











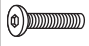





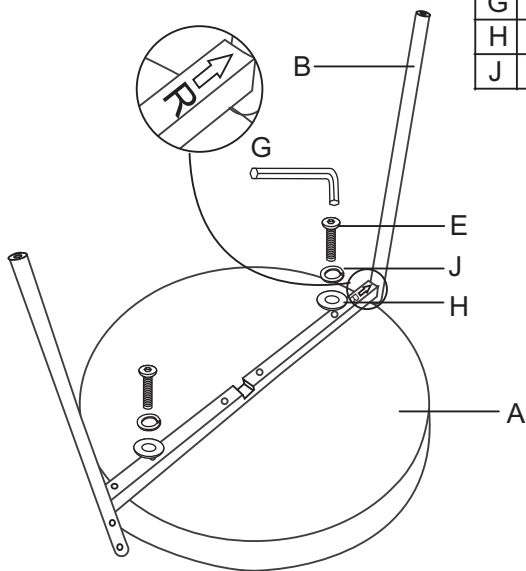


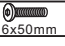



Ax1 	Bx1 	Cx1 	Dx1 
Ex4  6x50mm	Fx8  6x13mm	Gx1 	Hx8 
Ix4 	Jx8 	Kx4 	Lx1 

SPARE (Ersatzteile)

Ex1  6x50mm	Fx1  6x13mm	Hx1 	Ix1 	Jx1 	Kx1 	
--	--	--	--	--	--	--

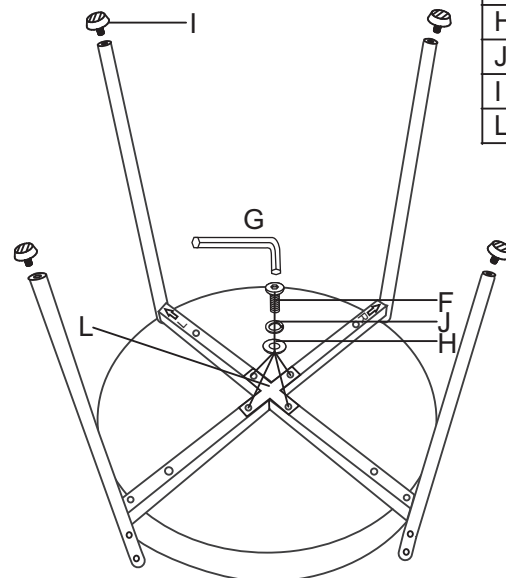
STEP1









E	 6x50mm	2
G		1
H		2
J		2



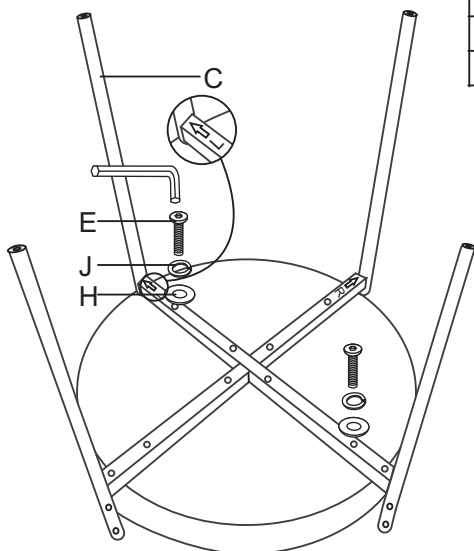
STEP3



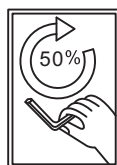
F	 6x13mm	4
G		1
H		4
J		4
I		4
L		1



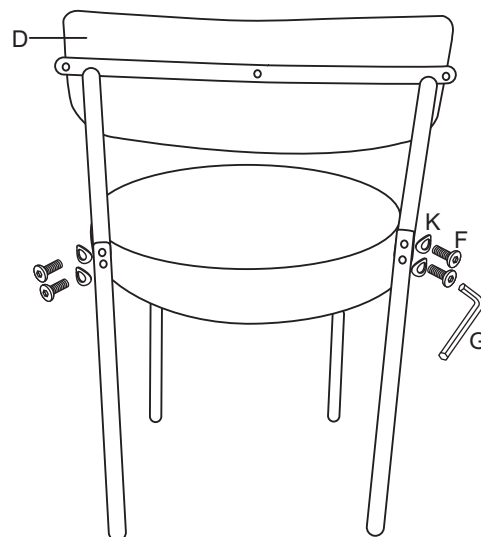
STEP2

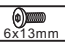

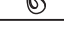


E	 6x50mm	2
G		1
H		2
J		2



STEP4



F	 6x13mm	4
G		1
K		4

