
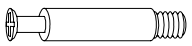



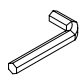




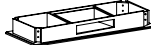
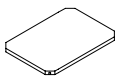

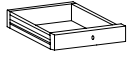

TABLE WITH DRAWER AND SHELF



HARDWARE LIST

CODE	NAME	FIGURE	Q'TY
A	CAM LOCK (15*9mmL)		4PCS
B	CAM BOLT (6.5*35mmL)		4PCS
C	ALLEN SCREW (Ø1/4*50mmL)		8PCS
D	WASHER (Ø1/4*16mmL)		8PCS
E	LOCK WASHER (Ø1/4*11*1.5mmL)		8PCS
F	ALLEN WRENCH (4*21*57mmL)		1PC
G	HANDLE		1PC
H	SCREW (Ø9*25mmL)		1PC

PARTS LIST

CODE	NAME	FIGURE	Q'TY
1	TOP PANEL		1PC
2	BOTTOM PANEL		1PC
3	LEG		4PCS
4	DRAWER		1PC
5	COLOR STICK		1PC



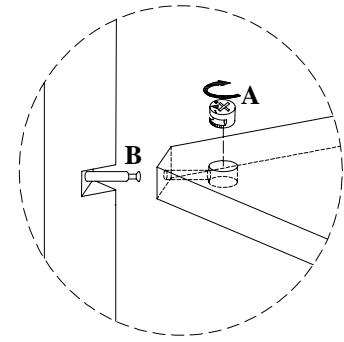
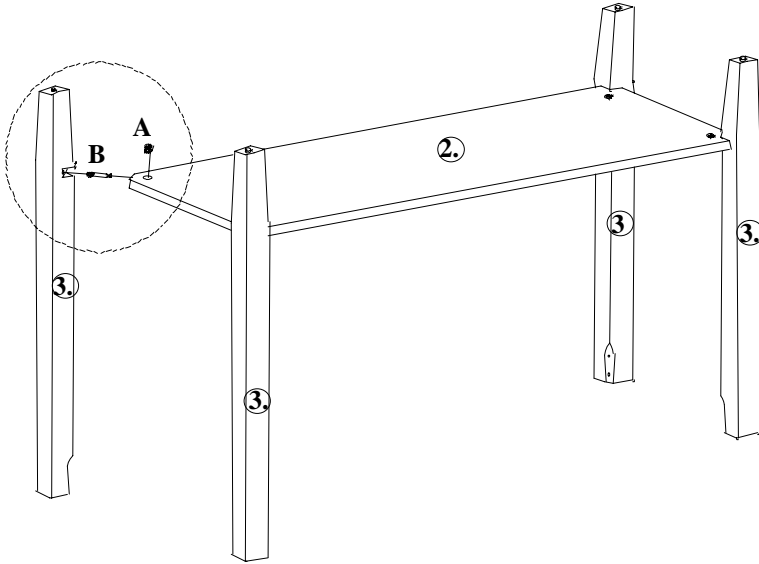
Please do not return to the store

. Broken or Missing Parts?

. Need help with Assembly?

If you have any questions just call or email us

1. SCREW CAMBOLTS (B) INTO LEGS (3) AND PLACE CAMLOCKS (A) INTO BOTTOM PANEL (2).

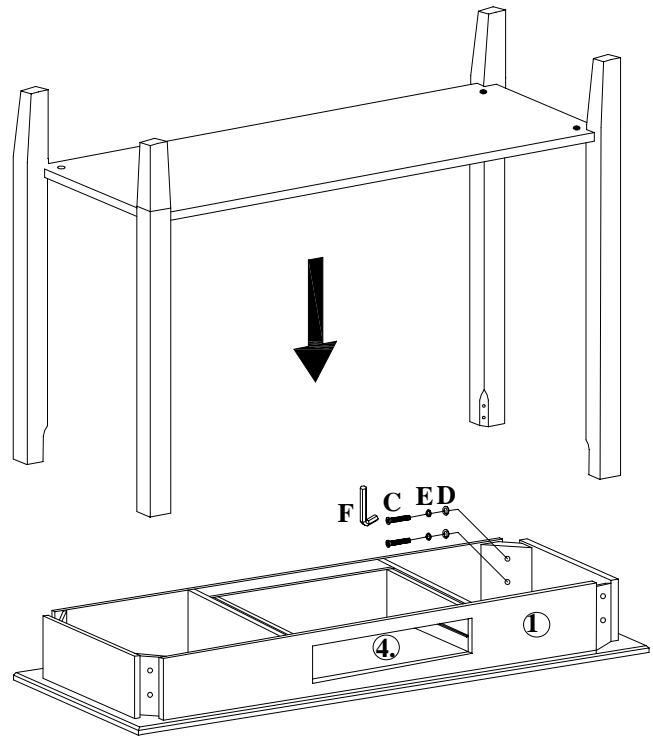


*ARROW ON CAMLOCK FACES SCREW HOLE.
INSERT LEG AND LOCK INTO POSITION
BY TURNING CAMLOCK CLOCKWISE

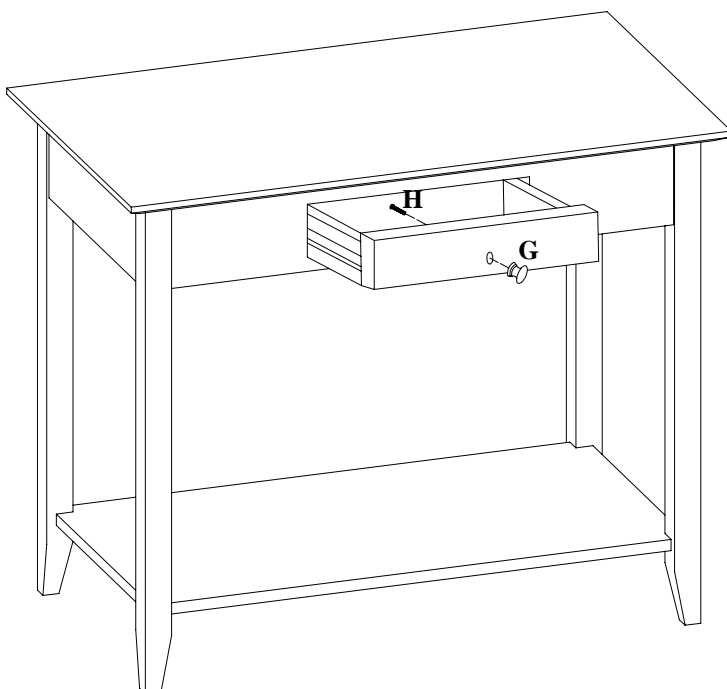
HARDWARE
NEEDED

A x 4
B x 4

STEP 1



2. PLACE LEG ASSEMBLY ONTO
TOP PANEL (1) AND FASTEN WITH ALLEN
SCREWS (C) AND WASHERS (D) AND (E).



HARDWARE
NEEDED

C x 8
D x 8
E x 8
F x 1

STEP 2

HARDWARE
NEEDED

G x 1
H x 1

STEP 3