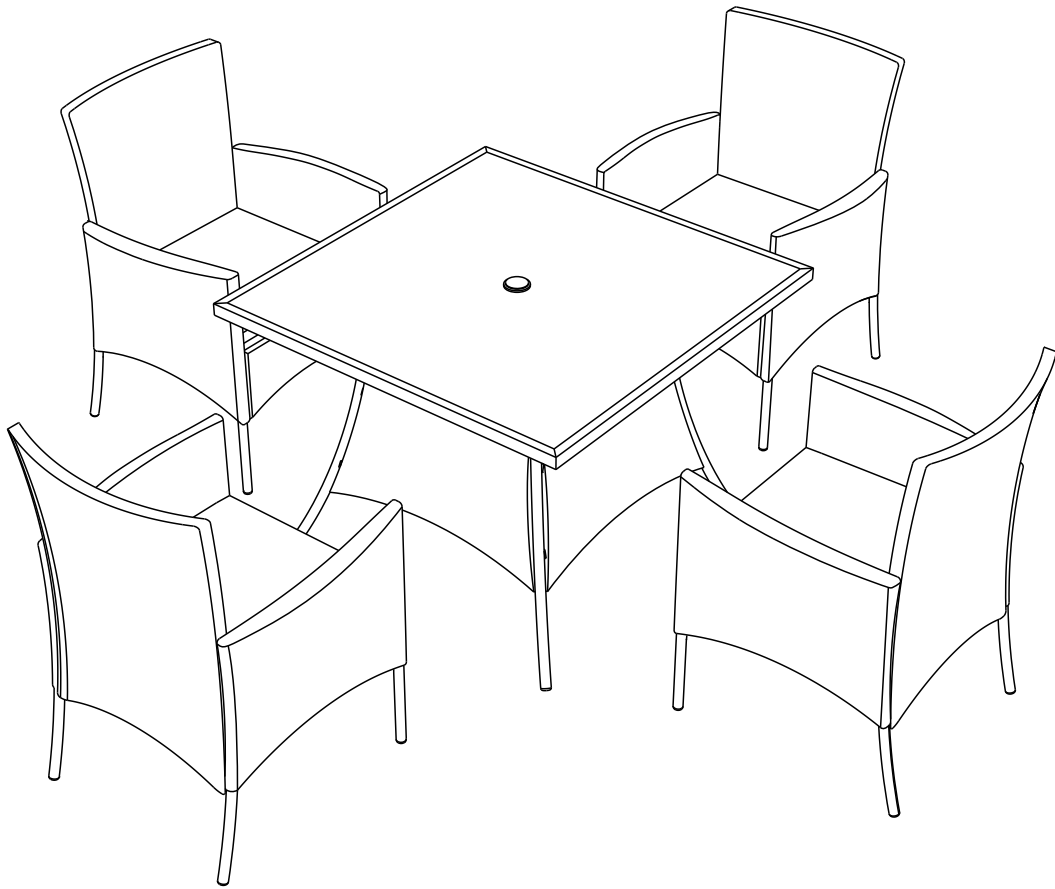
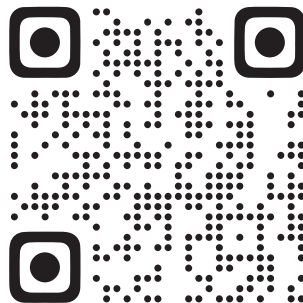




Dining Table and Chairs 5 Piece Set



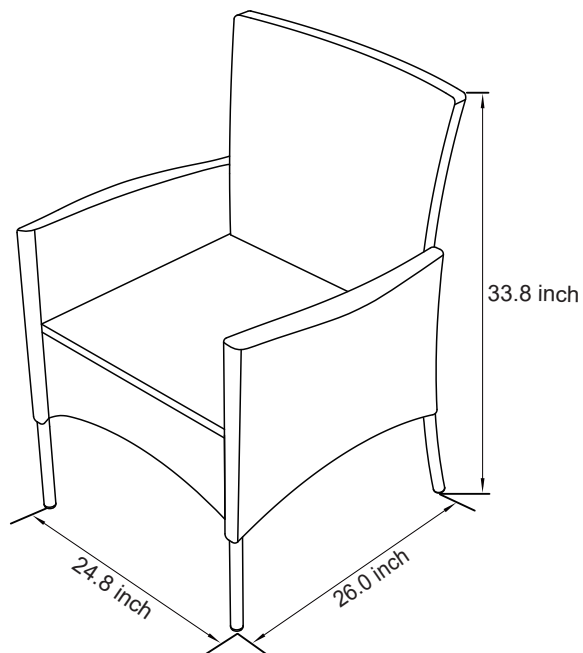
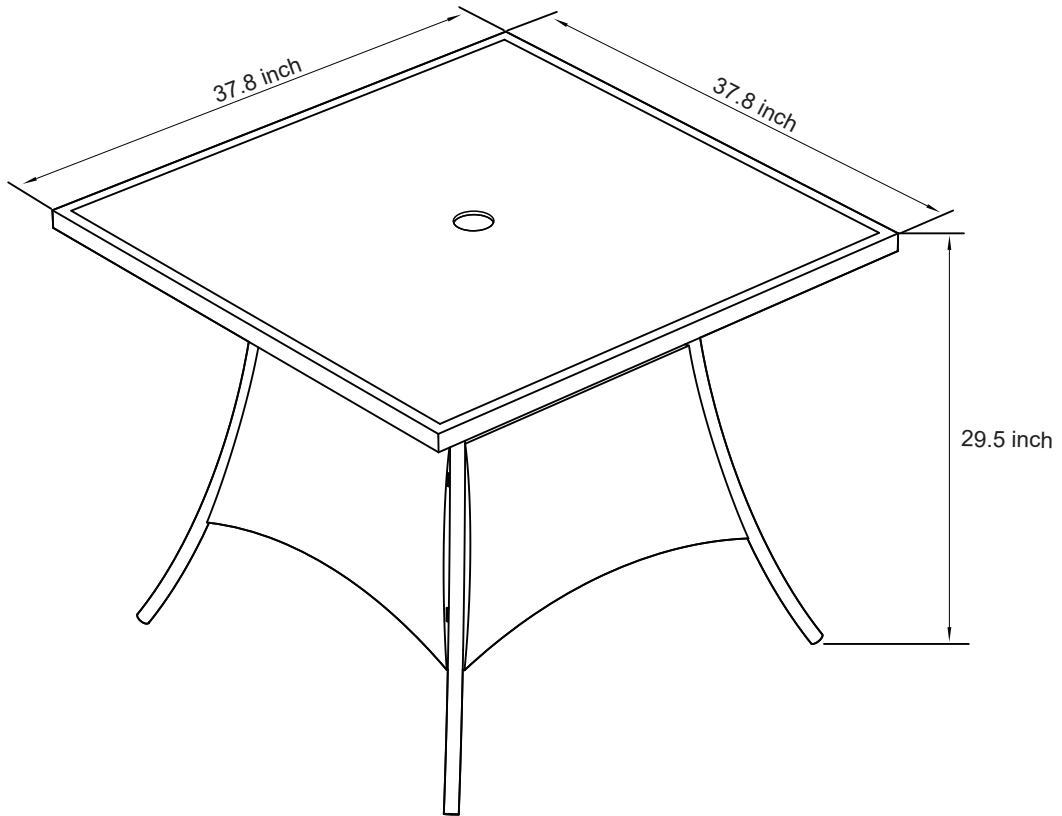
Model:P2605



Scan the QR code to learn more about our product.



SPECIFICATIONS





WARNINGS

Not for Children

This sofa set is intended for adult use only. Avoid allowing children to play or climb on the furniture to reduce the risk of injury.

No Standing on Furniture

The furniture is designed for sitting only. Do not stand, jump, or place excessive weight on the armrests or backrests.

Avoid Modifications

Do not modify or attempt to repair the sofa set. Contact customer service for any necessary repairs or replacement parts.

Important Safety Information

Choking Hazard: Keep packaging materials, small parts, and screws away from children. This product contains parts that could be harmful if swallowed.

Adult Supervision: Always supervise children around the furniture, especially when playing or climbing.

Stable Surface: For safety and stability, ensure the sofa set is placed on a level, stable surface. Avoid placing it on uneven or slippery ground.

Weight Limit: Please do not exceed the recommended weight capacity for each seating unit and table

to prevent damage. Refer to the product's weight specifications for more details.

Cushion Safety: Ensure that cushions are securely in place before using the furniture. Avoid using the product if any cushions are damaged or misplaced.

Protect from Weather: Although the rattan material is designed for outdoor use, we recommend covering the sofa set or moving it to a sheltered area during heavy rain, snow, or extreme sunlight exposure to protect the cushions and prolong the life of the set.

Proper Assembly: Always ensure that all components are properly assembled and that all screws and bolts are tightened securely before use. Check for loose screws periodically.

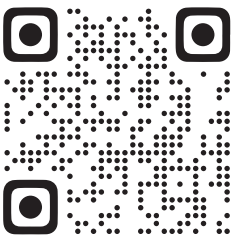


CONTENTS

Important.....	1
Packing List.....	4
Parts List.....	6
Installation.....	7
Sofa cover washing instruction.....	17
Maintenance and Care.....	17

CONTACT US

If you have any questions or concerns regarding our product, please don't hesitate to contact our customer service team at [service@outsofas.com]. We are committed to providing excellent service and ensuring your satisfaction.



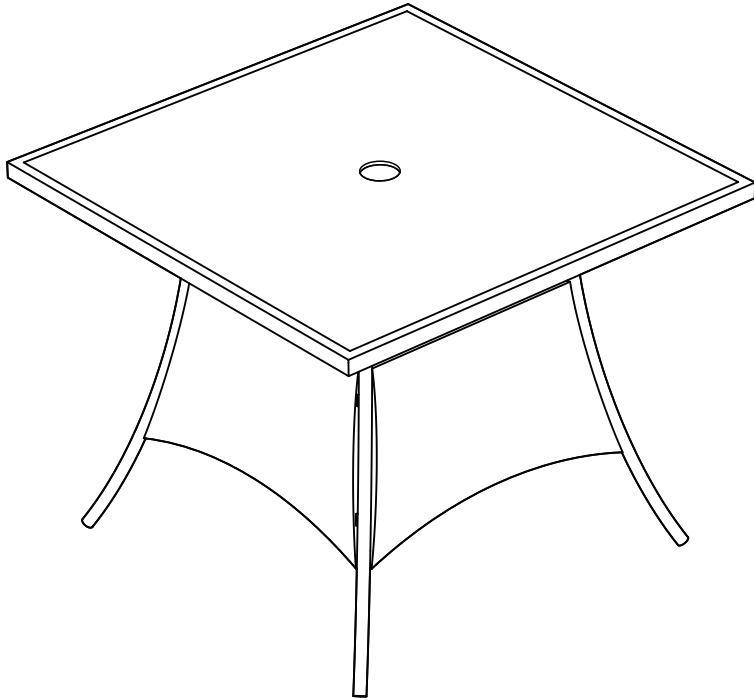
Scan The Qr Code And Click The  Chat Button To Contact us.

Web:www.outsofas.com

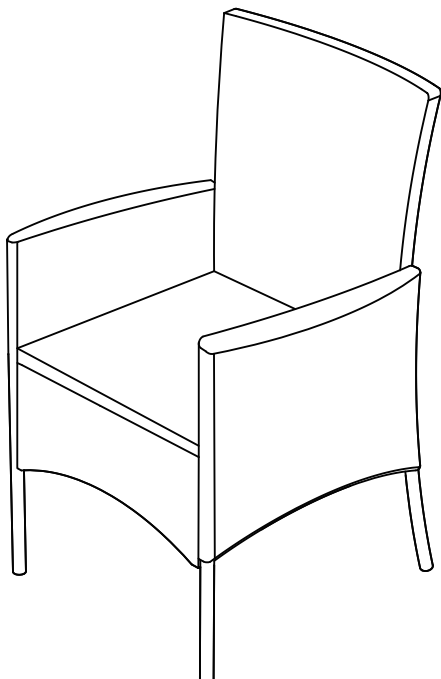
E-mail:service@outsofas.com



Packing List



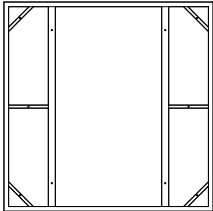
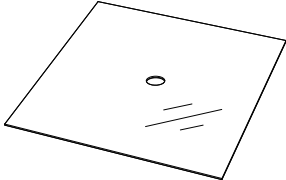
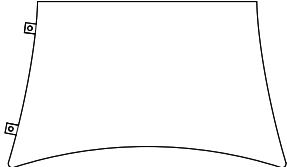


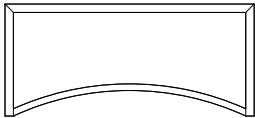
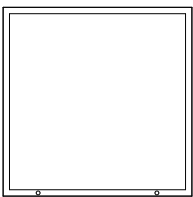
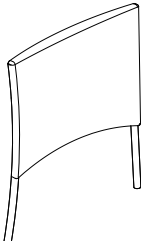
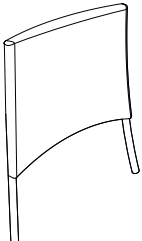
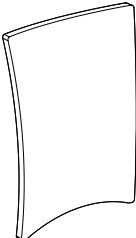
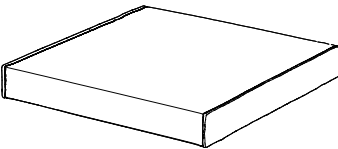
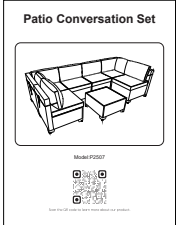
Dining Table



Dining Chairs Set x4

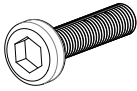
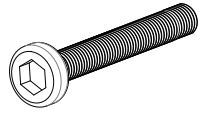
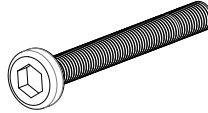
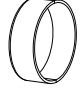
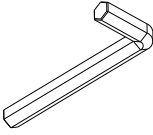
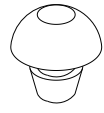
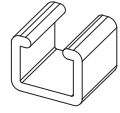
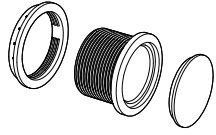
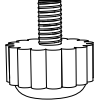


Parts List

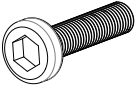
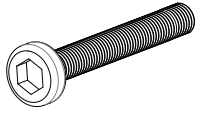
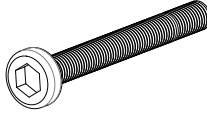
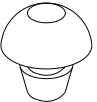
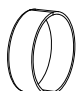
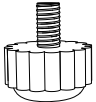
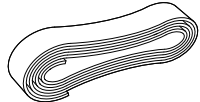
<p>(A) × 1</p> 	<p>(B) × 1</p> 	<p>(C) × 4</p> 
<p>Desktop</p>	<p>Table Glass</p>	<p>Dining Table Stopper</p>
<p>(D) × 4</p> 	<p>(E) × 1</p> 	<p>(F) × 4</p> 
<p>Table Legs</p>	<p>Metal Fixings</p>	<p>Chair Front Baffle</p>
<p>(G) × 4</p> 	<p>(H) × 4</p> 	<p>(I) × 4</p> 
<p>Chair Base Plate</p>	<p>Left Armrest</p>	<p>Right Armrest</p>
<p>(J) × 4</p> 	<p>(K) × 4</p> 	<p>Instruction × 1</p> 
<p>Backrest</p>	<p>Cushions</p>	<p>Instruction</p>



Screw Set

<p>(L) × 8</p>  <p>Bolt M6×15</p>	<p>(N) × 52</p>  <p>Bolt M6×35</p>	<p>(O) × 8</p>  <p>Bolt M6×40</p>	<p>(T) × 8</p>  <p>M6 Gaps</p>
<p>(P) × 2</p>  <p>Spanner</p>	<p>(Q) × 10</p>  <p>Glass Mat</p>	<p>(R) × 2</p>  <p>U-Shaped Connector</p>	<p>(S) × 1</p>  <p>Plastic Fixings</p>
<p>(U) × 20</p>  <p>Feet</p>			

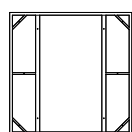
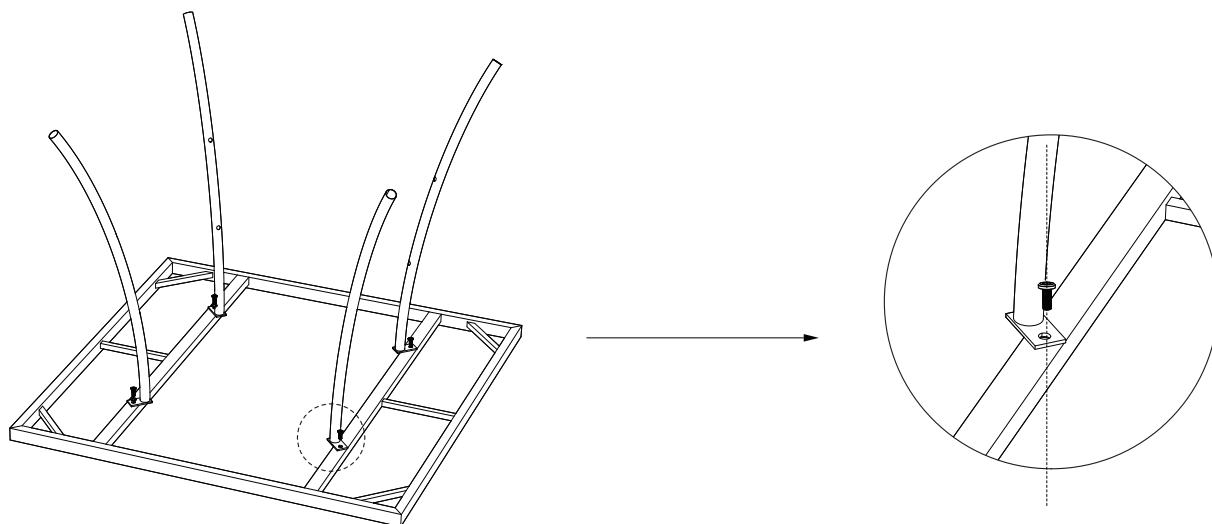
Extra

<p>(L) × 2</p>  <p>Bolt M6×15</p>	<p>(N) × 4</p>  <p>Bolt M6×35</p>	<p>(O) × 2</p>  <p>Bolt M6×40</p>	
<p>(Q) × 4</p>  <p>Glass Mat</p>	<p>(T) × 2</p>  <p>M6 Gaps</p>	<p>(U) × 3</p>  <p>Feet</p>	<p>× 1</p>  <p>Rattan</p>



Step 1: Rotate the table leg(D) 45° and use the screws(L) to connect the leg to the desktop(A).

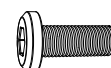
NOTE: Do not tighten all screws now.



(A) × 1



(D) × 4

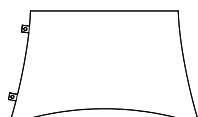
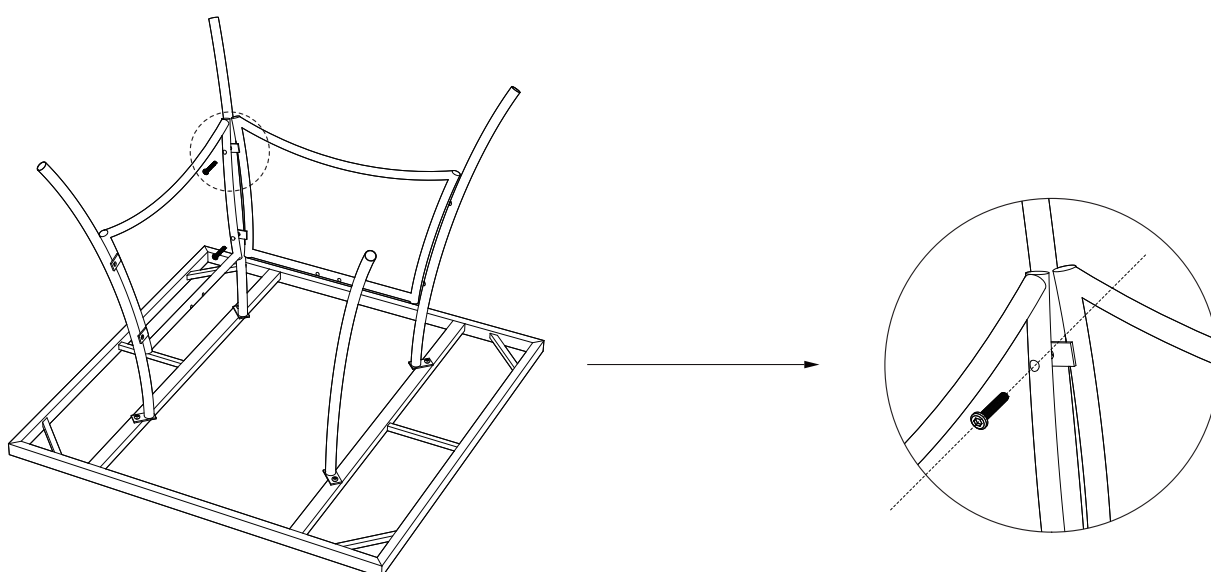


M6x15

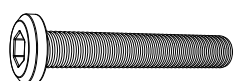
(L) × 4

Step 2: Place the lugs of the table stopper(C) between the other stopper and the table leg(D), and connect them with screws(N).

NOTE: Do not tighten all screws now.



(C) × 2

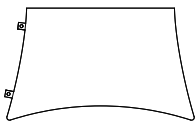
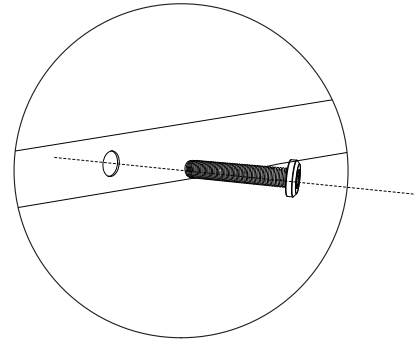
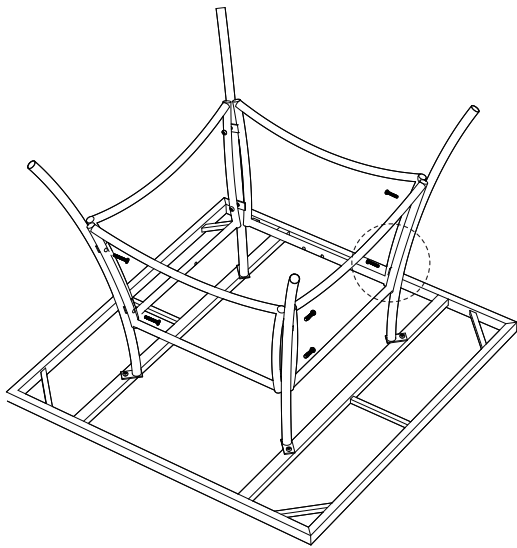


M6x35

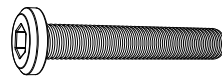
(N) × 2



Step 3: Connect the other three stoppers(C) with screws(N).
NOTE:Do not tighten all screws now.



(C) × 2

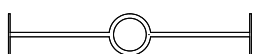
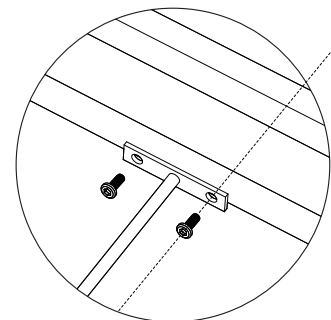
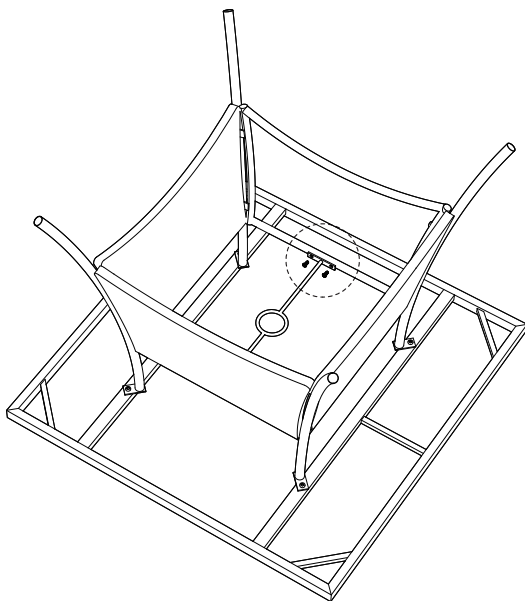


M6x35

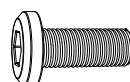
(N) × 6

Step 4: Connect the metal fixings(E) to the table stopper(C) with screws(L).

NOTE:Please check all accessories are correct, then tighten all screws now.



(E) × 1

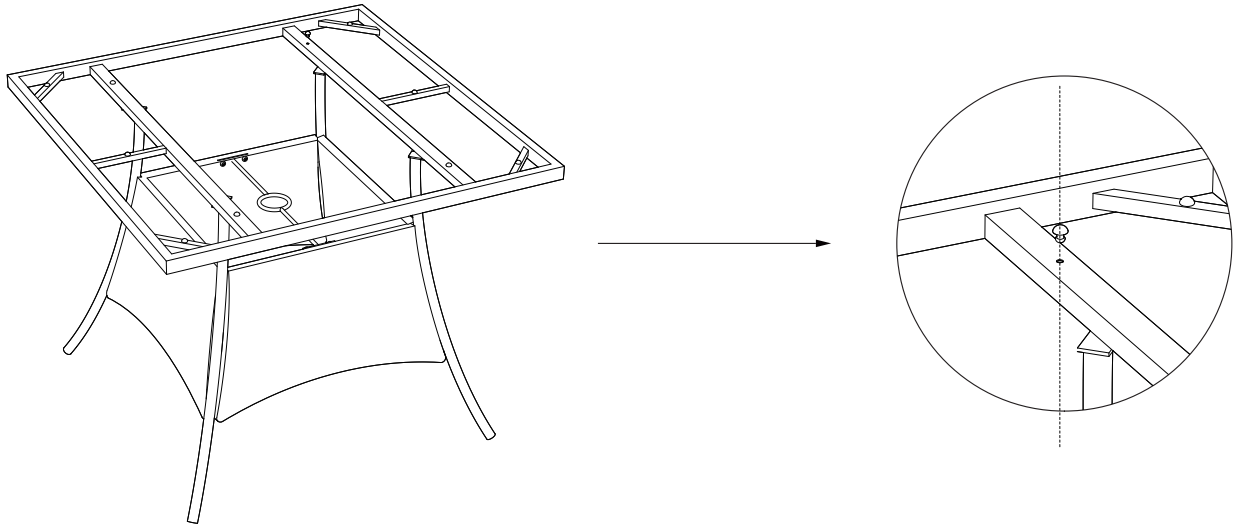


M6x15

(L) × 4

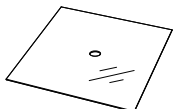
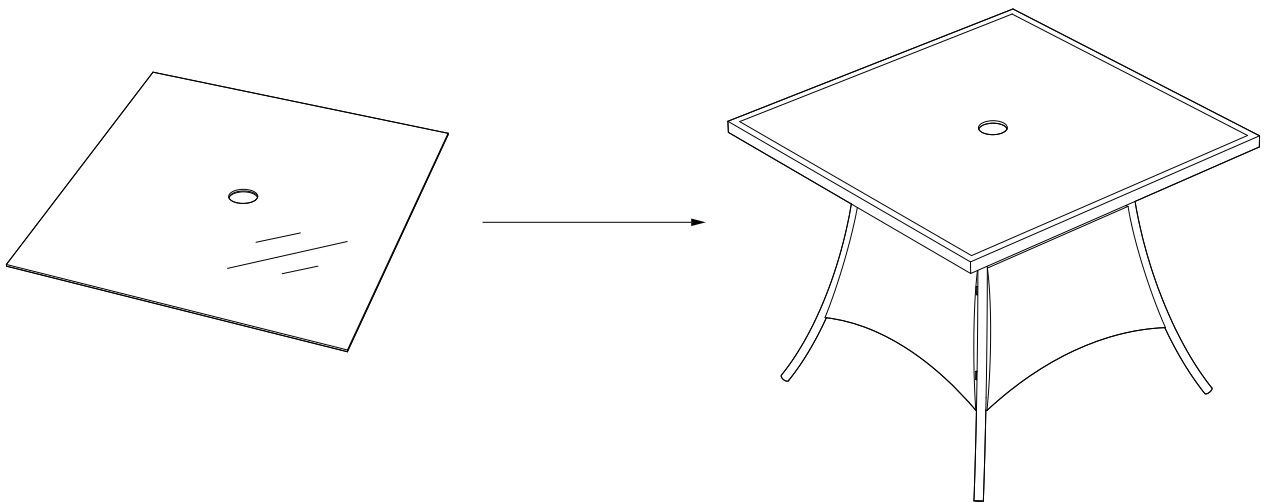


Step 5: Place the glass pad(Q) on the metal piece of the desktop(A).



Ⓚ × 10

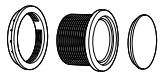
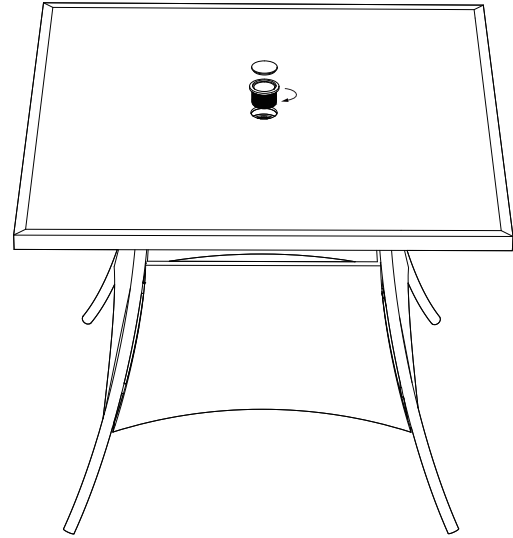
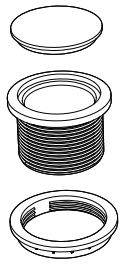
Step 6: Place the table glass(B) on the surface of the desktop.



Ⓚ × 1



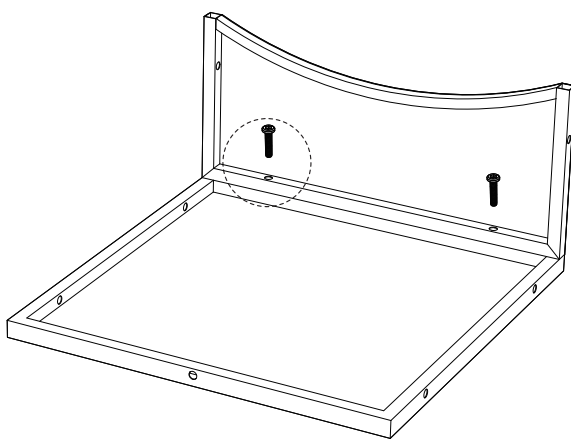
Step 7: Insert the plastic fixing(S) into the glass hole and screw to lock it tightly, cover with the lid.



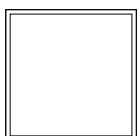
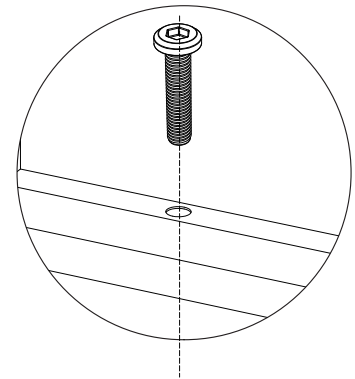
(S) × 1

Step 8: Connect the chair front baffle(F) and the base plate(G) with screws(N).

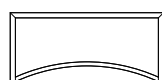
NOTE: Do not tighten all screws now.



(x4)



(G) × 1



(F) × 1

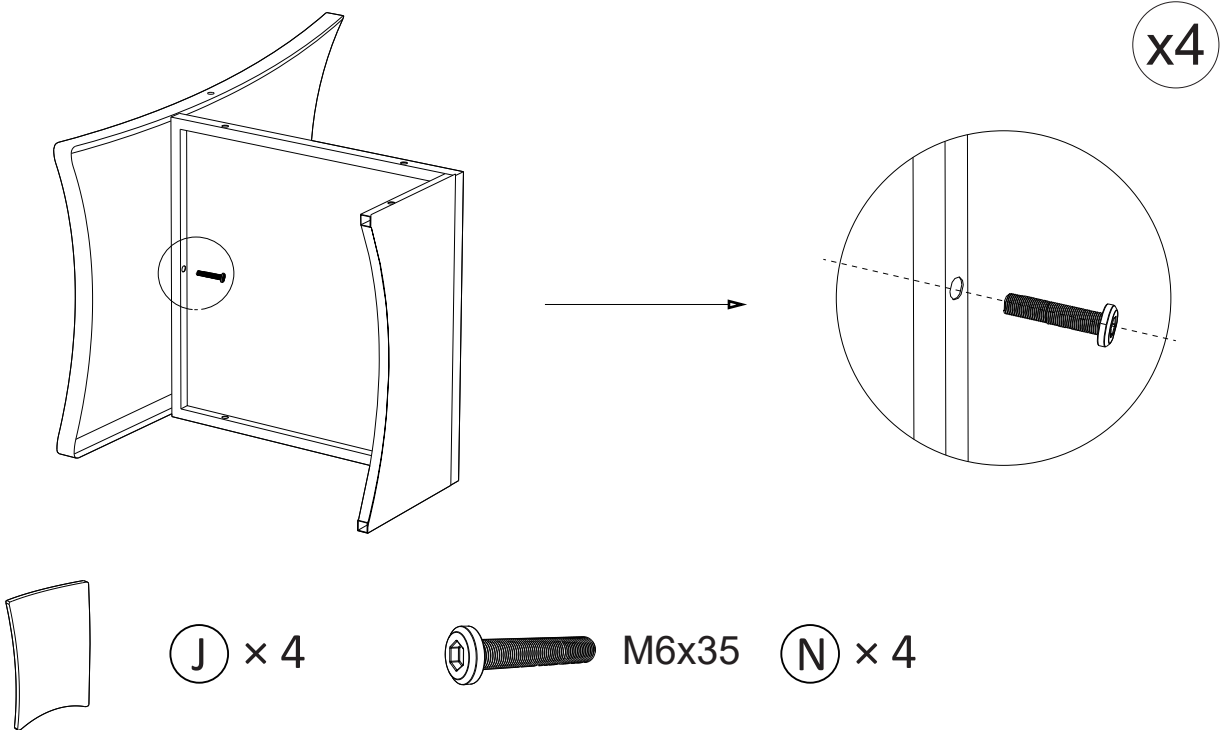


(N) × 8



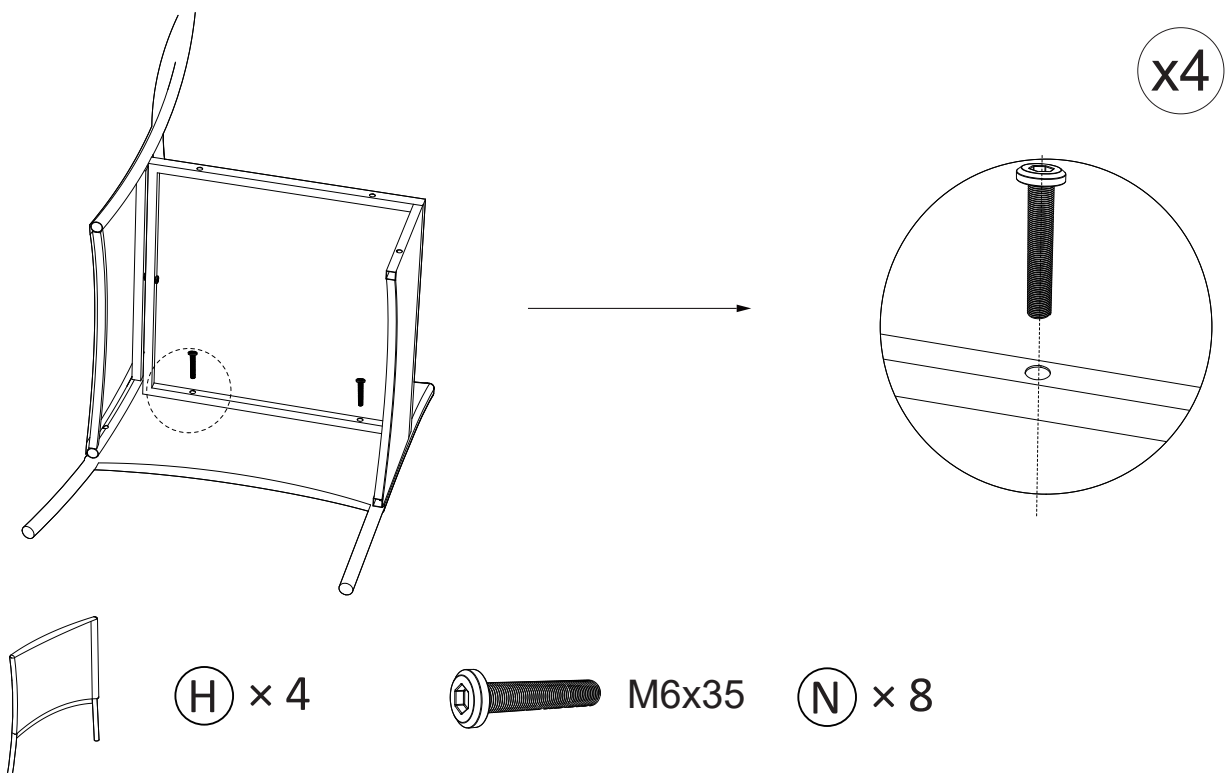
Step 9: Connect the chair base plate(G) and backrest(J) with screws(N).

NOTE: Do not tighten all screws now.



Step 10: Connect the backrest(J) and left armrest(H) with screws(N), and then connect the front baffle of the chair(F) and the left armrest(H) with screws(N).

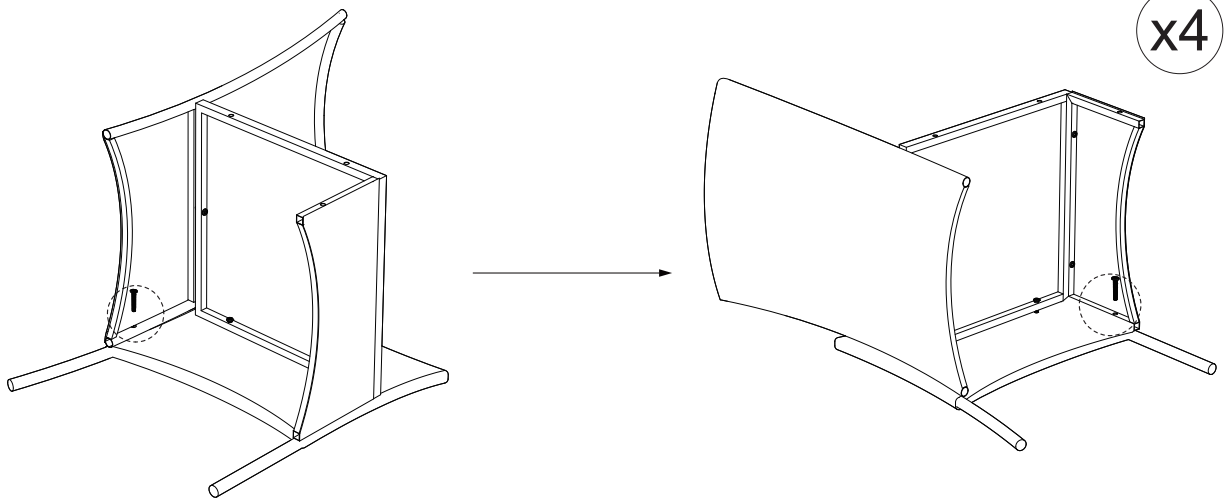
NOTE: Do not tighten all screws now.





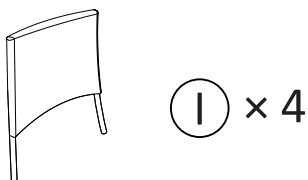
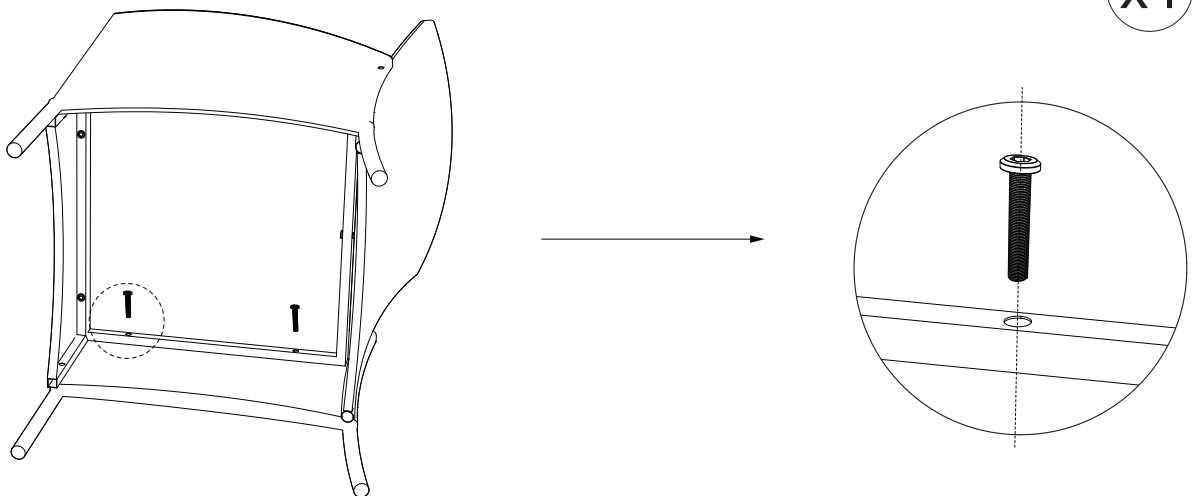
Step 11: Connect the backrest(J) and left armrest(H) with screws(N),and then connect the front baffle of the chair(F) and the left armrest(H) with screws(N).

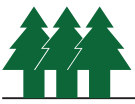
NOTE:Do not tighten all screws now.



Step 12: Connect the bottom of the chair(G) and the right armrest(I) with screws(N).

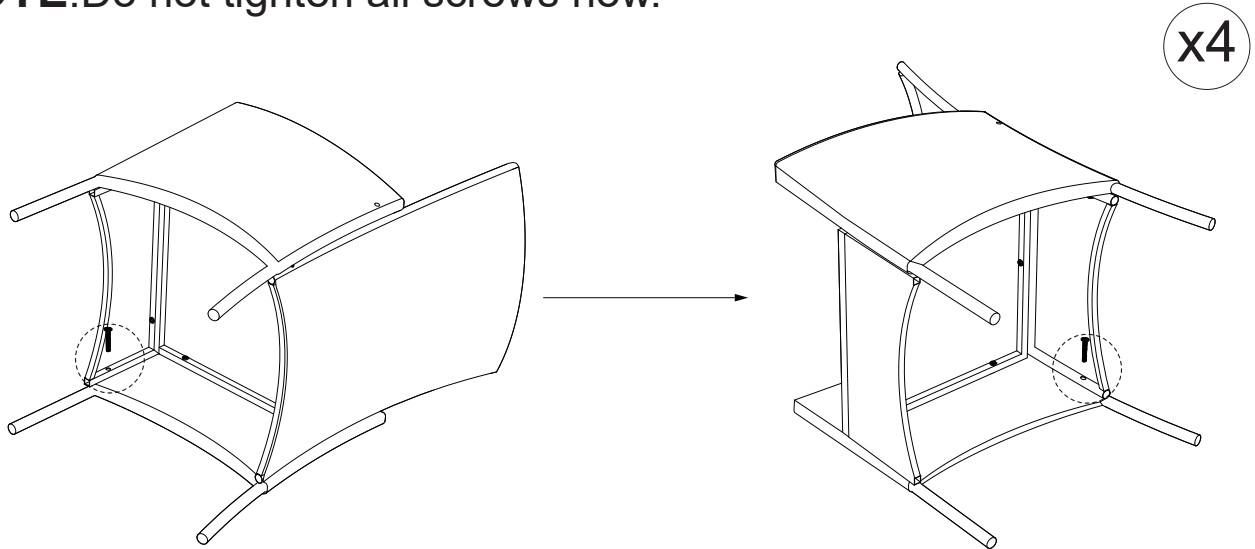
NOTE:Do not tighten all screws now.





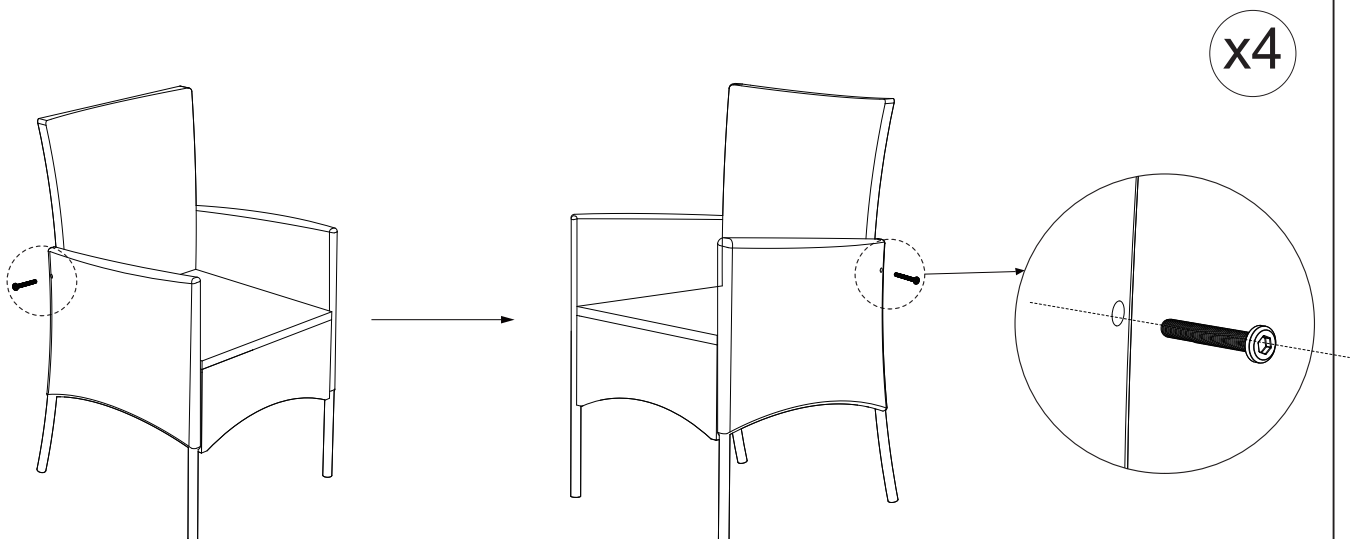
Step 13: Connect the front baffle of the chair(F) and the right armrest(I) with screws(N),and then connect the backrest(J) and right armrest(I) with screws(N).

NOTE:Do not tighten all screws now.



Step 14: Connect the backrest(J) and the armrest(H and I) with screws(O).

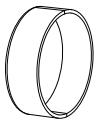
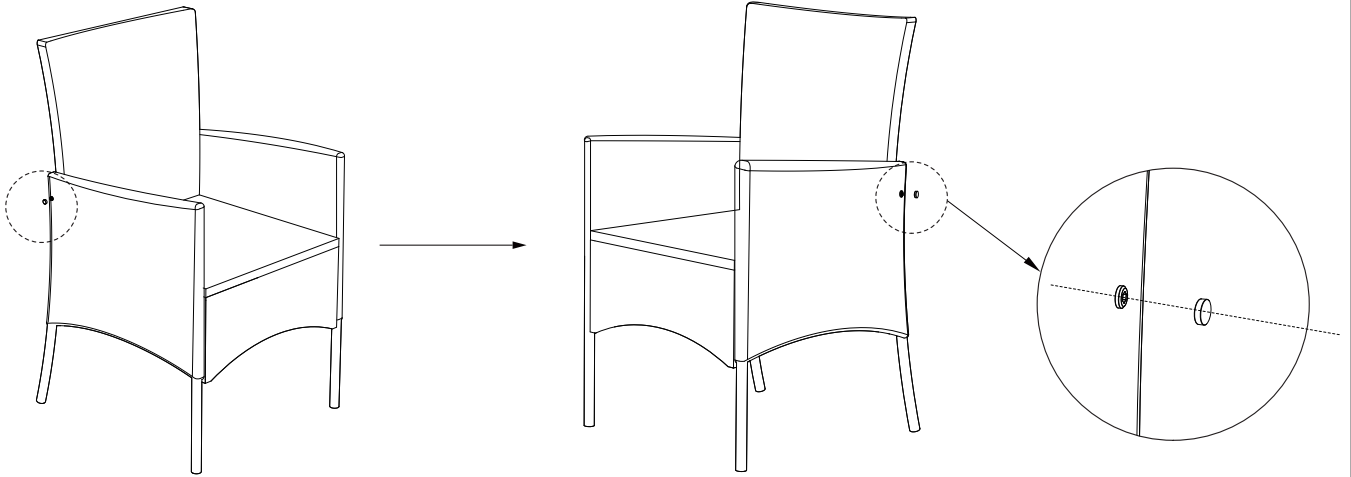
NOTE:Please check all accessories are correct, then tighten all screws now.





Step 15: Attach the caps(T) to the screws(O).

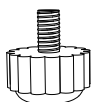
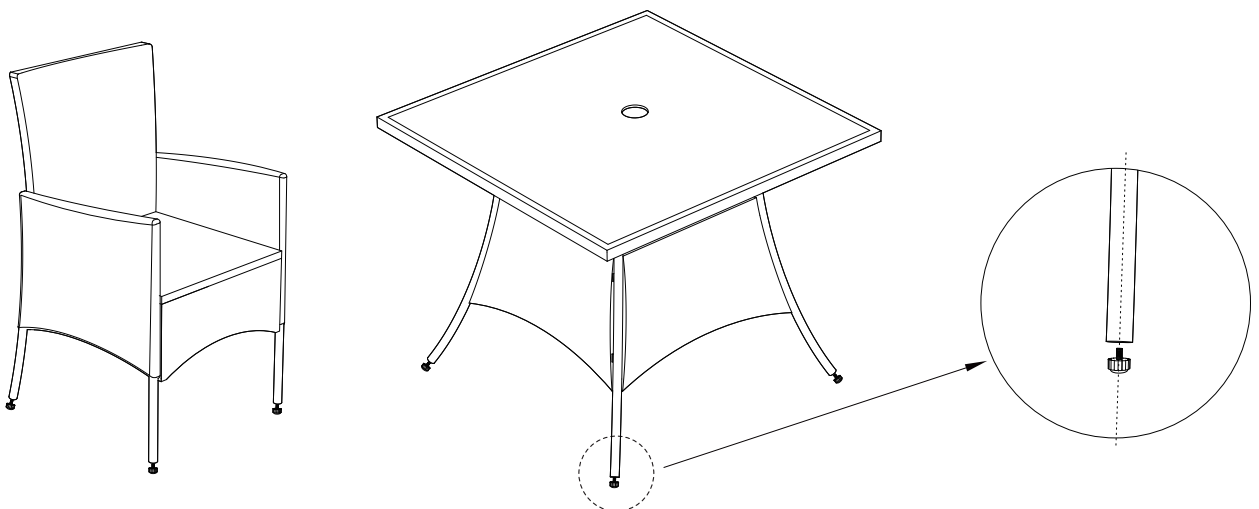
x4



(T) x 8

Step 16: Tighten the feet(U) into the chair leg tube and table leg tube.

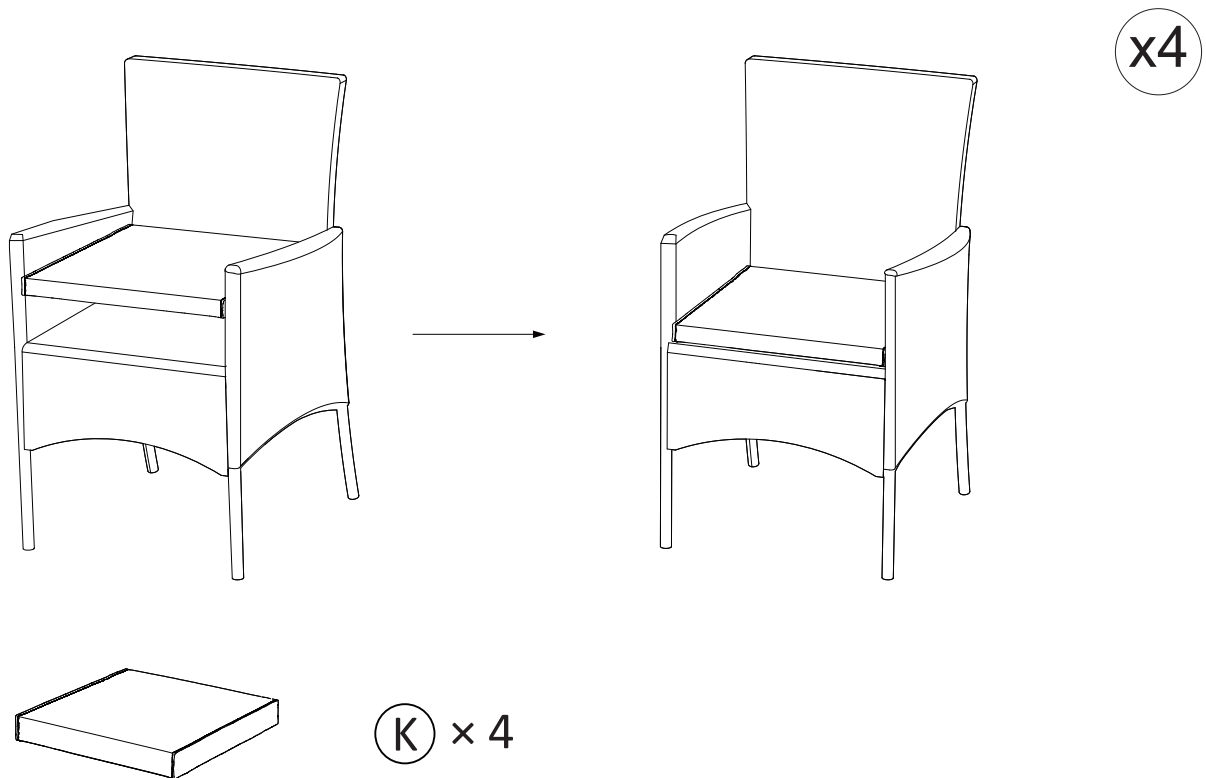
NOTE: If the floor is not level, you can adjust the feet to match the level. If the feet fall off they can be rotated and tightened.



(U) x 20

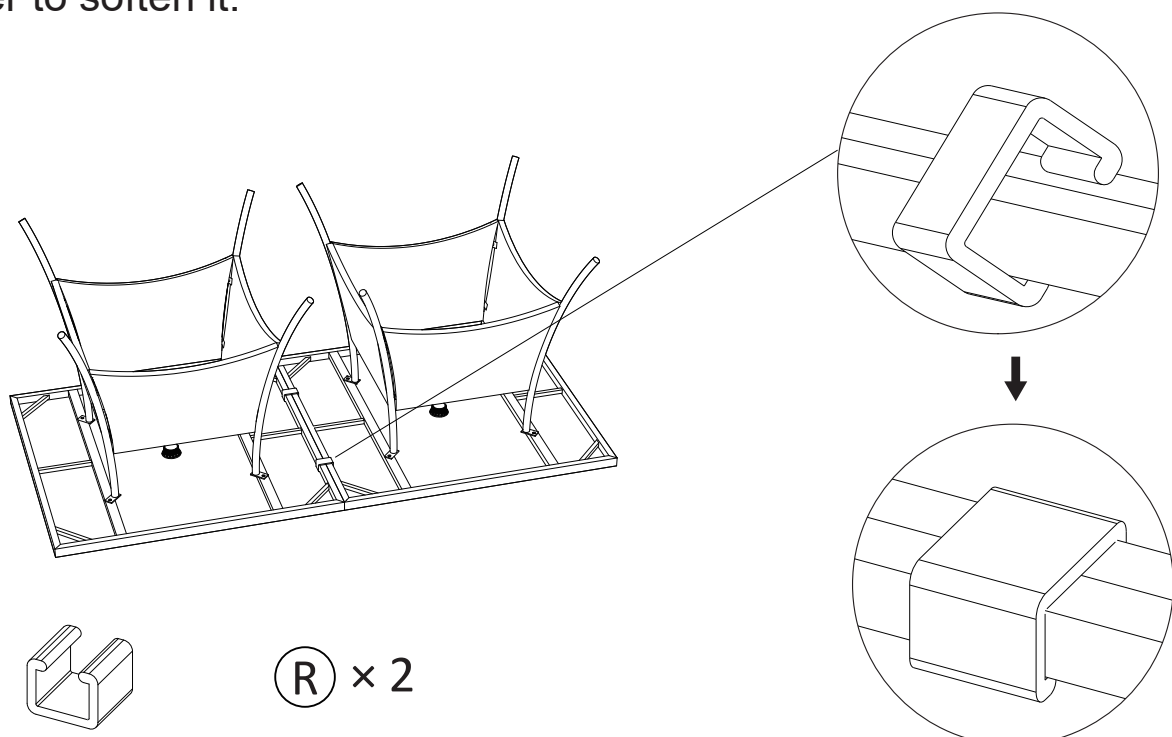


Step 17: Place the cushions(K) on the seat.



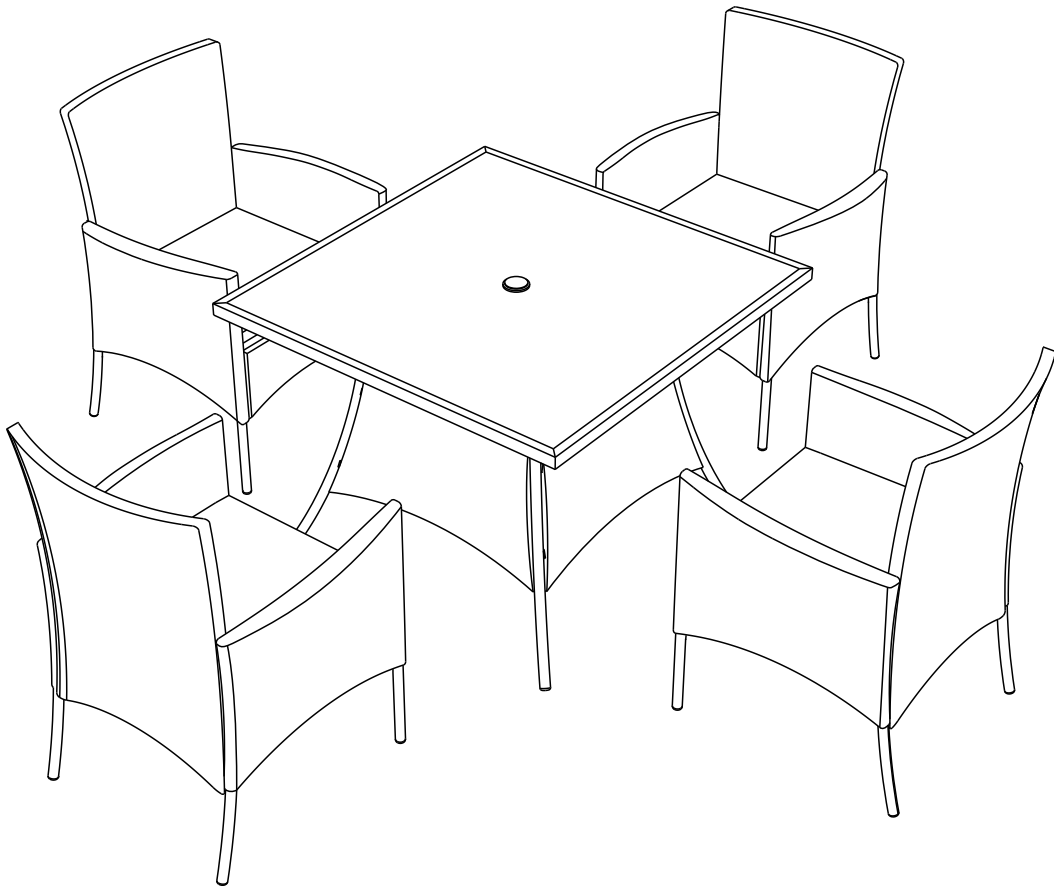
Step 18: Upside down two tables, use the snap(R) to snap the two tables tight.

Notice: Do not use tools such as hammers; You can scald it with boiling water to soften it.





Installation completed





Sofa cover washing instruction



Seat Cushion



Take the cushion insert out of the fabric cover



Wash the cloth cover after removing it

Maintenance and Care

Cleaning

For the rattan frame, use a damp cloth to clean off dust, dirt, or stains. Avoid using harsh chemicals, abrasive cleaners, or scrubbers.

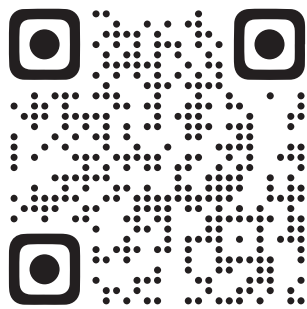
For the cushions and pillows, follow the care instructions on the covers. Wash removable covers in cold water, and for non-removable covers, spot clean with mild soap and water.

Storage

If the sofa set is not in use for extended periods, cover the furniture or store it indoors in a dry, cool location to prevent damage from weather or dirt.

Inspection:

Regularly check the furniture for any loose parts, wear, or damage. Tighten screws and bolts as needed, and replace any damaged components promptly.



Scan the QR code to learn more about our product.