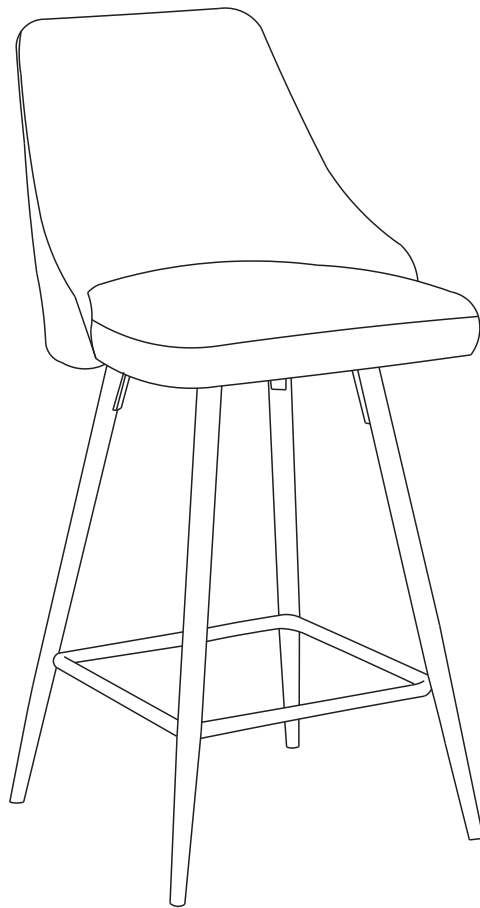


# CHAIR

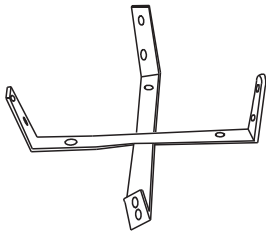


ASSEMBLY MANUAL

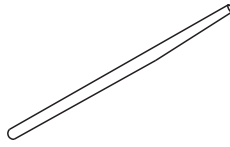
## **WARNING:**

**Manufacturer and seller expressly disclaim any and all liability for personal injury, property damage or loss, whether direct, indirect, or incidental, resulting from the incorrect attachment, improper use, inadequate maintenance, or neglect of this product.**

The parts and hardware below have been included for assembly:



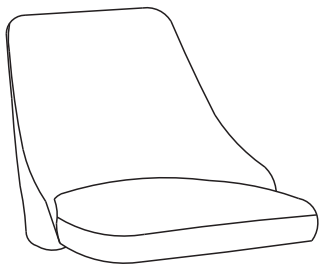
**(A)x1**



**(B)x4**



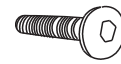
**(C)x1**



**(D) x1**



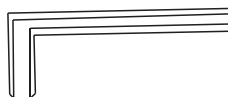
**(E) x 4**



**(F)x8**



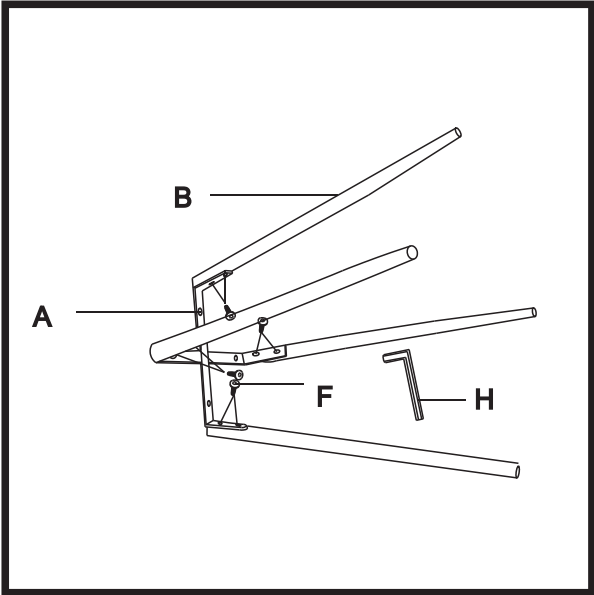
**(G)x4**



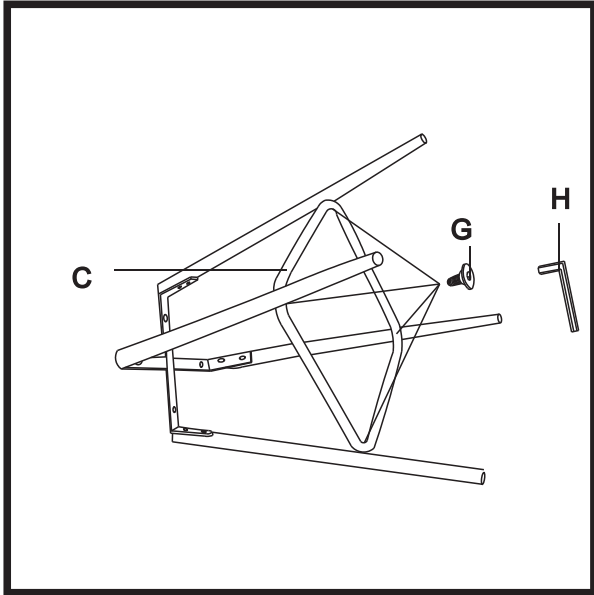
**(H)x1**

ASSEMBLY STEPS:

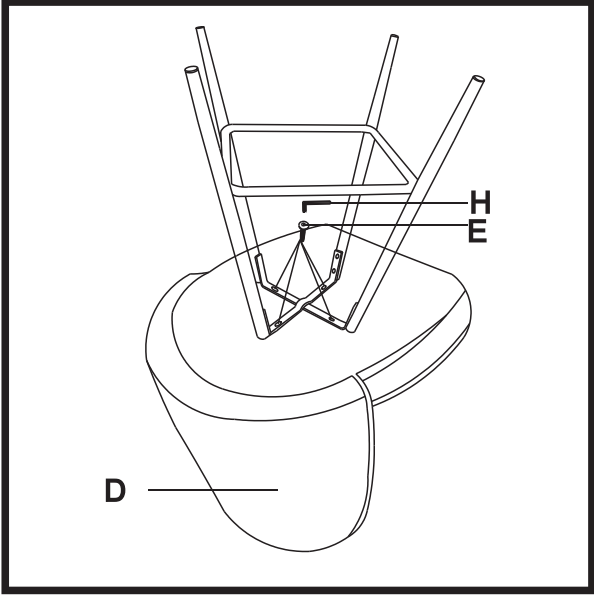
1



2



3



4

