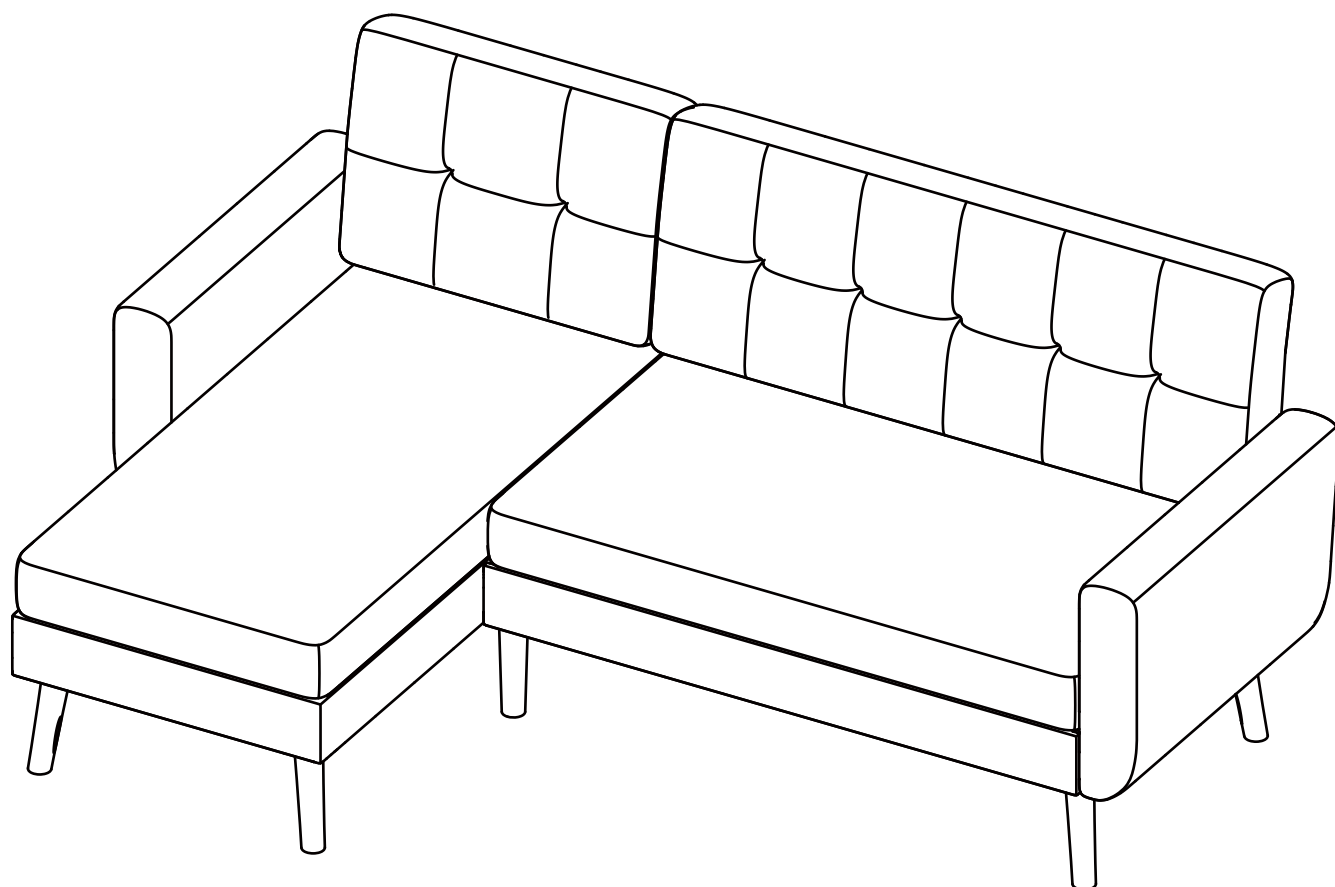


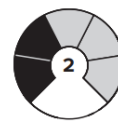
ASSEMBLY INSTRUCTIONS



TIME



2 OF PEOPLE



DIFFICULTY

NOTICE

Instruction Booklet - Important Safety Information

Thank you for choosing our product. Please review this booklet carefully for essential safety information and keep it for future reference.

- Upon receiving the product, **ensure all parts are present and intact** before proceeding with installation. Follow the entire installation instructions provided.
- During installation, exercise caution and refrain from immediately tightening screws. Secure all screws to 80% before final tightening.
- Note: Cushions are **compressed** and cannot be recompressed once opened.

Returns are accepted only for items in their **original, unopened condition**.

For assistance, contact our support team at xlmcustomerservice@gmail.com if you encounter the following issues:

- A. The outer box is damaged.
- B. The product is damaged/bent/cracked while you open the box.
- C. The parts/accessories/assembly tools are missing.
- D. The instructions are not clear and cannot be referred to.
- E. The product has functional problems.
- F. Other aspects that you are not satisfied with.

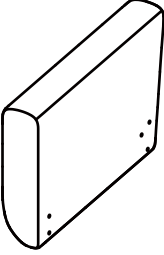
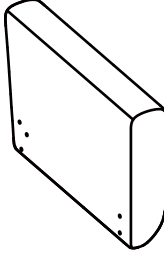
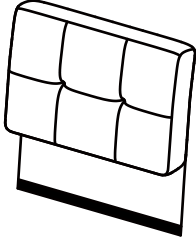
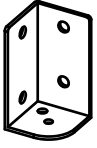


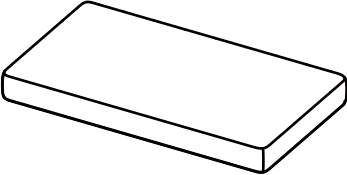
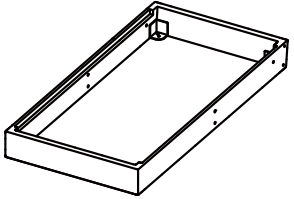

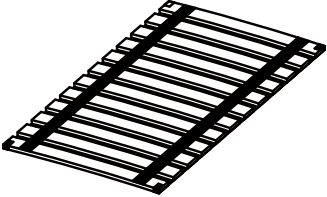

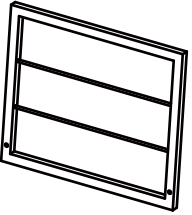
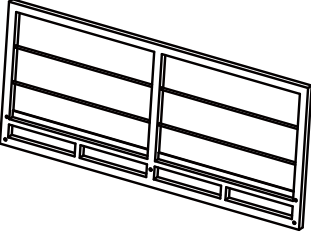
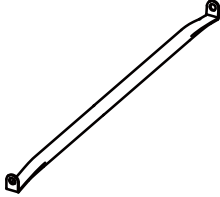
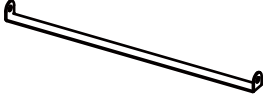
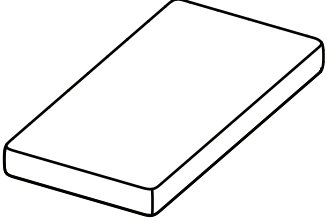
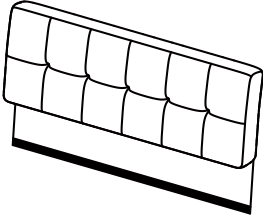


Your satisfaction is our priority, and we're here to assist you every step of the way.



Before installation, please check that the parts are all included !

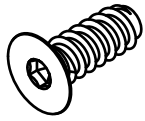
Carton A

Materials ▶

 <p>Left Armrest A-L*1</p>	 <p>Right Armrest A-R*1</p>	 <p>Princess Backpack B*1</p>	 <p>Front Metal C*2</p>
 <p>Left Rear Corner Iron D-L*1</p>	 <p>Right Rear Corner Iron D-R*1</p>	 <p>Double Seat Bag E*1</p>	 <p>Ornamental Seat Frame F*1</p>
 <p>Double Seat Front Panel G*1</p>	 <p>Princess Royal Spare Ribs Platter H*1</p>	 <p>Double-person Rib Plate I*2</p>	 <p>Carriage Of The Imperial Concubine J*1</p>
 <p>Double Shoulder Yoke K*1</p>	 <p>Double Bar L*1</p>	 <p>The Middle Support Of The Umbrella M*1</p>	 <p>Princess Seat Bag N*1</p>
 <p>Double Backpack O*1</p>	 <p>Straight Wood Foot P*2</p>	 <p>Sloping Wooden Foot Q*5</p>	

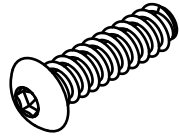
Carton A

Materials ▾



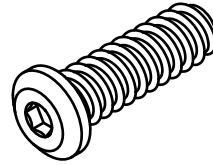
M6x20mm
Screws

a*16



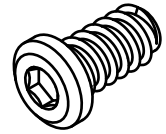
M6x50mm
Screws

b*5



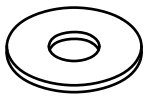
M8x40mm
Screws

c*5



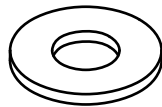
M8x16mm
Screws

d*3



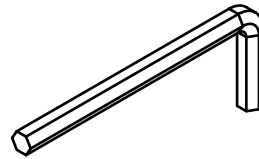
Ø6xØ16x1mm
Washer

e*2



Ø8xØ18x1.5mm
Washer

f*5

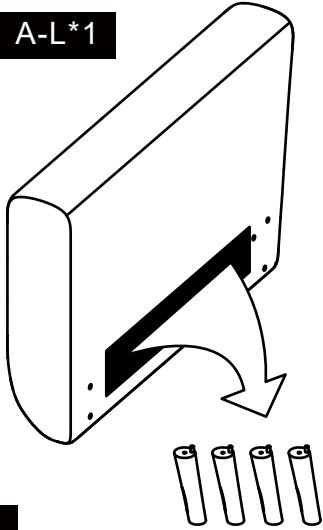


Allen Key

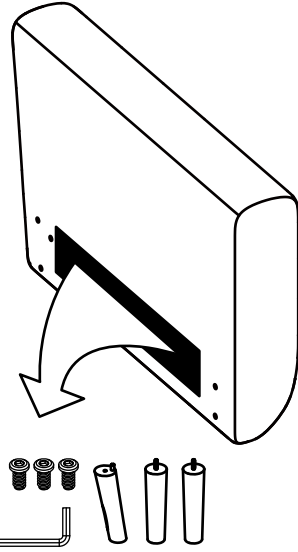
g*1

Installation Steps

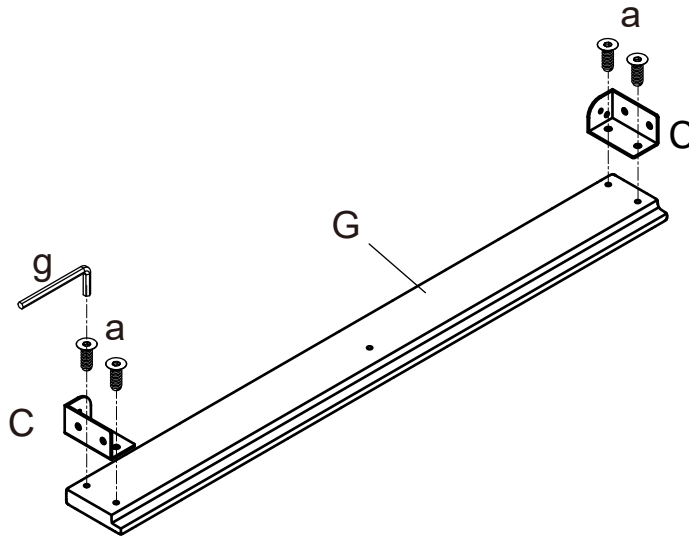
A-L*1



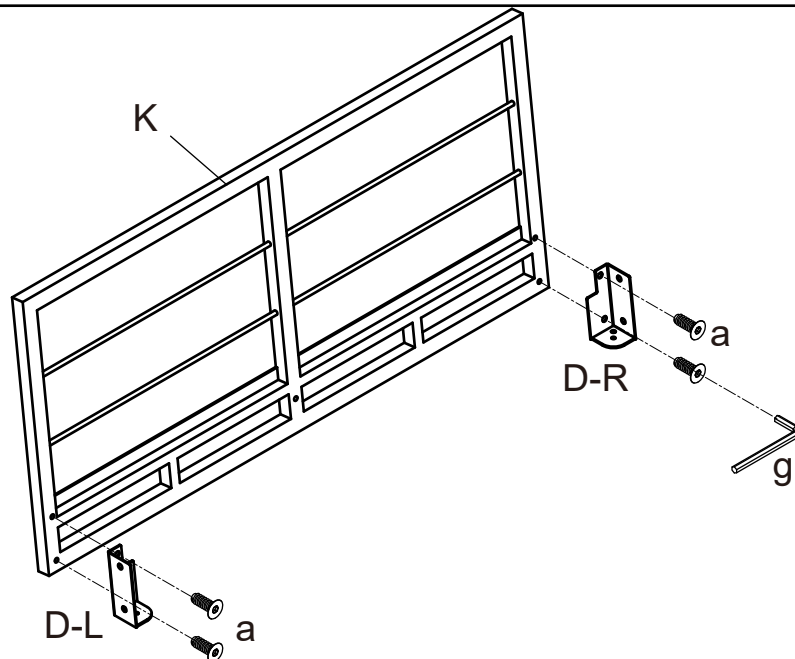
A-R*1



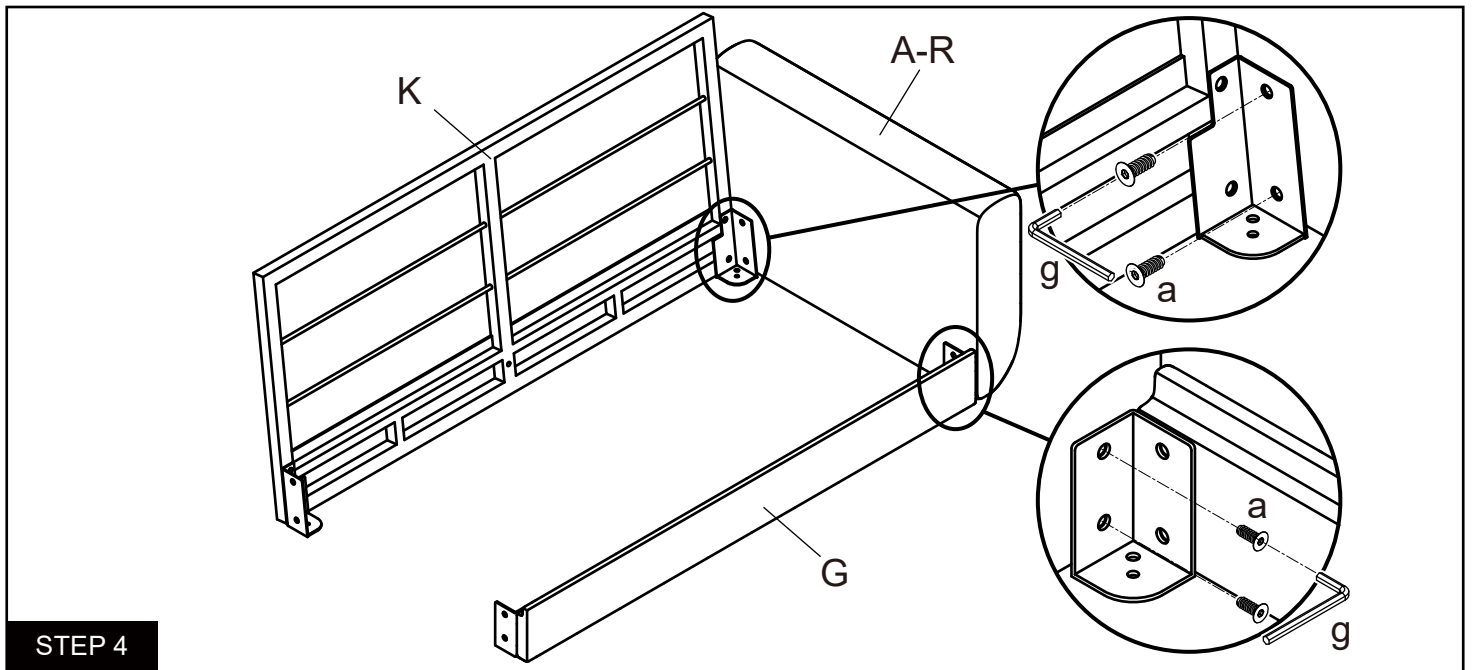
STEP 1



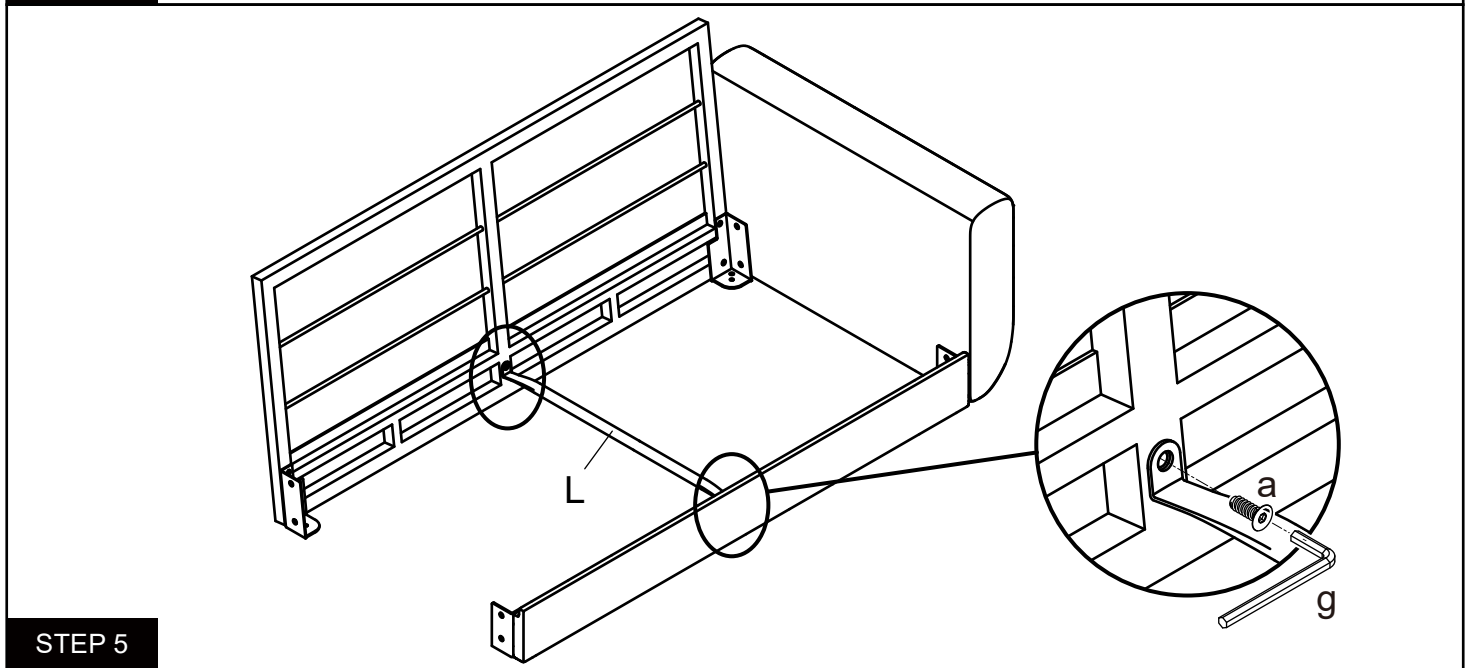
STEP 2



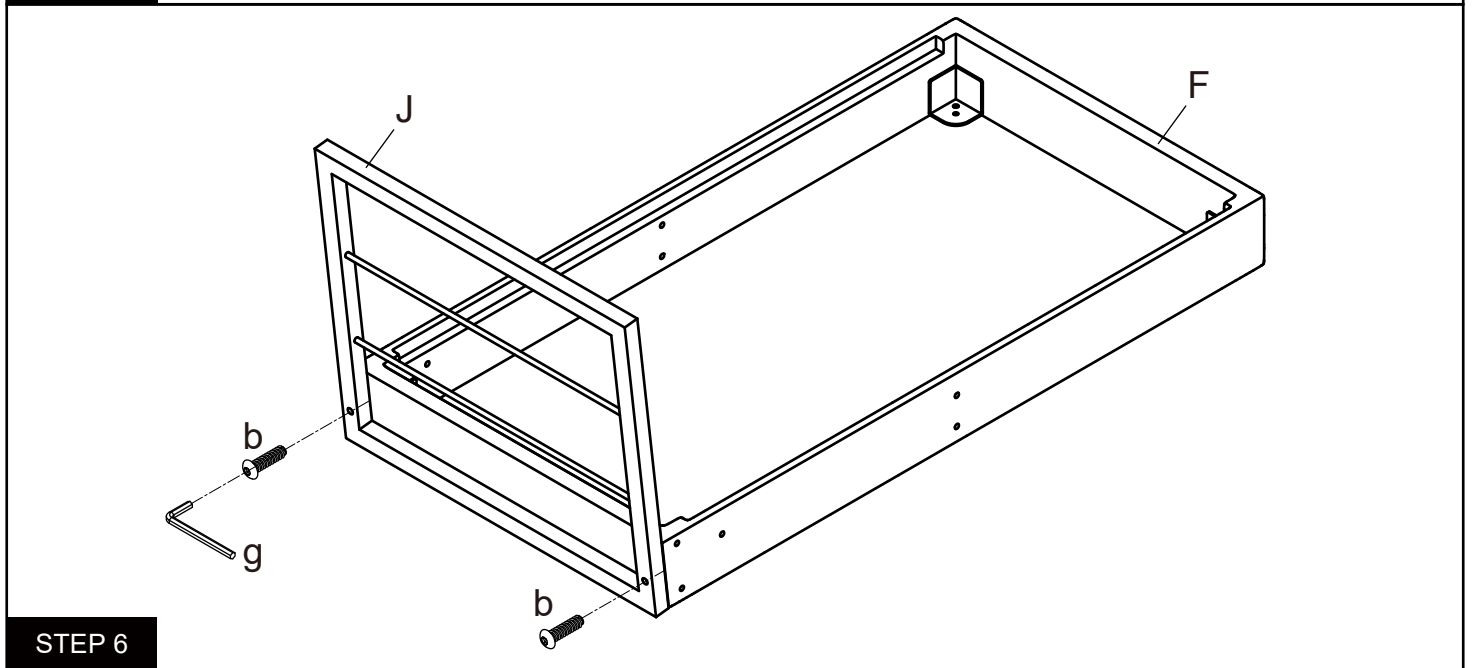
STEP 3



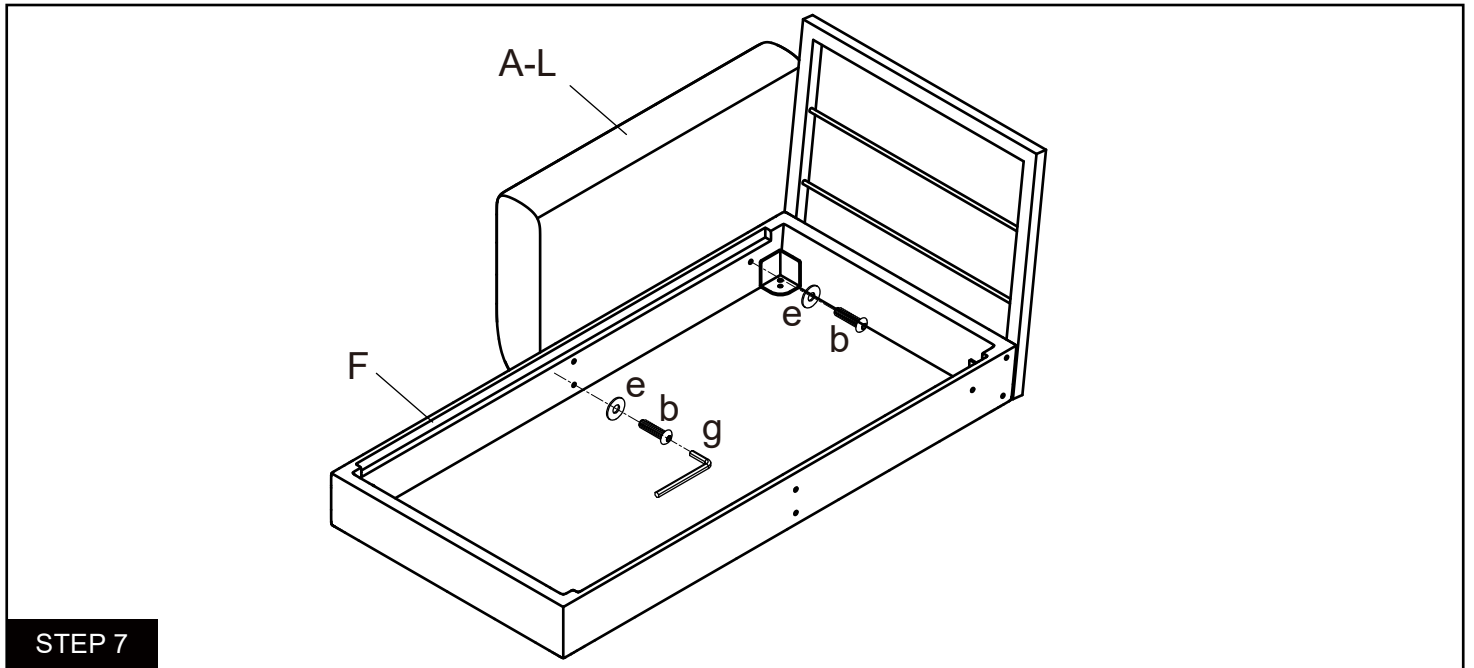
STEP 4



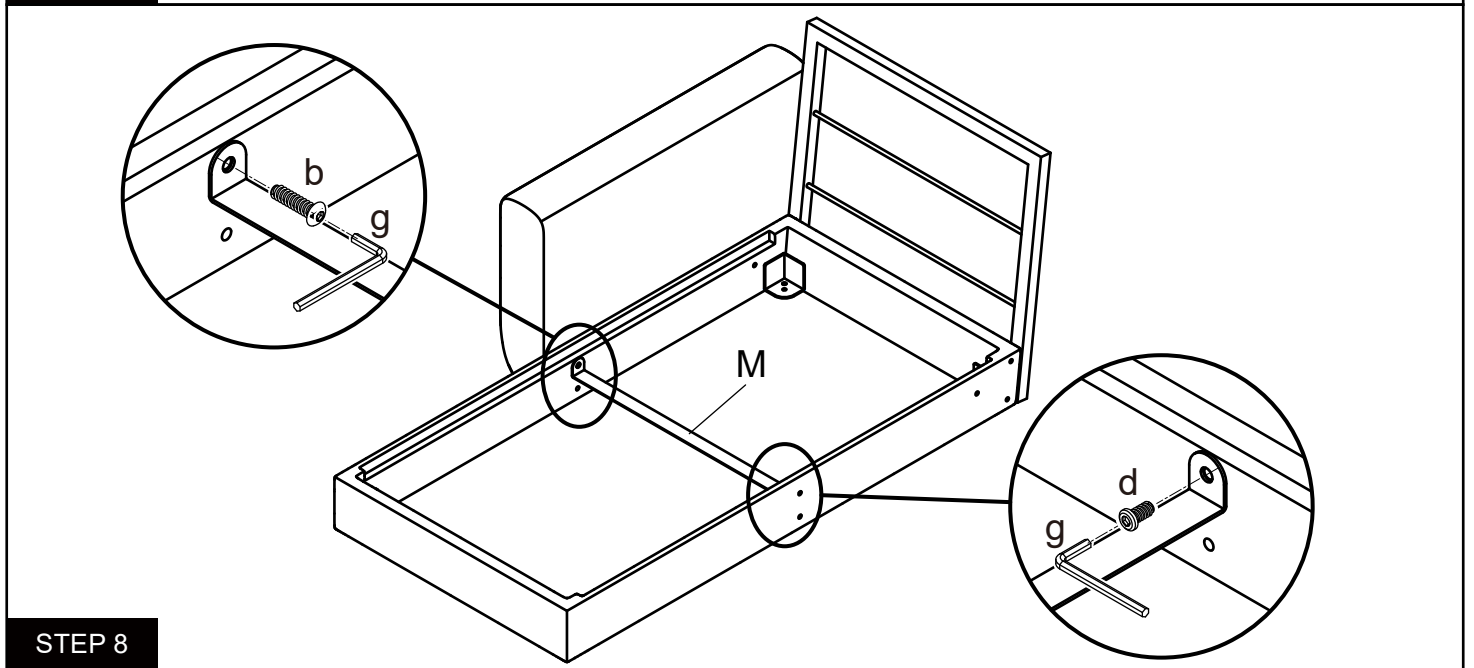
STEP 5



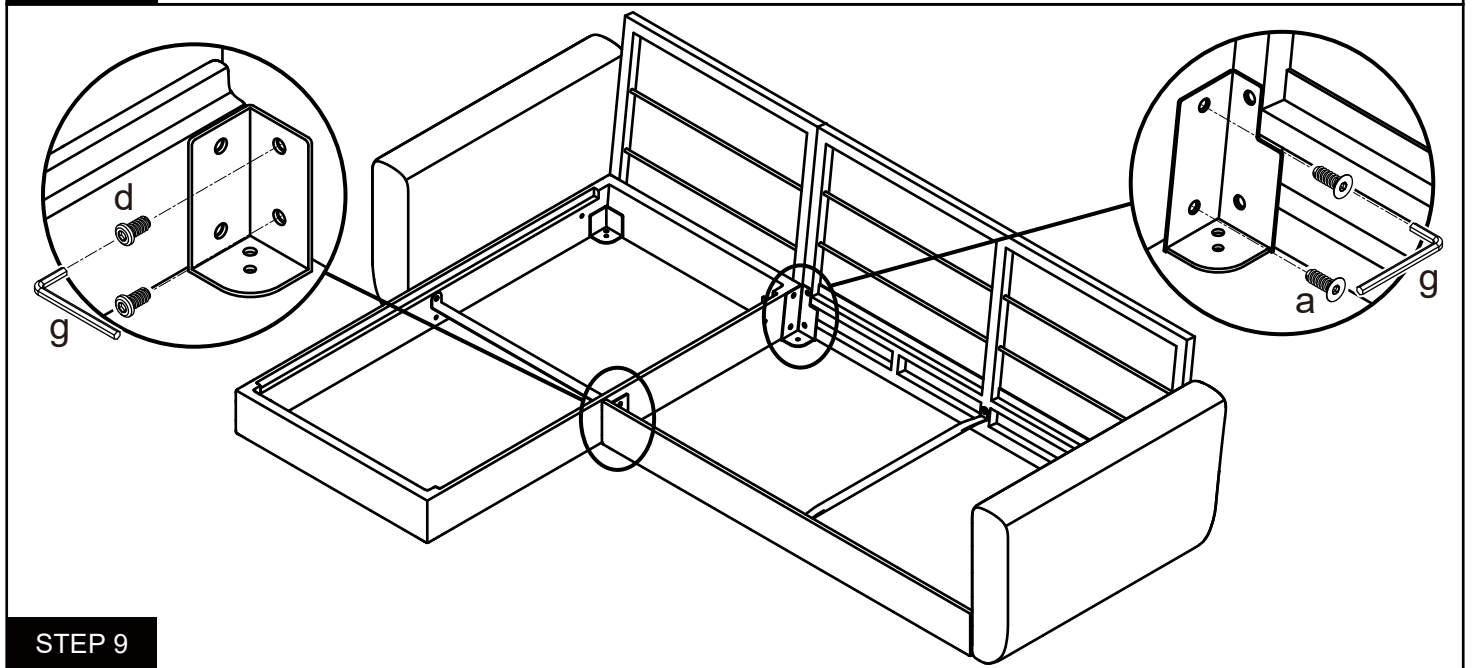
STEP 6



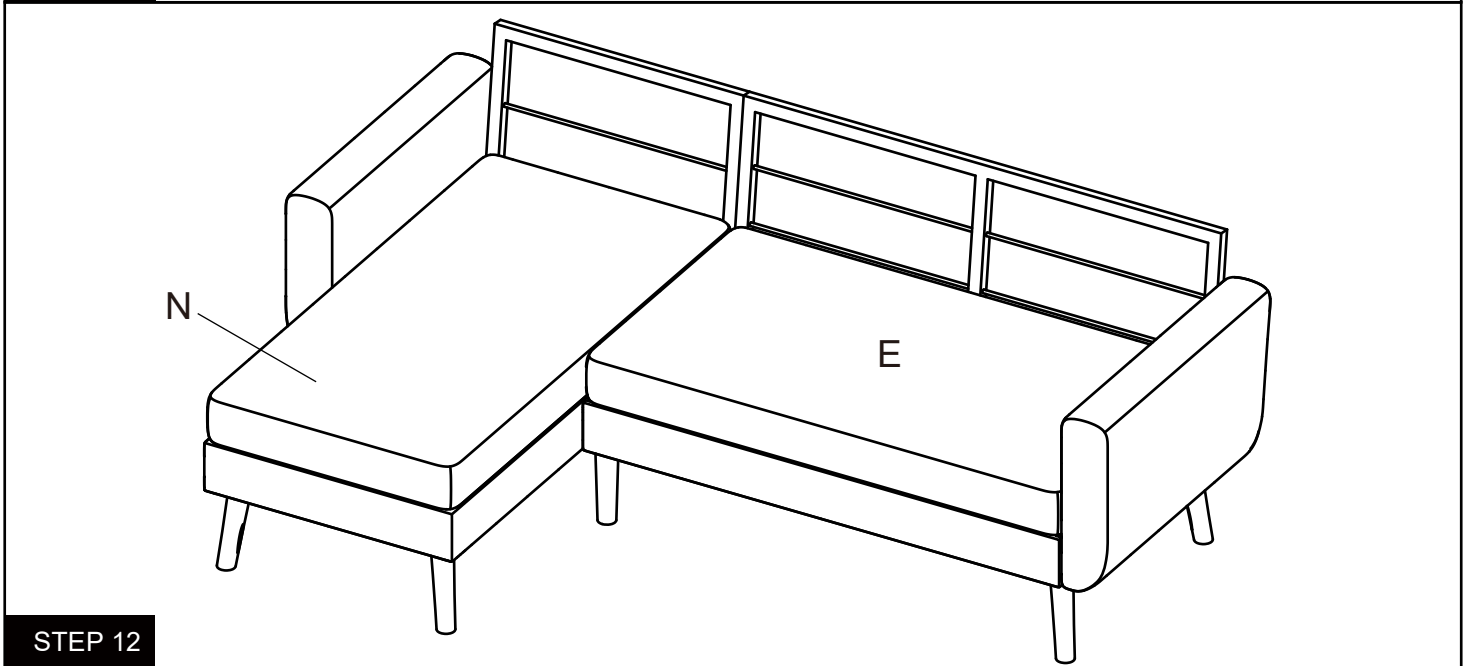
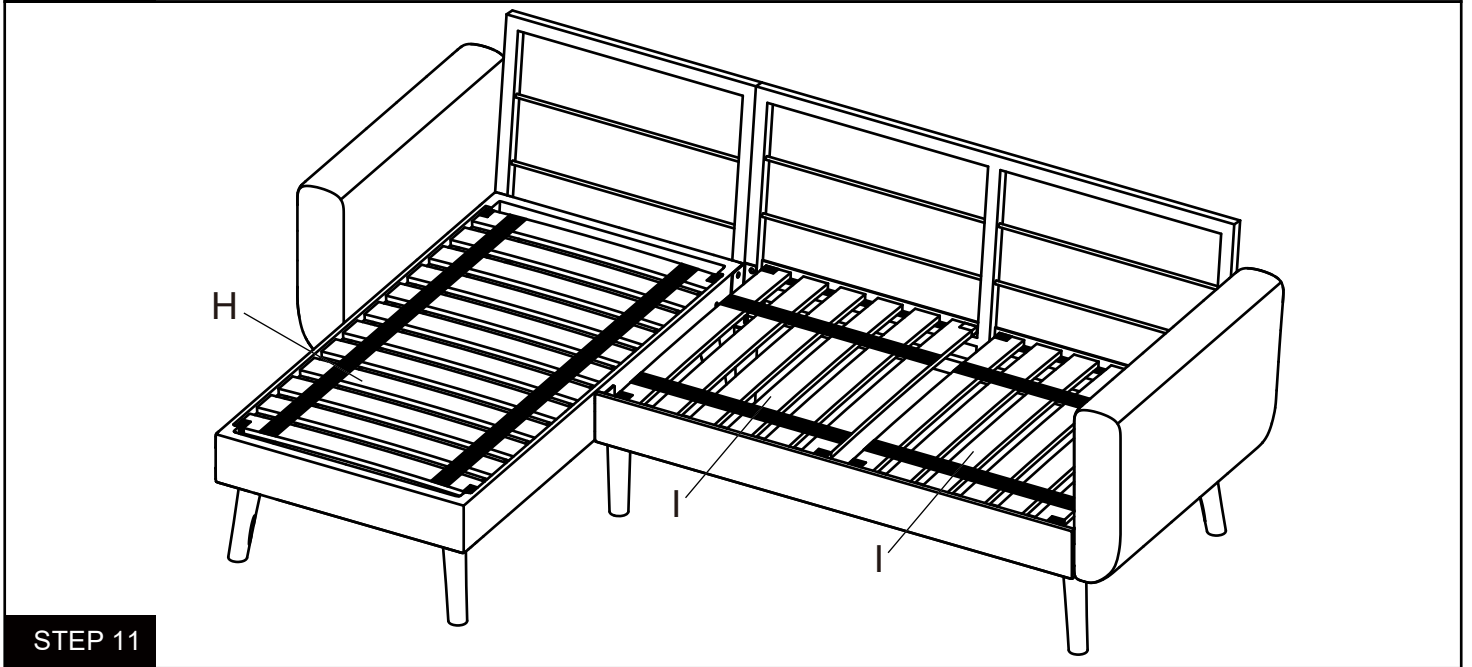
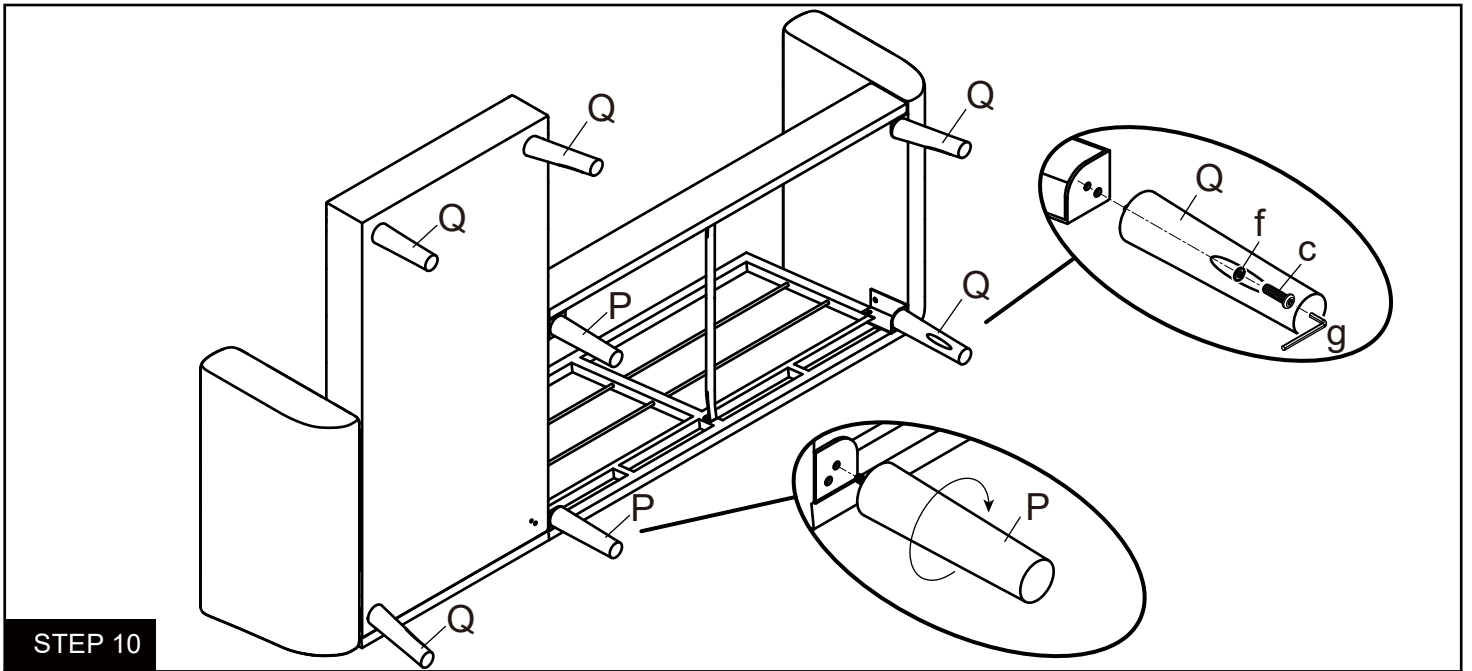
STEP 7

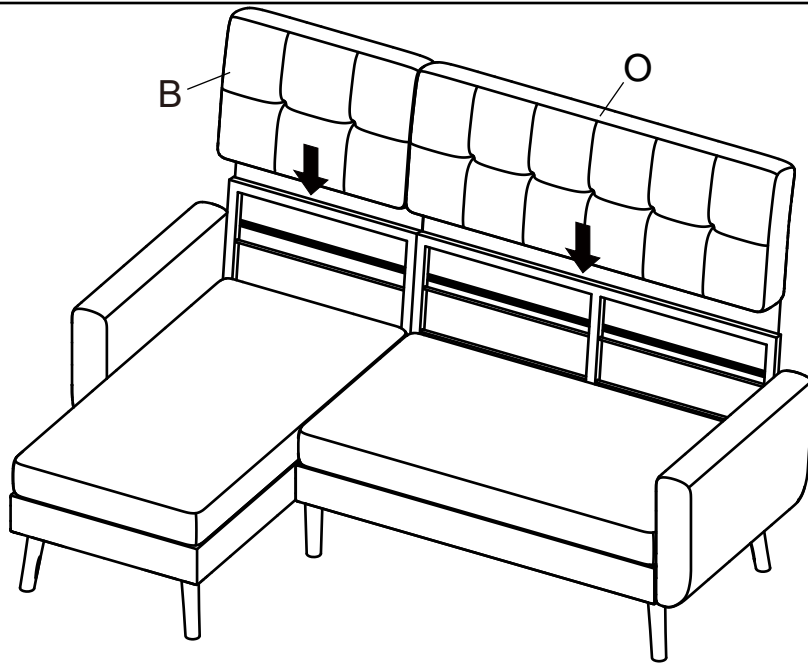


STEP 8

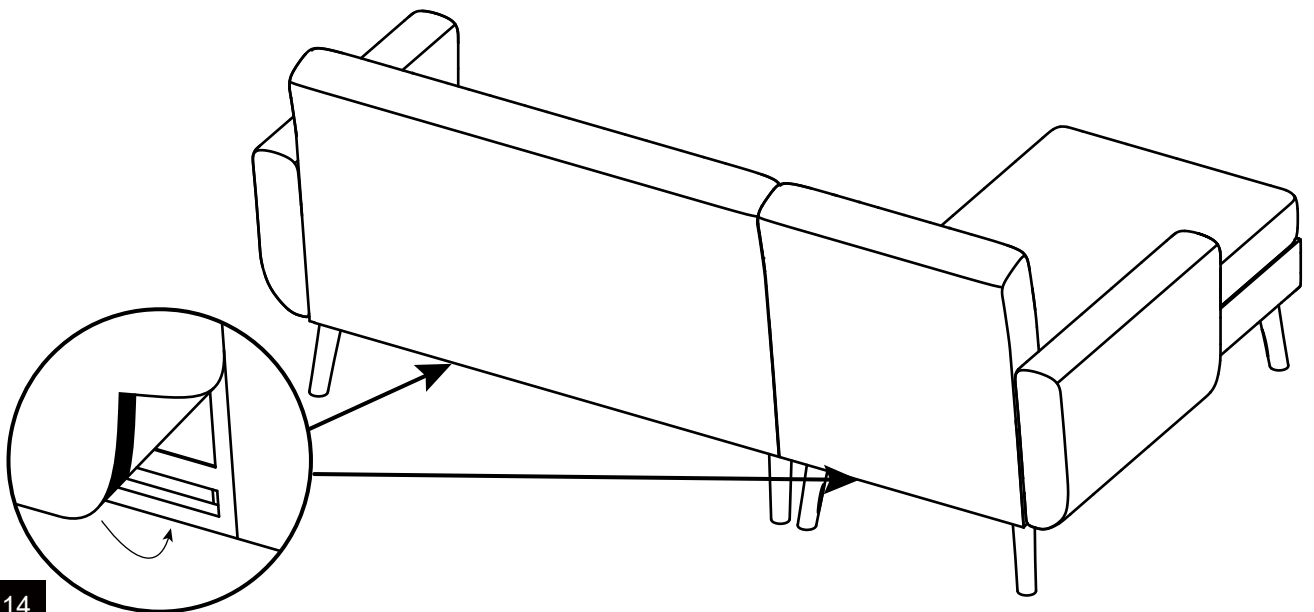


STEP 9

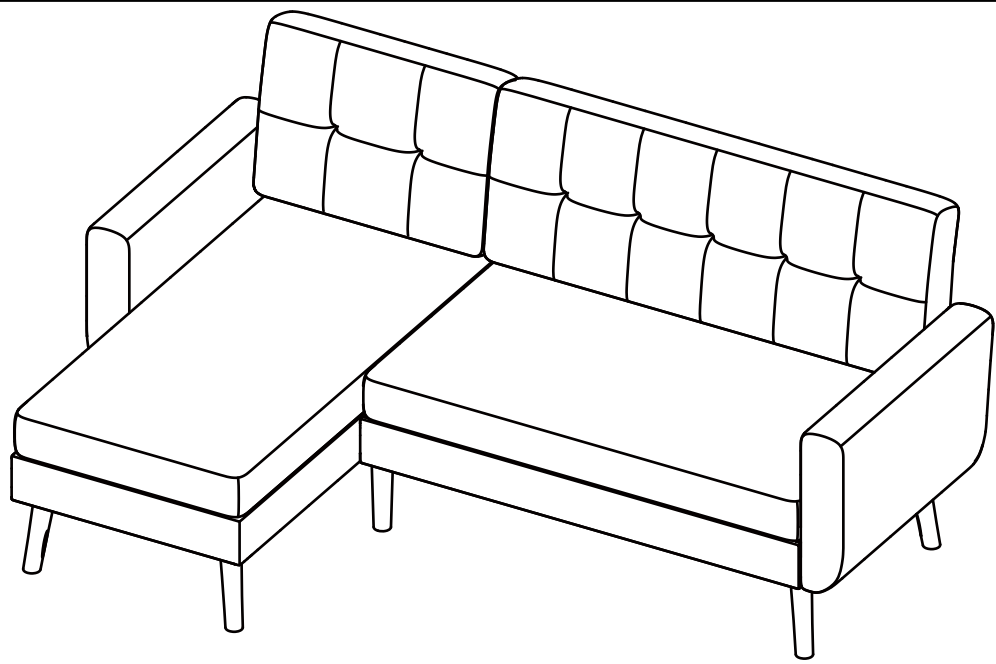




STEP 13

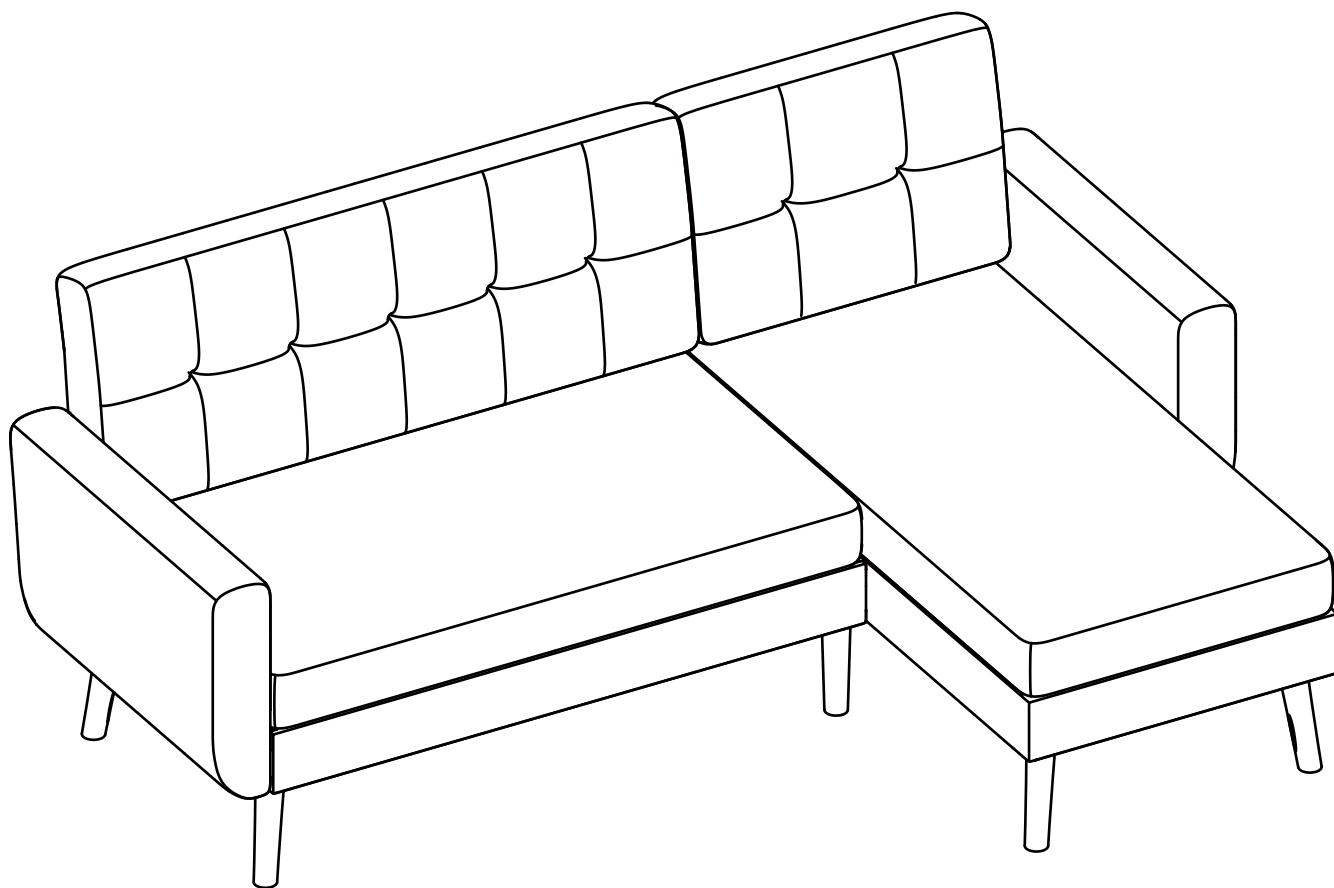


STEP 14



STEP 15

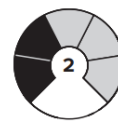
ASSEMBLY INSTRUCTIONS



TIME



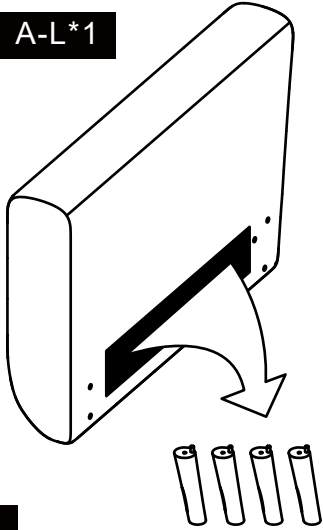
2 OF PEOPLE



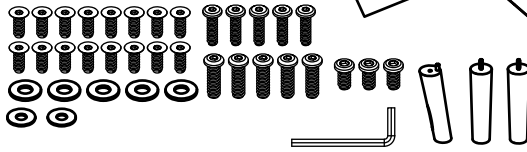
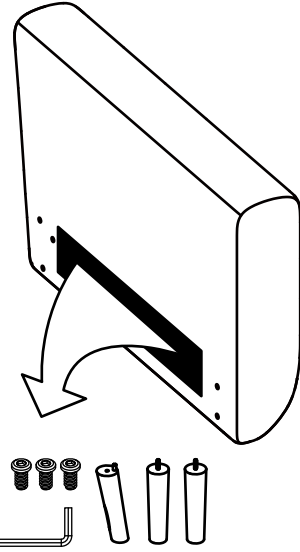
DIFFICULTY

Installation Steps

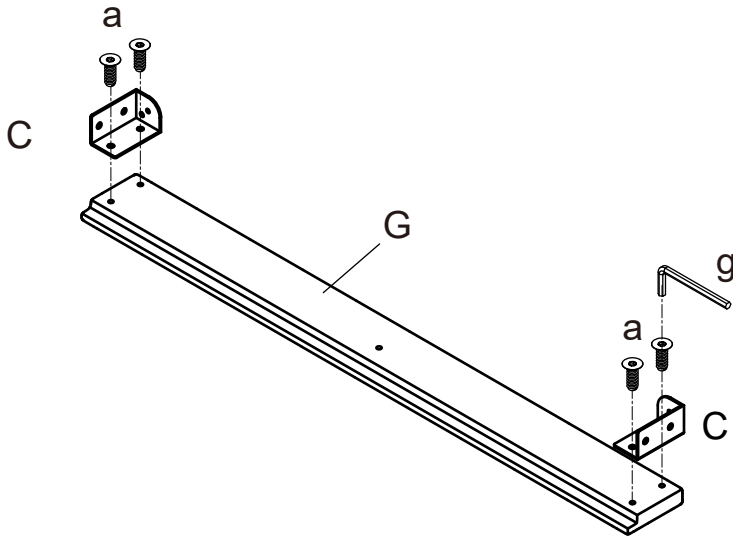
A-L*1



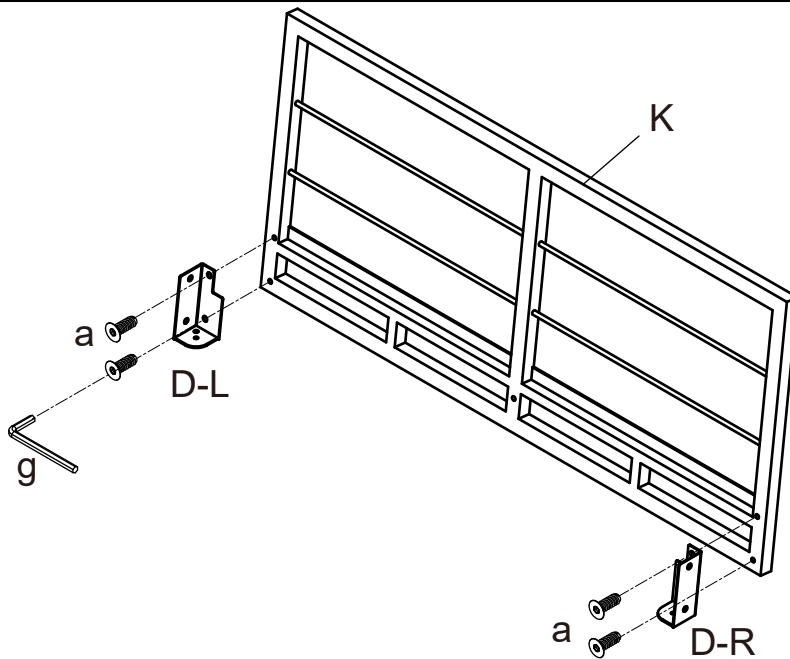
A-R*1



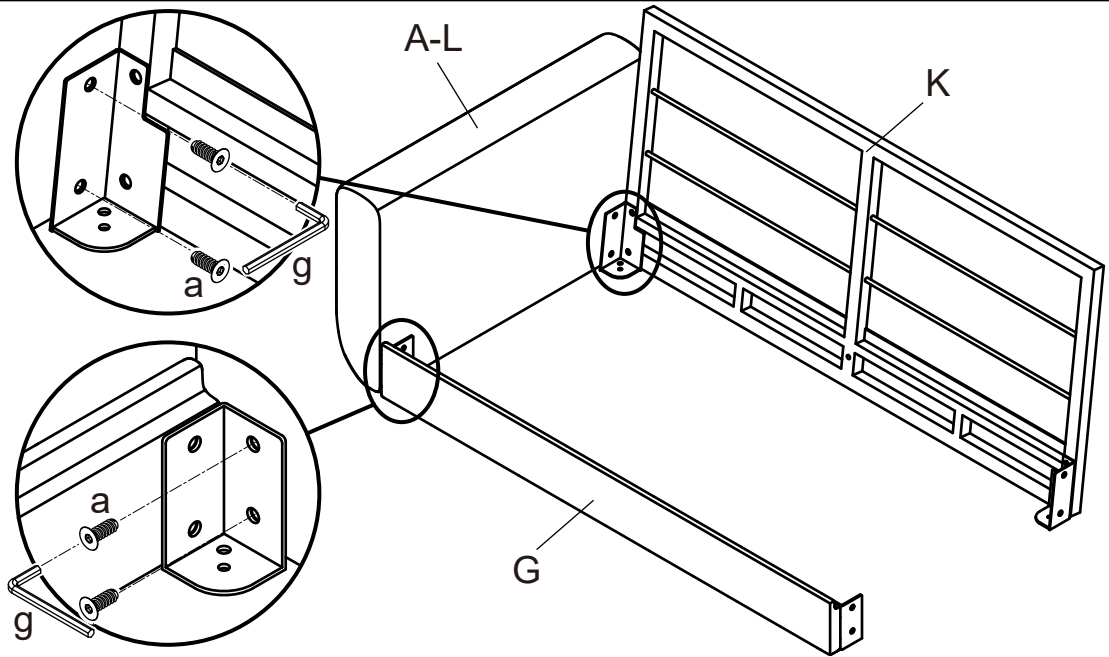
STEP 1



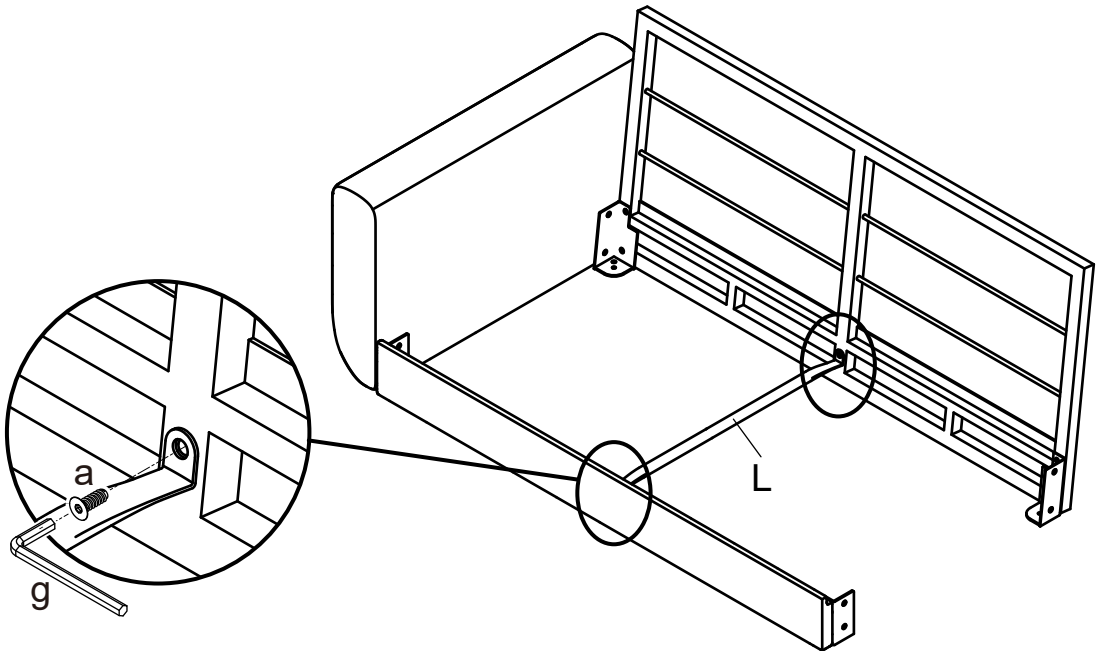
STEP 2



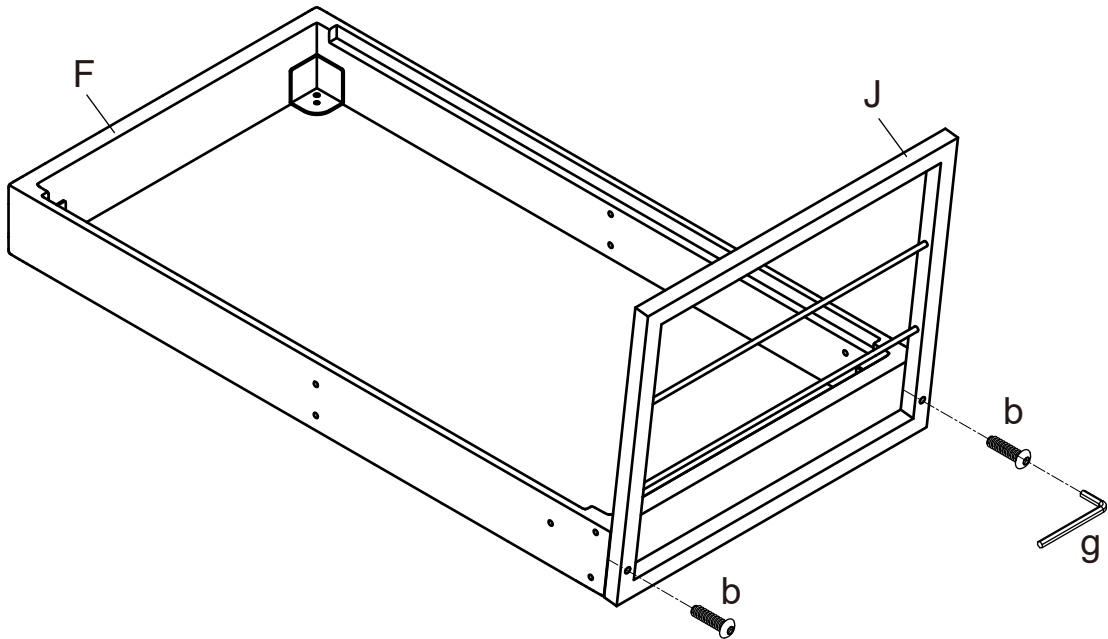
STEP 3



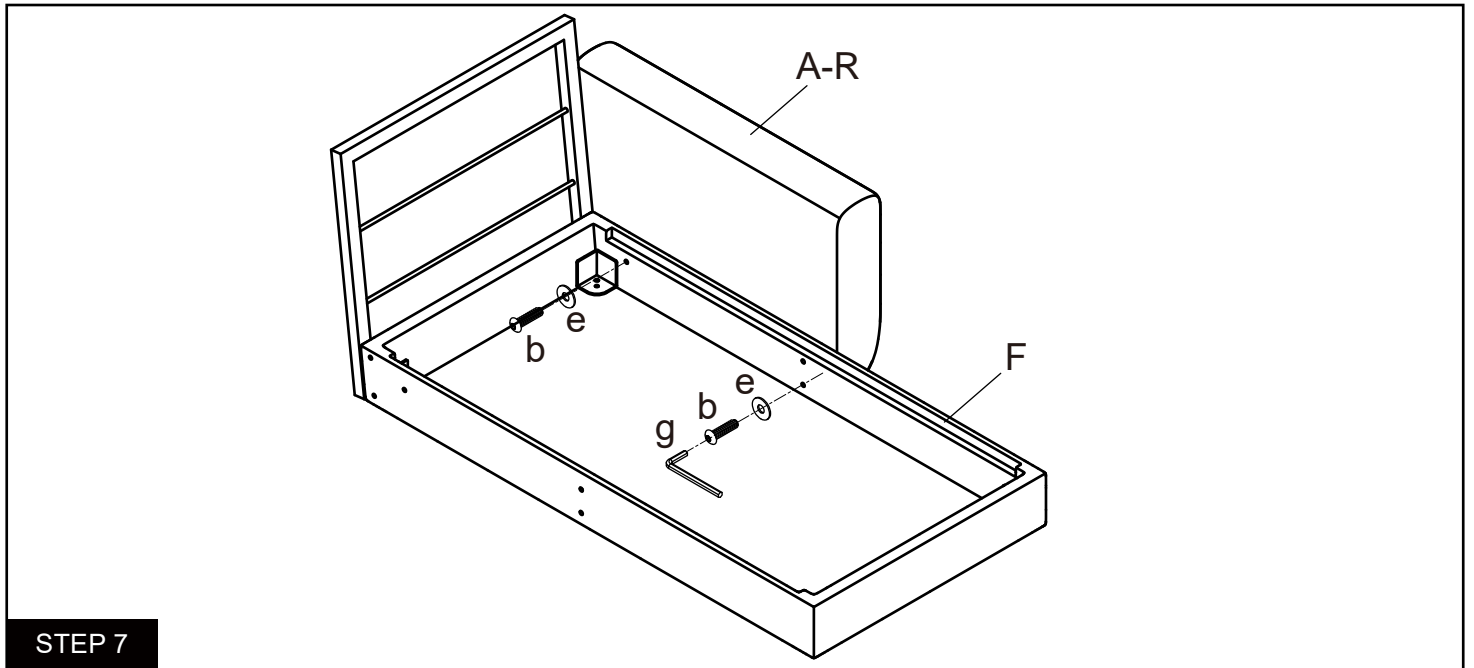
STEP 4



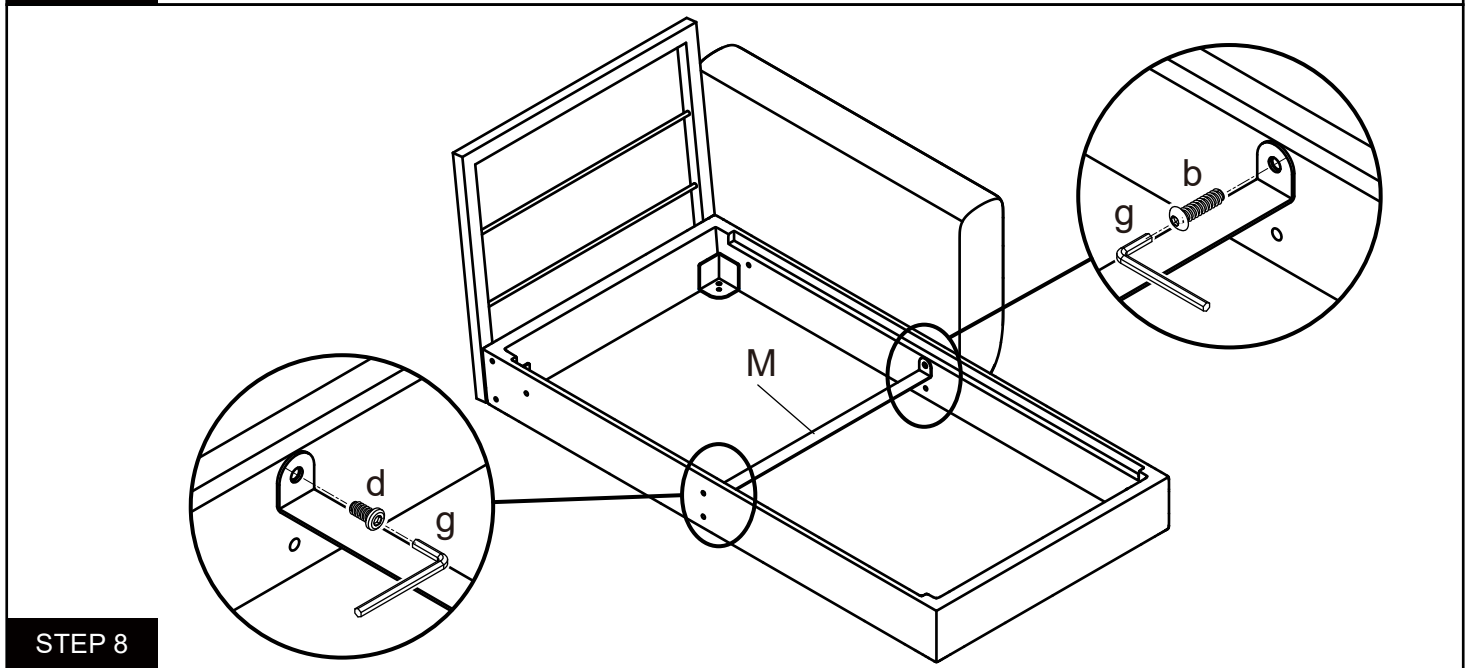
STEP 5



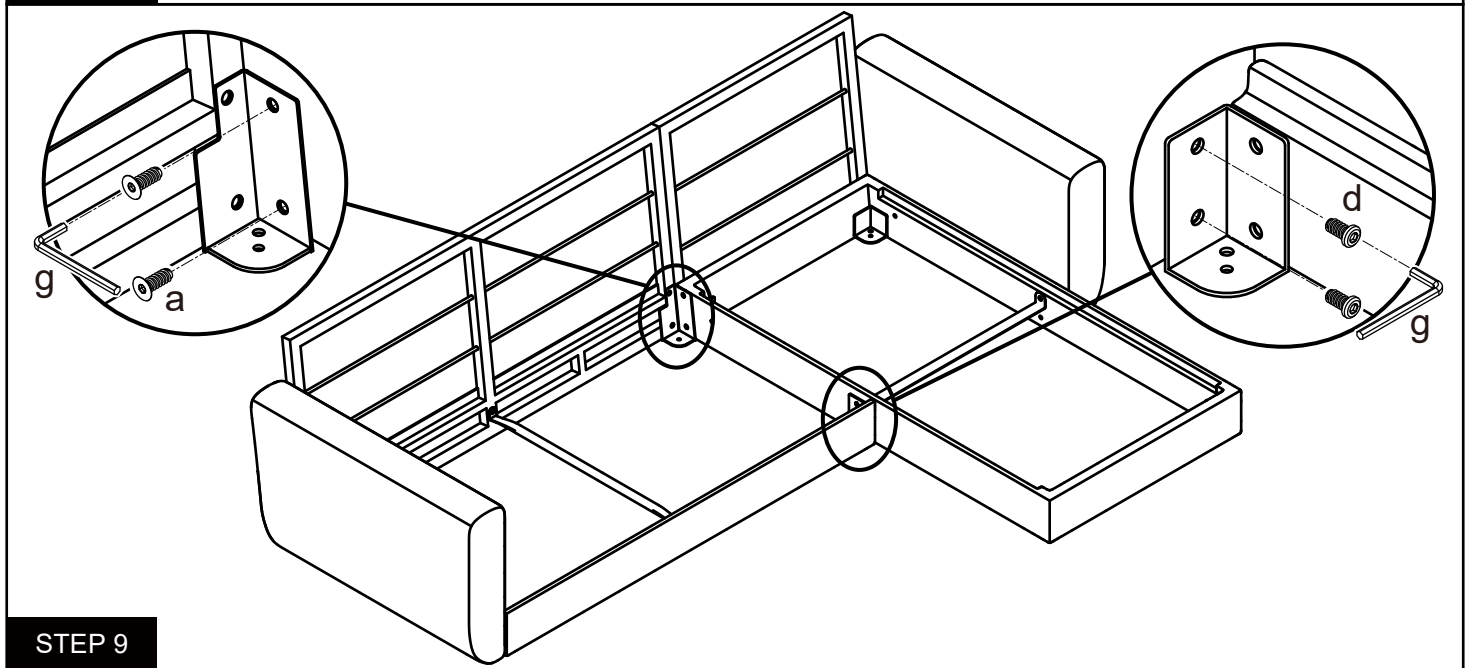
STEP 6



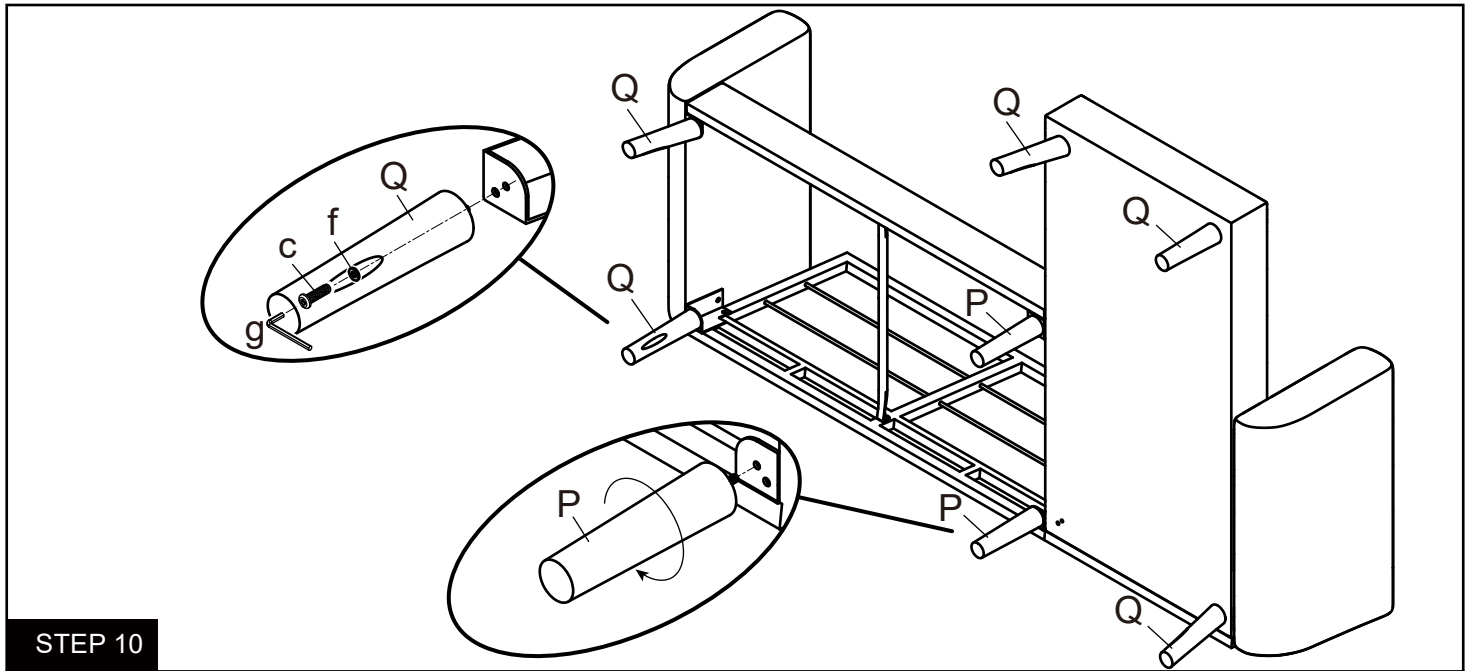
STEP 7



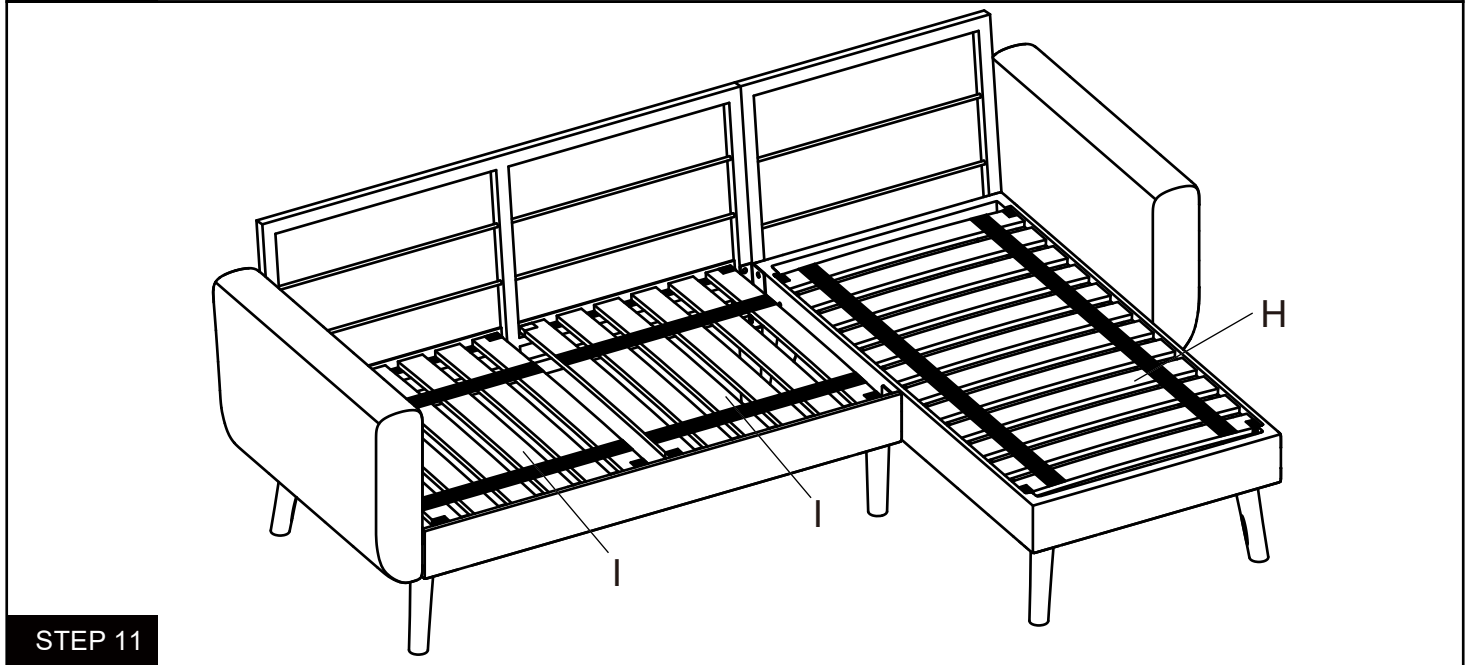
STEP 8



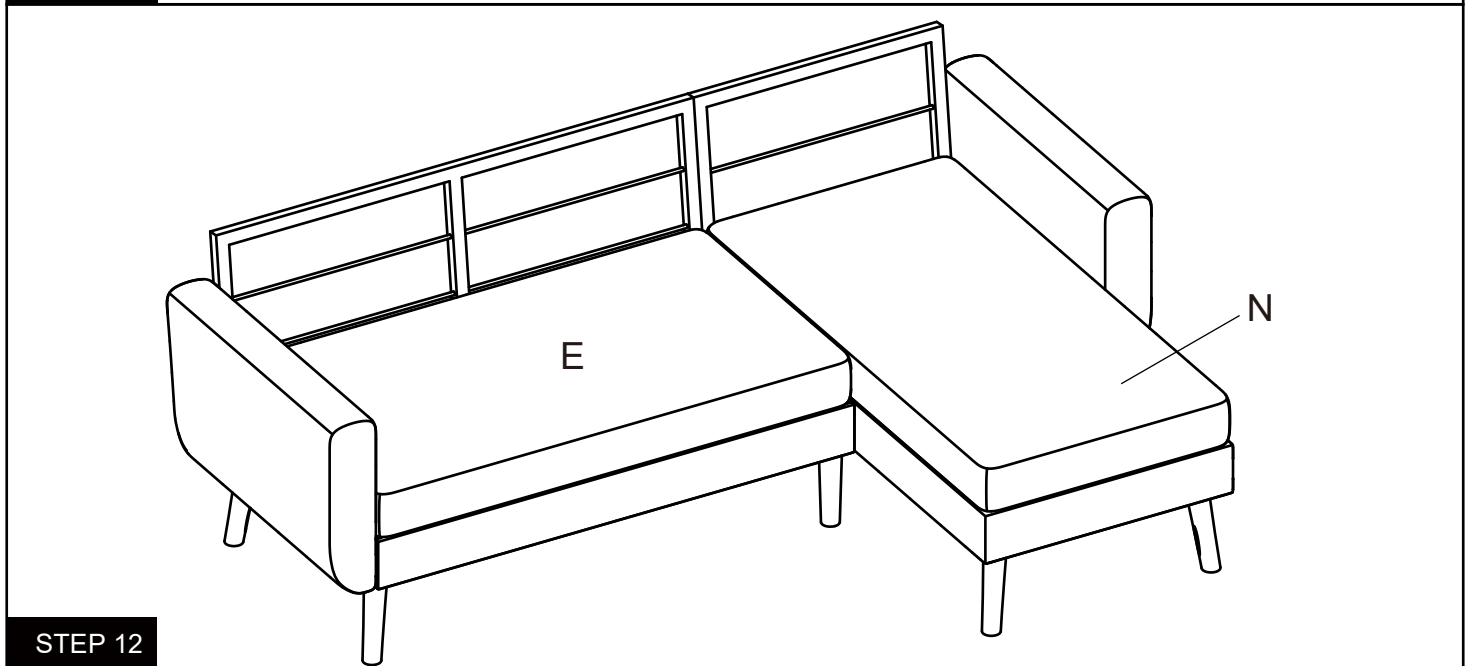
STEP 9



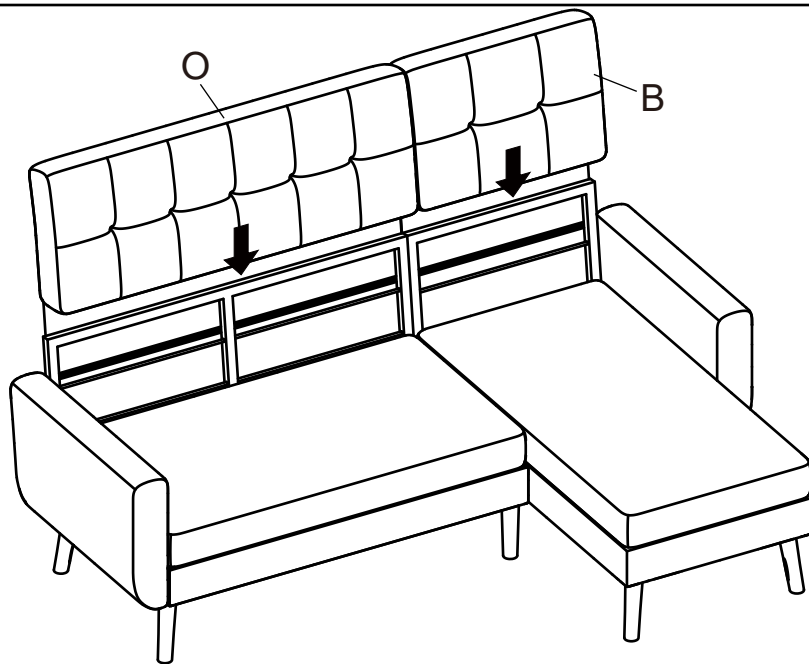
STEP 10



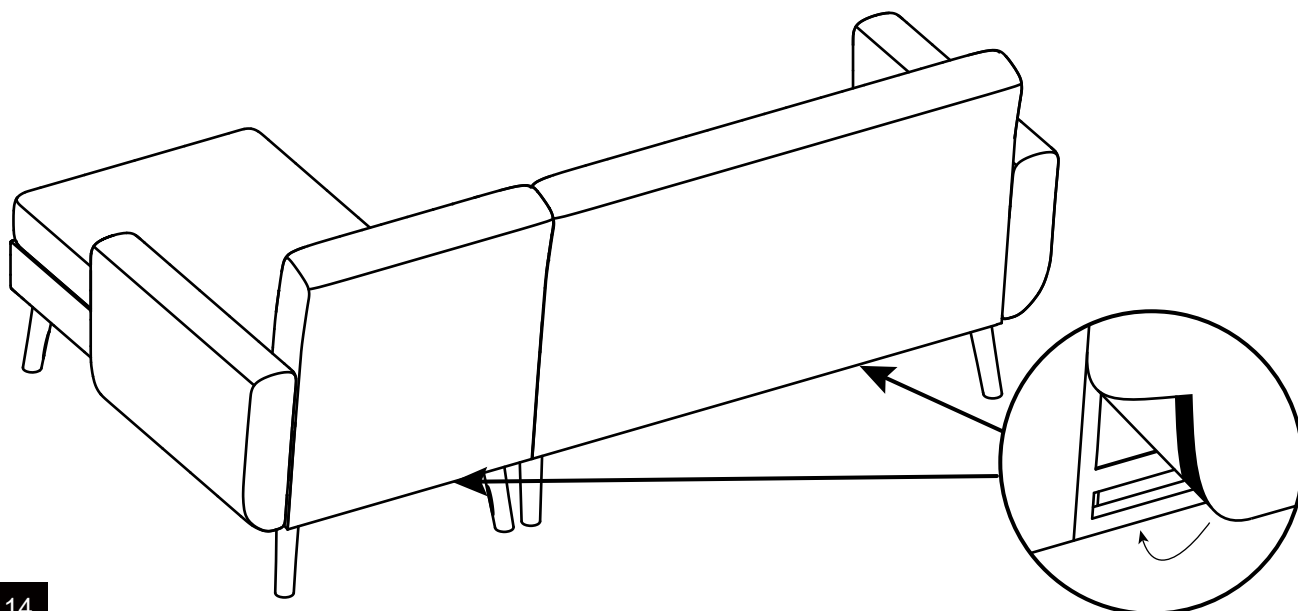
STEP 11



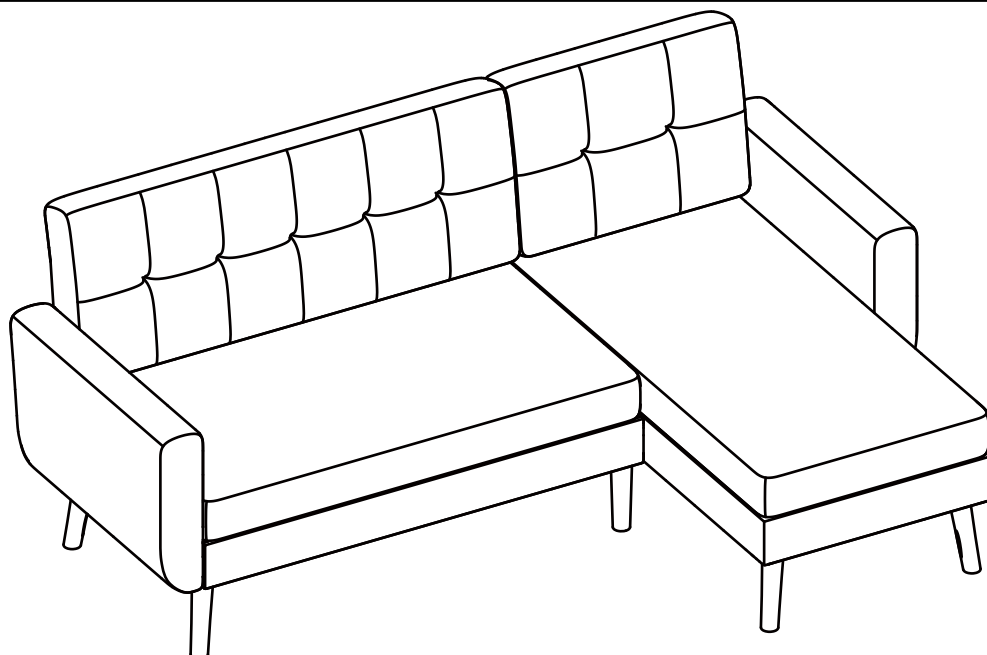
STEP 12



STEP 13



STEP 14



STEP 15