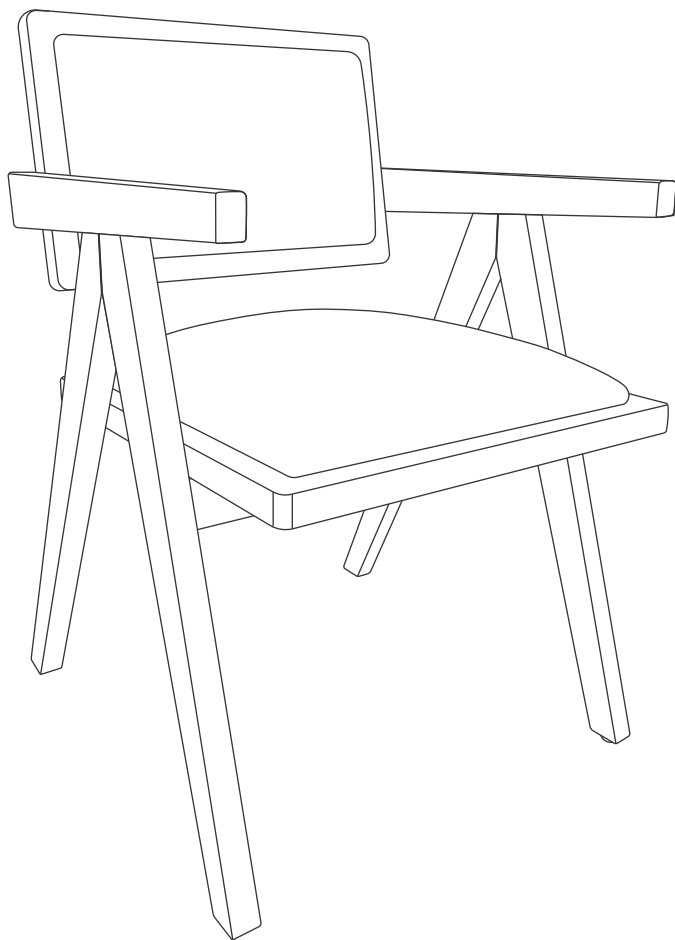


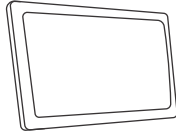
ASSEMBLY INSTRUCTIONS



SPARE PARTS



Ax1



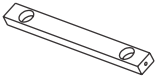
Bx1



Cx1



Dx1



Ex1



**M8x50MM
Fx4+1extra**



**M8x60MM
Gx4+1extra**



Hx8+1extra



Ix8+1extra



Jx2



Kx2



Lx2



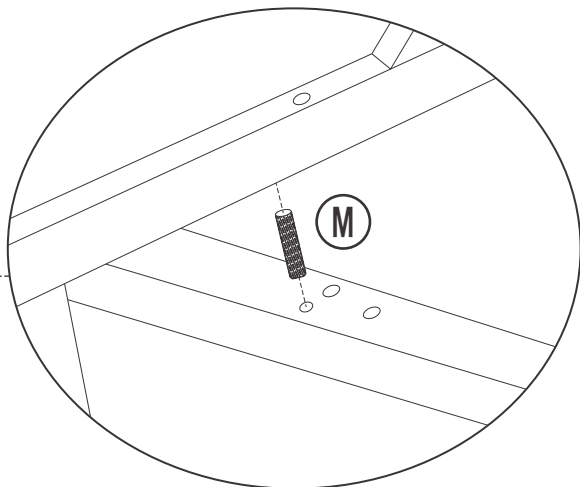
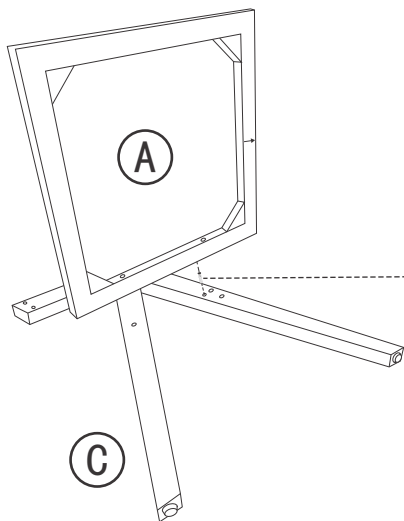
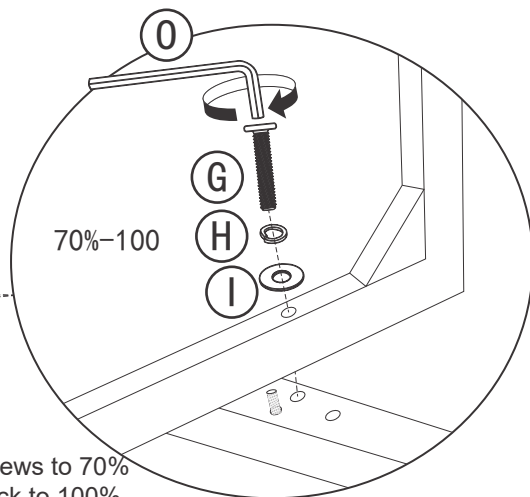
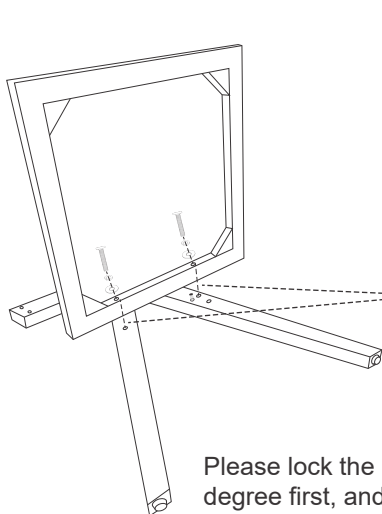
Mx2



Nx1



Ox1

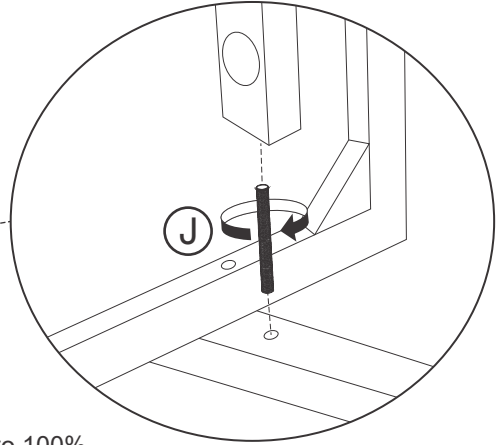
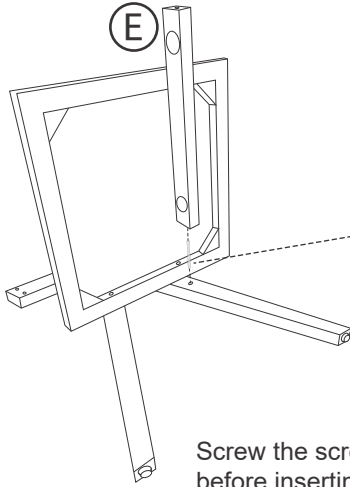
1**Ax1****Cx1****Mx2****2**

Please lock the screws to 70%
degree first, and lock to 100%
after all screws are installed.

3

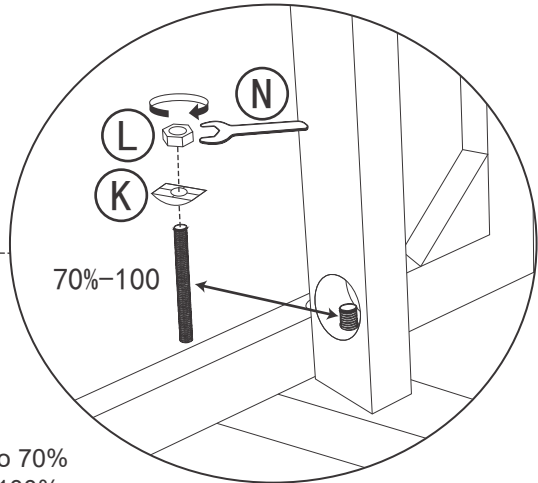
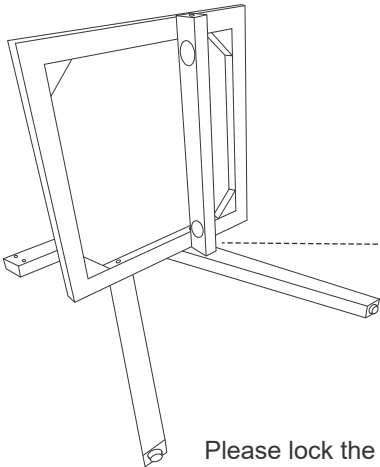


Ex1



Screw the screw to 100% before inserting the rung

4

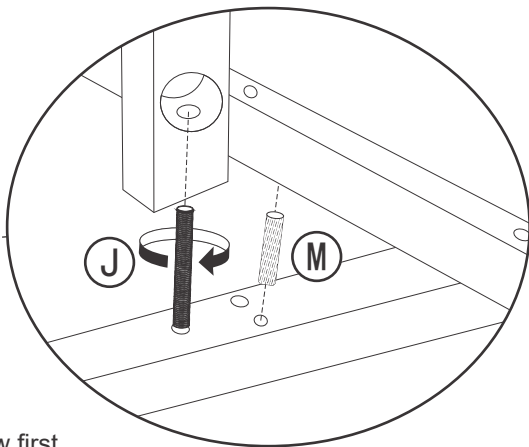
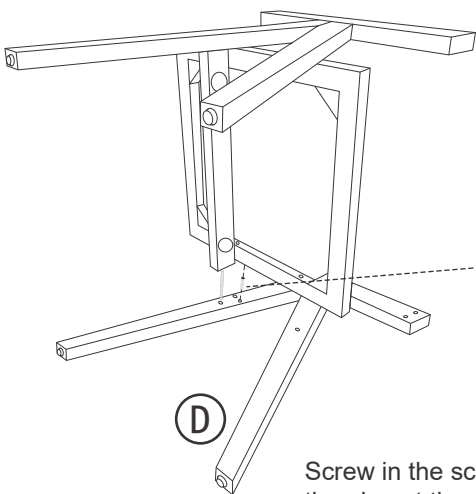


Please lock the screws to 70-degree first, and lock to 100% after all screws are installed.

5

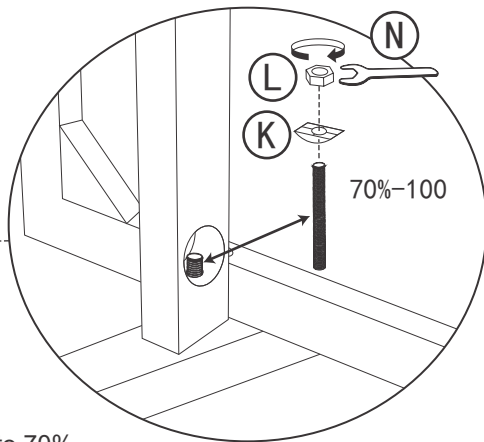
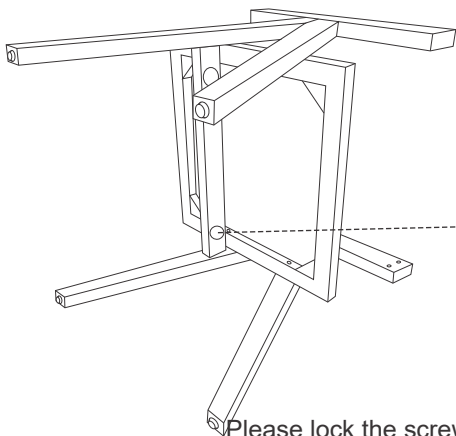


Dx1



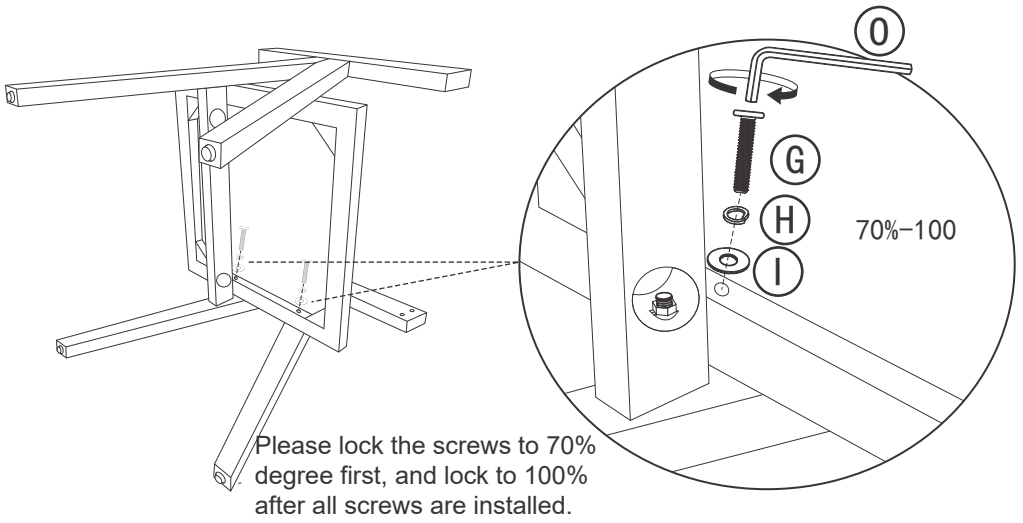
Screw in the screw first,
then insert the rung

6

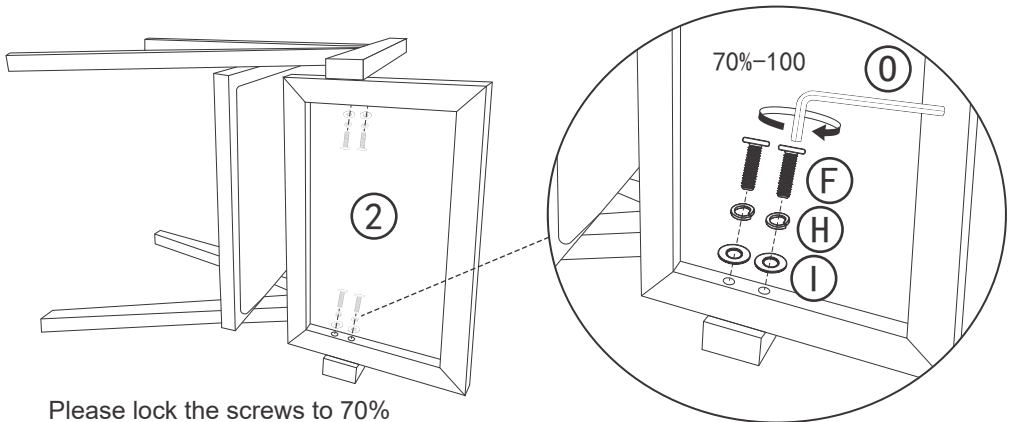


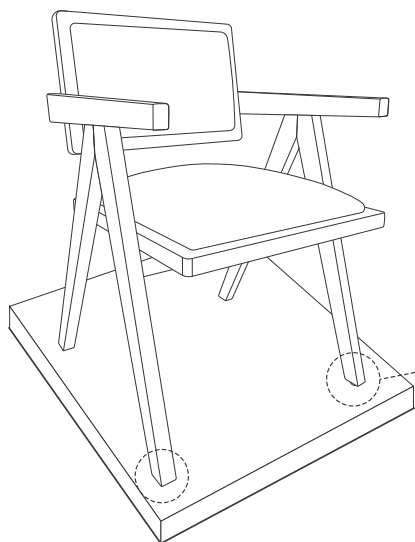
Please lock the screws to 70%
degree first, and lock to 100%
after all screws are installed.

7



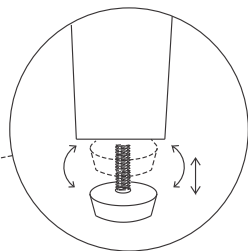
8





Adjust to horizontal

If the foot is still not stable
after installation, adjust
the front leg nail to adjust



Front foot nails are adjustable, rear foot nails are not adjustable

Be sure to keep spare parts.

**If screws or nails of a product are damaged or lost,
or screws or nails of a subsequent product are
damaged or aged, spare parts can be used to replace them.**