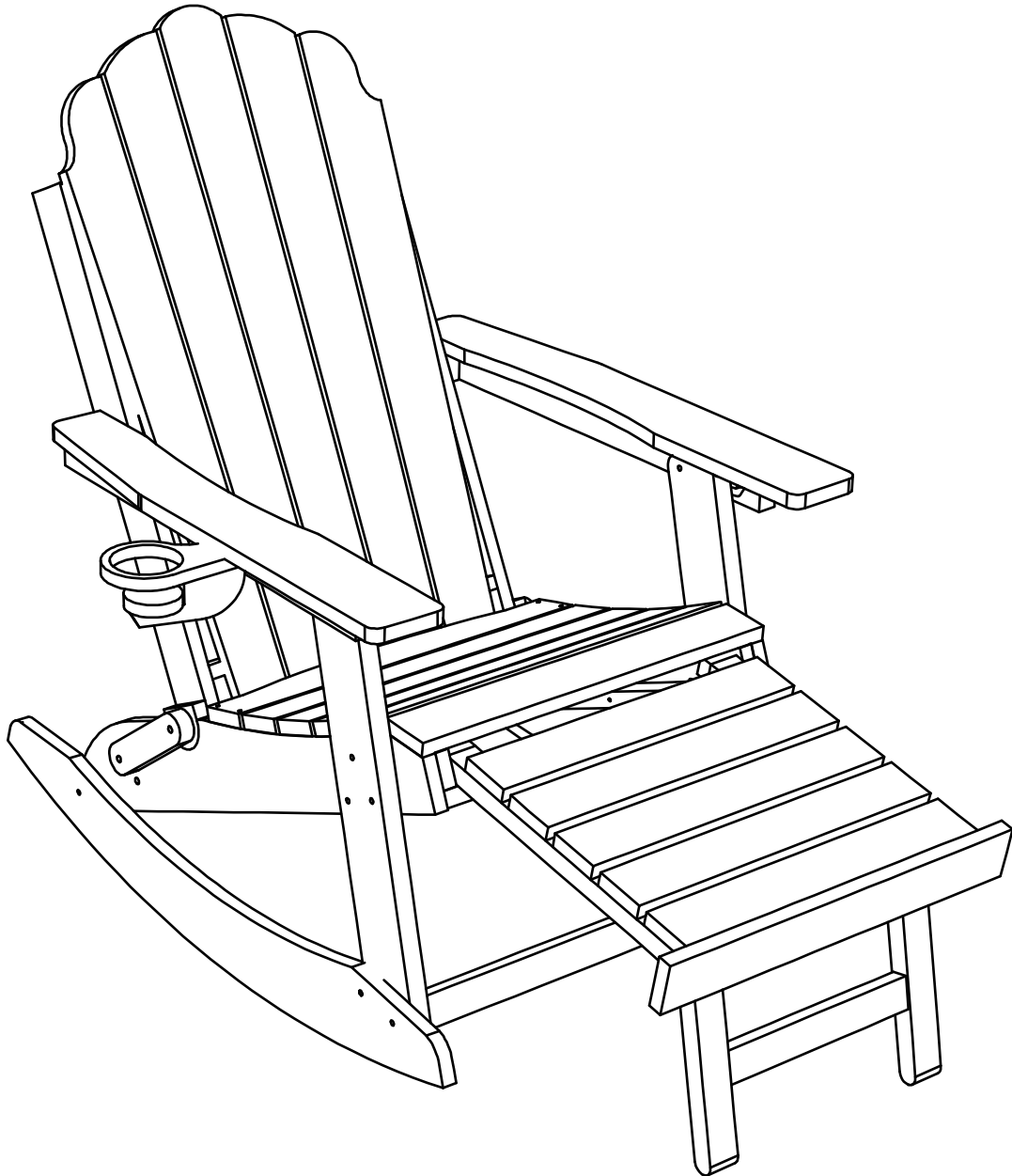


PE-CRS

Adirondack Rocking Chair



Scan the QR code
to watch the
installation video.



User Manual

✉ Service@Livewoodusa.com

☎ 978-300-3837

General Guidelines

1. Please read the following instructions carefully and use the product accordingly. Please keep this manual handy for your reference.
2. This manual is for your reference only. For further information and help, please contact us.

Notes

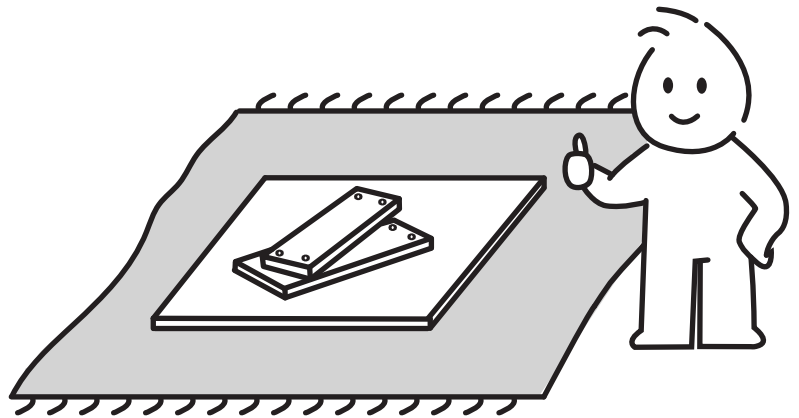
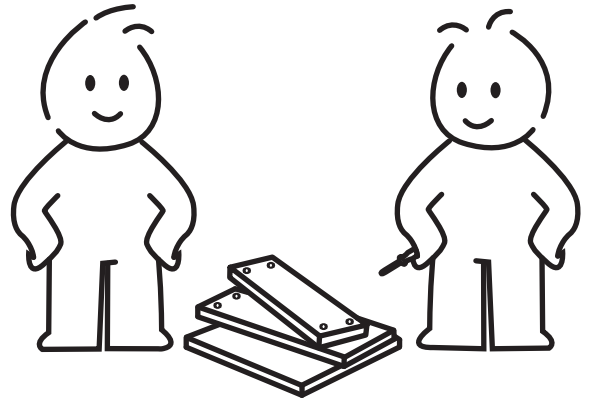
1. Personal injury and/or damage to the product may occur if products are used outside of their intended purposes and/or if products have been changed/modified from their original design. The product must be assembled and used in accordance with the provisions of the damage caused by incorrect assembly or improper use.
2. Carefully check accessories when opening the package. If anything is missing or damaged, please contact us immediately.
3. Do not use sharp tools or equipment such as a knife or scissors when removing the protective material, as it may damage the product.
4. Carefully remove all of the components from the packaging and set aside for assembly.
5. Assemble on a soft surface to prevent scratching during assembly.
6. Do not tighten all the screws before completing the installation.
7. Tighten all components securely before use. Failure to do so may result in personal injury.

Warning

1. Keep children away when assembling the product. Small parts are included in the package; they may be fatal if swallowed or inhaled.
2. To avoid the potential dangers of suffocation, please keep all parts and packaging (film, plastic bags, foam, etc.) away from babies and children.

Daily Maintenance

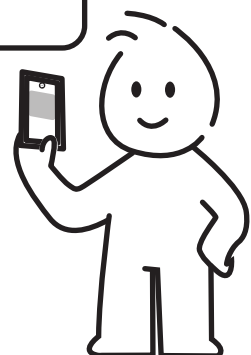
1. Clean the product using a solution of mild soap and water. Dip a soft cloth or sponge into the solution and wipe the entire surface thoroughly.
2. After cleaning, thoroughly rinse the furniture with water to remove any soap residue left behind.
3. When not in use, cover the product with a protective cover to keep it clean and extend its lifespan.



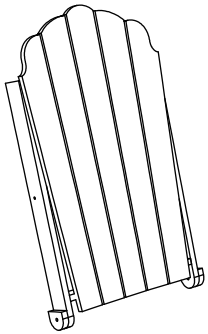
Service@Livewoodusa.com
978-300-3837



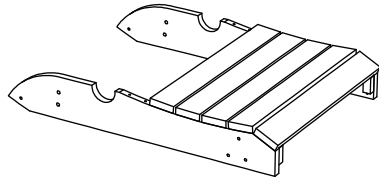
Scan the QR
code to watch
the installation
video.



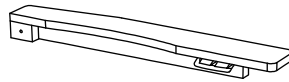
Parts List



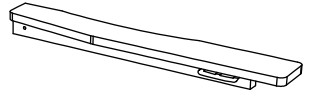
A x1



B x1



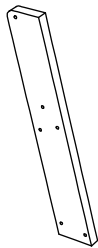
C x1



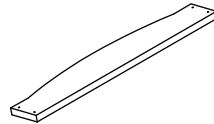
D x1



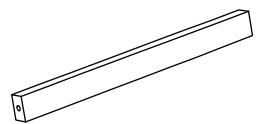
E x2



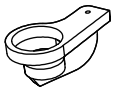
F x2



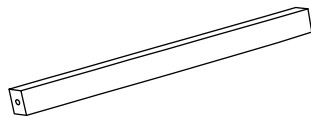
G x1



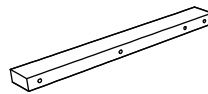
H x1



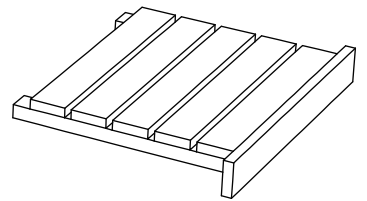
I x1



J x1



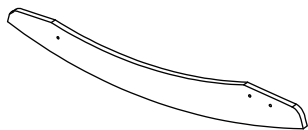
K x2



L x1



M x2



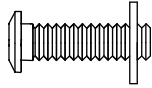
N x2

Hardware List



4x40 Screw

AA x8



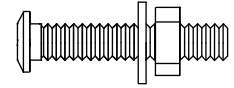
M6x30 Bolt

BB x1



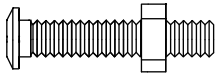
M6x40 Bolt

CC x8



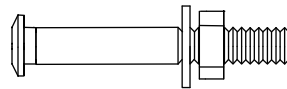
M6x50 Bolt

DD x2



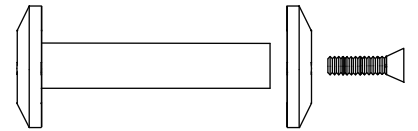
M6x50 Bolt

EE x2



M6x80 Bolt

FF x4



GG x2



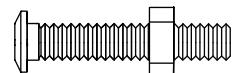
4x50 Screw

HH x8



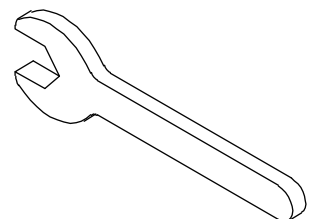
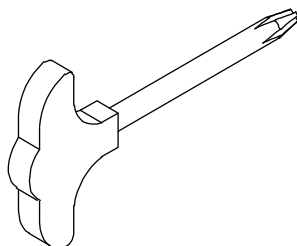
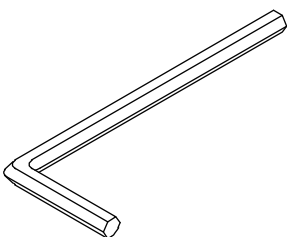
M6x60 Bolt

II x2

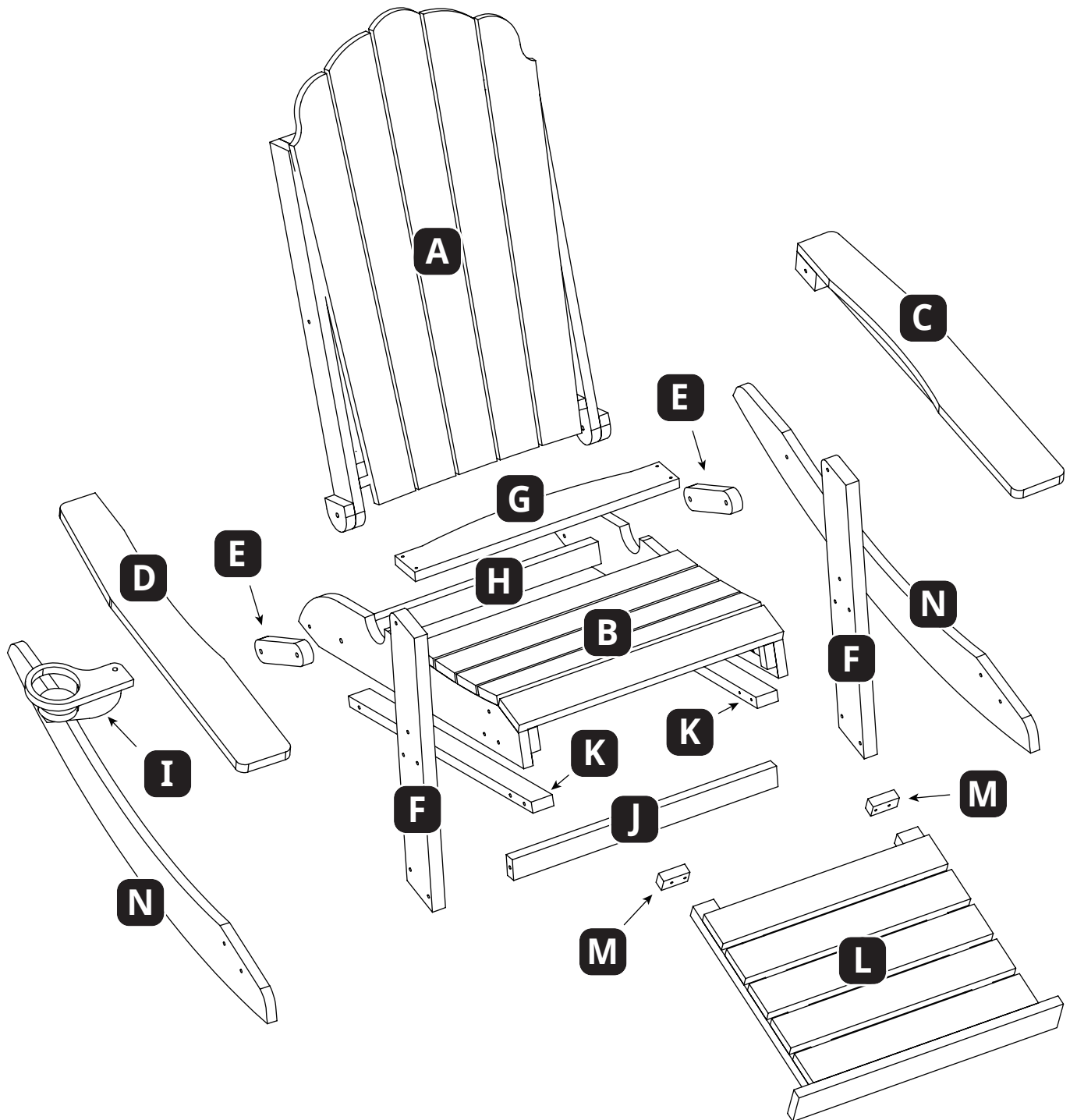


M6x55 Bolt

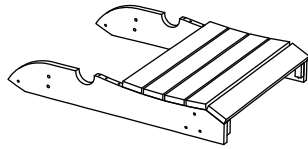
JJ x2



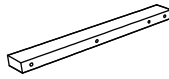
Exploded



1



B x1

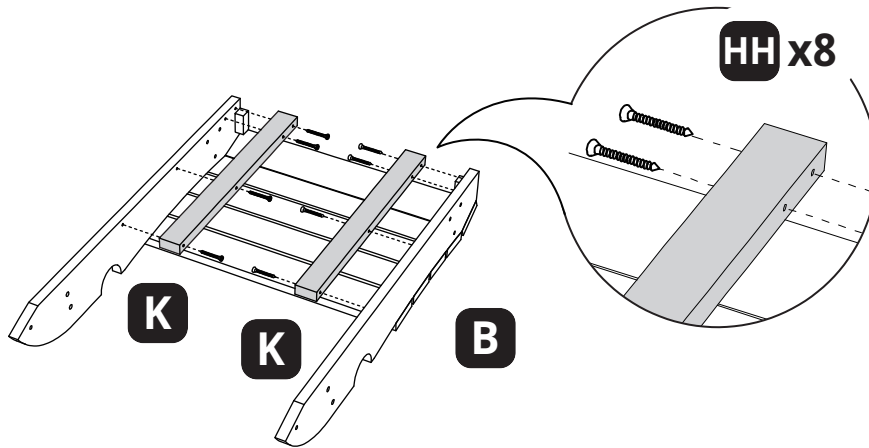


K x2

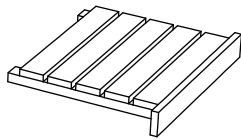


4x50 Screw

HH x8



2



L x1

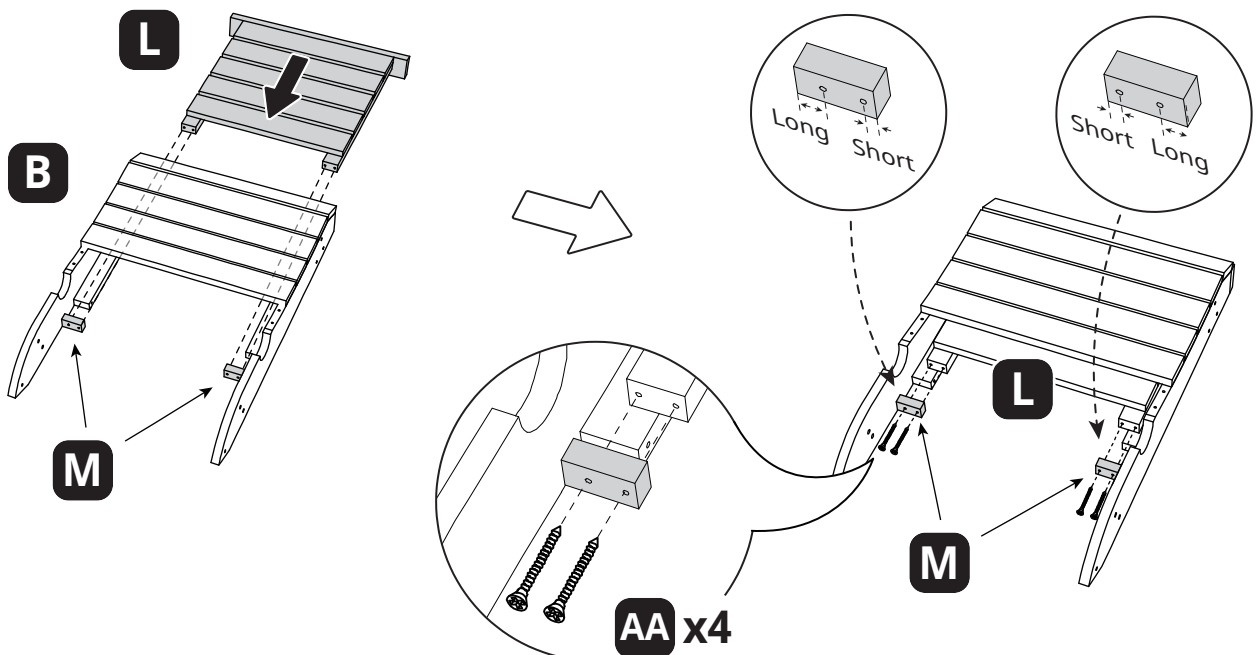


M x2

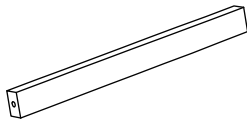


4x40 Screw

AA x4



3

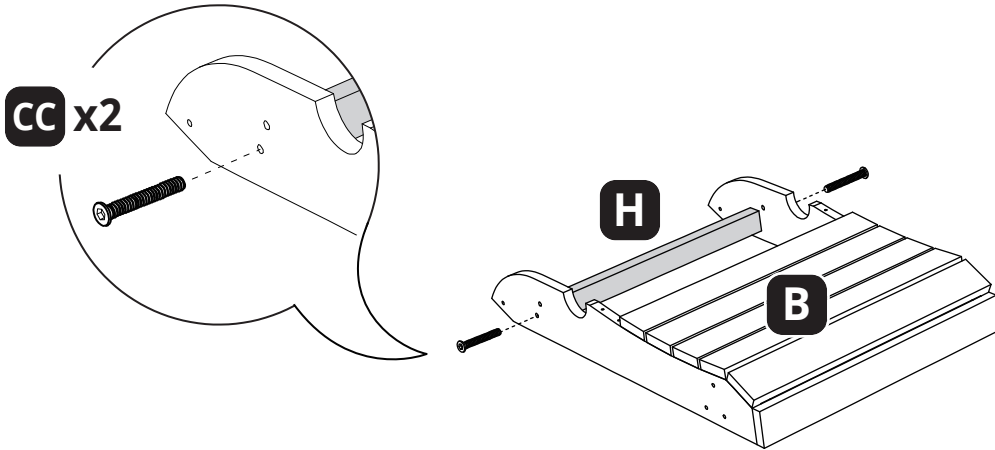


H x1

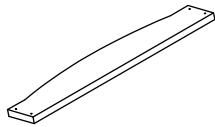


M6x40 Bolt

CC x2



4

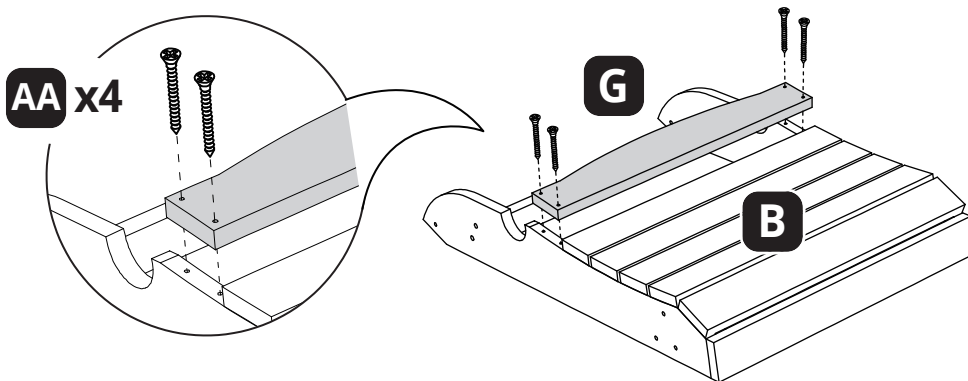


G x1

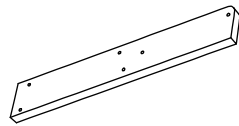


4x40 Screw

AA x4



5

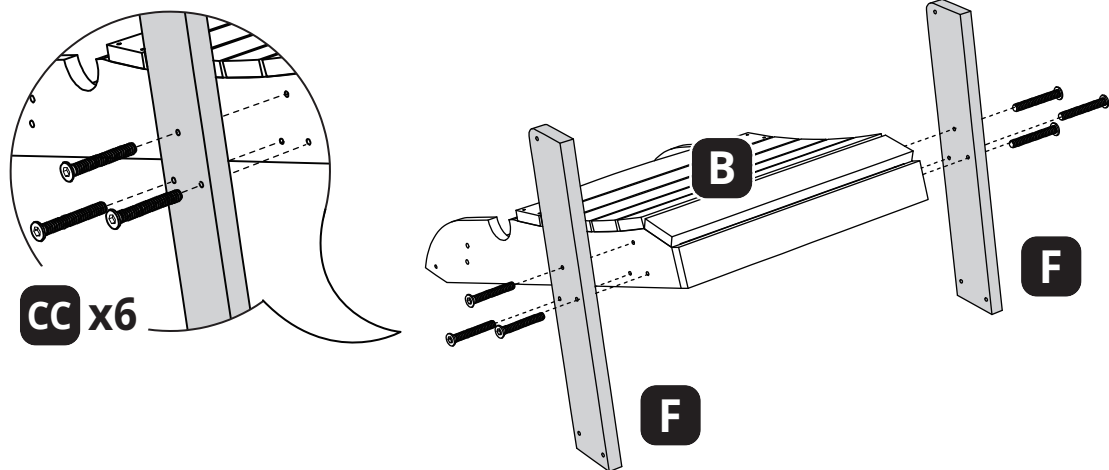


F x2



M6x40 Bolt

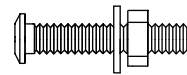
CC x6



6

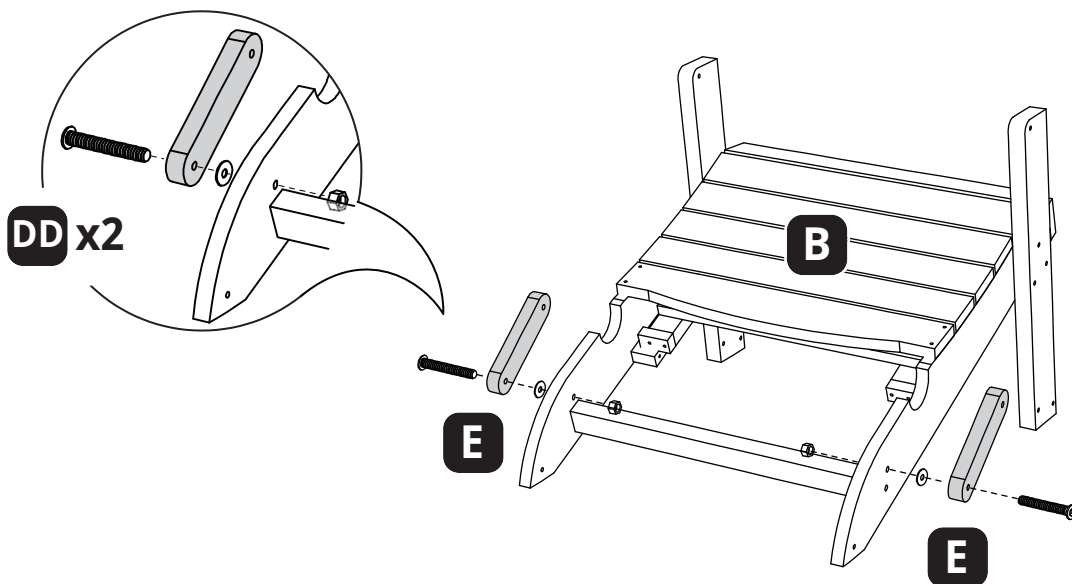


E x2

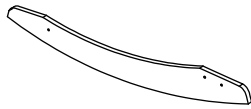


M6x50 Bolt

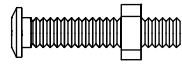
DD x2



7

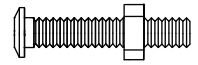


N x2



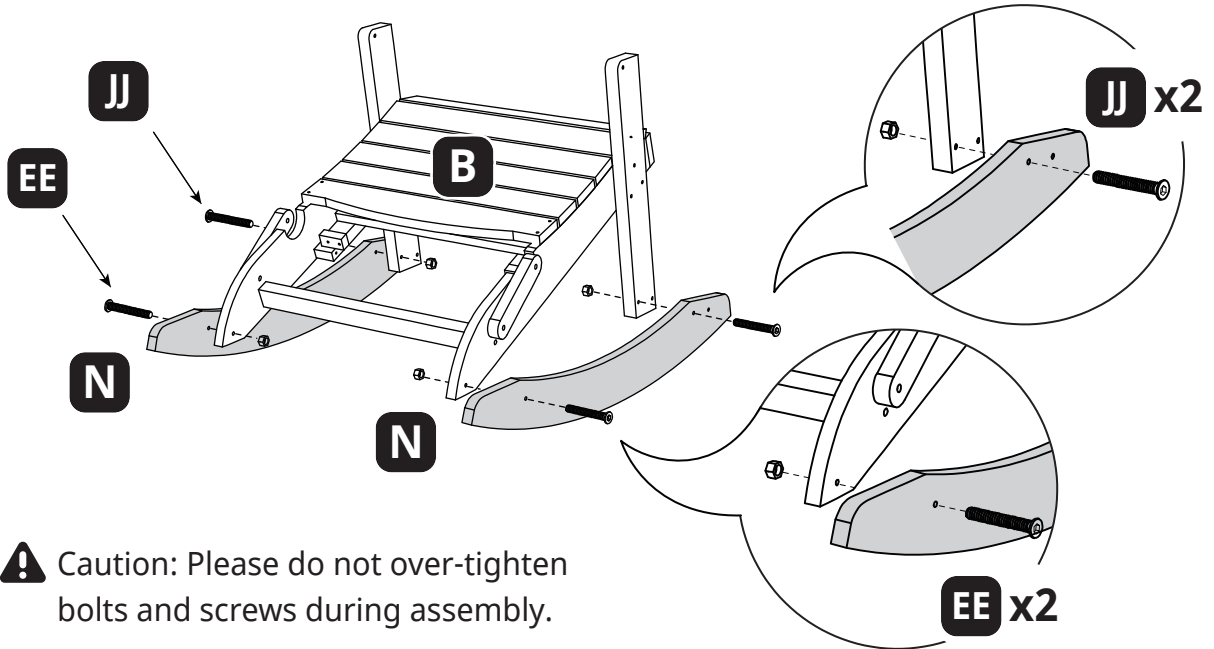
M6x50 Bolt

EE x2

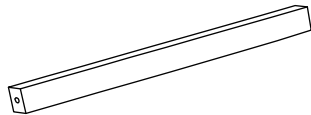


M6x55 Bolt

JJ x2



8

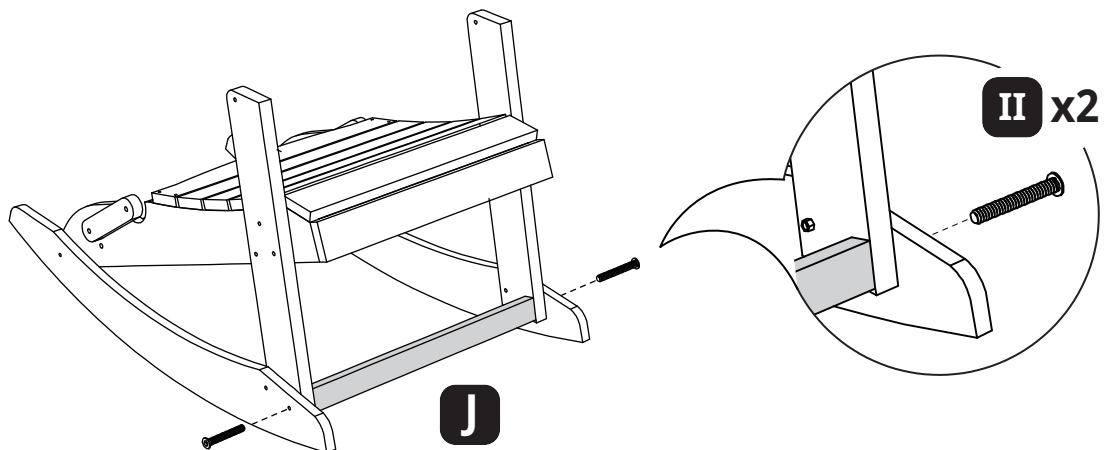


J x1

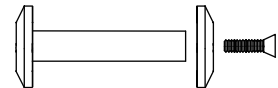
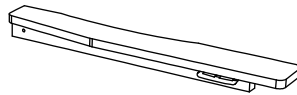
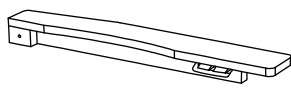


M6x60 Bolt

II x2



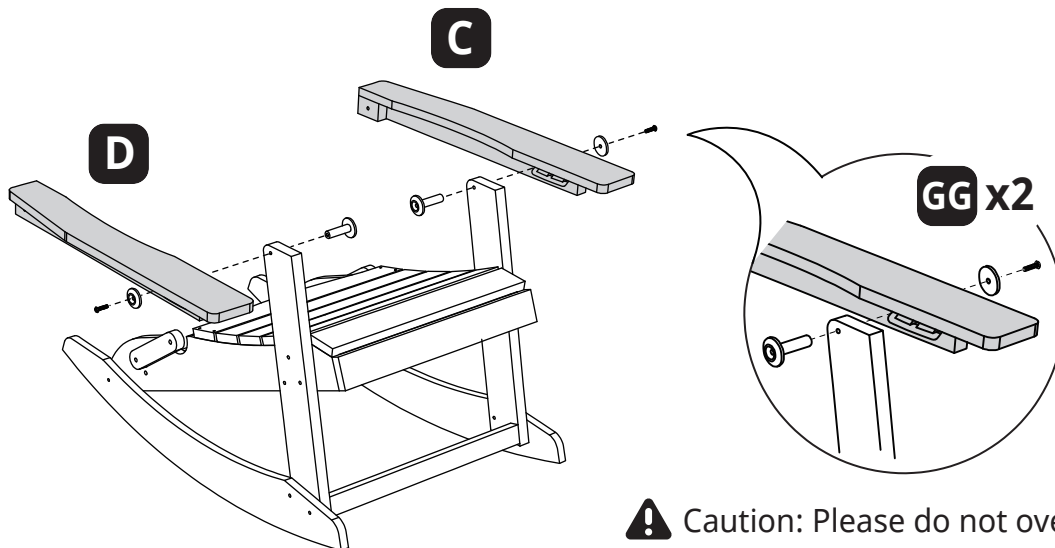
9



C x1

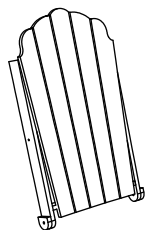
D x1

GG x2

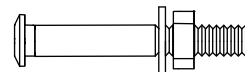


! Caution: Please do not over-tighten bolts and screws during assembly.

10

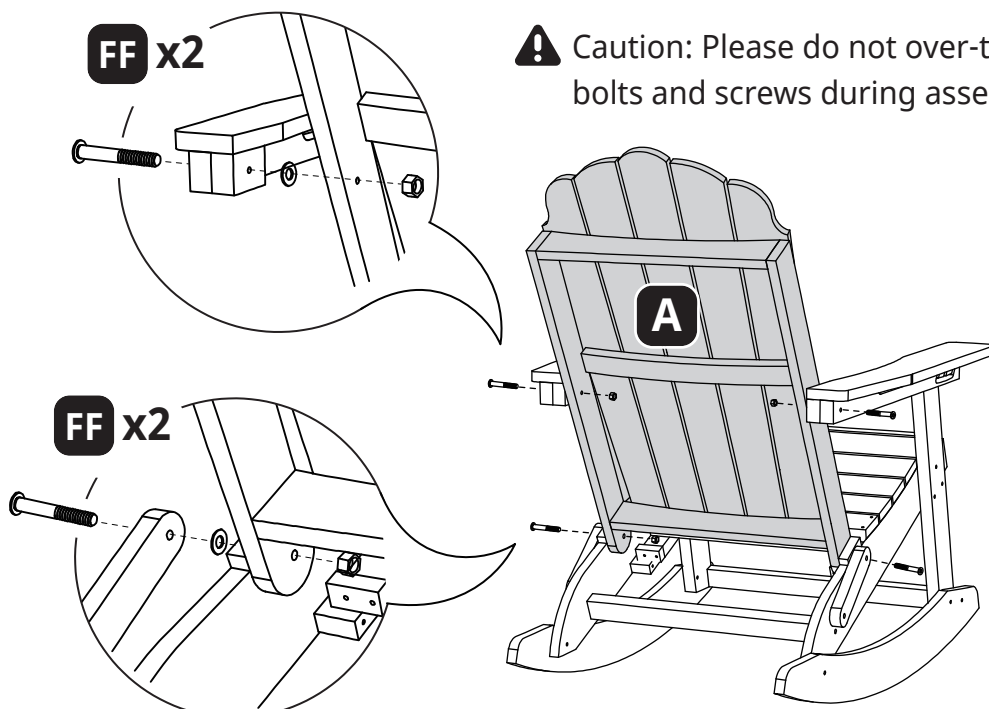


A x1



M6x80 Bolt

FF x4

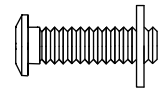


! Caution: Please do not over-tighten bolts and screws during assembly.

11

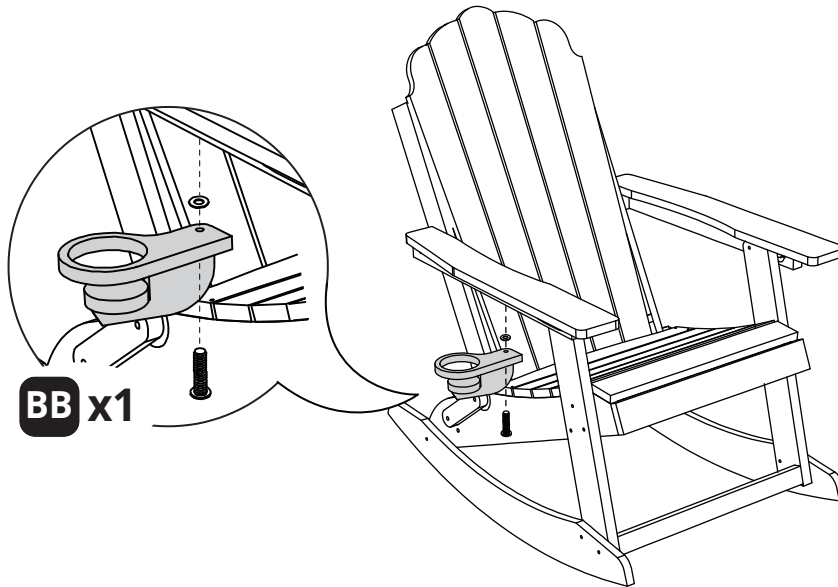


I x1

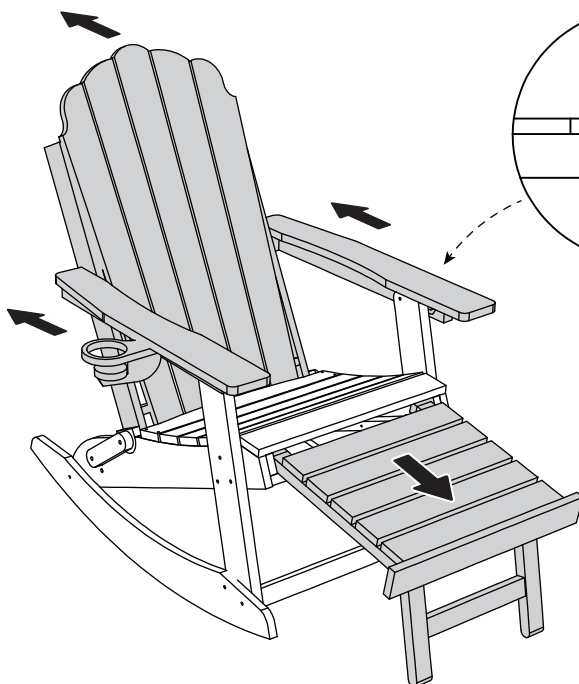
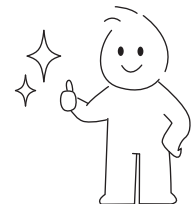


M6x30 Bolt

BB x1



Done!



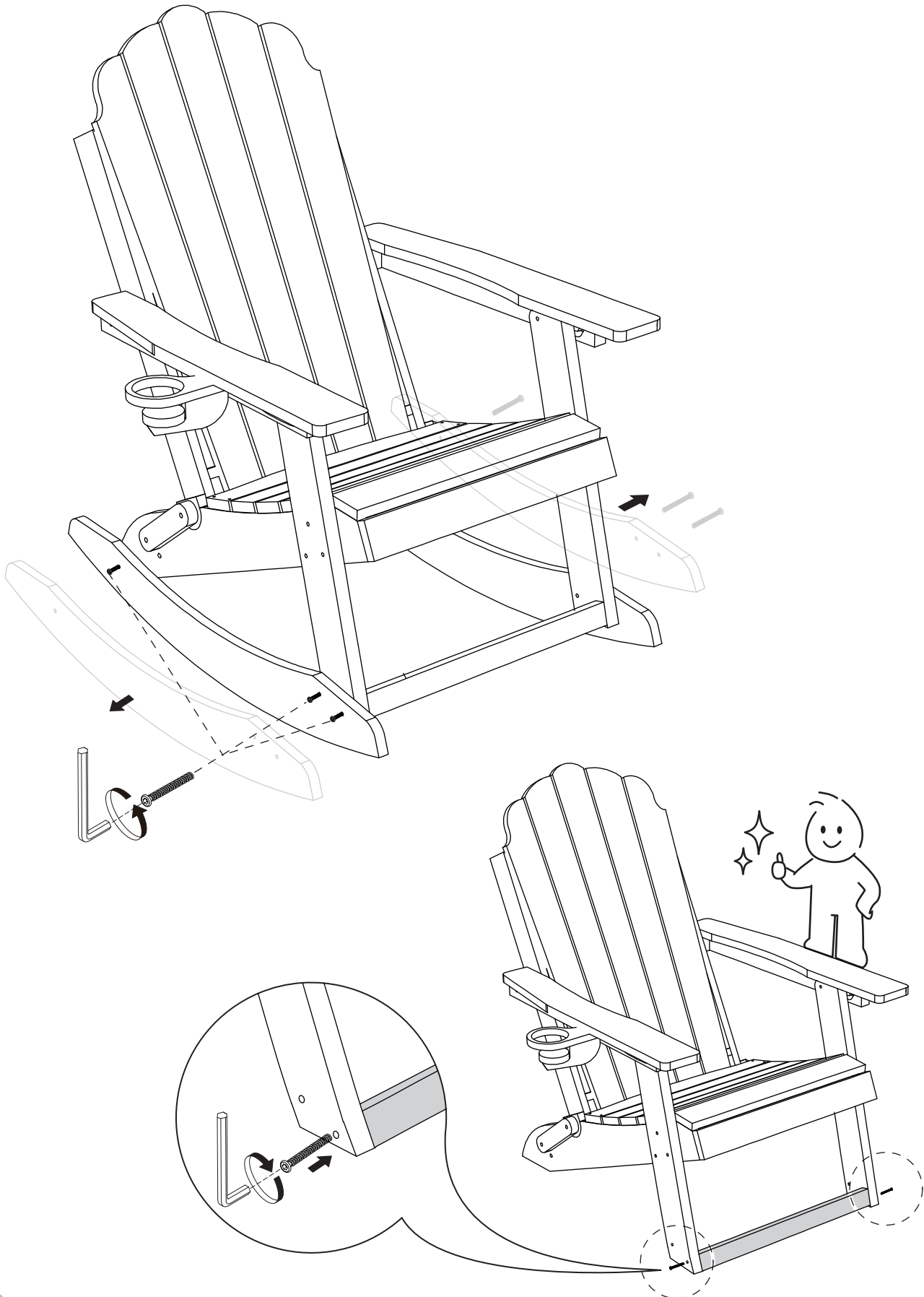
Adjustable Backrest:

Lift armrests to unlock and adjust to 3 different recline positions.

Built-in Retractable Footrest:

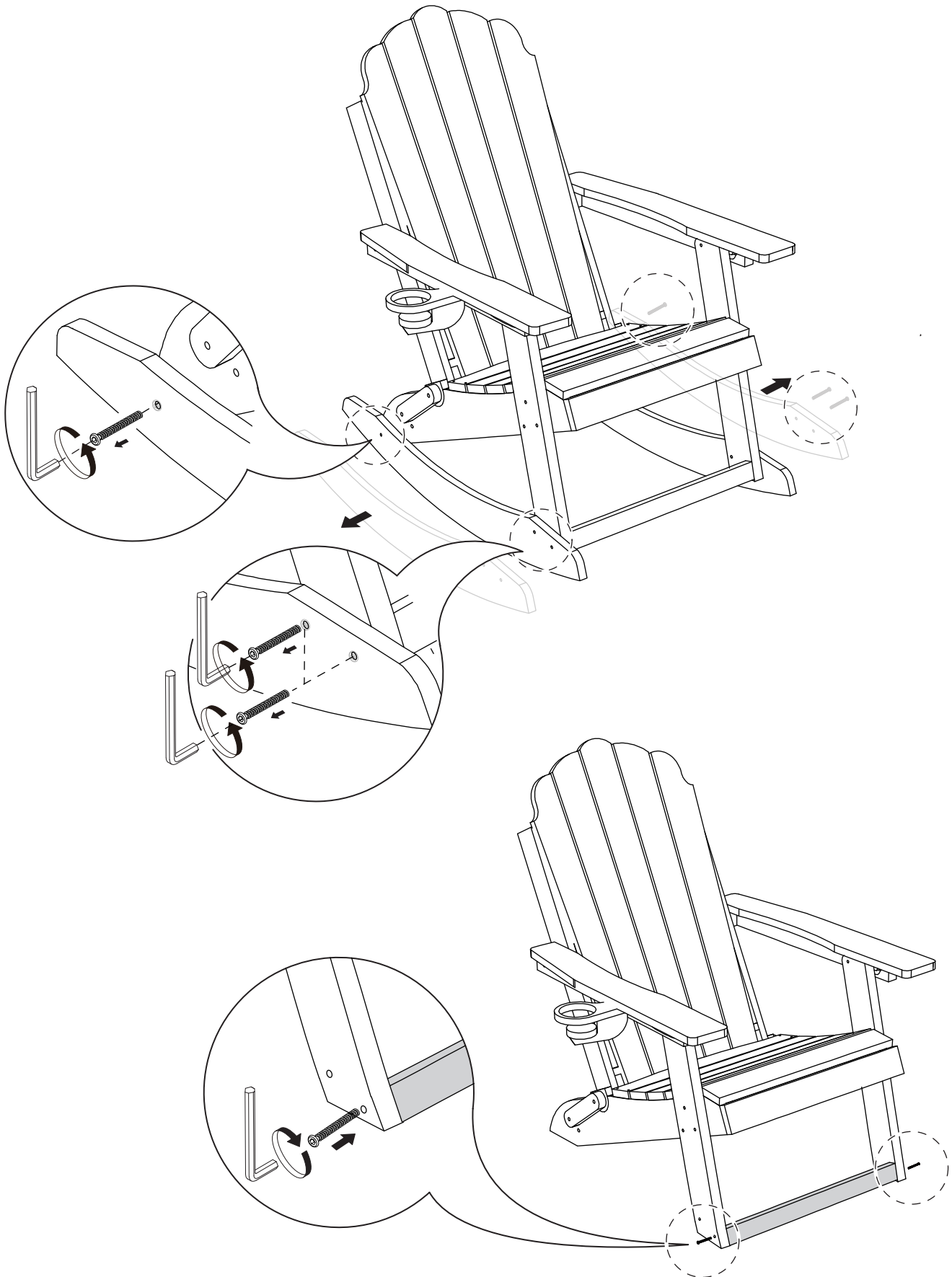
To Extend: Simply pull the footrest out completely from under the seat.
To Store: Push the footrest back under the seat until it is fully tucked away

Alternative Uses



How to Fold

1



How to Fold

2

