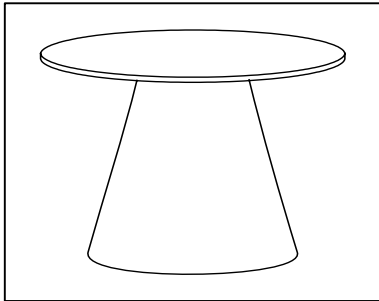


ASSEMBLY INSTRUCTIONS



**+Do Not Use
Power Tools**



**+ Suggested
Adults**



NOTE:

1. Read instructions cover to cover.
2. Save all packaging until assembly is completed.

1. IMPORTANT SAFETY INFORMATION

Do not assemble the product if any of the following parts arrived damaged

- Part # 1 - Top
- Part # 2 - Base

2. IMPORTANT ASSEMBLY INFORMATION

Assembly step : use bolt A to connect Part 1 to Part 2 .

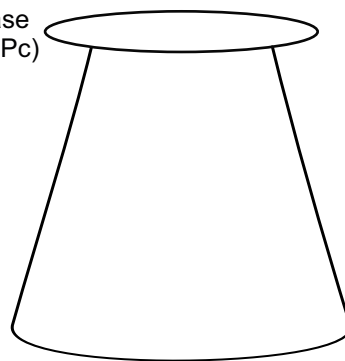
***Warning :** Do not over tighten screws, or it could damage the Table Top.

+Parts Included

① Top
(1 Pc)



② Base
(1 Pc)

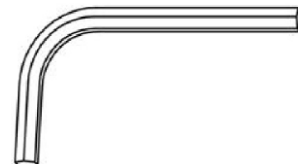


+ Hardware Included

A. Allen bolt 6 (Pcs)

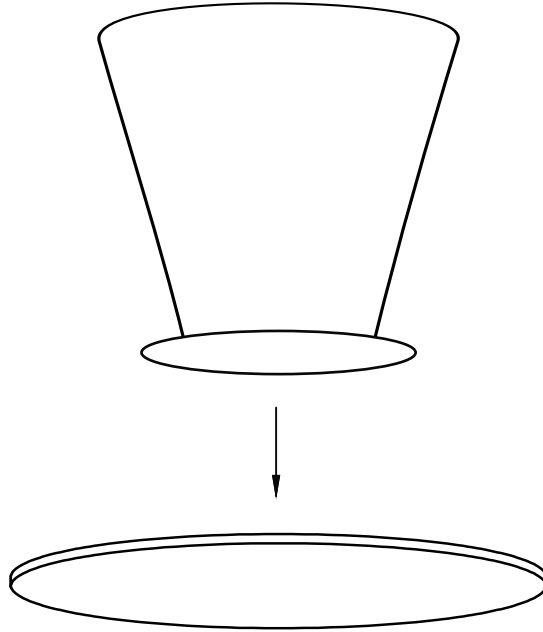


B . Allen KEY (1Pc)

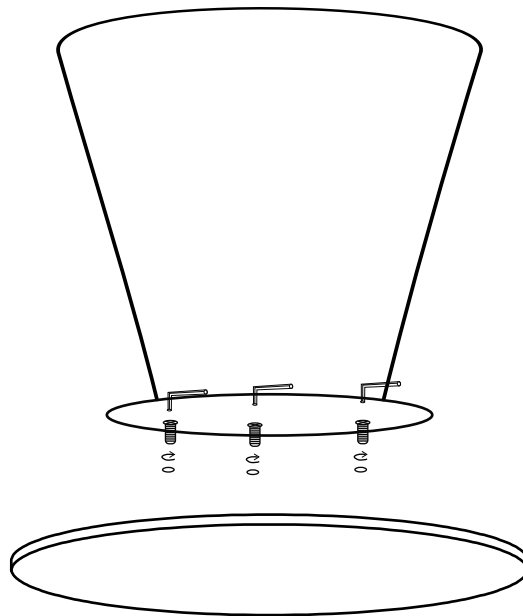


ASSEMBLY INSTRUCTIONS

1



2



Note: Do not over tighten screws