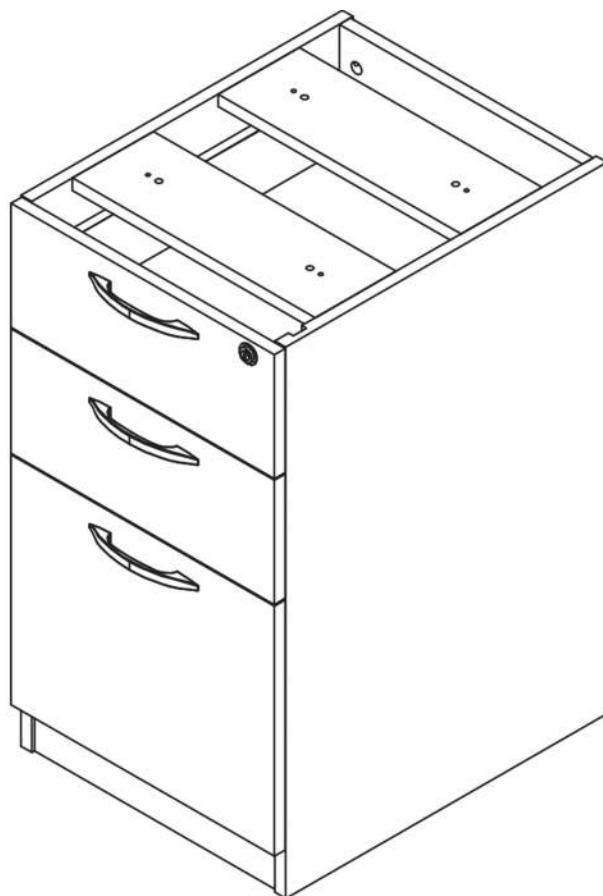


ASSEMBLY INSTRUCTIONS



HARDWARE

A: Glider
M6*25mm



4 pcs

B: Handle



3 pcs

C: Screw(ST4*20)



6 pcs

D: Screw
M6*30mm



4 pcs

E: Screw
M4*35mm



4 pcs

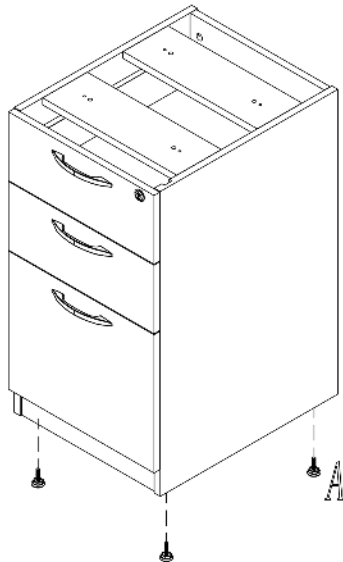
F: Movable slipway
318



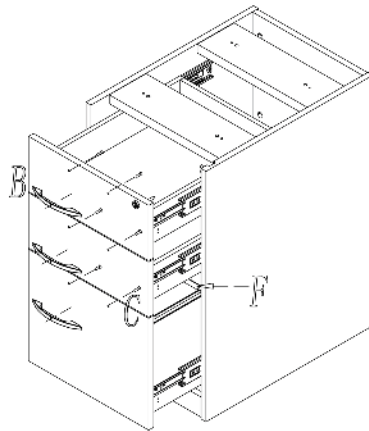
1 pcs

STEP 1

A  4 pcs




STEP 2

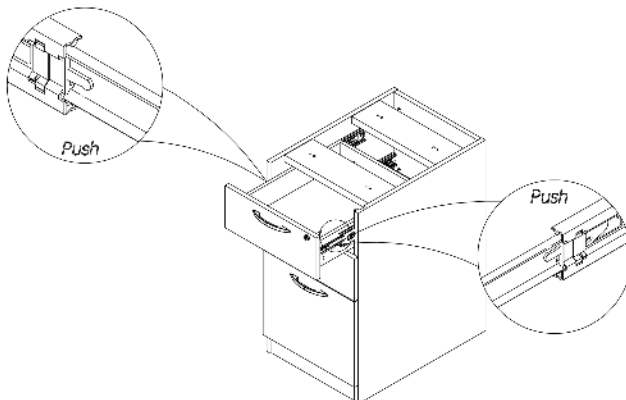


B  3 pcs

C  6 pcs

F  1 pcs

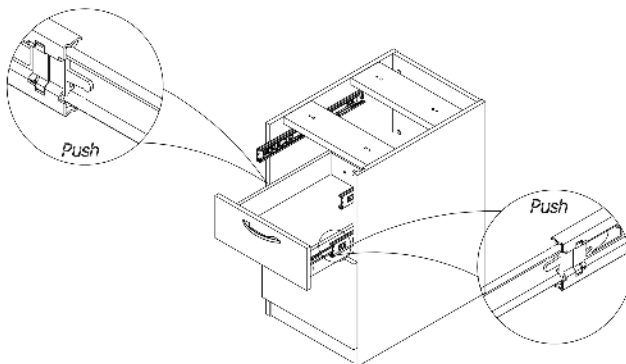
STEP 3



Remove the drawer on the top:

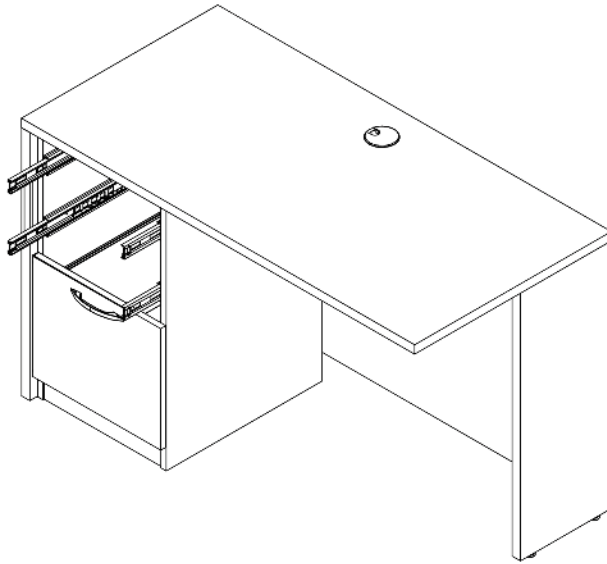
Pull out the drawer and carefully see the guide rail on both side, you will find the green plastic buckle. Press down the green plastic buckle on the right side and pull up the one on the left side on the same time, then the drawer will can be removed.

STEP 4



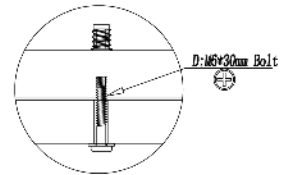
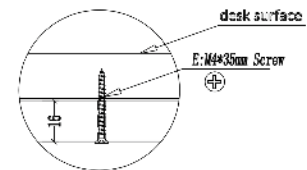
Remove the middle drawer in the same way as in the previous step

STEP 5



D  4 pcs

E  4 pcs



Put the cabinet under the desk
and lock the screw or threaded rod.

Thank you for your recent order.

We strive to provide customers with great services
and satisfaction.

If any questions, please contact us.

Our customer support team is ready to help!