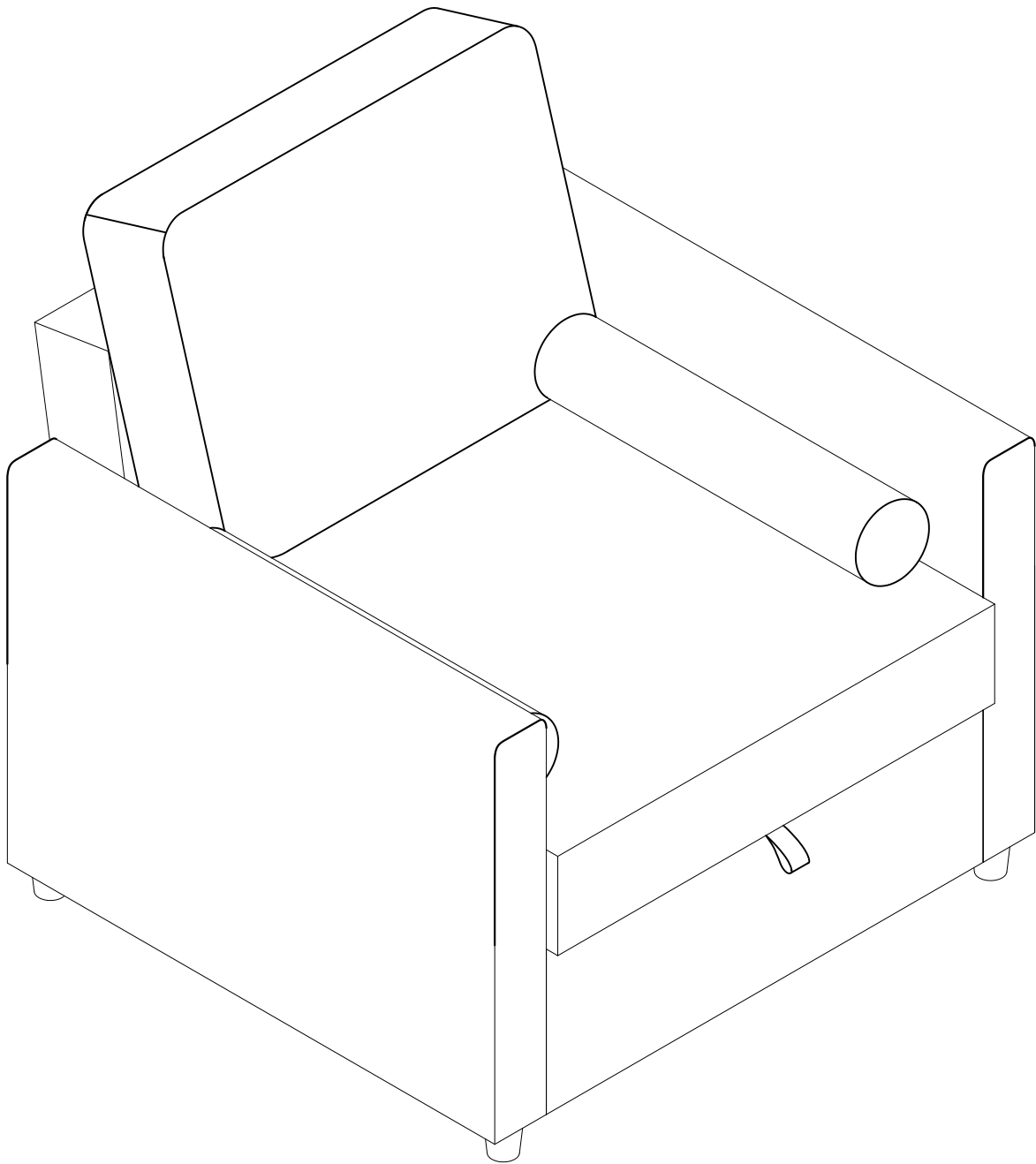
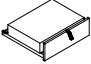

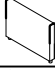
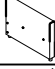
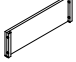











ASSEMBLY INSTRUCTION

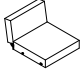
ITEM NO.: N701P179768-N701P179769



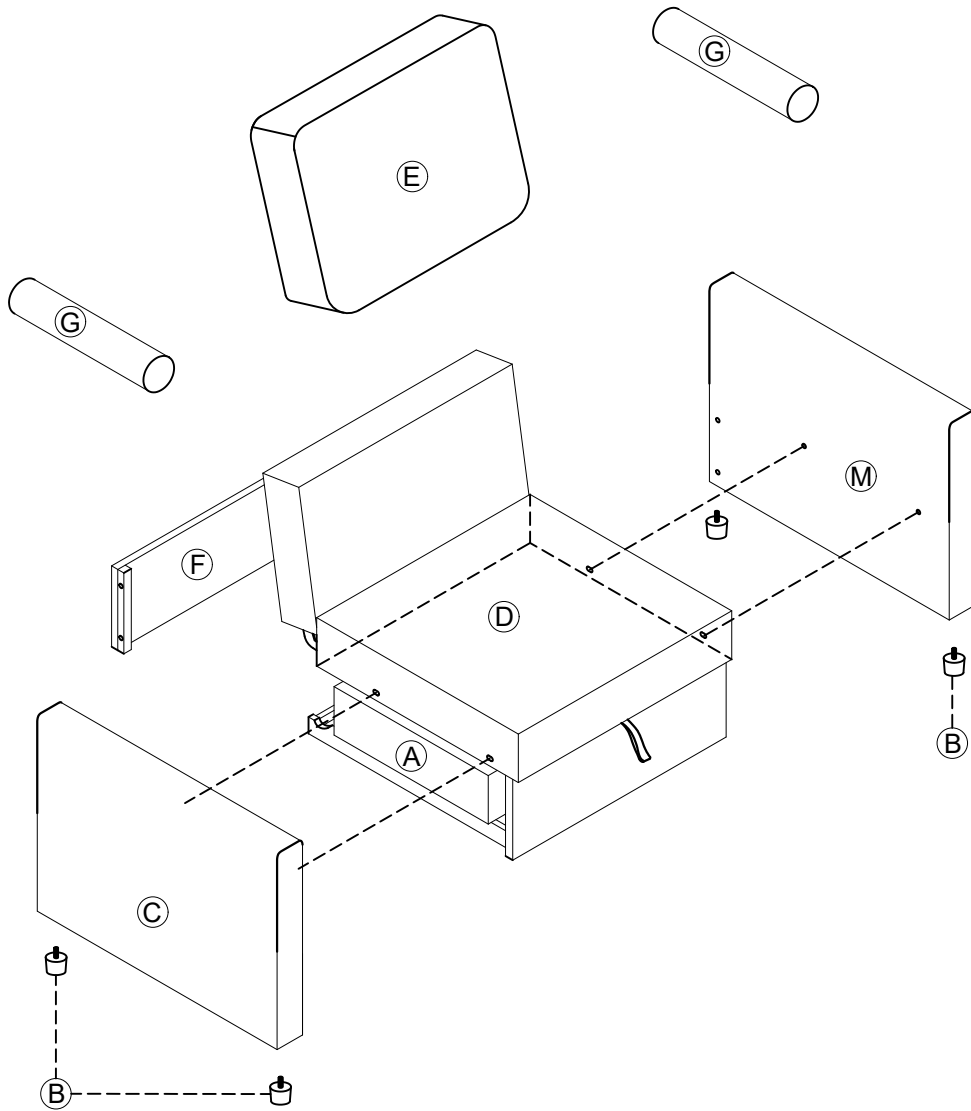
N701P179769 -COMPONENT LIST

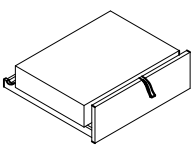
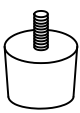
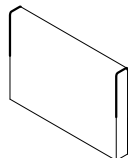
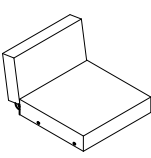
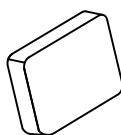
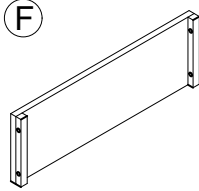
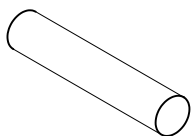




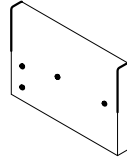

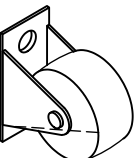
NO.	DRAWING	QTY	DESCRIPTION
A		1	Pull seat
B		4	Round legs
C		1	Left Arm
M		1	Right Arm
F		1	Back Panel
G		2	Pillows
E		1	Back Cushion
H		4	Bolt Ø5/16"x50MM
I		4	Bolt Ø5/16"x65MM
J		1	Allen key
K		8	Spring Washer Ø5/16"
L		8	Flat Washer Ø5/16"
N		8	Bolt Ø1/4"x20MM
O		4	Wheel

N701P179768 -COMPONENT LIST

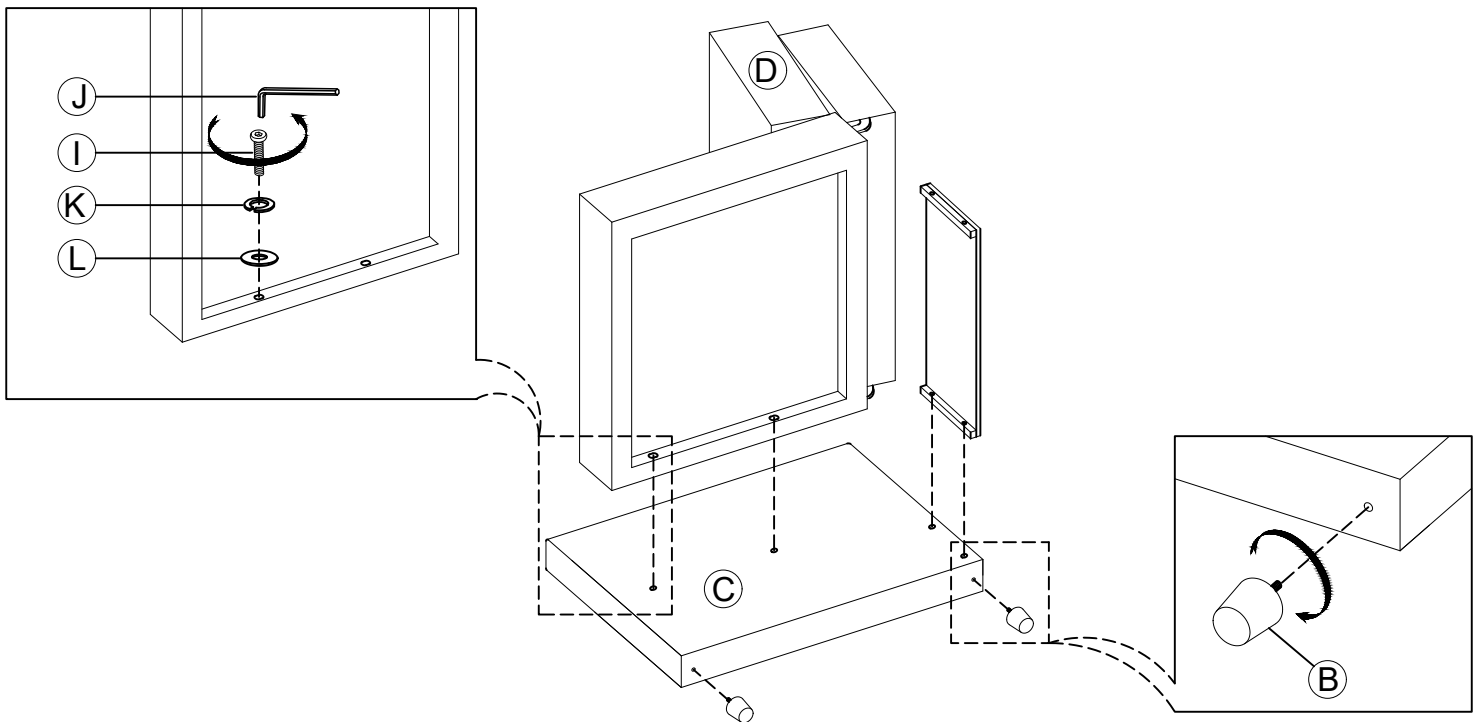
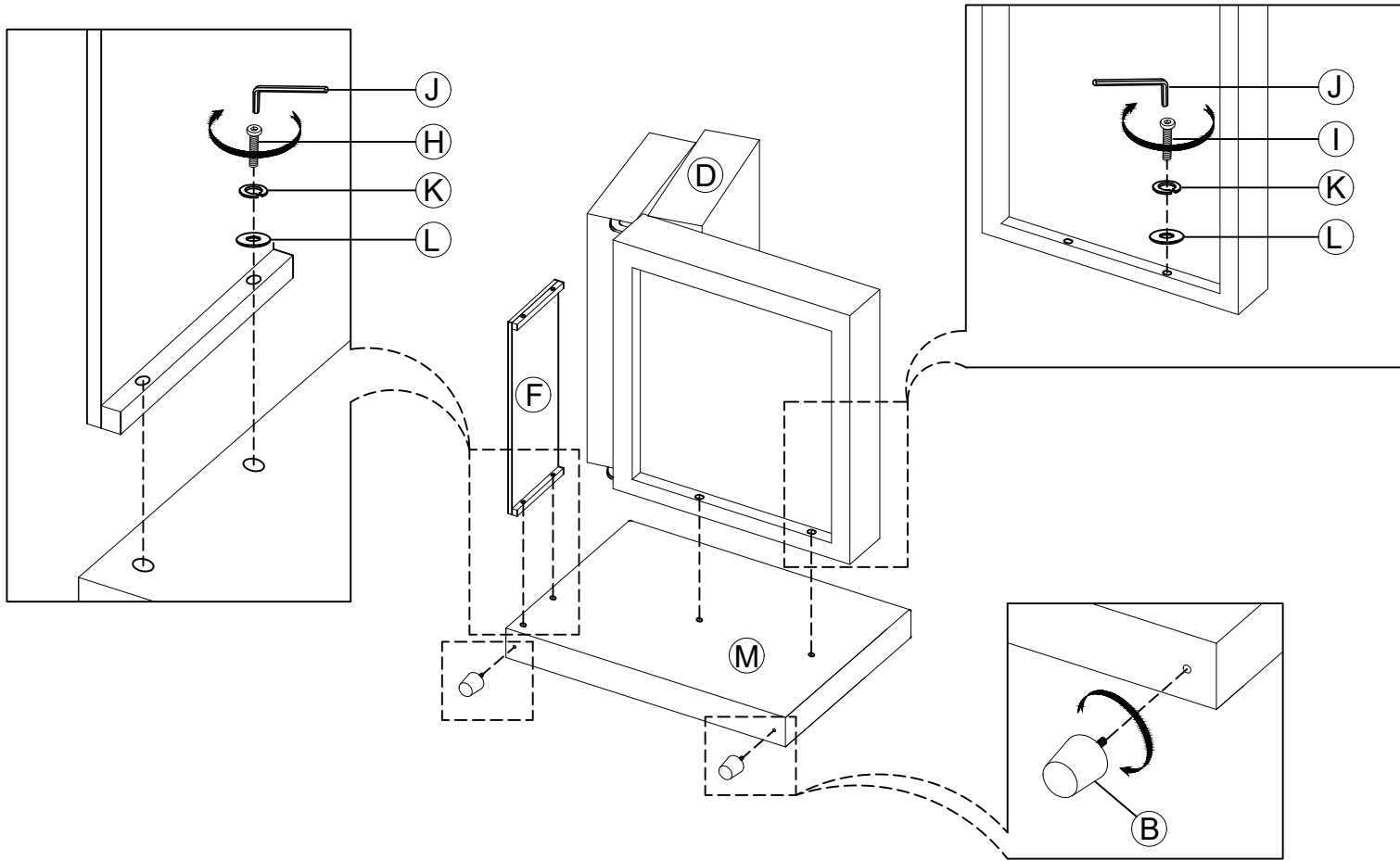
NO.	DRAWING	QTY	DESCRIPTION
D		1	Seat & Backrest

PARTS LIST

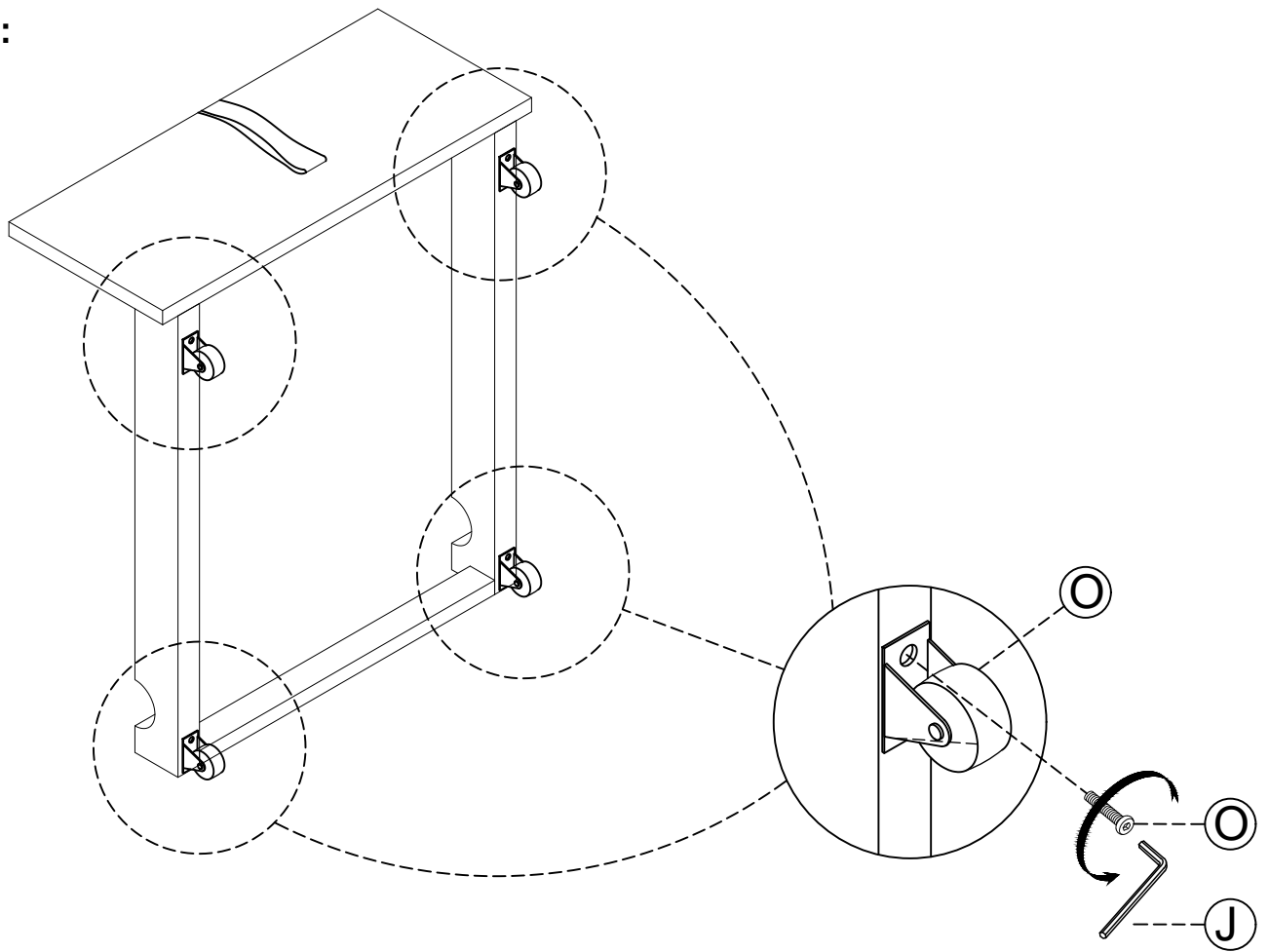


<p>A</p>  <p>Pull seat X 1PC</p>	<p>B</p>  <p>Round legs X 4PCS</p>	<p>C</p>  <p>Left Arm X 1PC</p>	<p>D</p>  <p>Seat & Backrest X 1PC</p>	<p>E</p>  <p>Back Cushion X 1PC</p>	<p>F</p>  <p>Back Panel X 1PC</p>	<p>G</p>  <p>Pillows x2pcs</p>
<p>H</p>  <p>Bolt Ø5/16"x50MM X 4 PCS</p>	<p>I</p>  <p>Bolt Ø5/16"x65MM X 4 PCS</p>	<p>J</p>  <p>Allen key X 1PC</p>	<p>K</p>  <p>Spring Washer Ø5/16" X 8 PCS</p>	<p>L</p>  <p>Flat Washer Ø5/16" X 1PCS</p>	<p>M</p>  <p>Right Arm X 1PC</p>	<p>N</p>  <p>Bolt Ø1/4"x20MM X 8 PCS</p>
<p>O</p>  <p>Wheel X 4 PCS</p>						

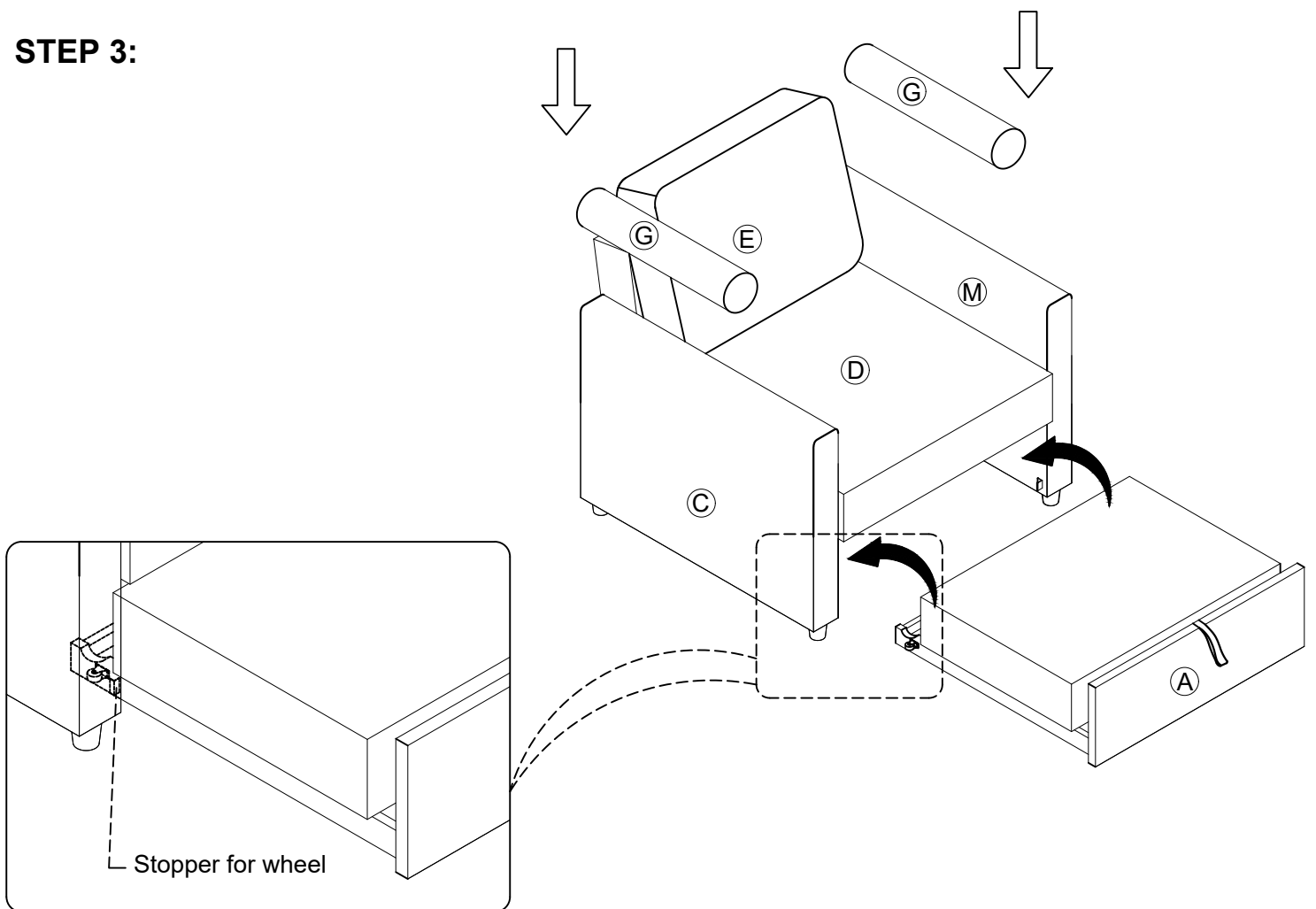
STEP 1:



STEP 2:



STEP 3:



Helpful Hints

- The chair can transform into a sleeper
- Move your new furniture carefully, with two people lifting and carrying the unit to its new location.
- Your furniture can be disassembled and reassembled to move.
- Clean the product with a soft damp cloth. DO NOT use harsh chemicals or abrasive cleaners.

COMPLETED

