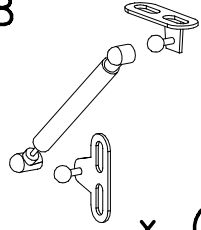
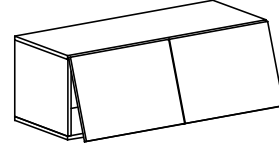


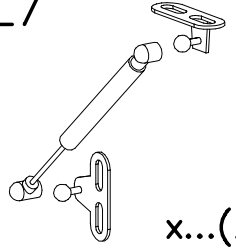
L8



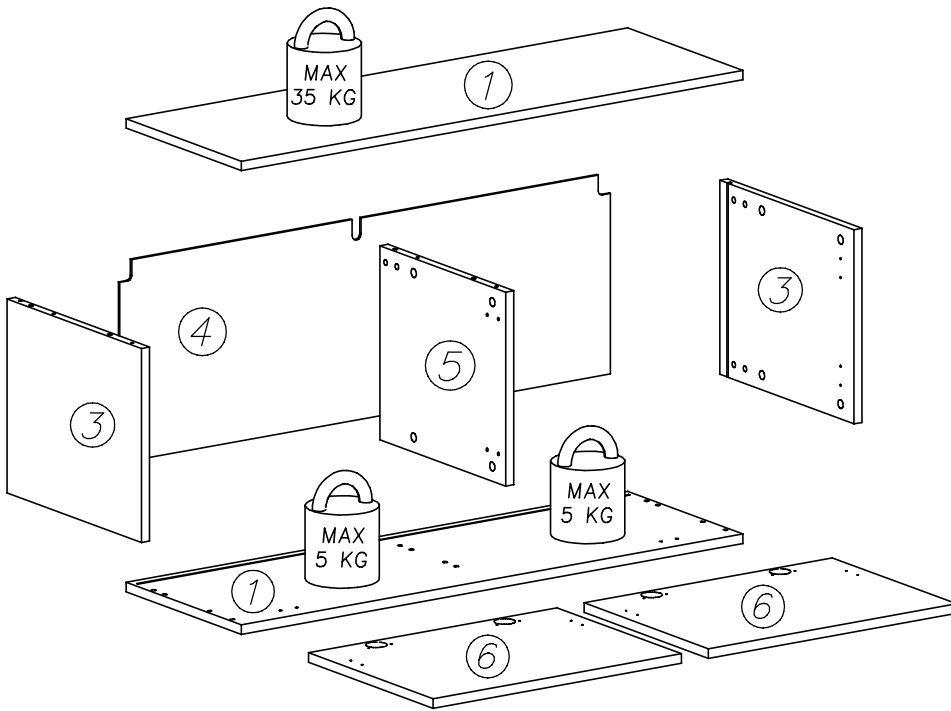
x...(2)



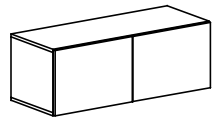
L7



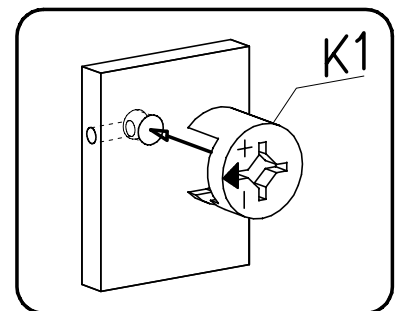
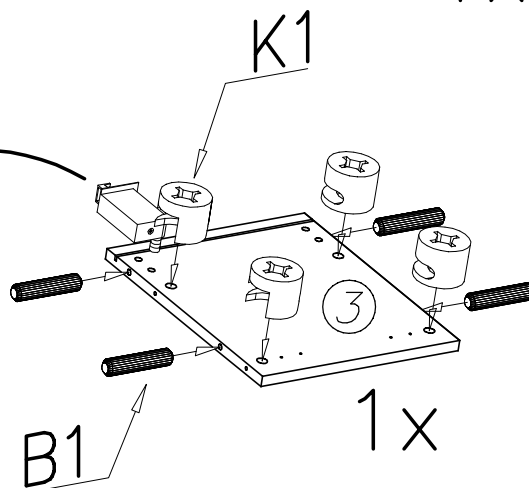
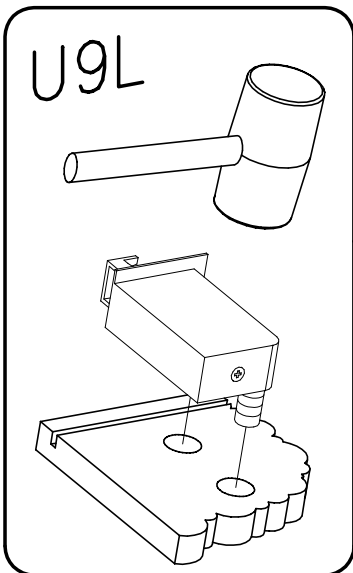
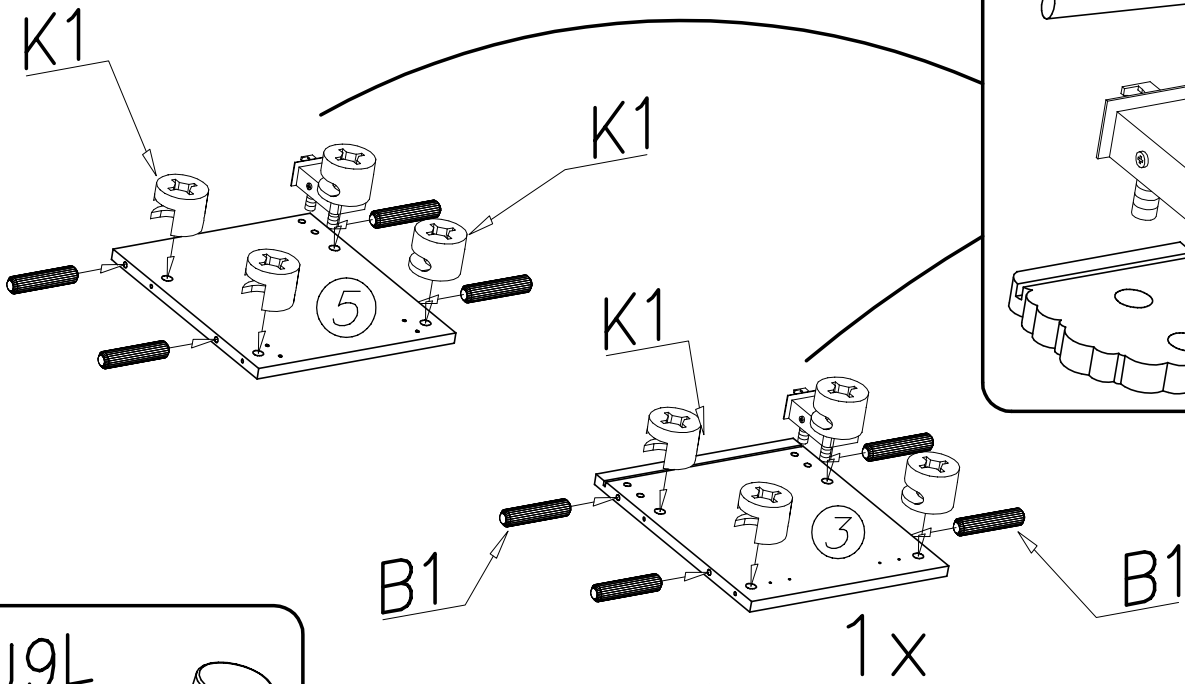
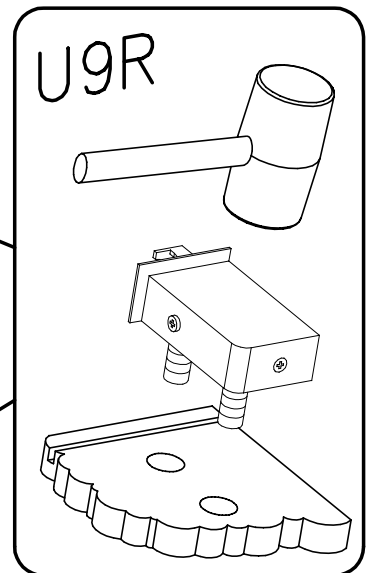
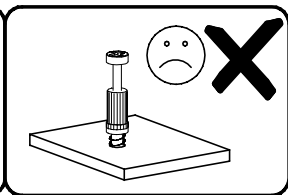
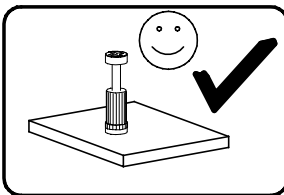
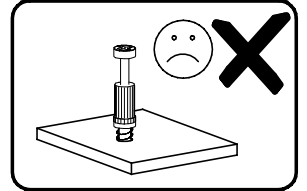
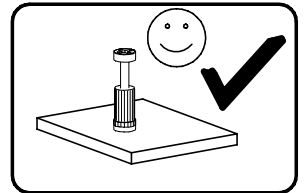
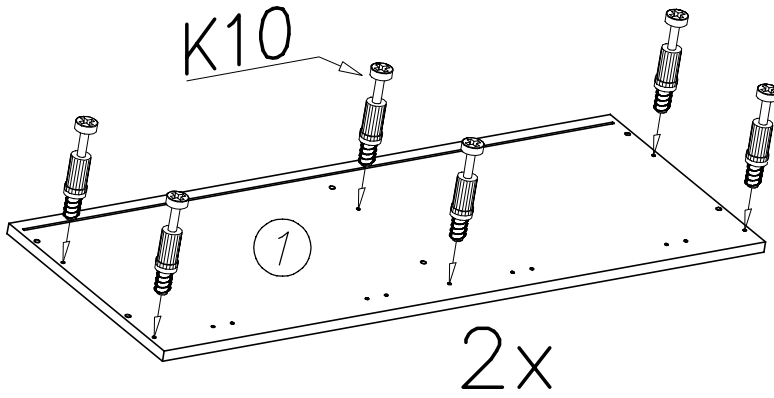
x...(2)

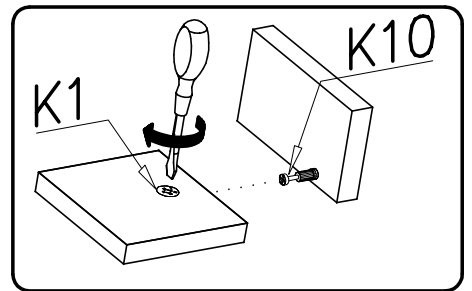
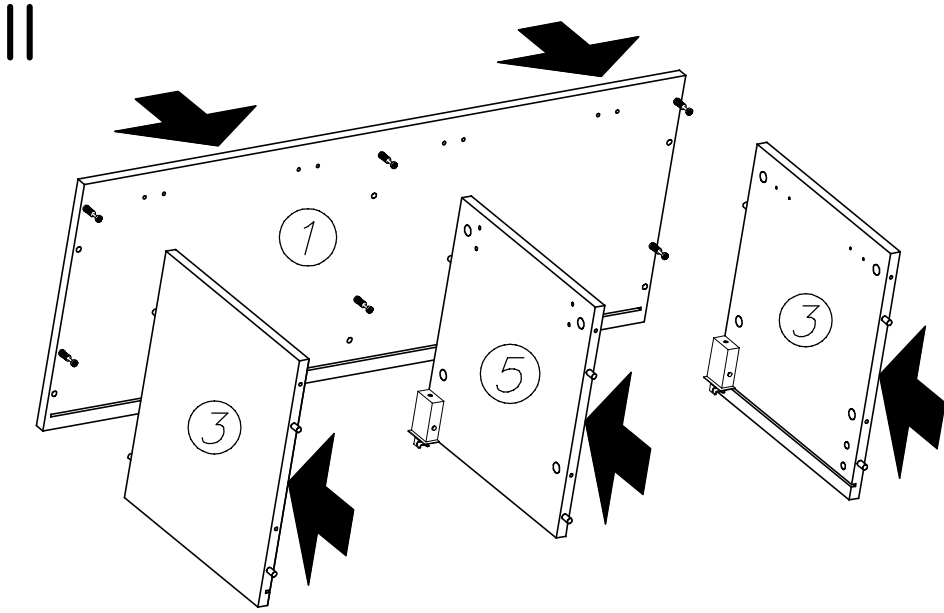
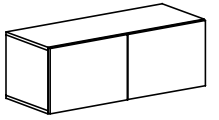


N7 M4x15 x...(2)	G32 3,5x16 x...(16)	I4 ø5 x...(4)	I10 ø10 x...(4)	L13 x...(2)
U9L x...(1)	U9R x...(2)	U10L x...(1)	U10R x...(2)	G57 3,5x16 x...(4)
K1 ø15x12 x...(12)	I7 x...(12)	I1 x...(6)	U7 x...(3)	U8 ø10x60 x...(3)
K10 x...(12)	B1 ø8x35 x...(12)	C3 Z35PR x...(4)	D3 PZ35PR x...(4)	G34 3,5x16 x...(11)

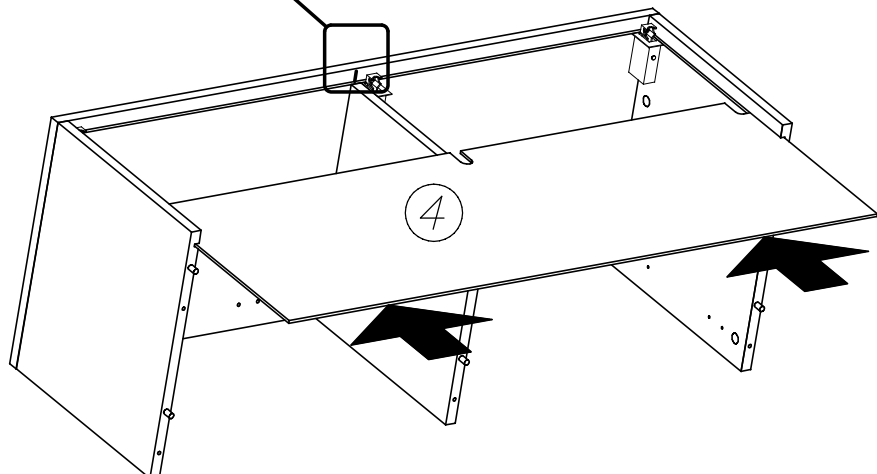
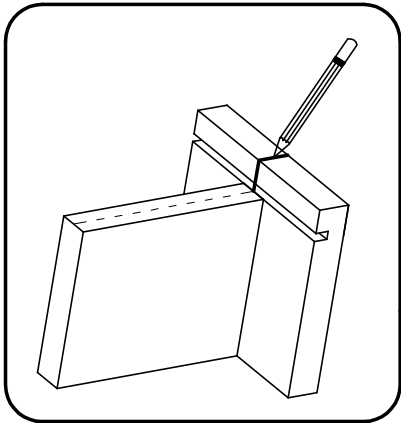


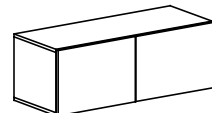
I



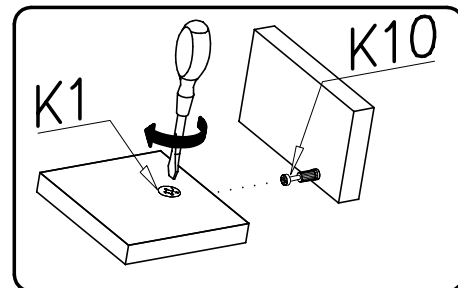
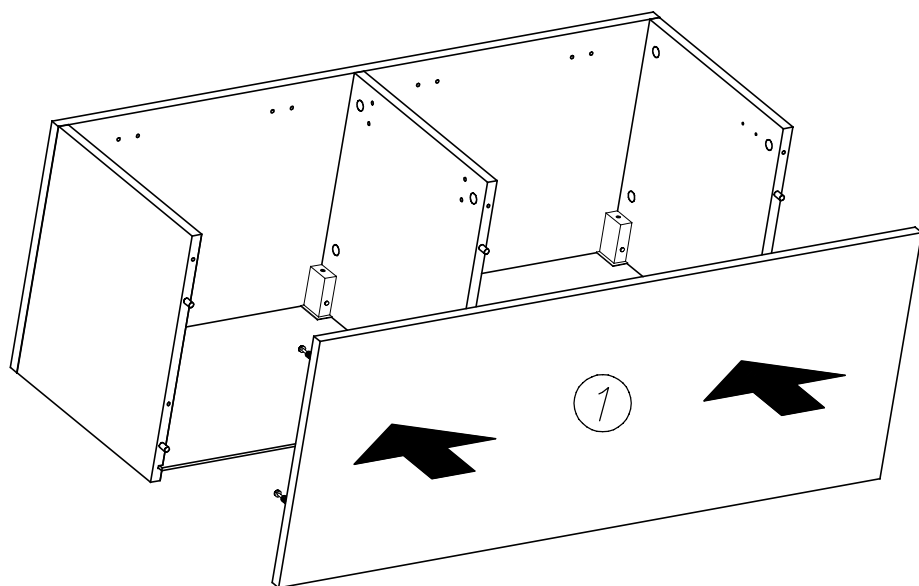


III

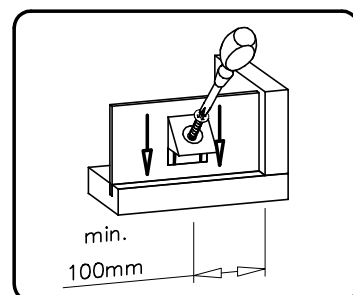
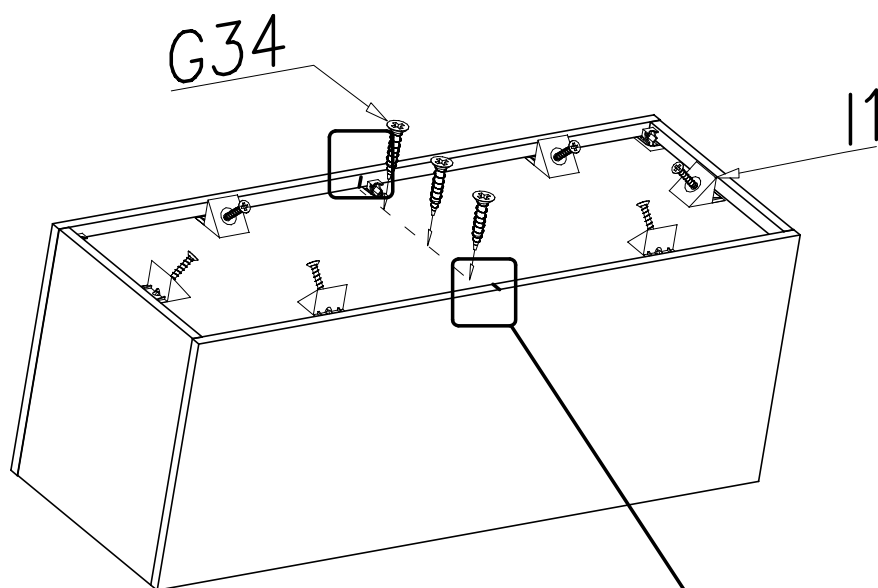




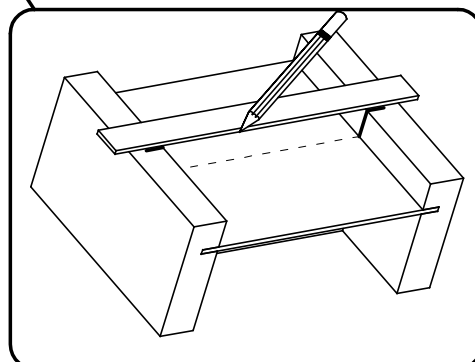
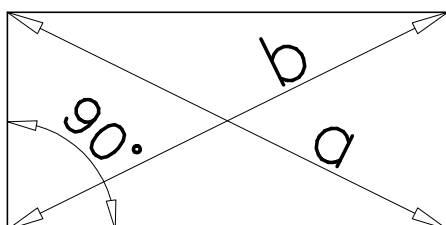
# IV

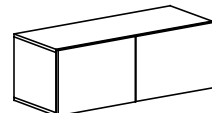


# V

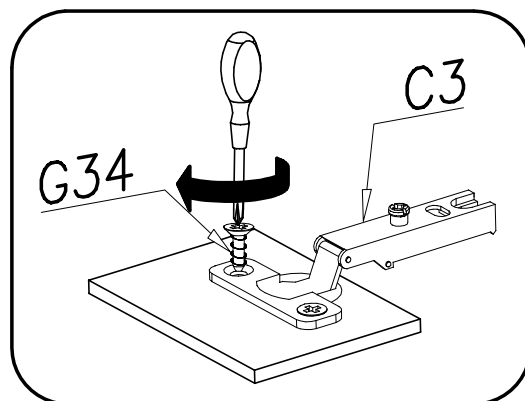
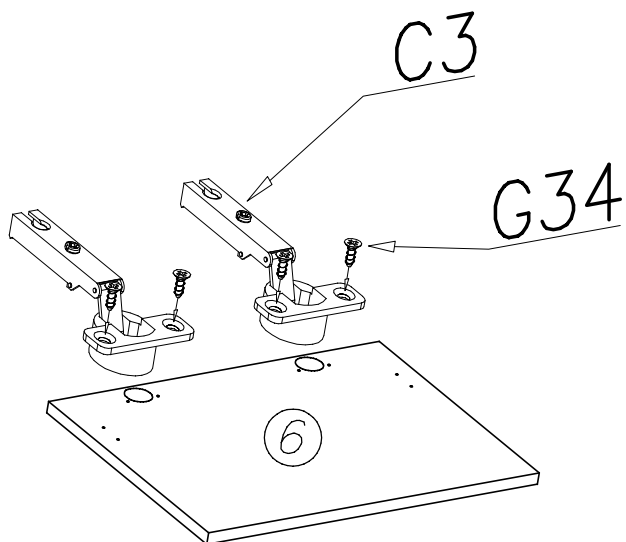


$$a = b$$

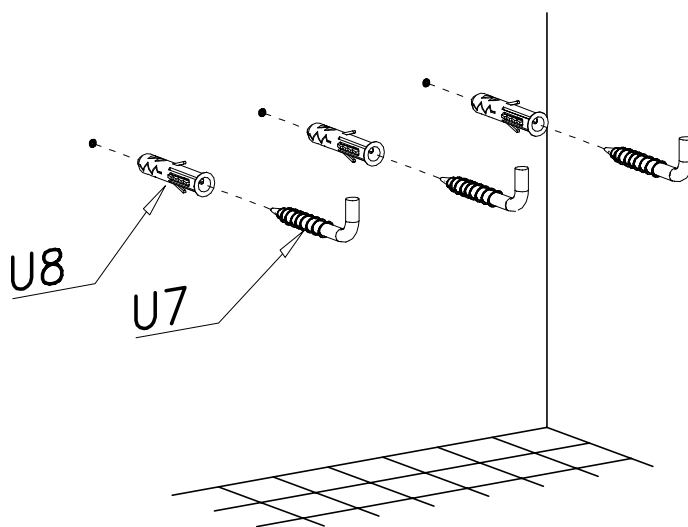
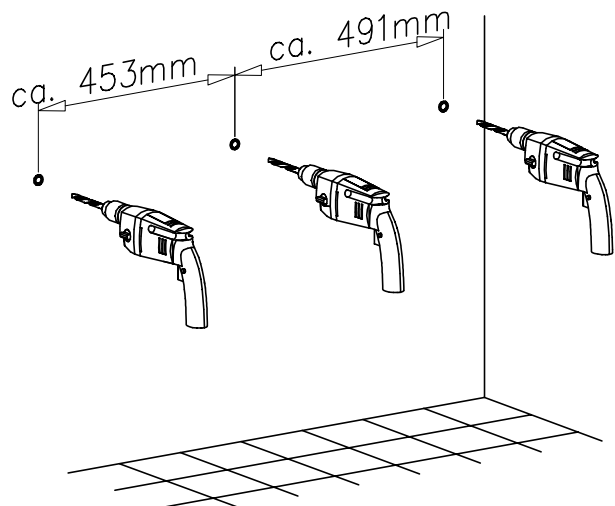
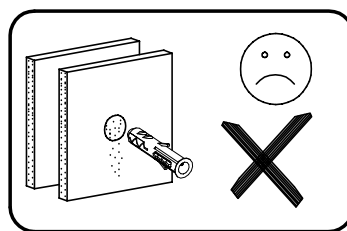
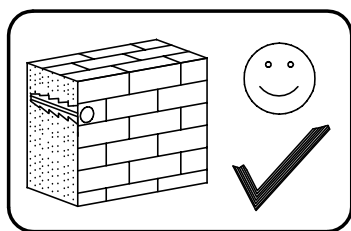


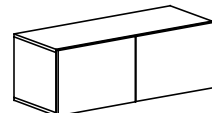


# VI

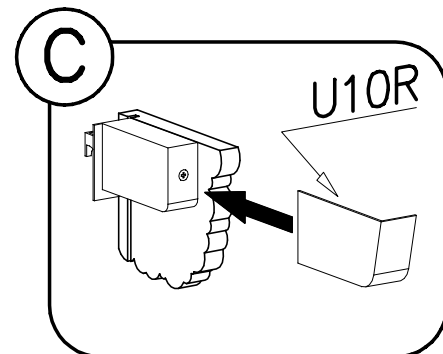
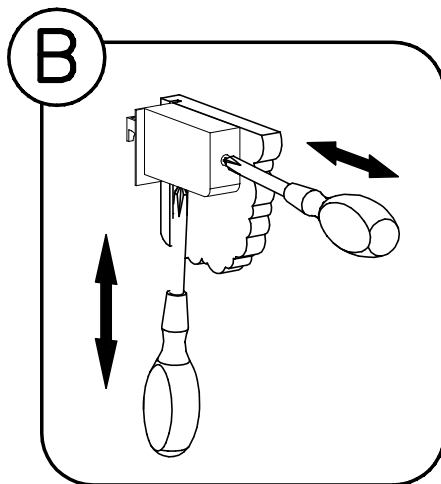
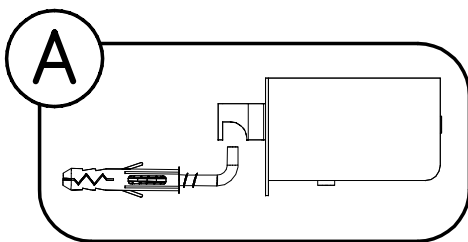
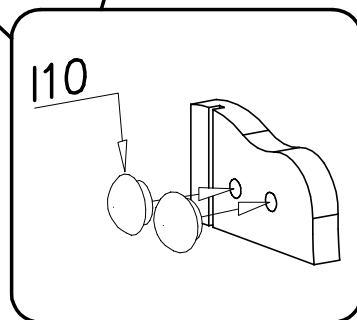
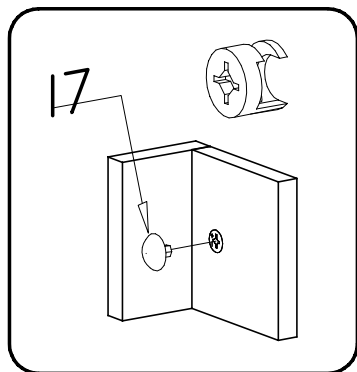
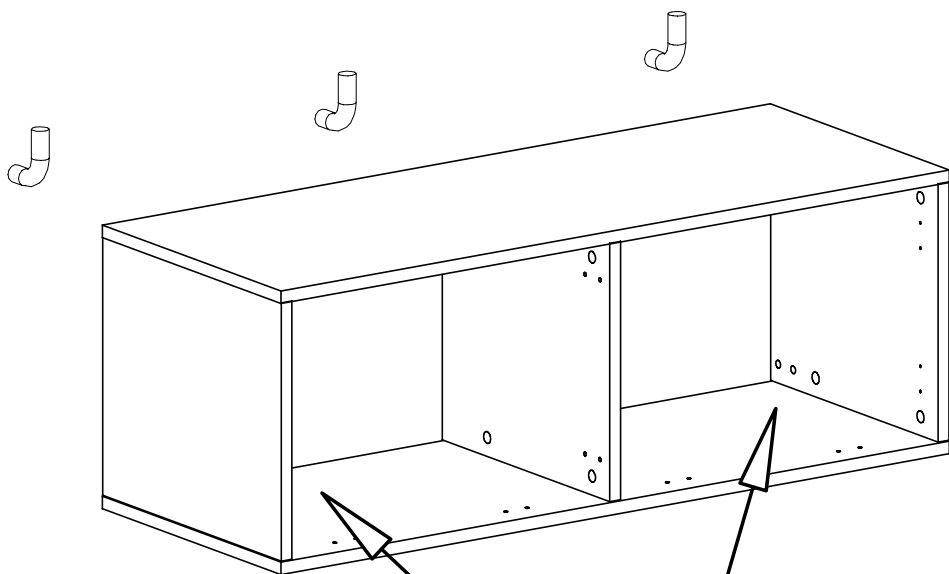


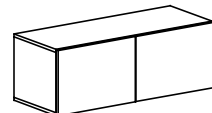
# VII



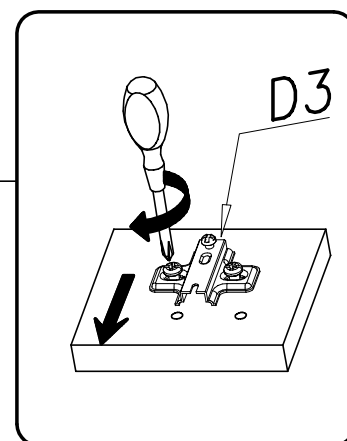
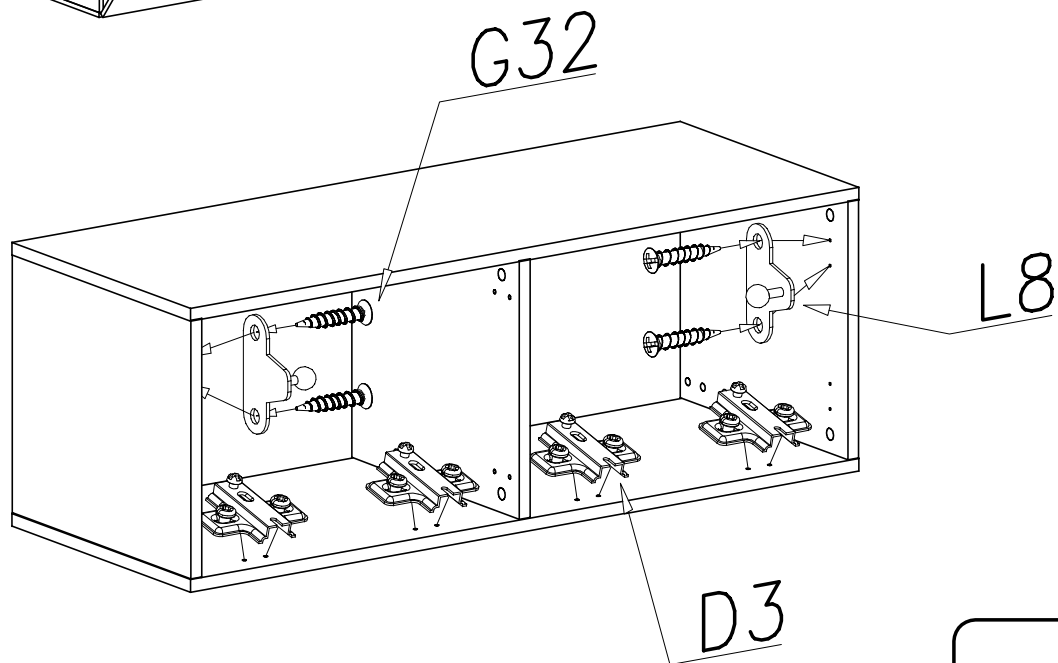
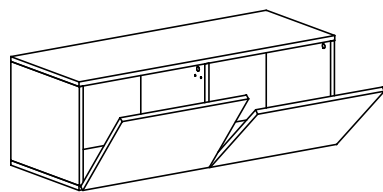


# VIII

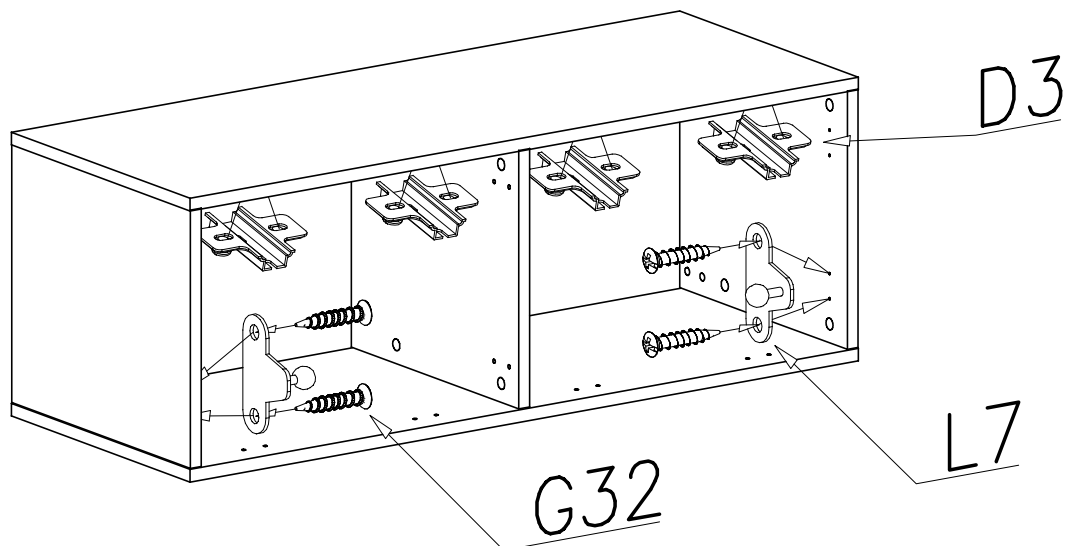
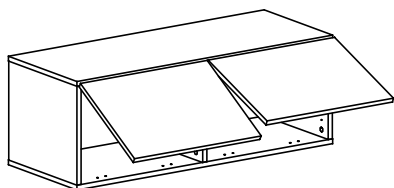


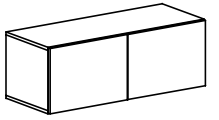


IX

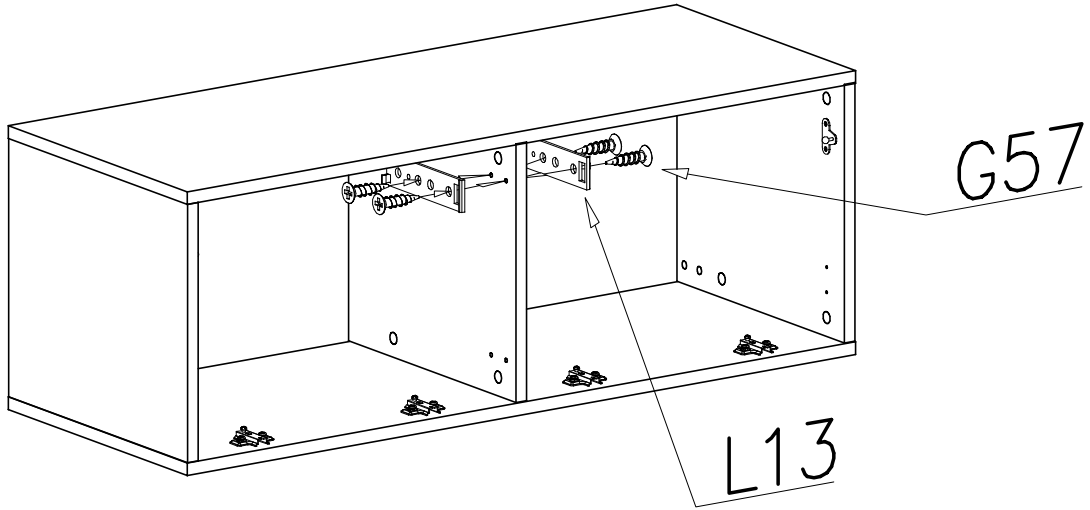
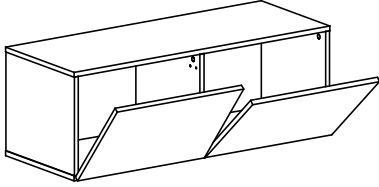


IX

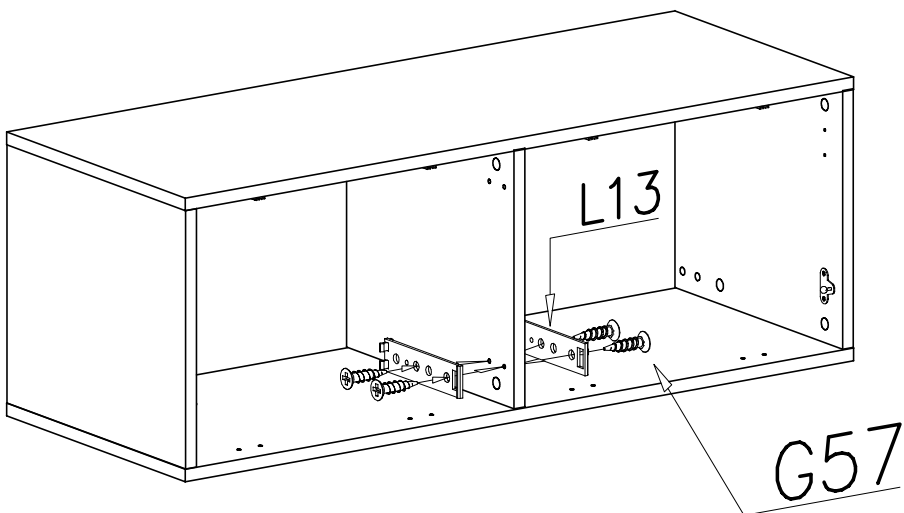
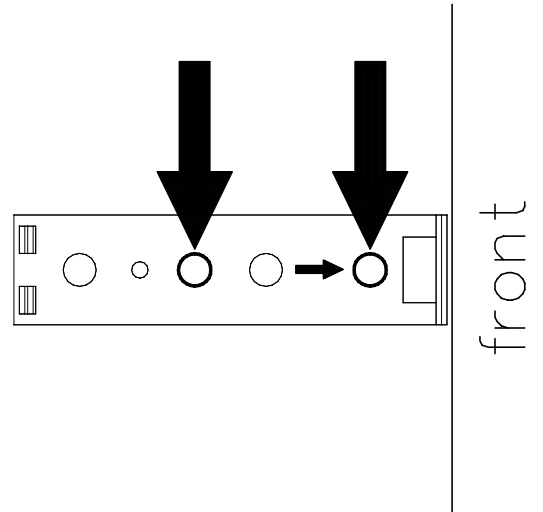
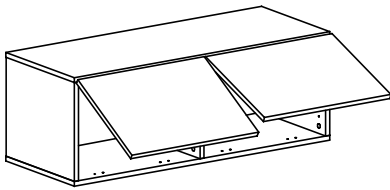


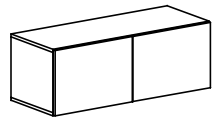


X

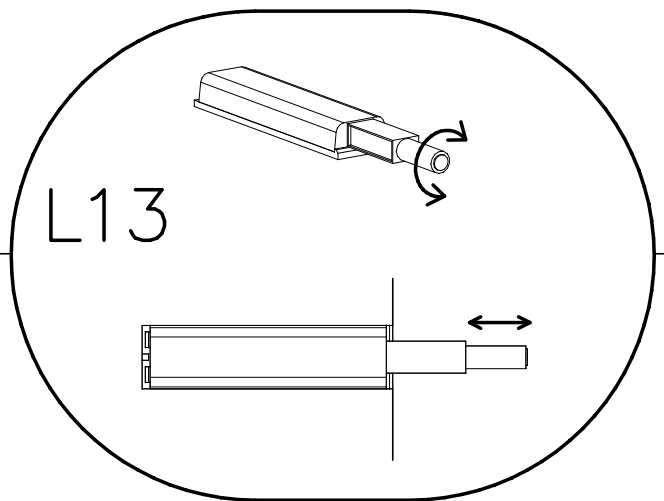
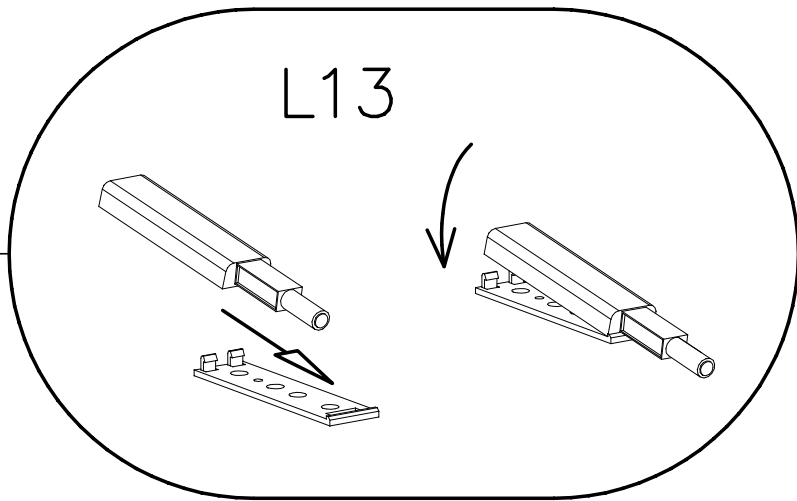
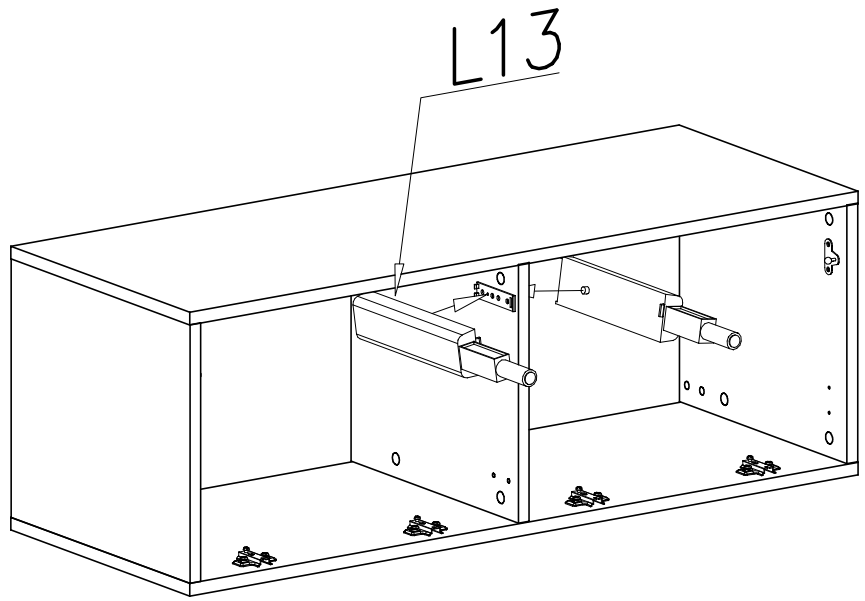
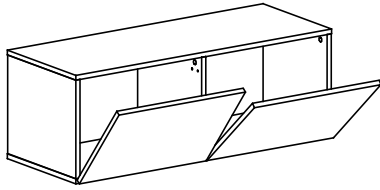


X

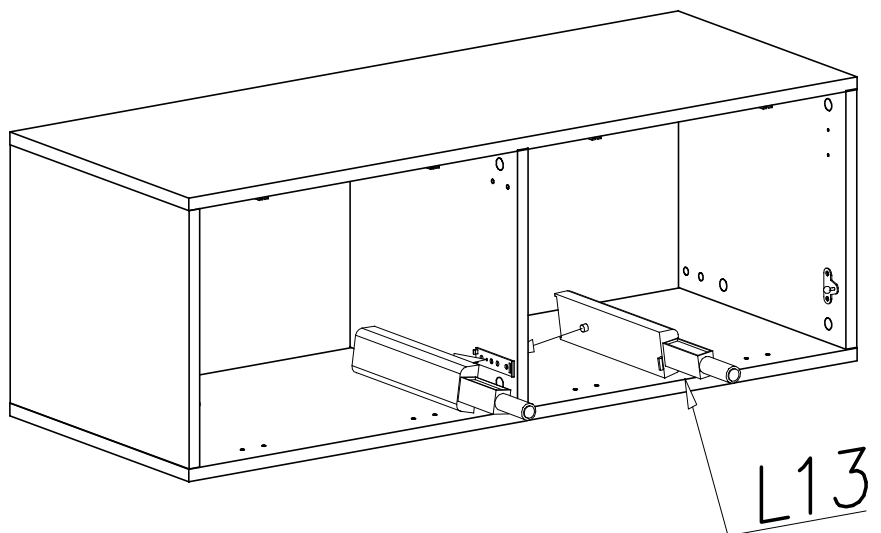
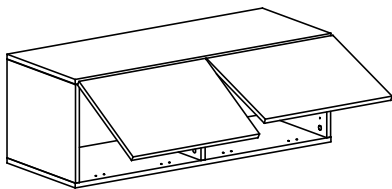


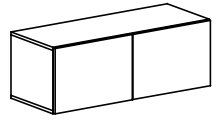


XI

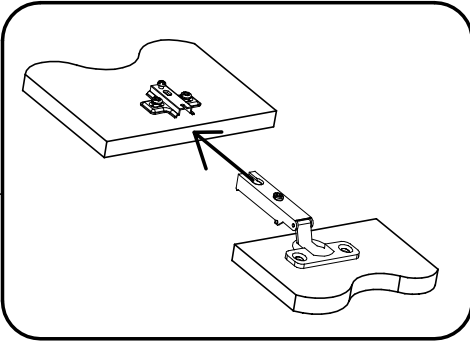
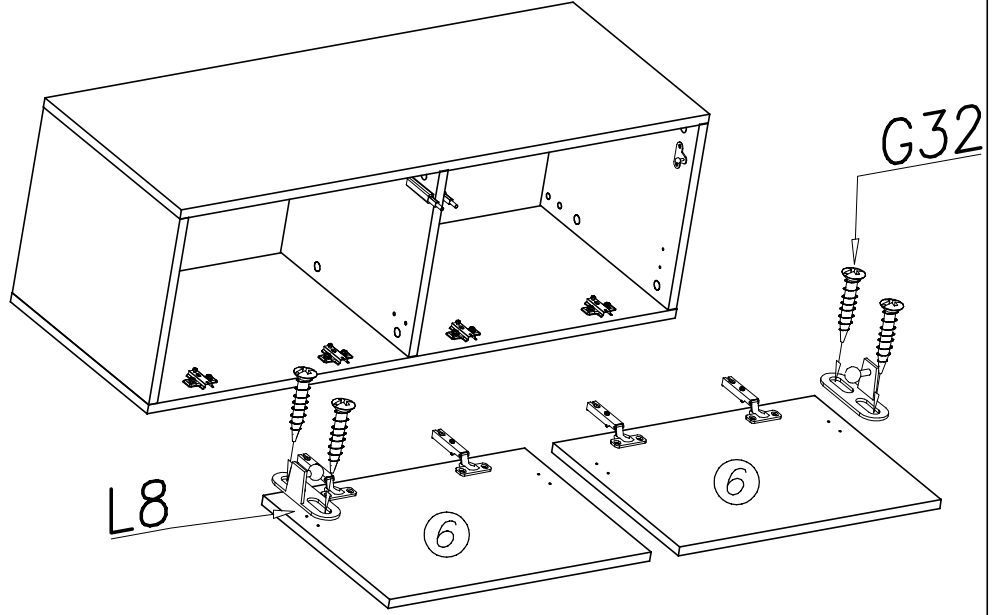
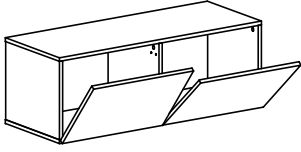


XI

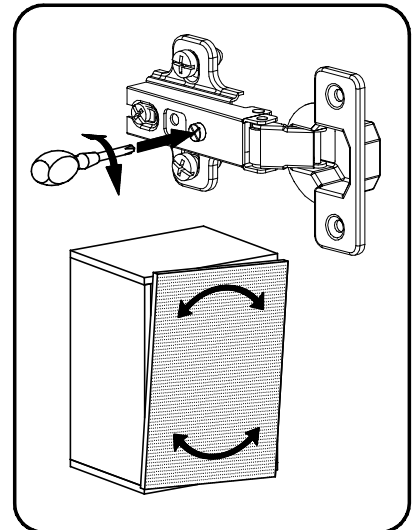
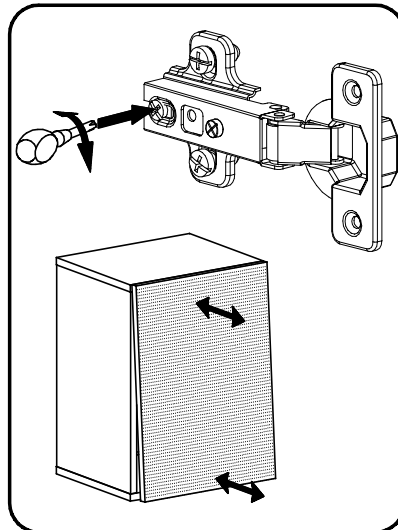
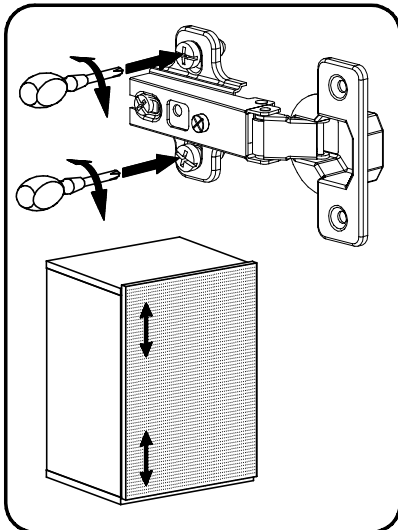
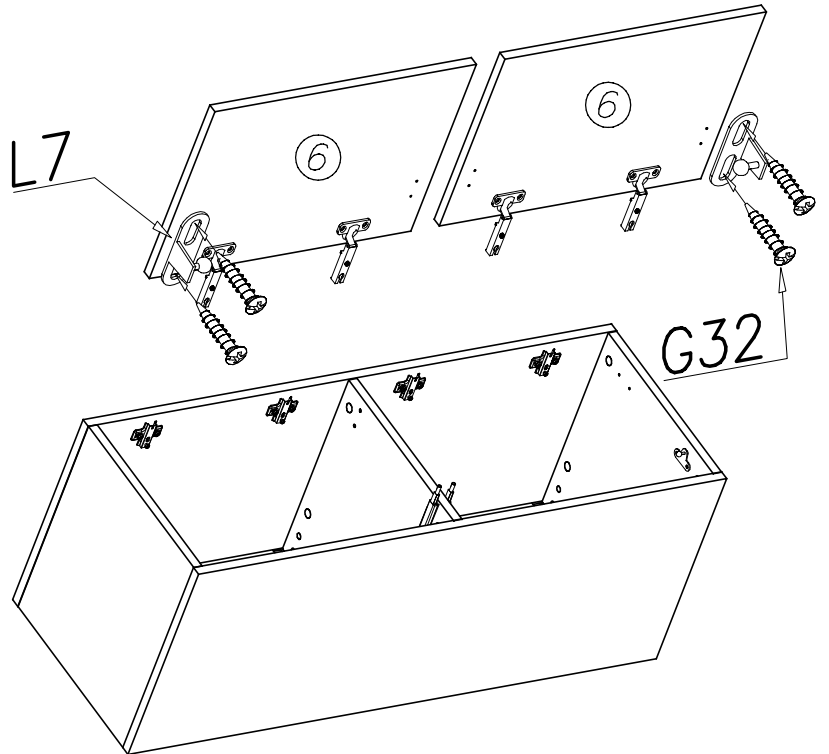
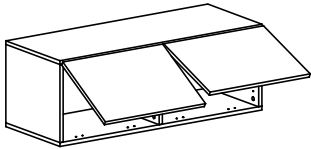


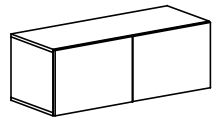


XII

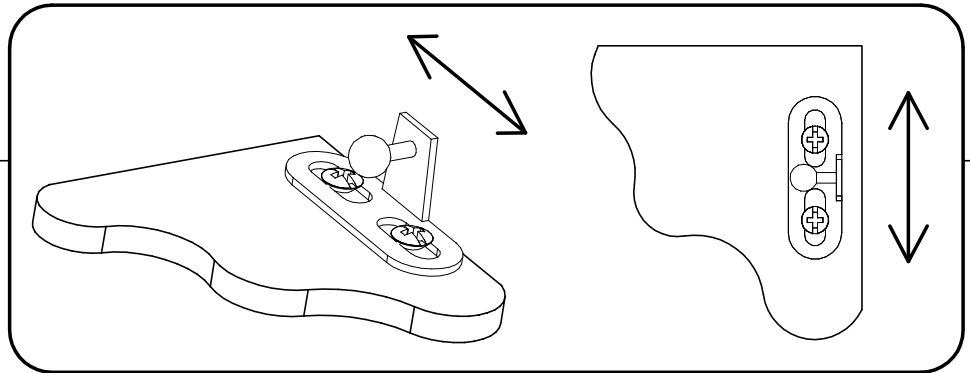
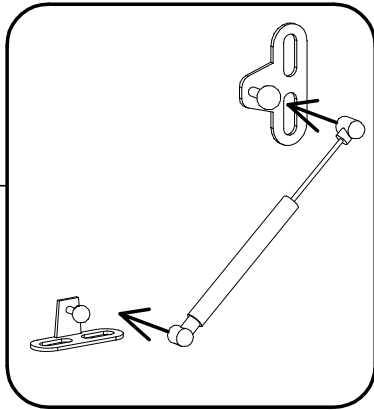
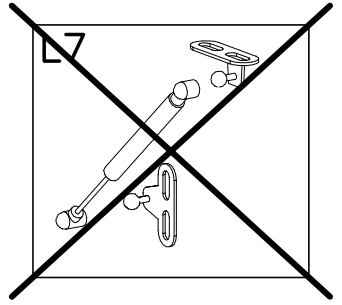
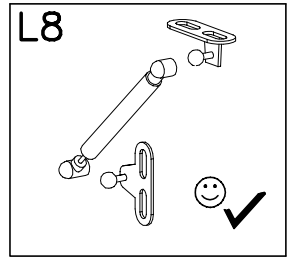
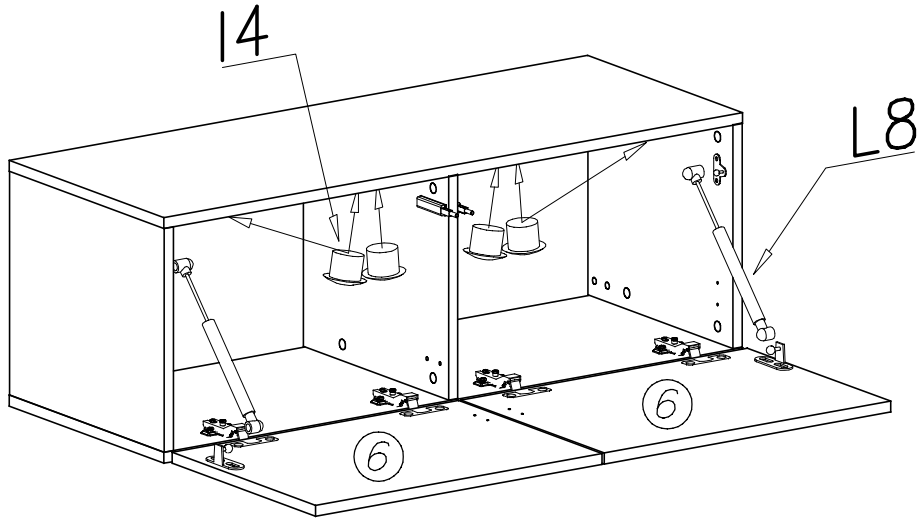
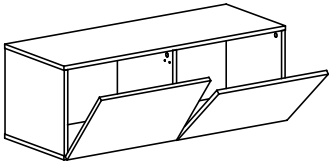


XII

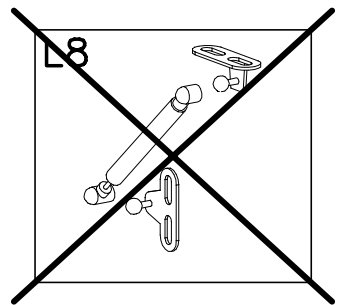
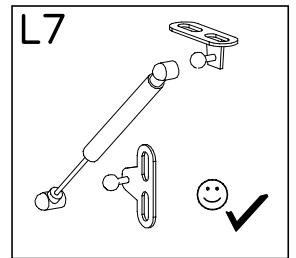
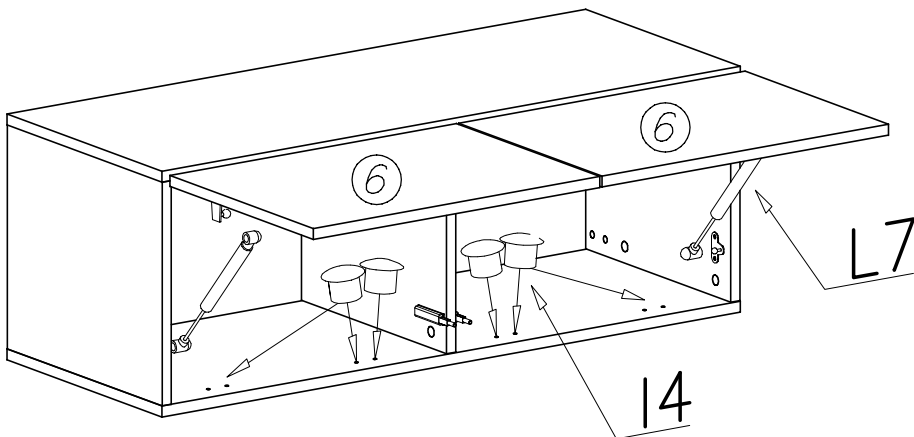
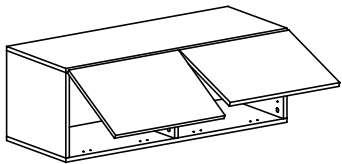


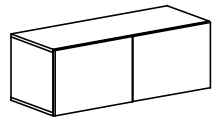


# XIII

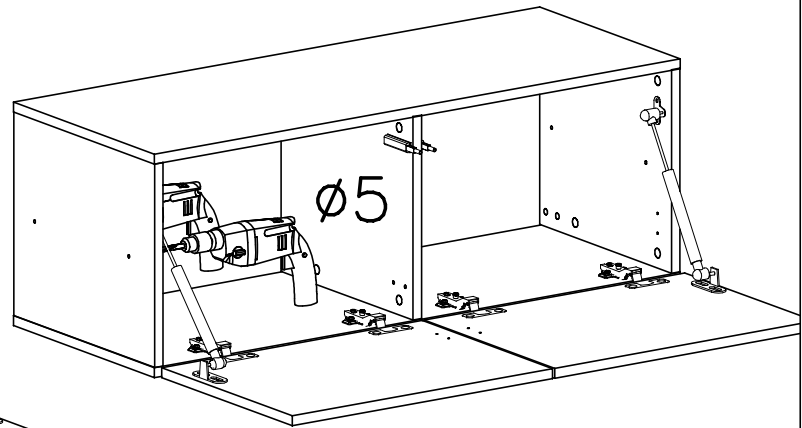
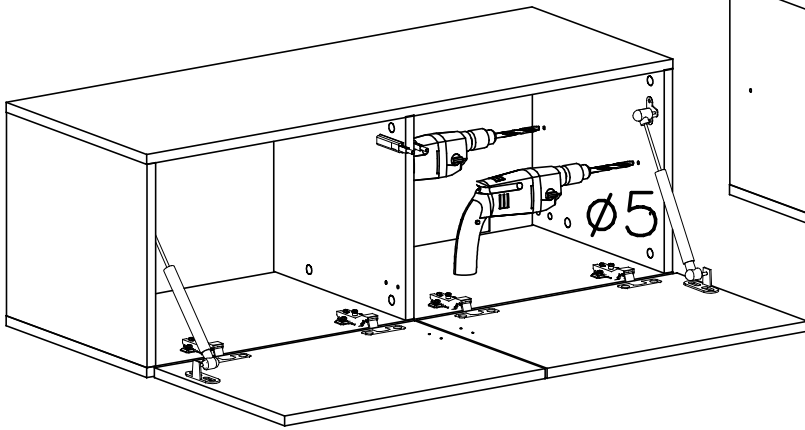
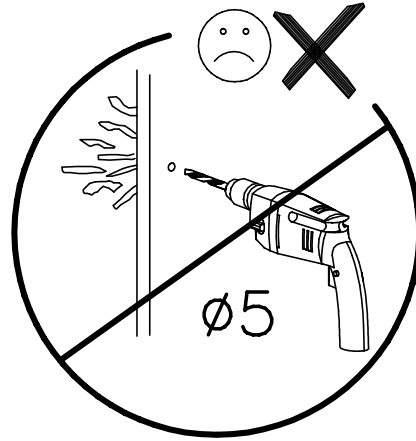
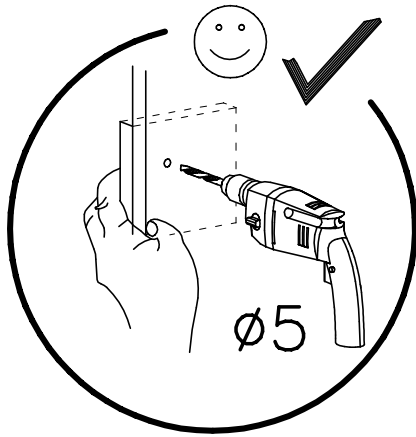


# XIII





# XIV



# XV

