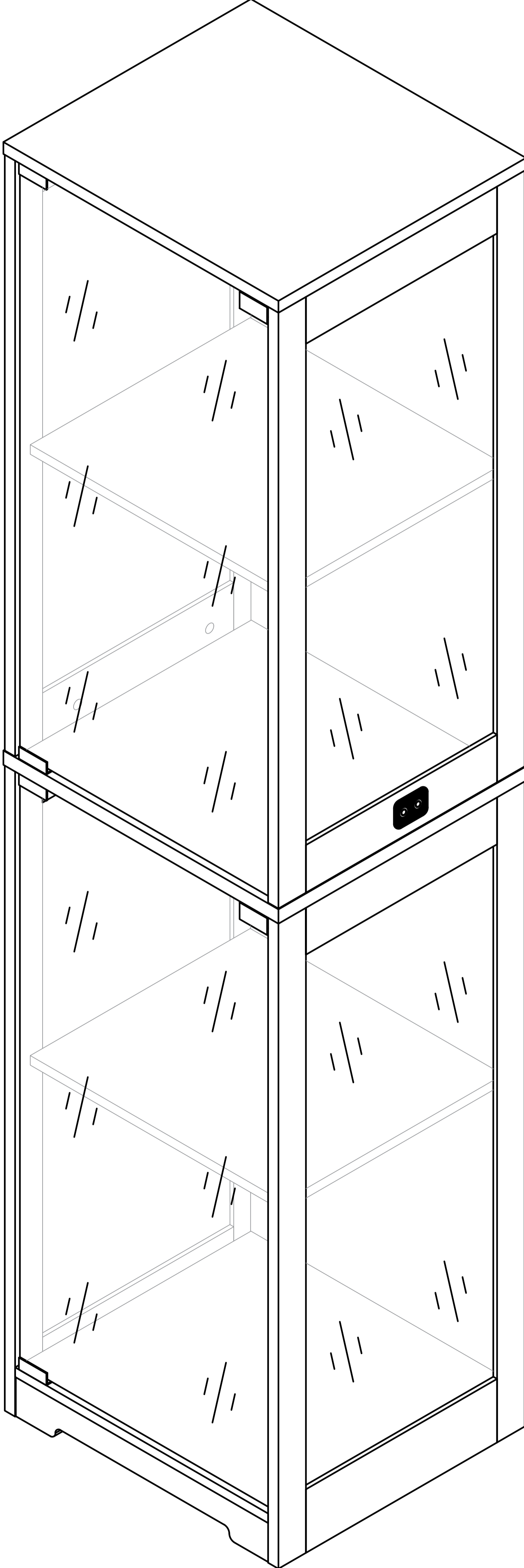
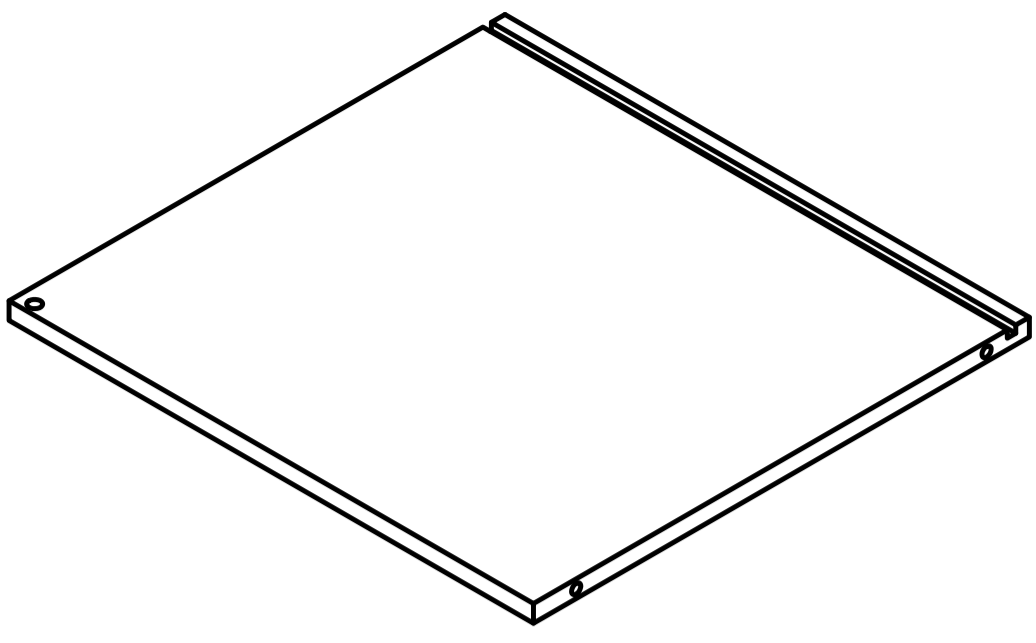
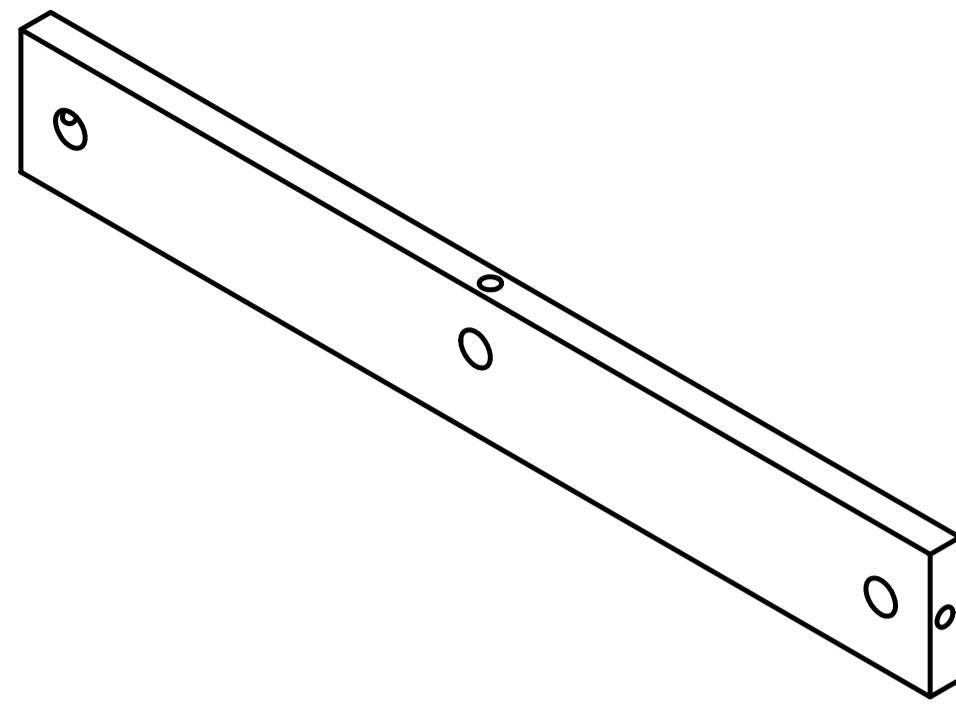


Product Installation Instructions

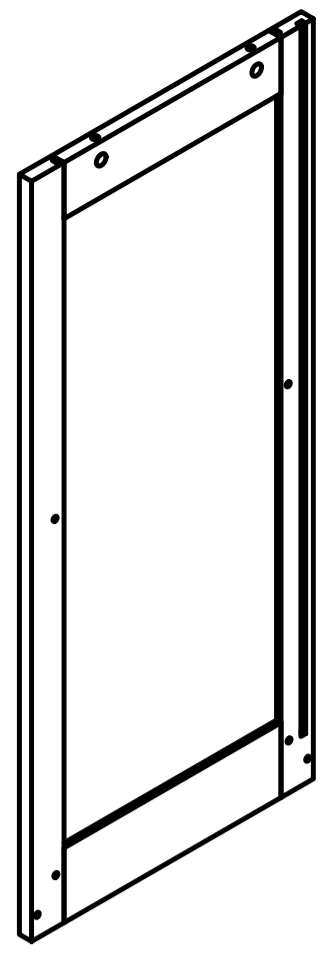




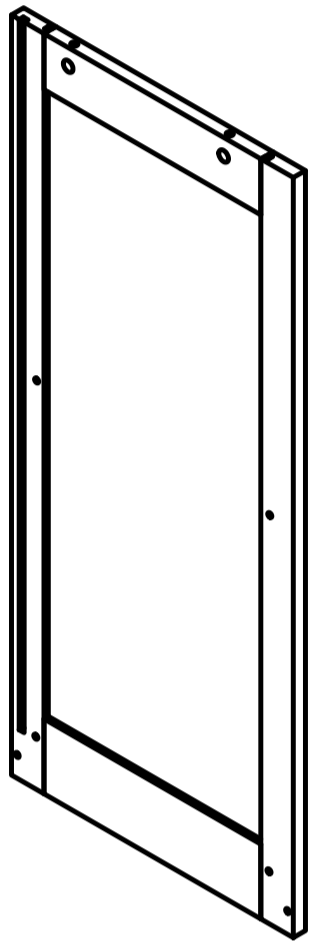
Ax1



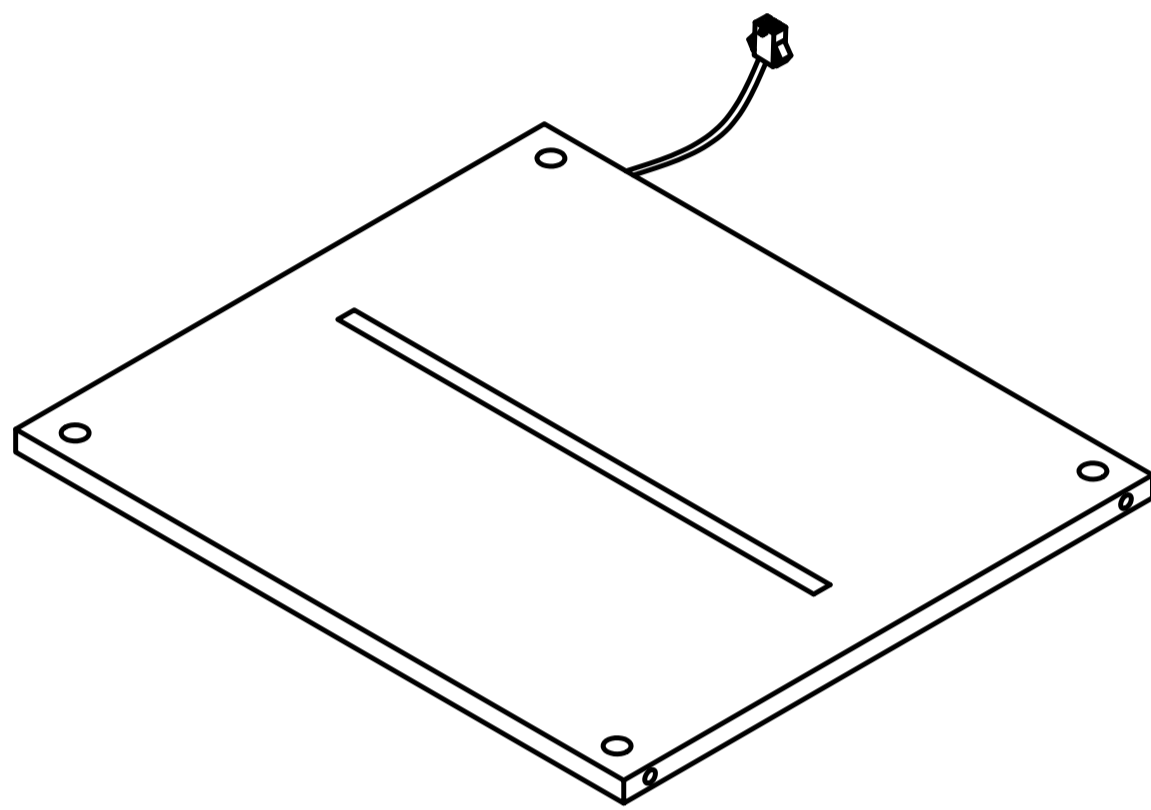
Bx1



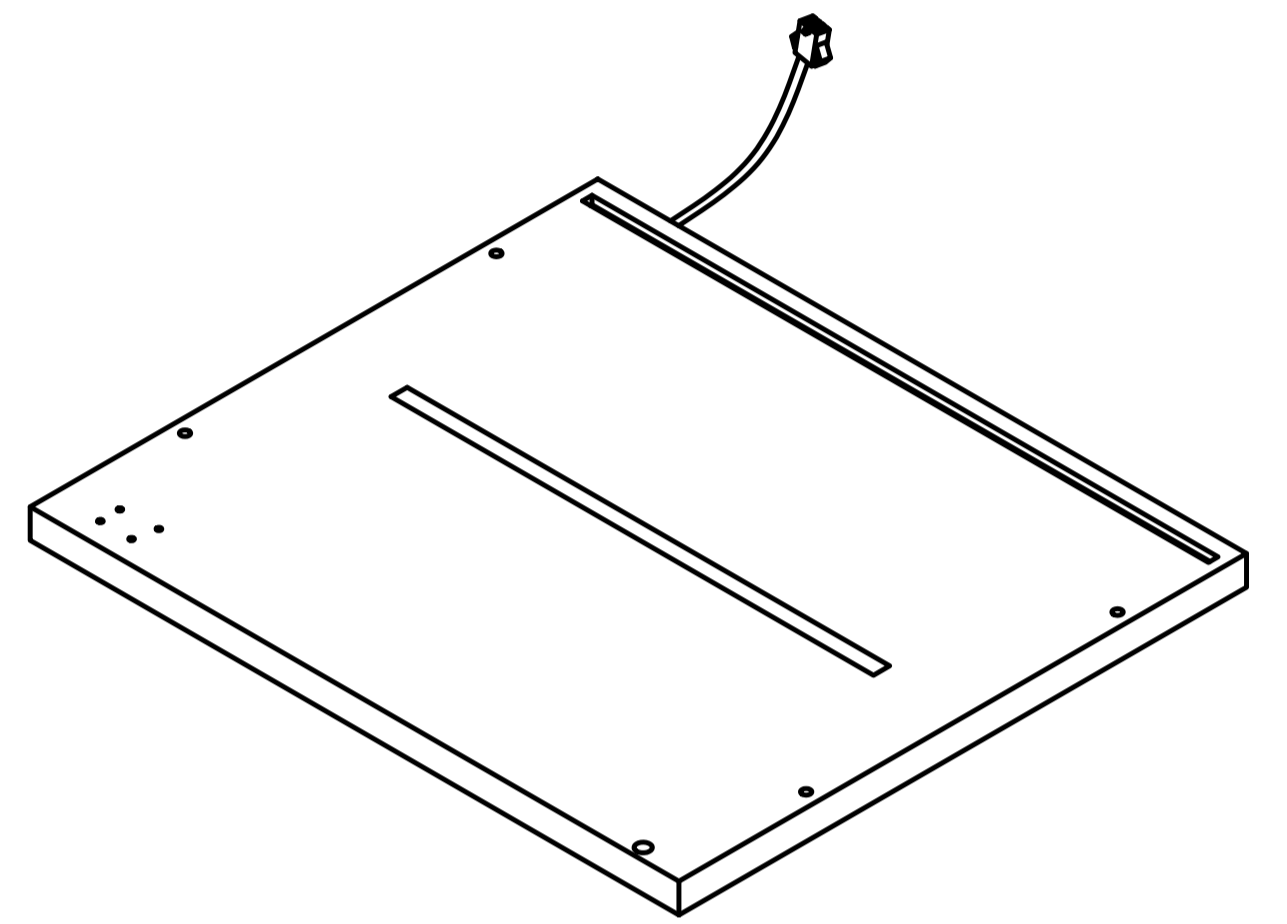
Cx1



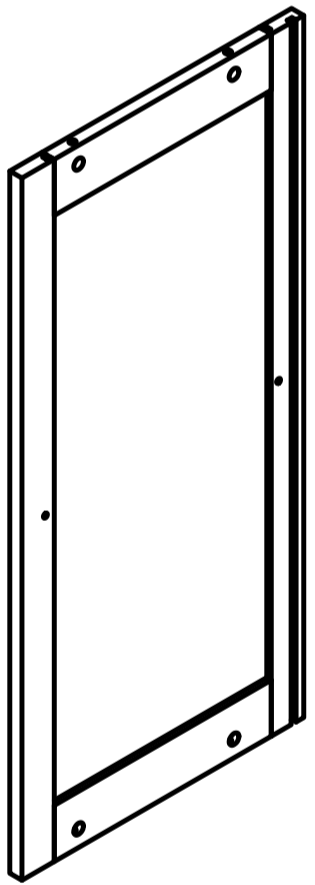
Dx1



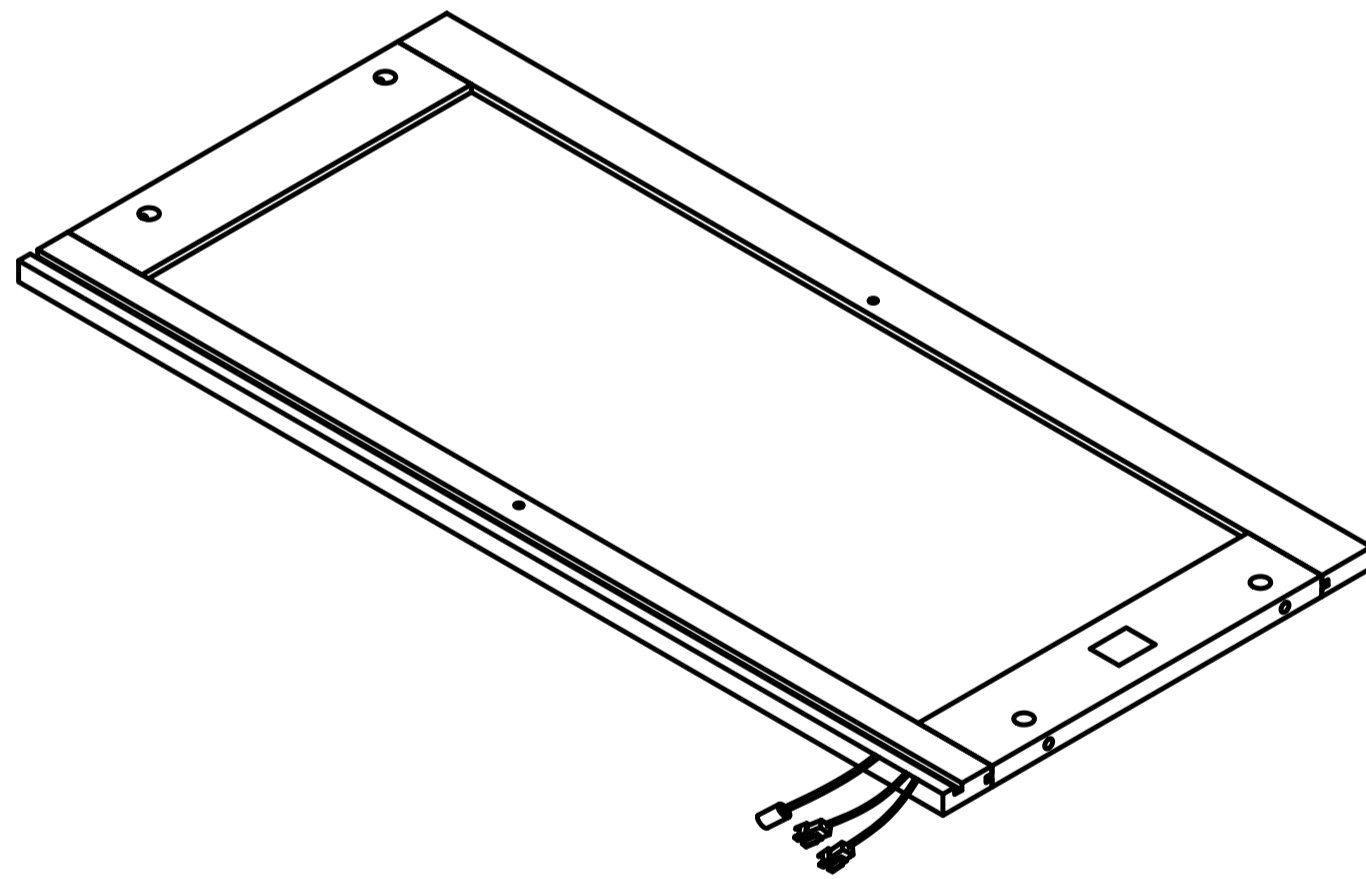
Ex2



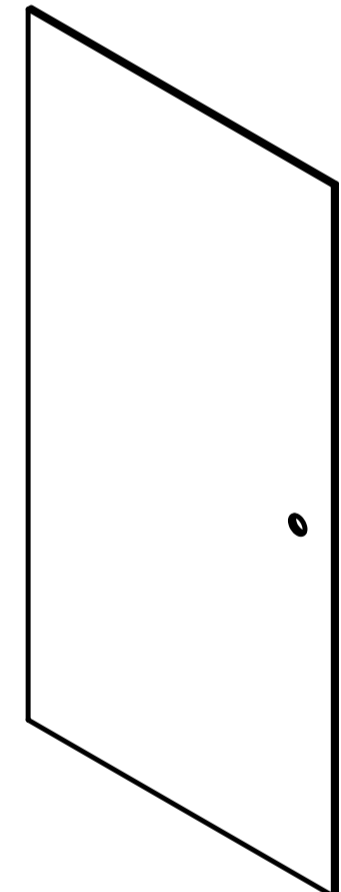
Fx1



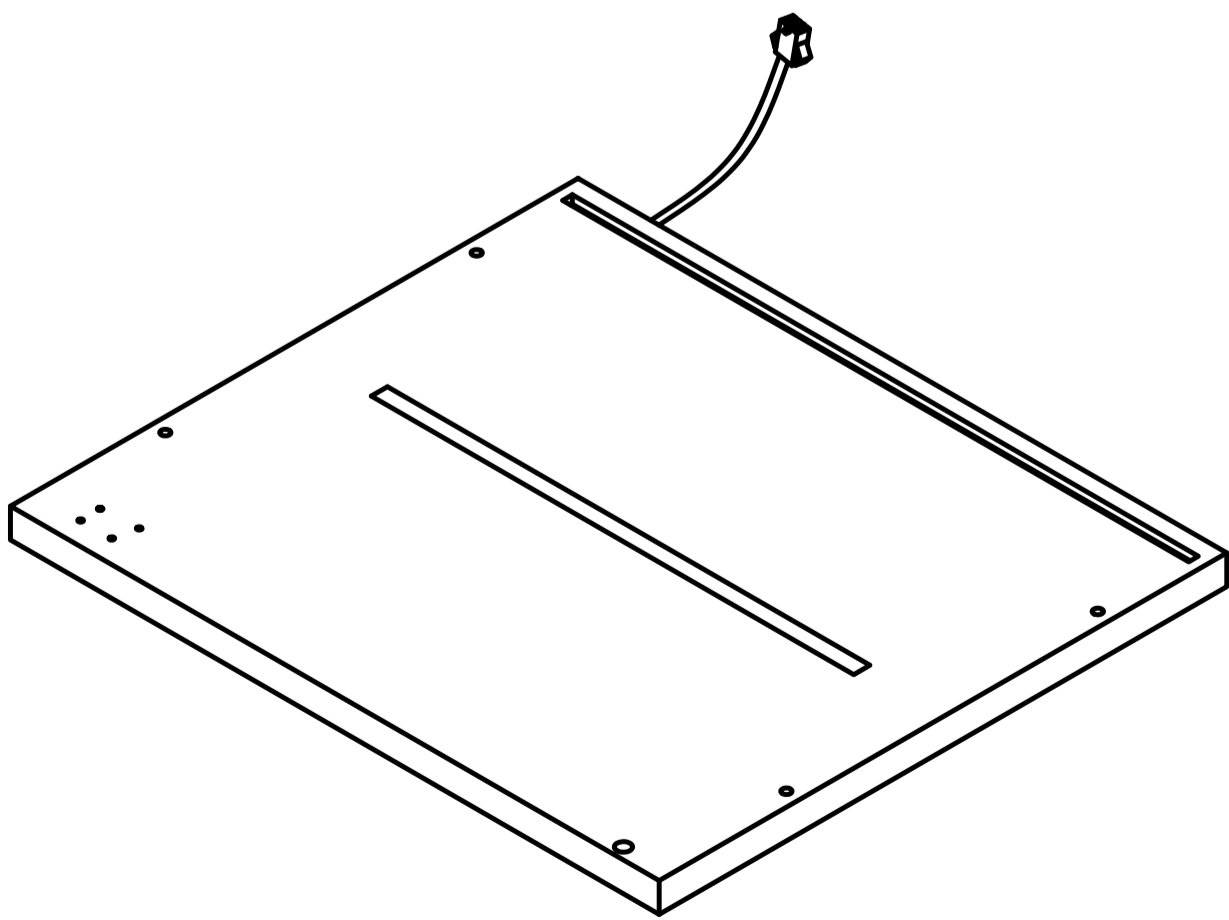
Gx1



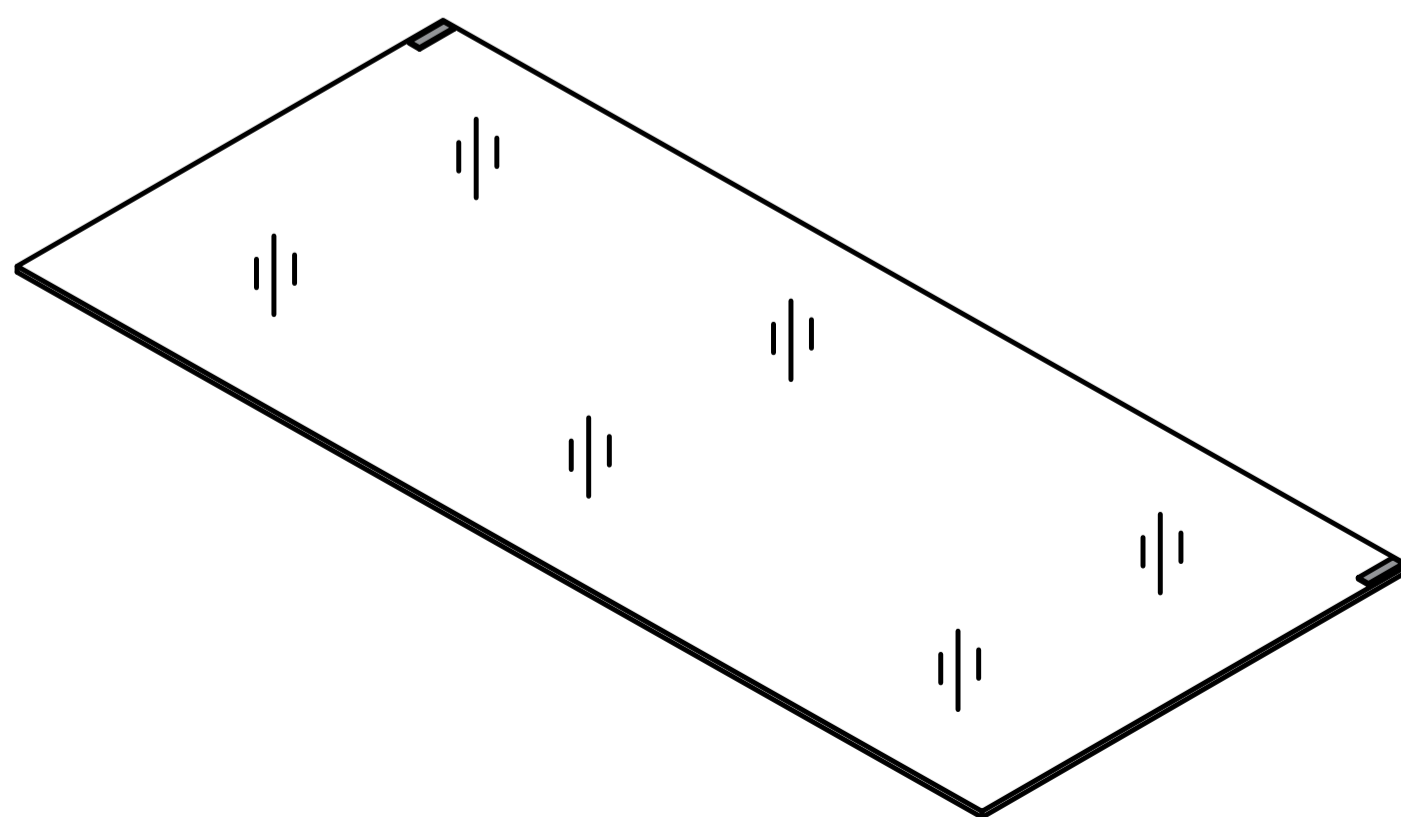
Hx1



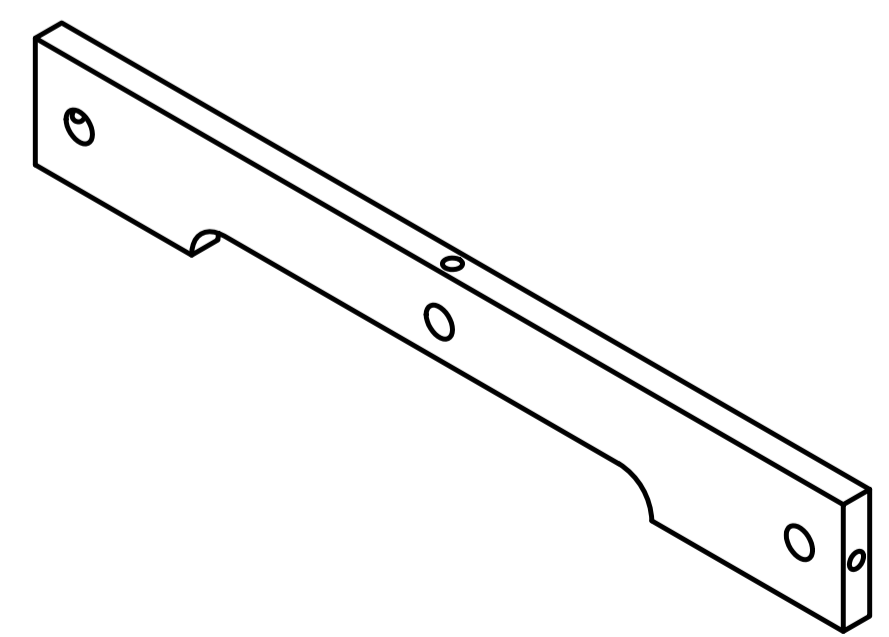
Ix2



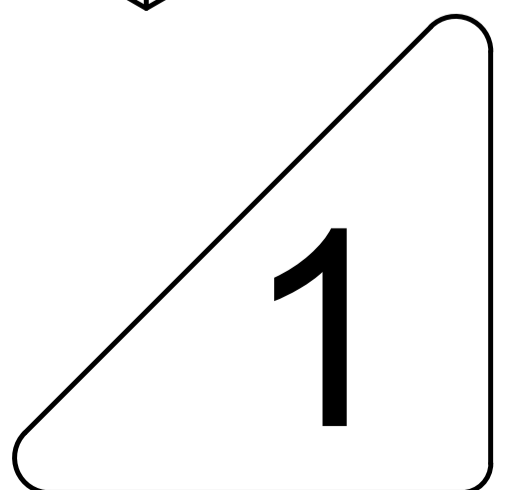
Jx1



Kx2

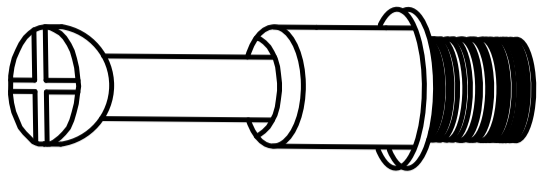
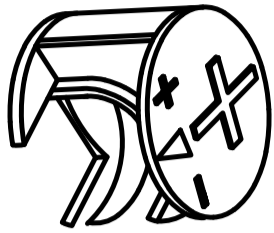

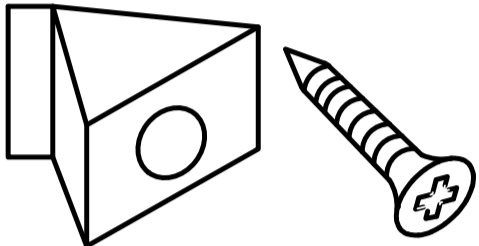
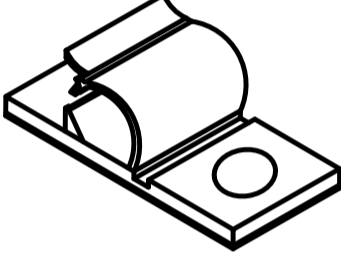
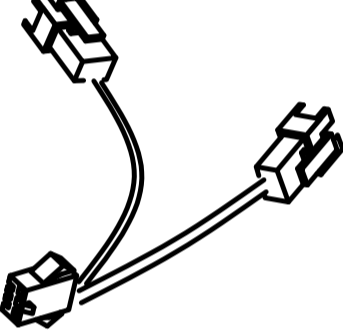
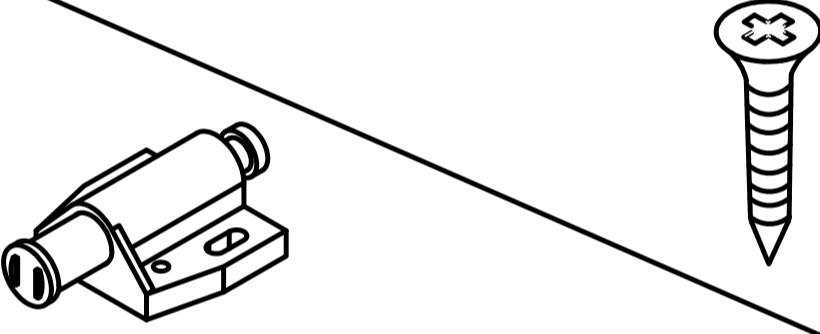
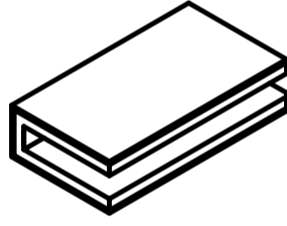
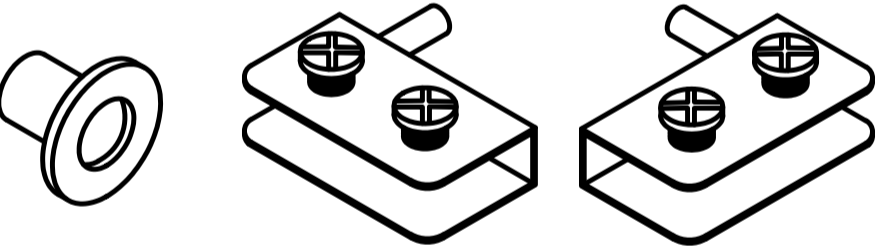

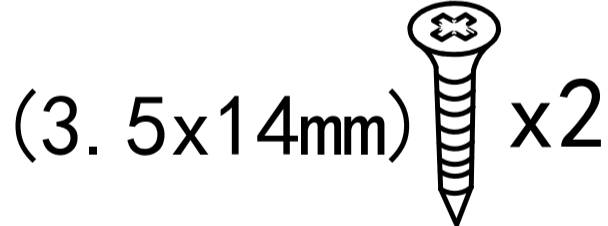
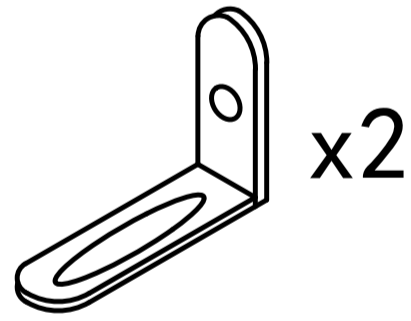
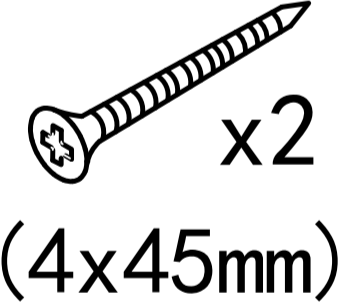

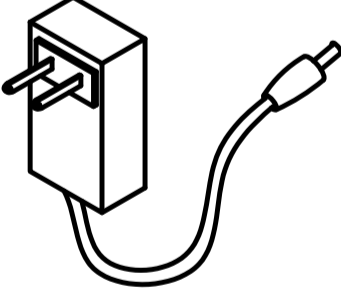


Lx1

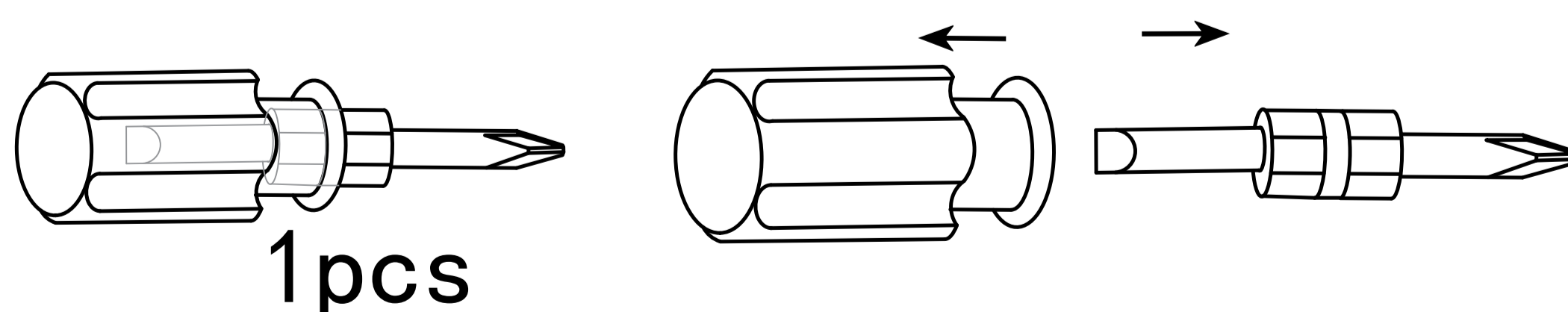


1

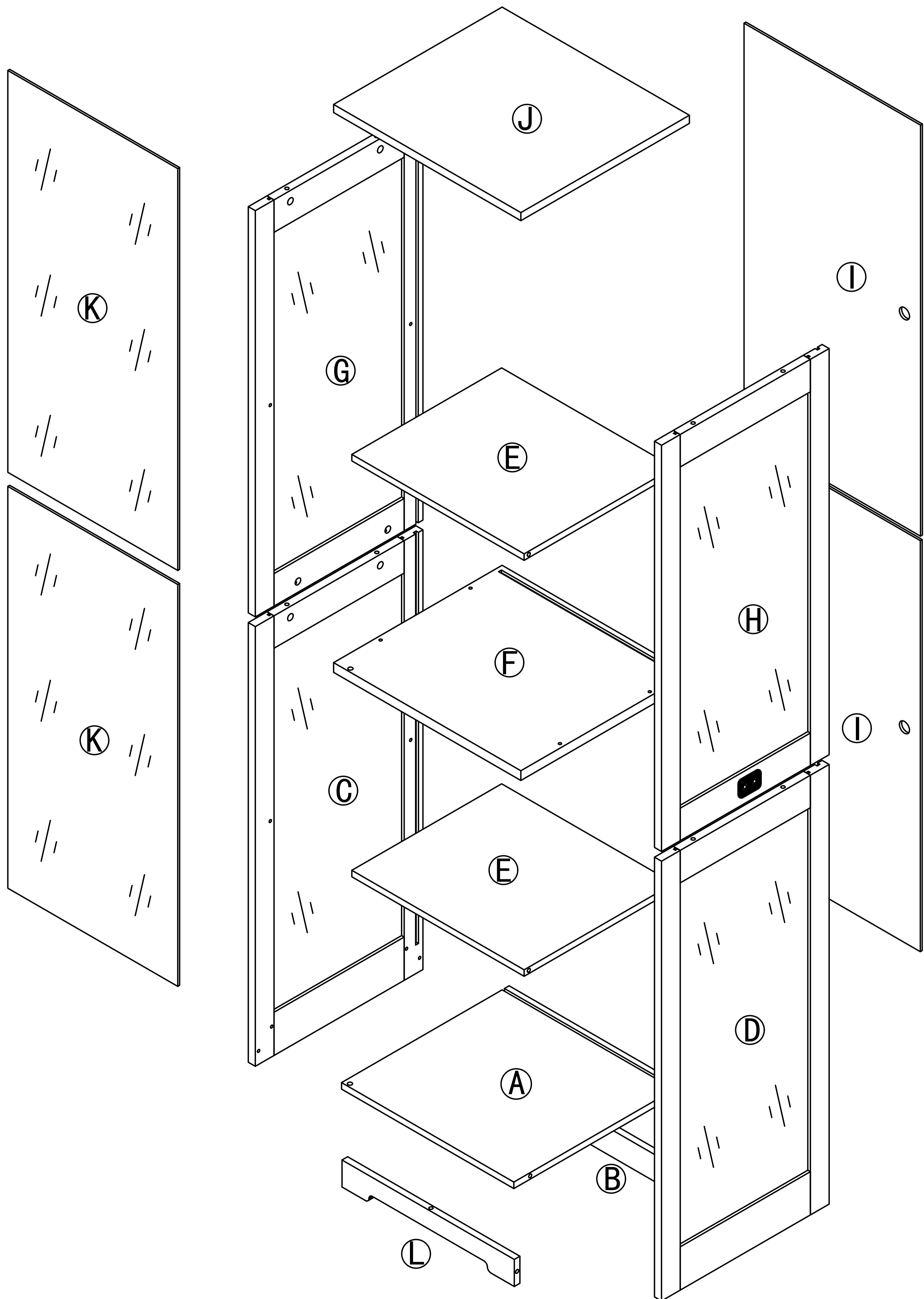
Accessories list

①		Two in one screw (6x28mm)			30pcs +3pcs	
②		Two in one nut (10x12mm)			30pcs +3pcs	
③		Non-slip pads			5pcs +1pcs	
④		Fixing clip & screw (3x16mm)			12pcs +1pcs	
⑤		Wire clamp			4pcs +1pcs	
⑥		Double end connecting line			2pcs	
⑦		Rebound device & Screw (3x16mm)			8pcs +1pcs 2pcs	
		Iron sheet			2pcs	
		Hinge			4pcs	
⑧	Anti Fall Hardware	 x2	 (3.5x14mm) x2	 x2	 x2 (4x45mm)	 x4
		AC/DC Adapter (12V=2.0A)			1pcs	

Double-head screwdriver, use as required

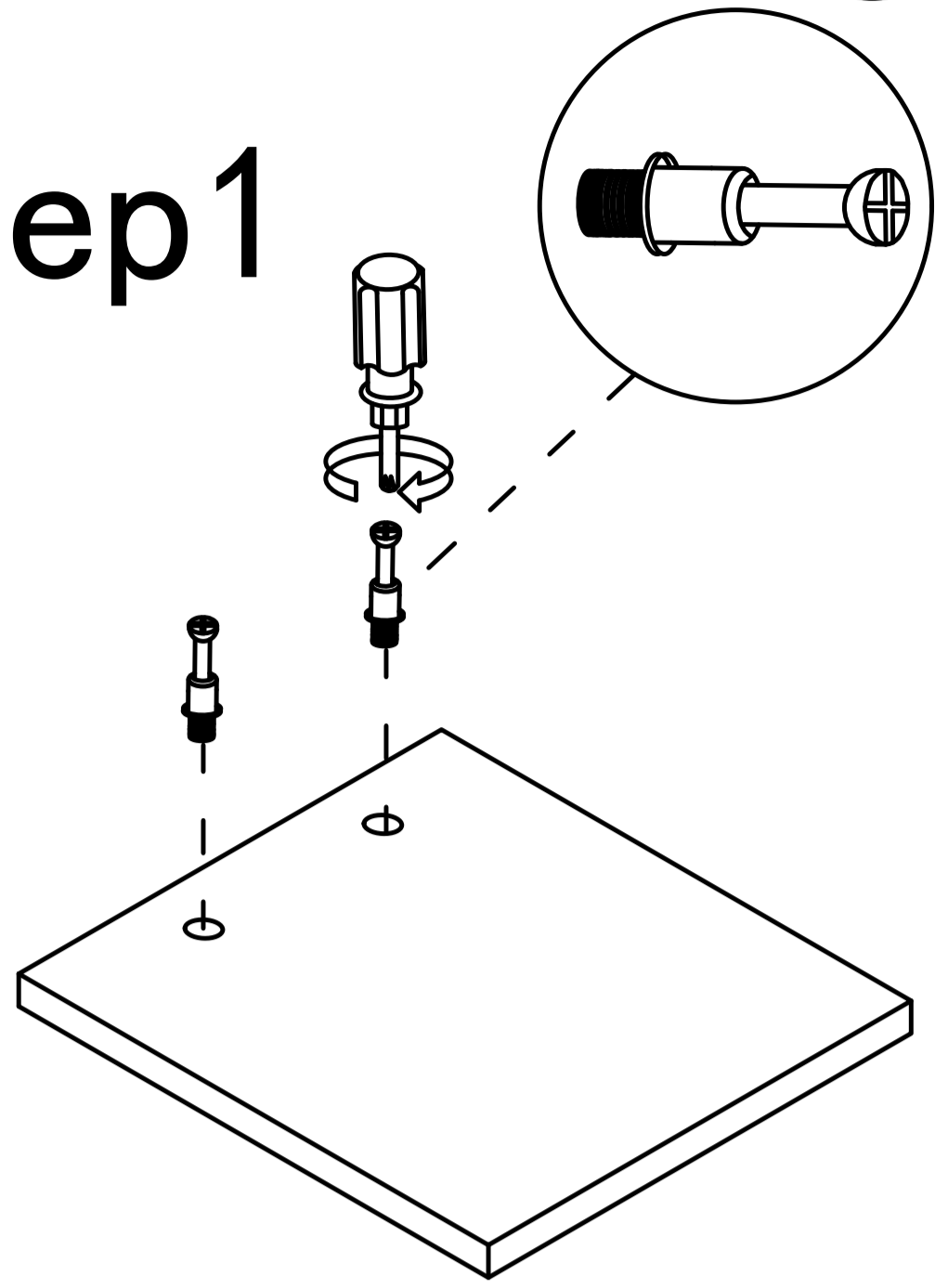


Product structure decomposition

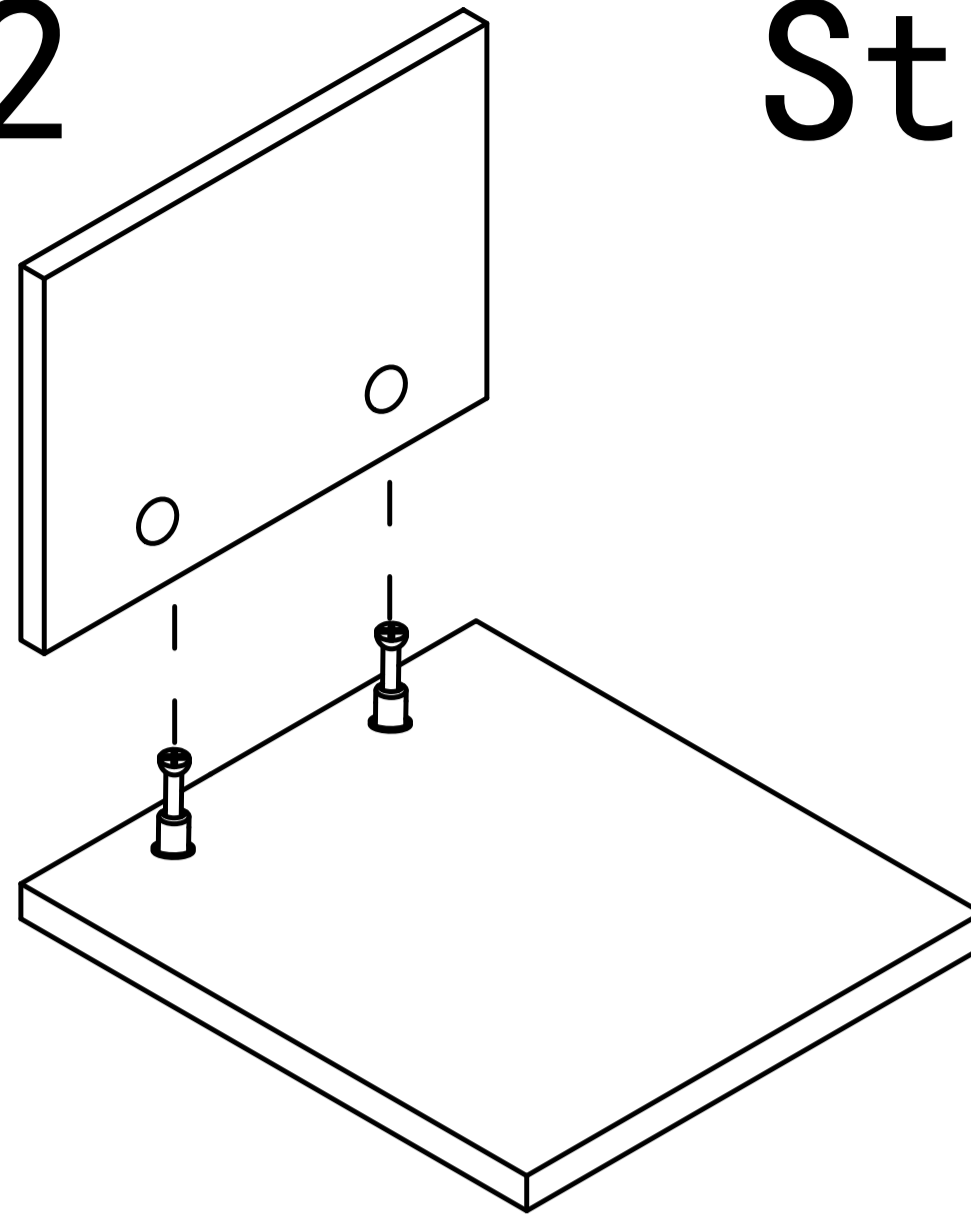


Use parts ① and ②

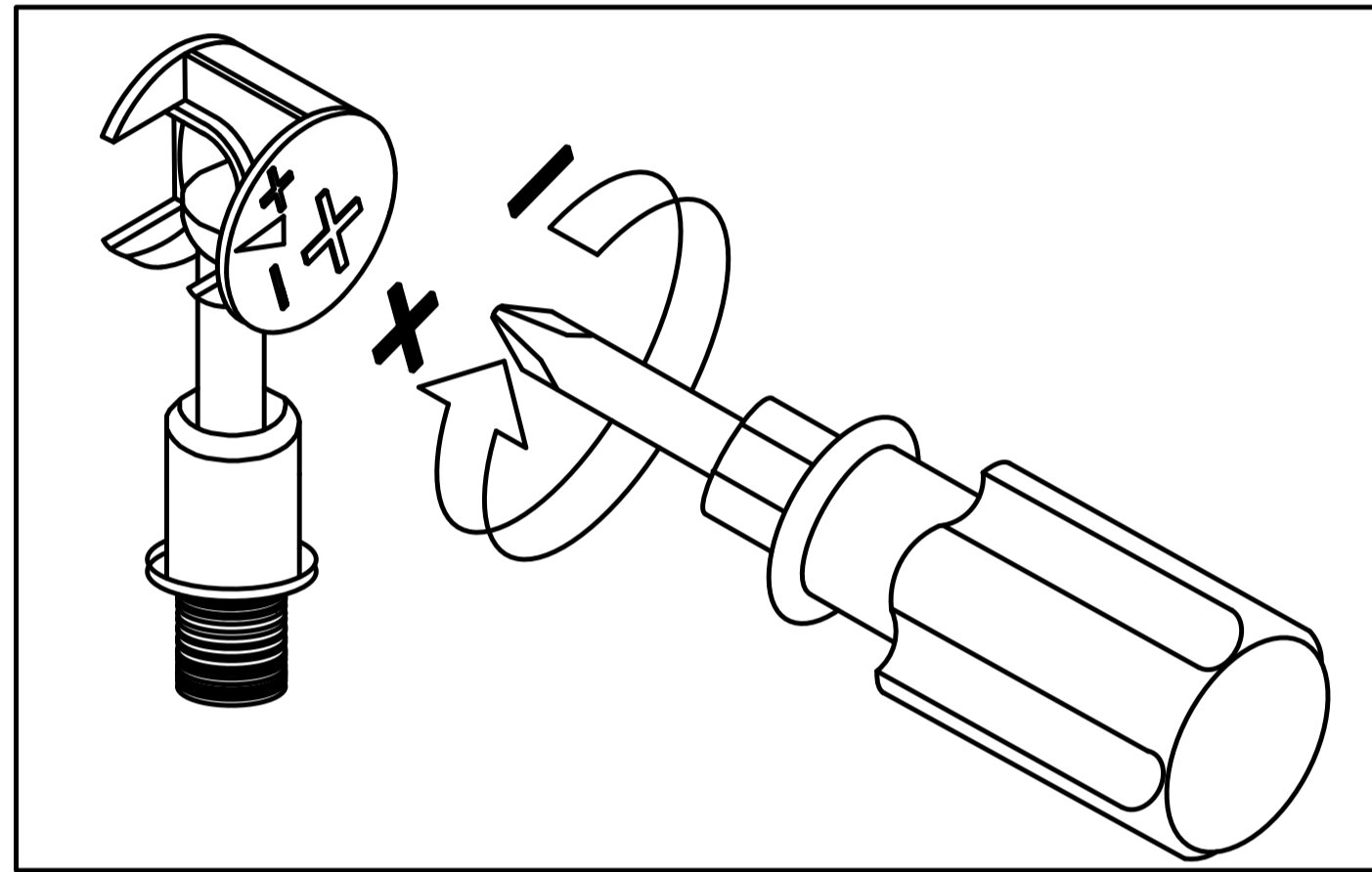
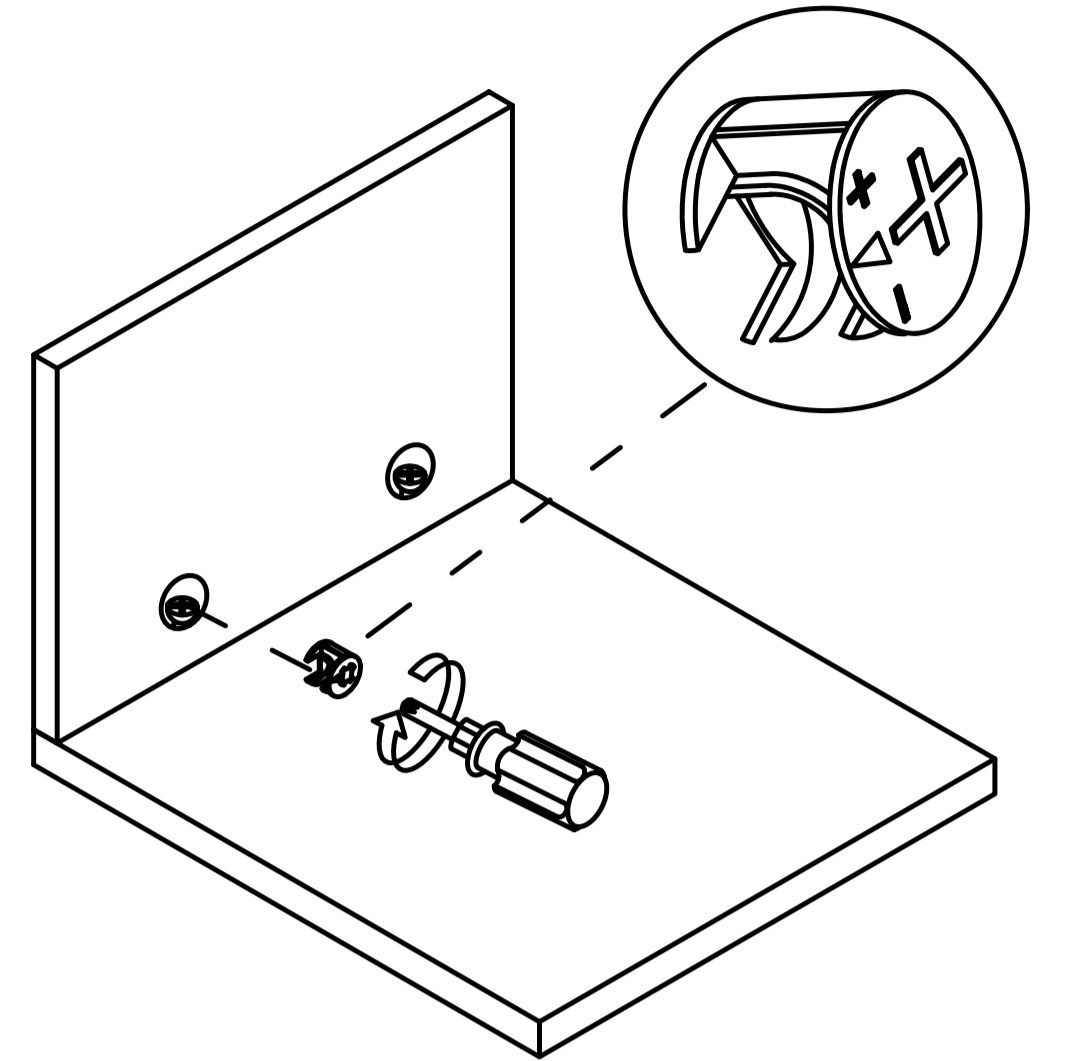
Step1



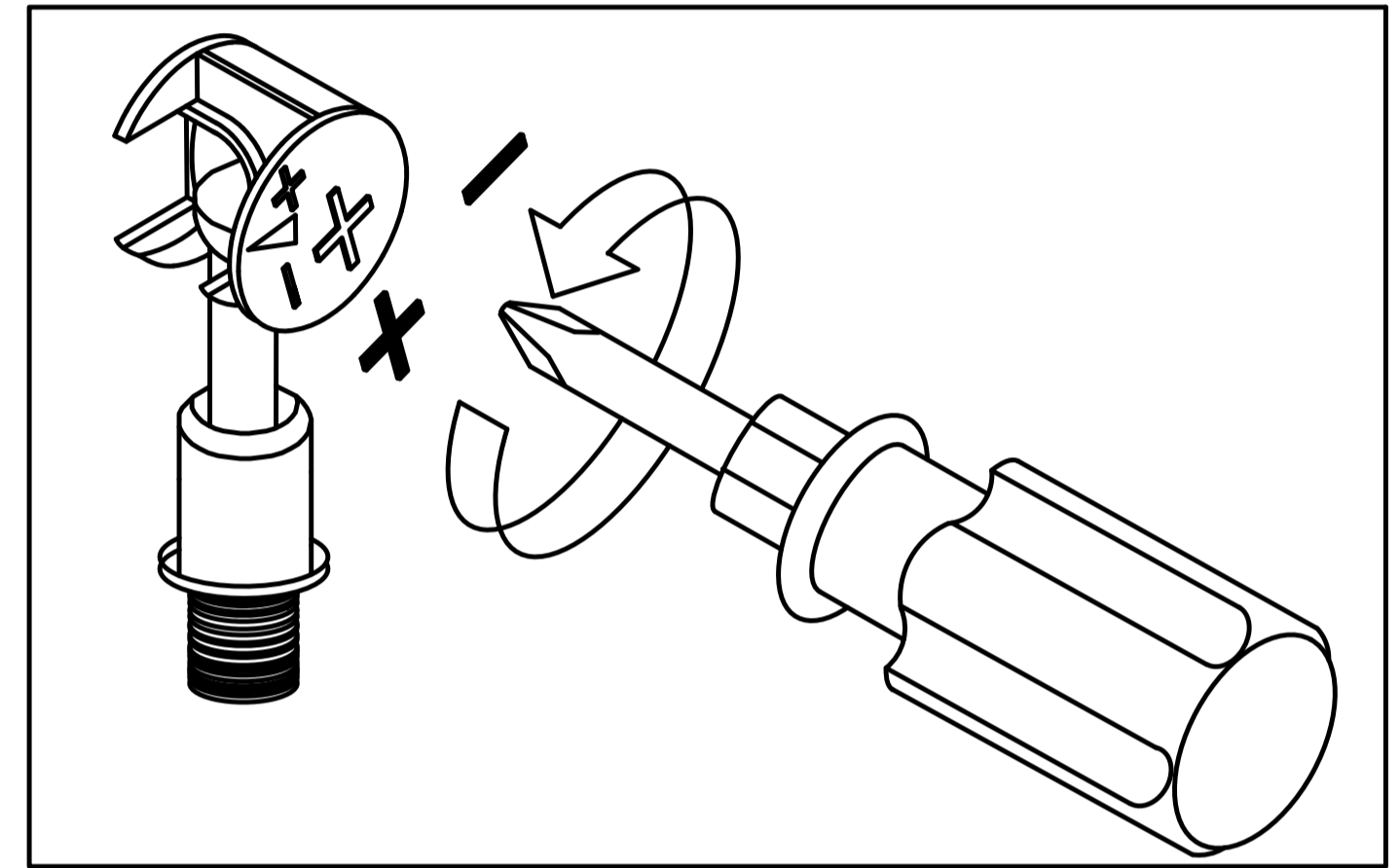
Step2



Step3

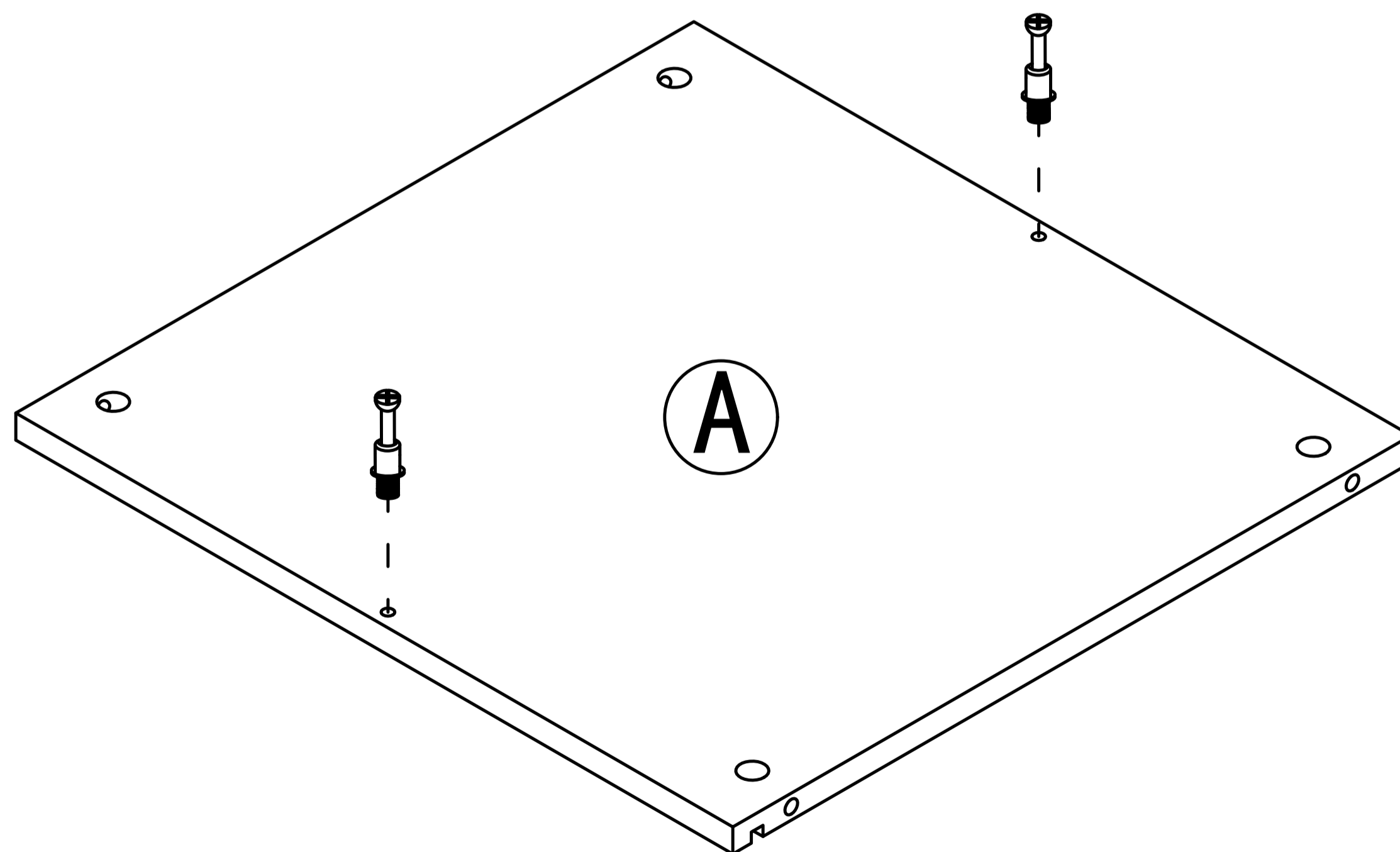
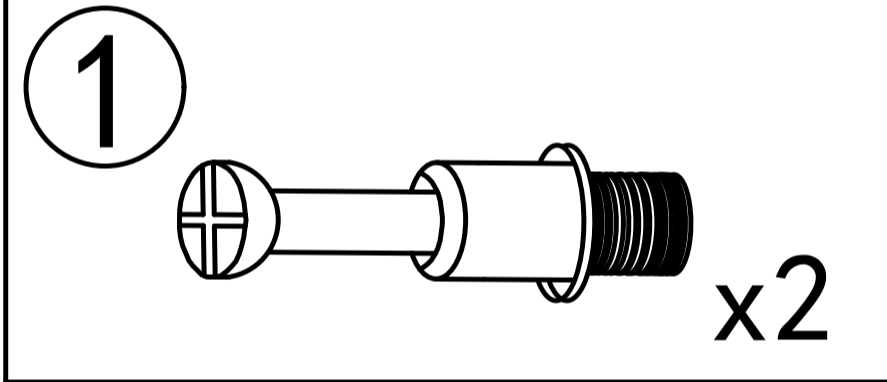


Use a screwdriver to lock in the direction of the "+" sign

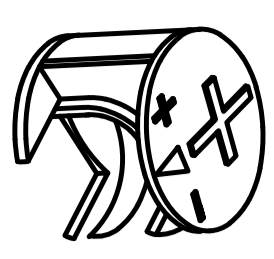


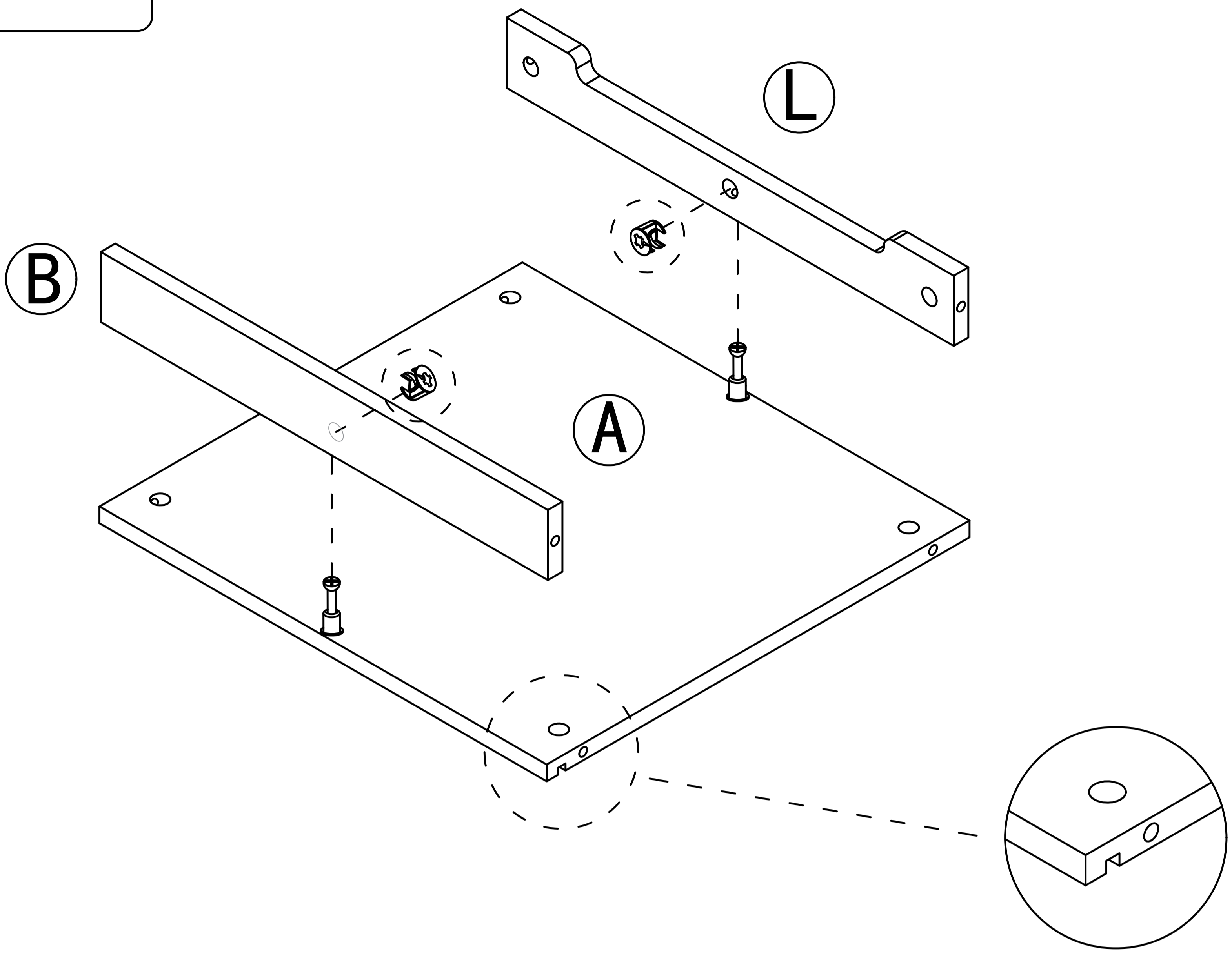
Disassemble along the direction of "-" sign

Step 1

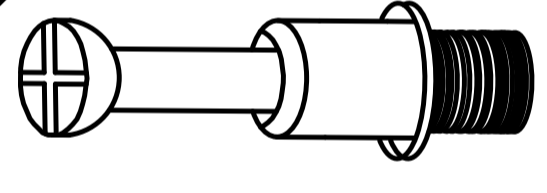


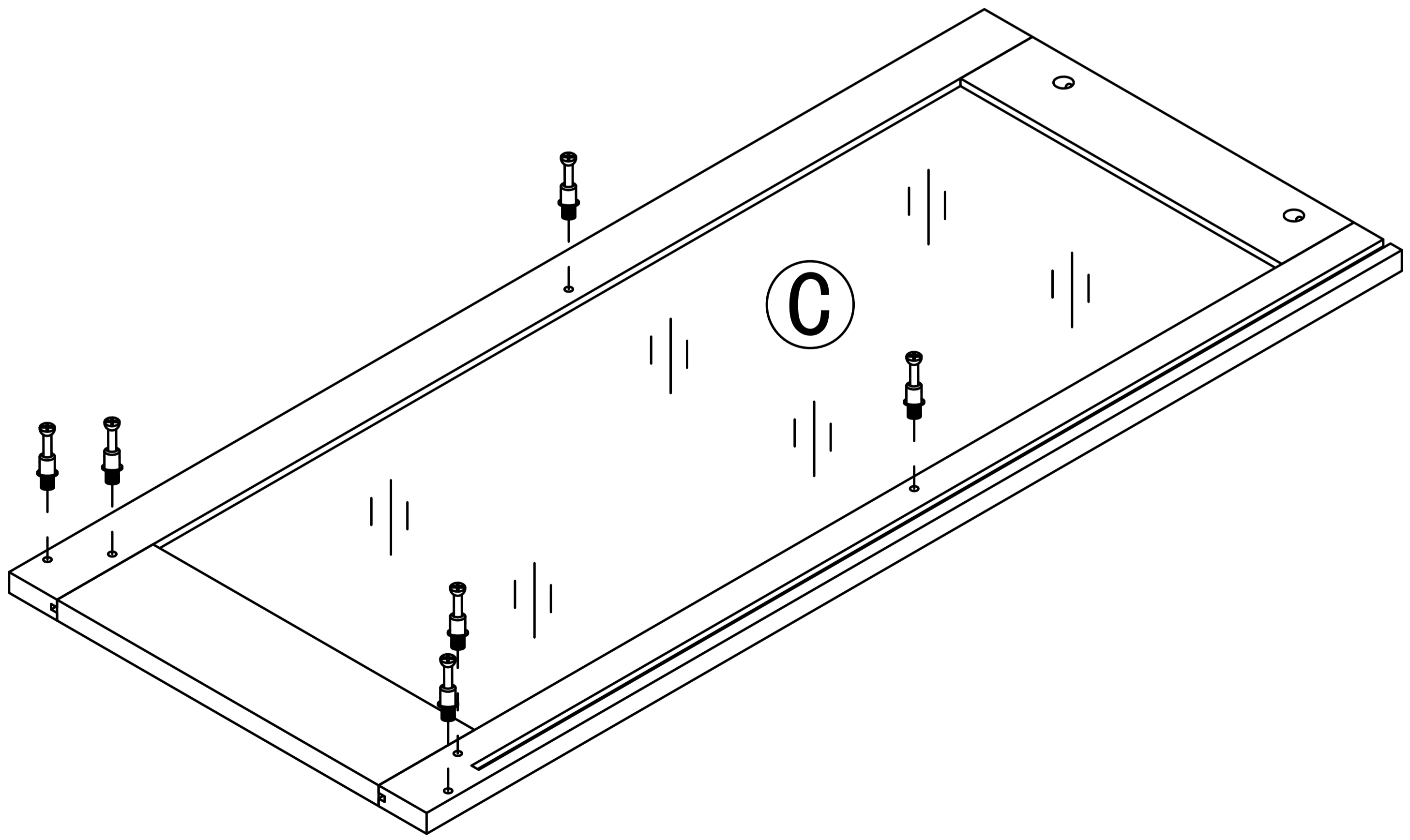
Step 2

2  x2



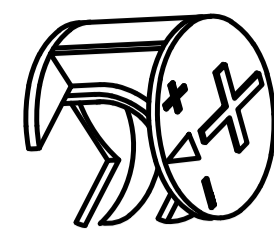
Step 3

1  x6

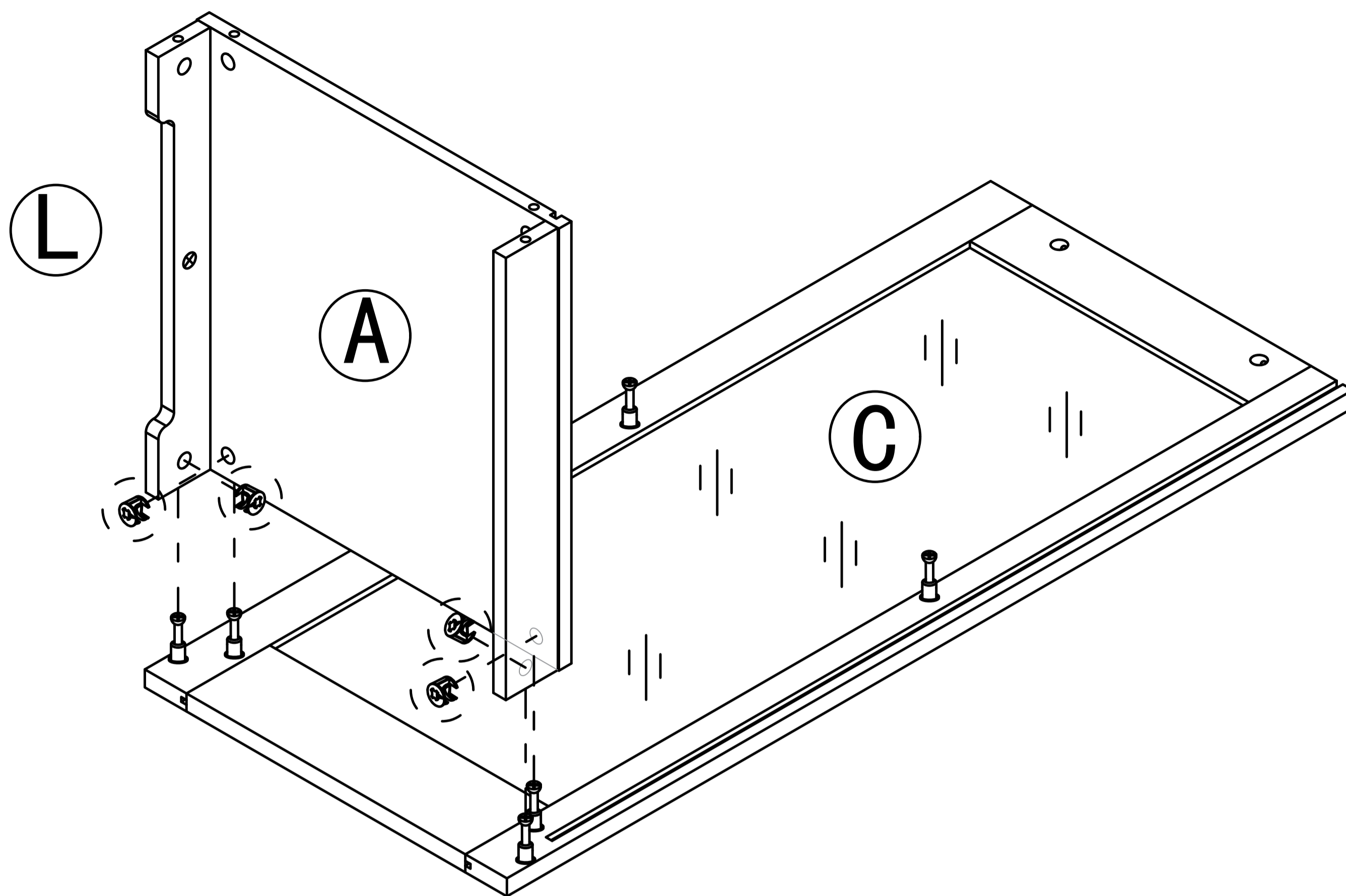


Step 4

2

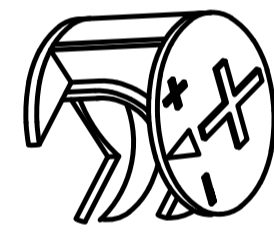


x4

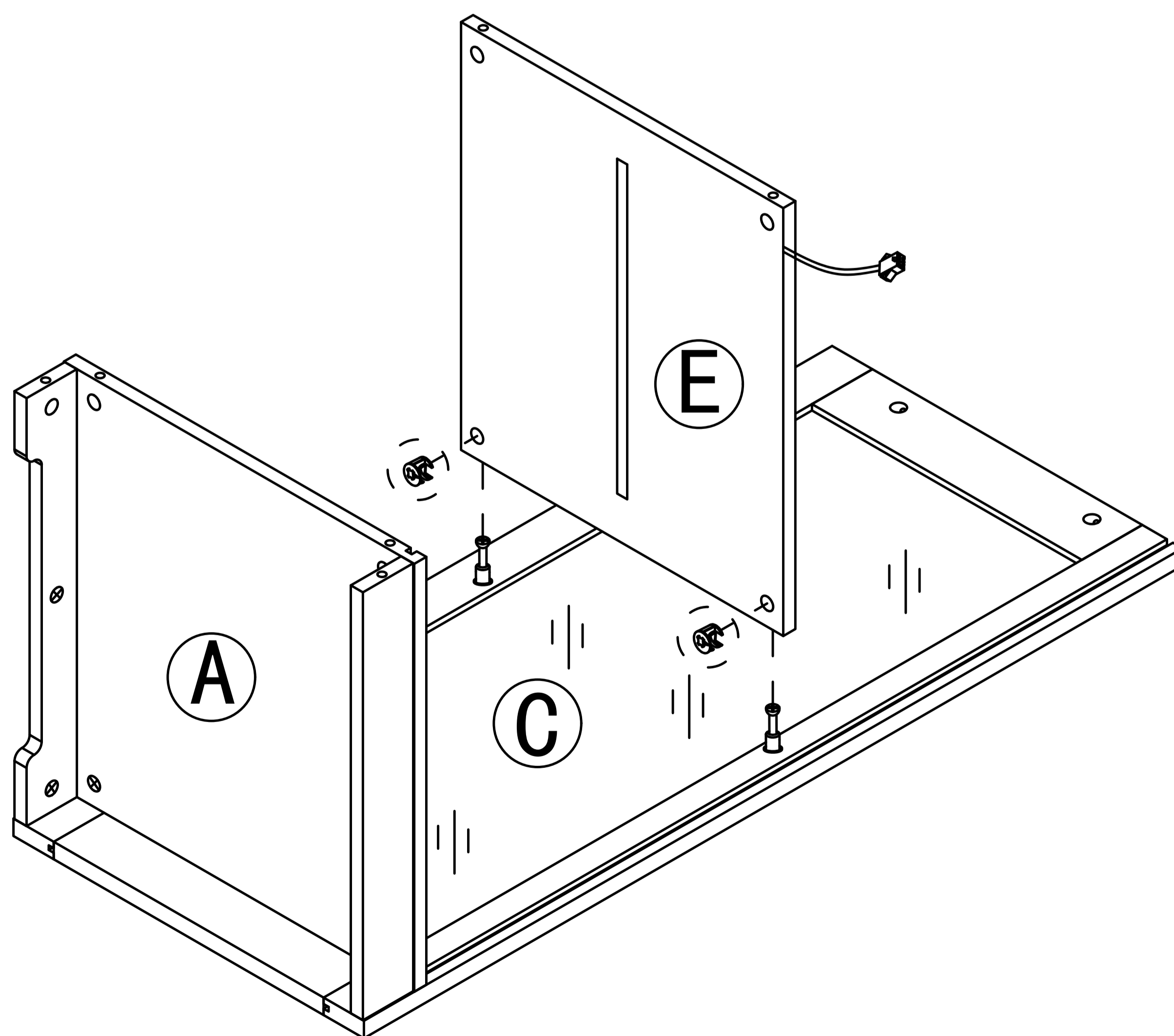


Step 5

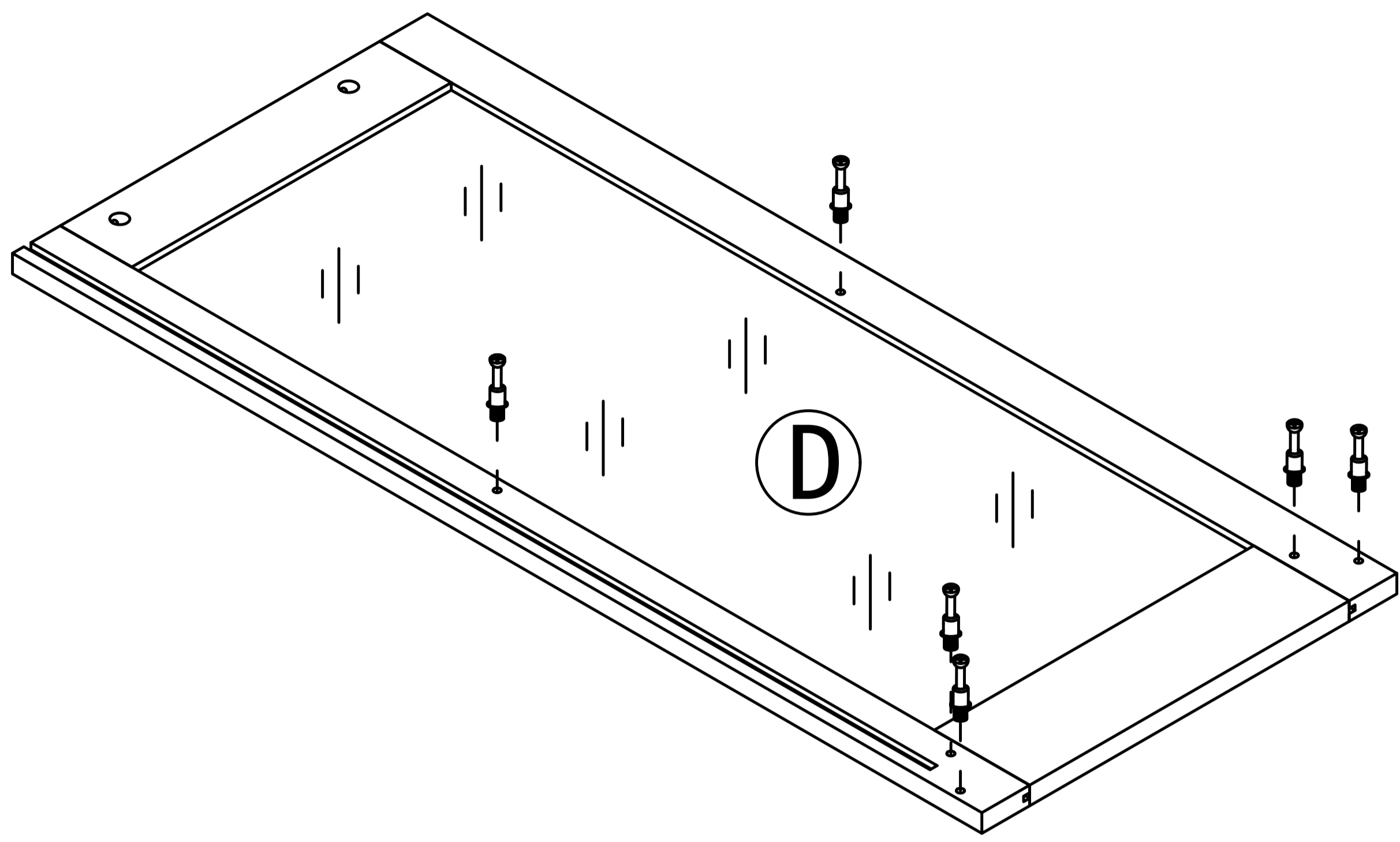
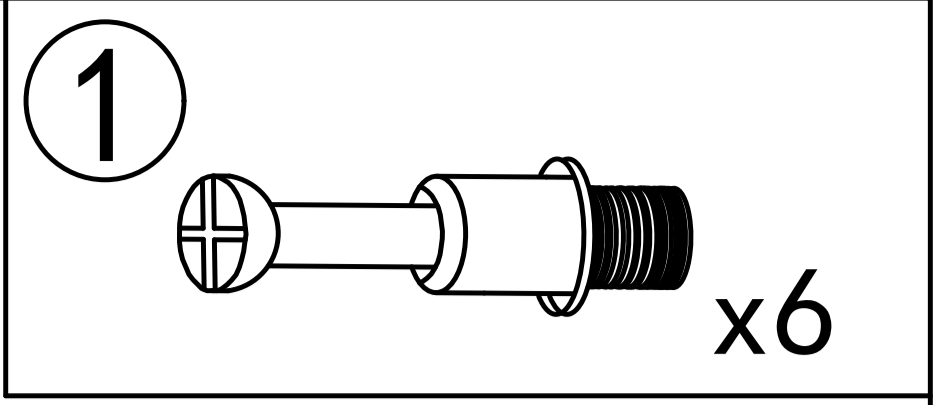
2



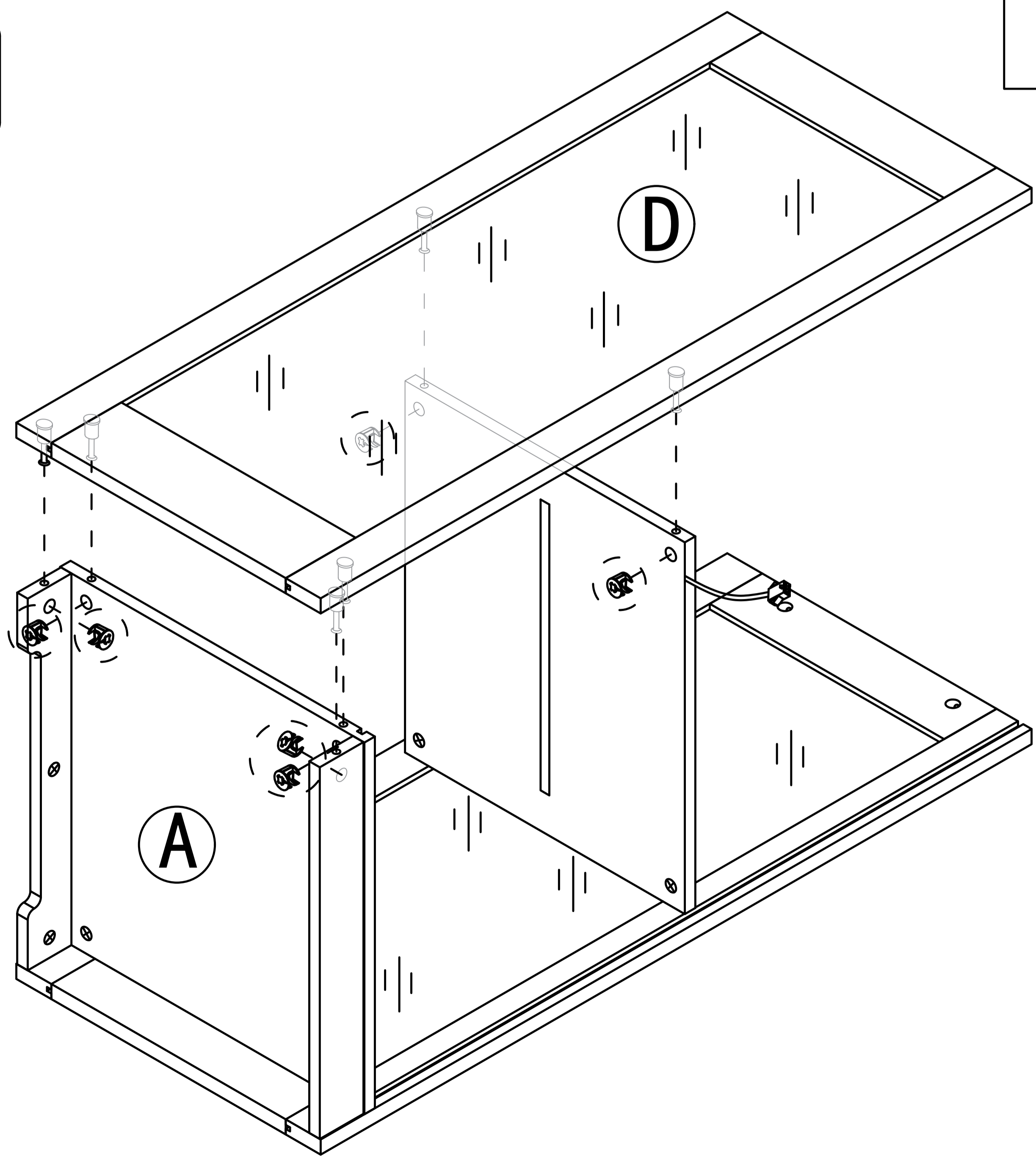
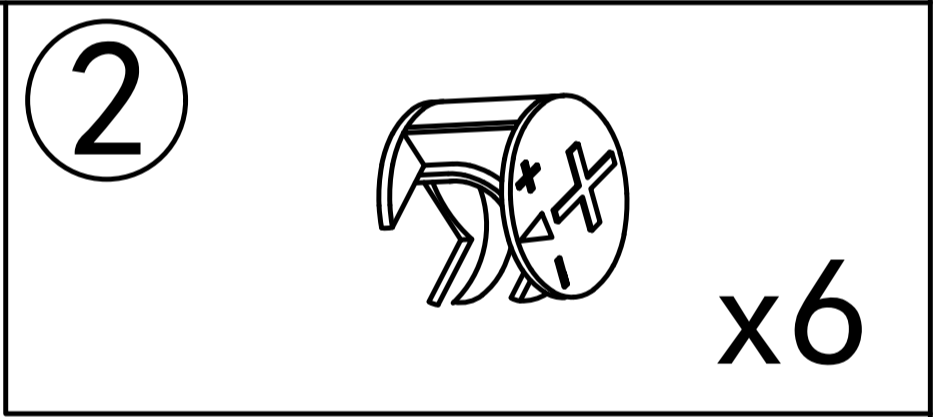
x2



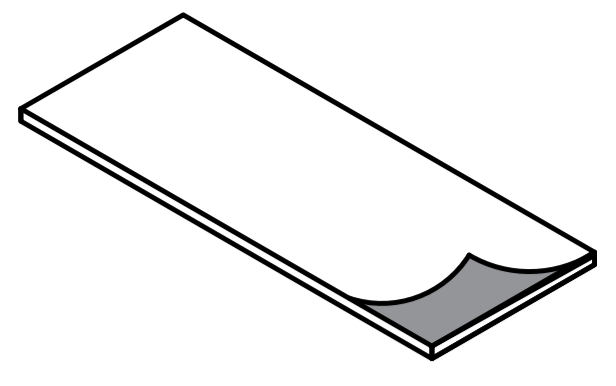
Step 6

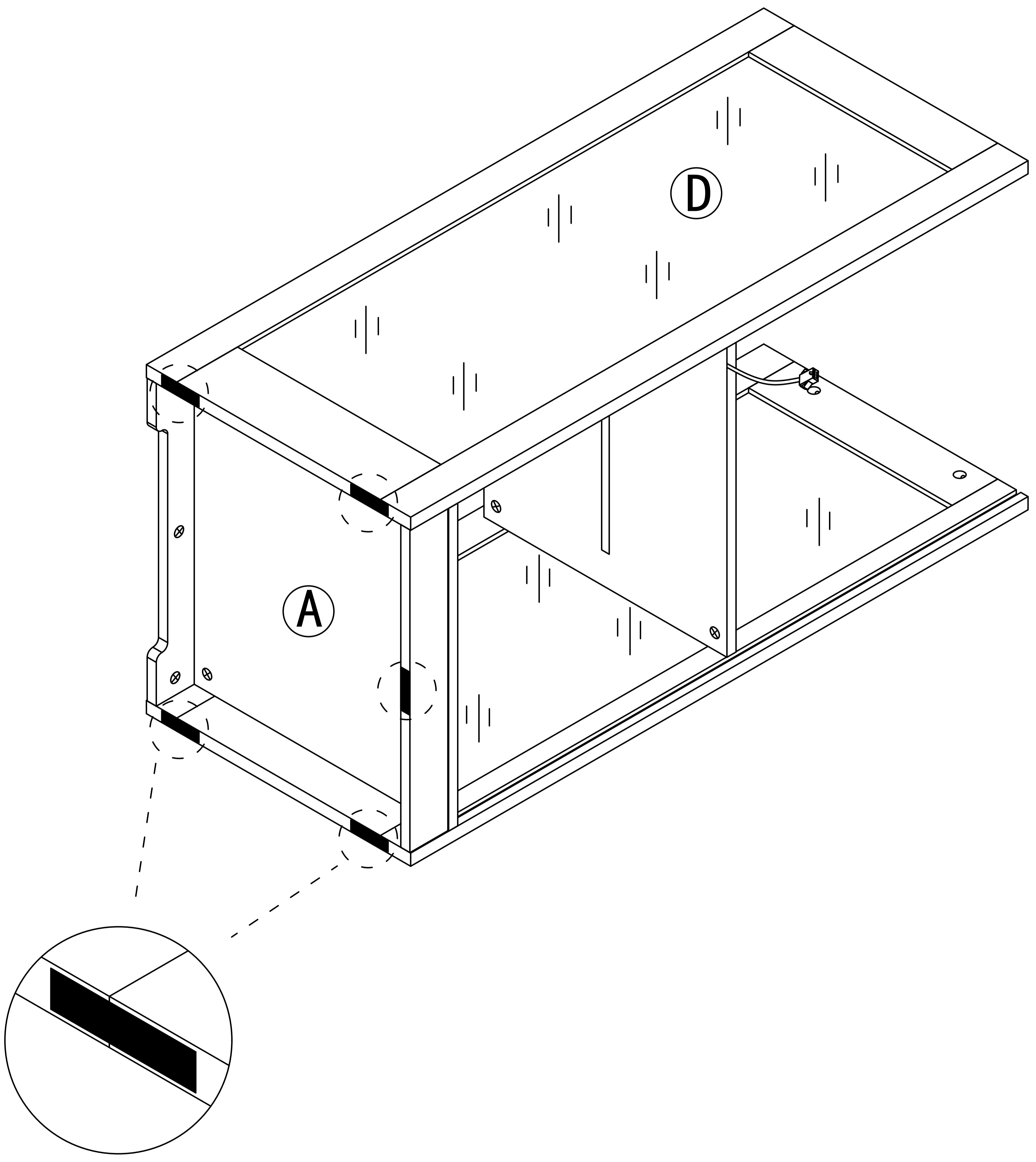


Step 7

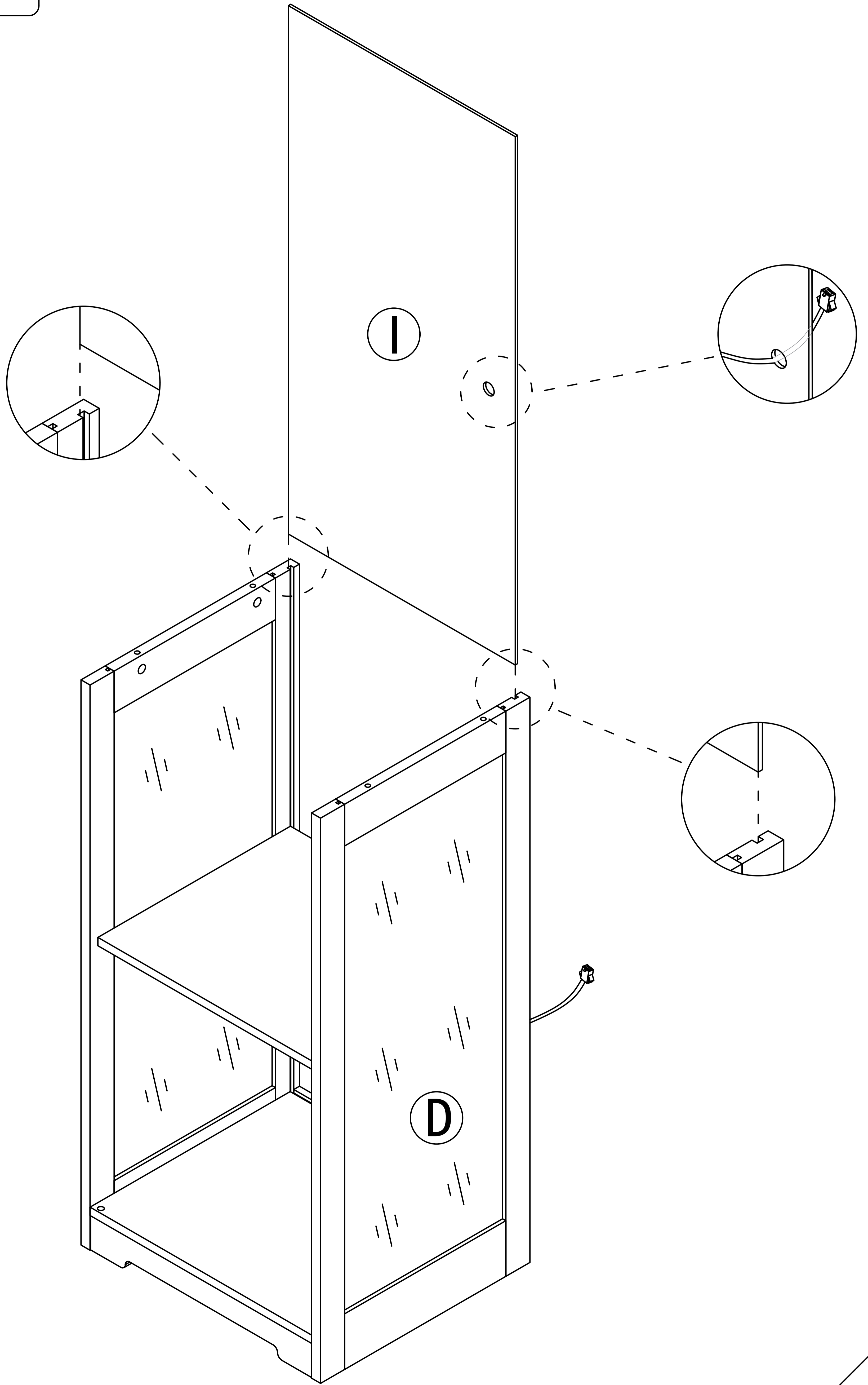


Step 8

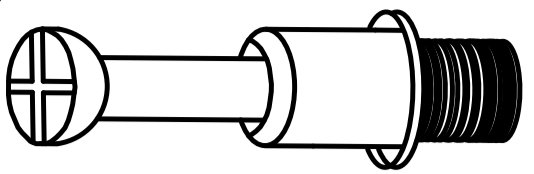
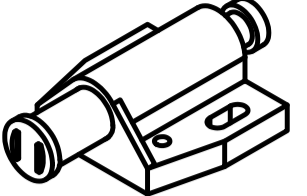
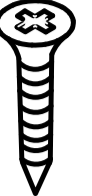
③  x5
Tear off release paper and stick the black foot pad on the board

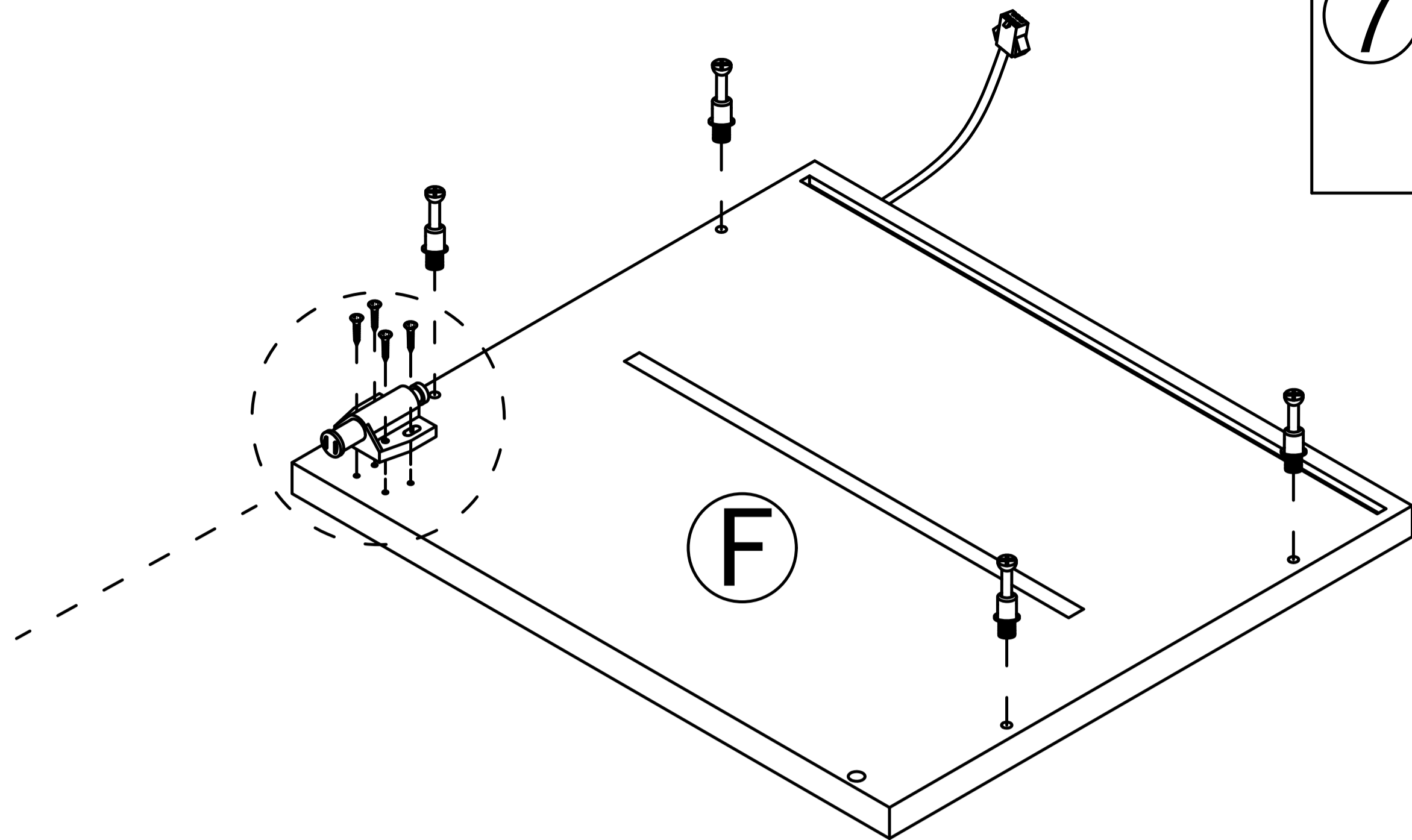
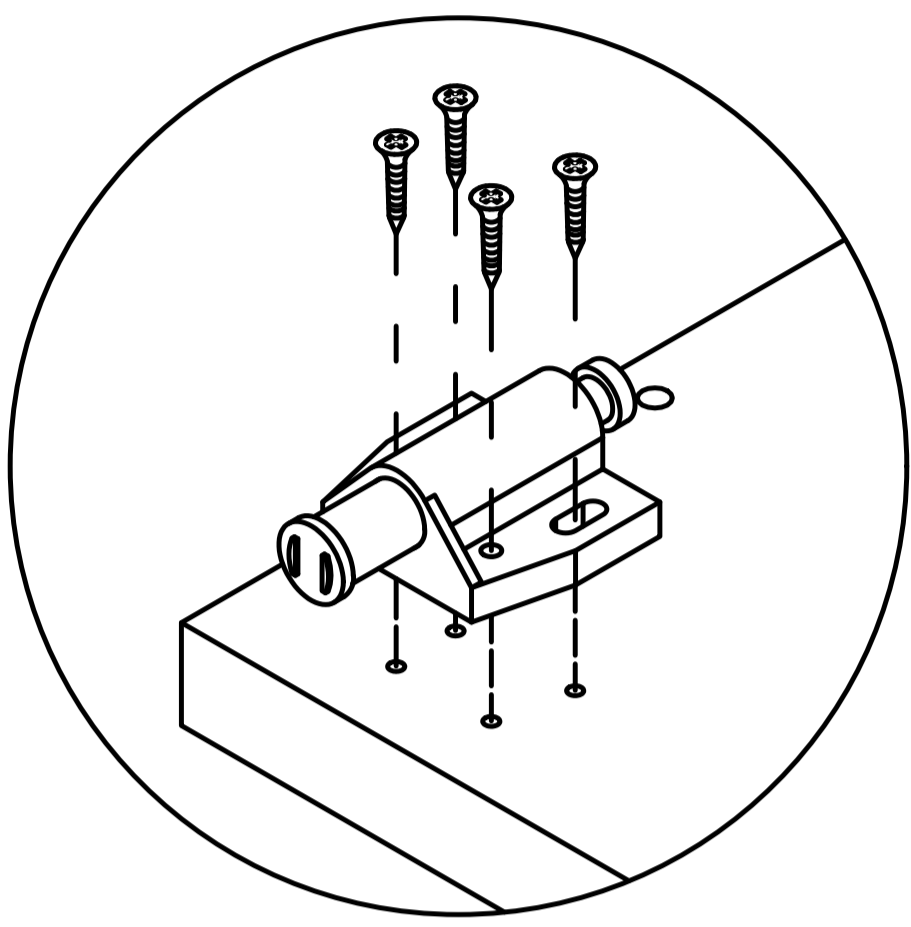


Step 9

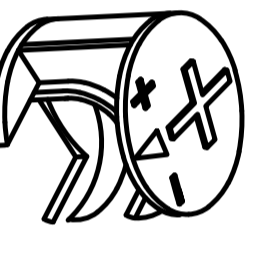


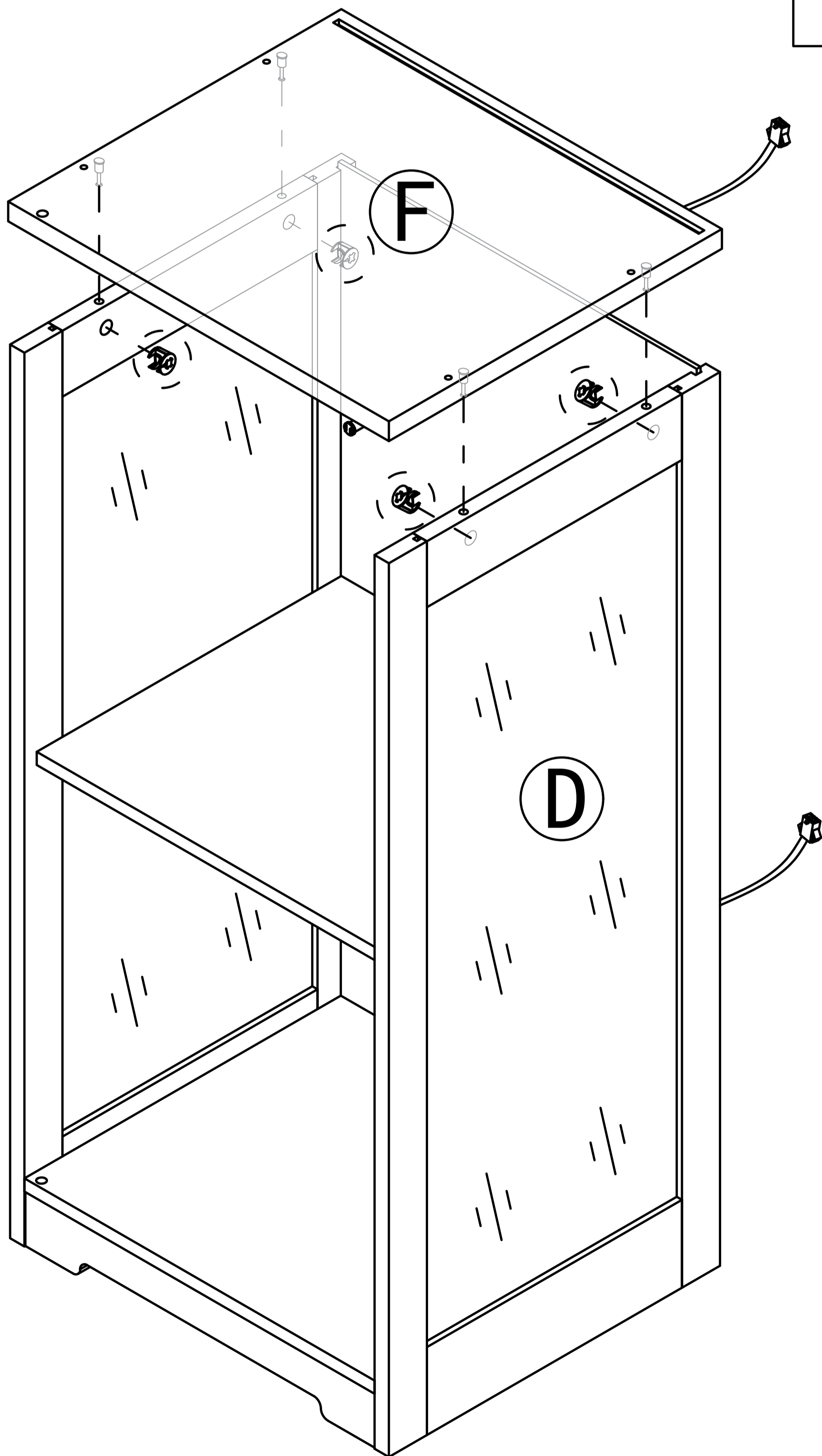
Step 10

- 1  x4
- 7  x1  x4

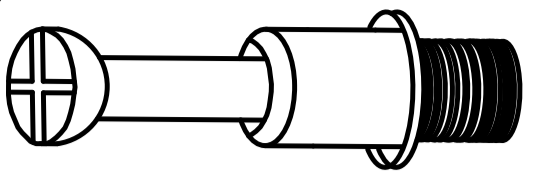
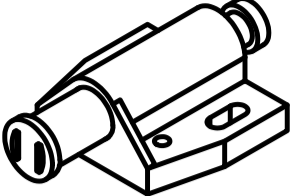
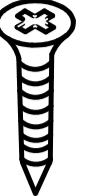


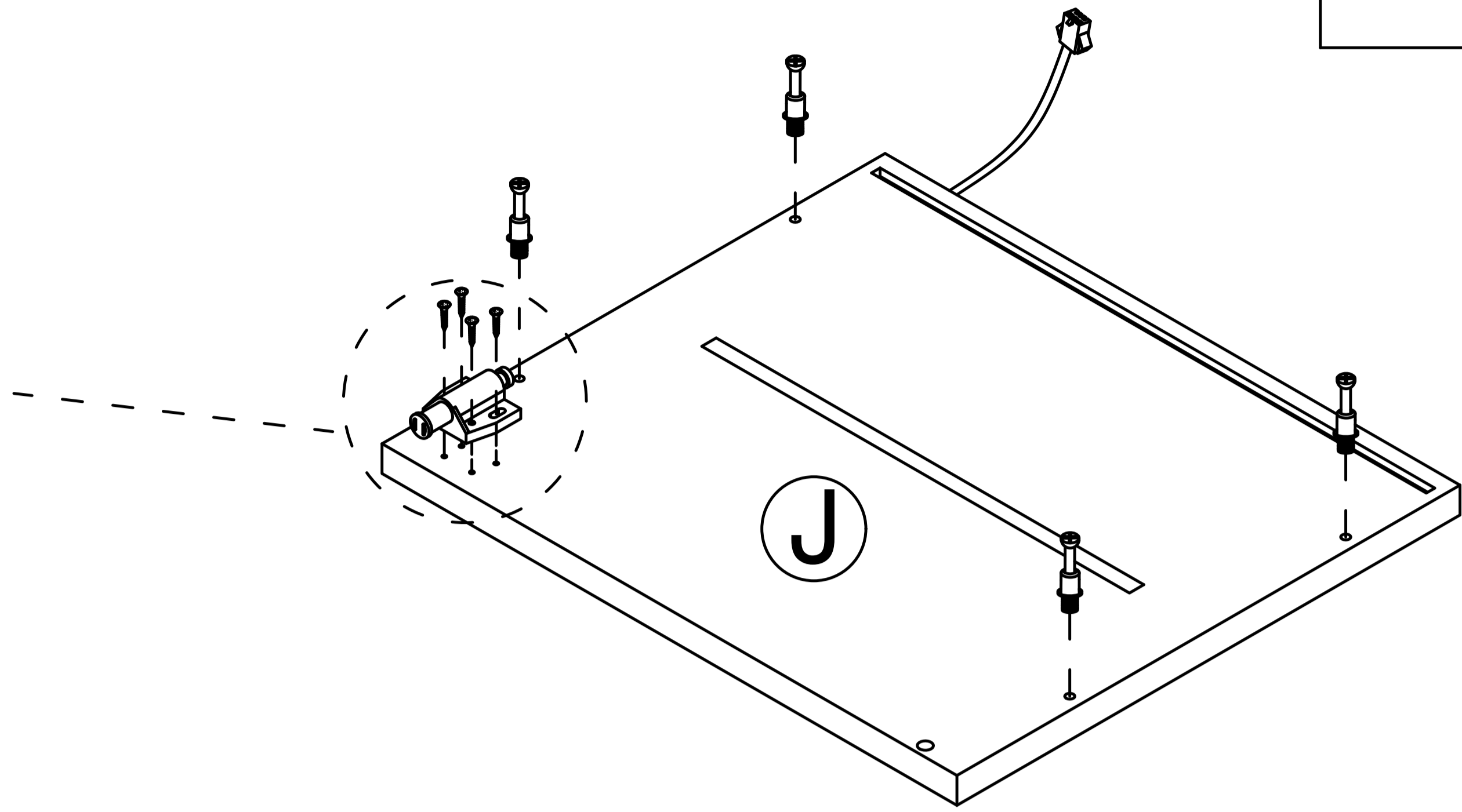
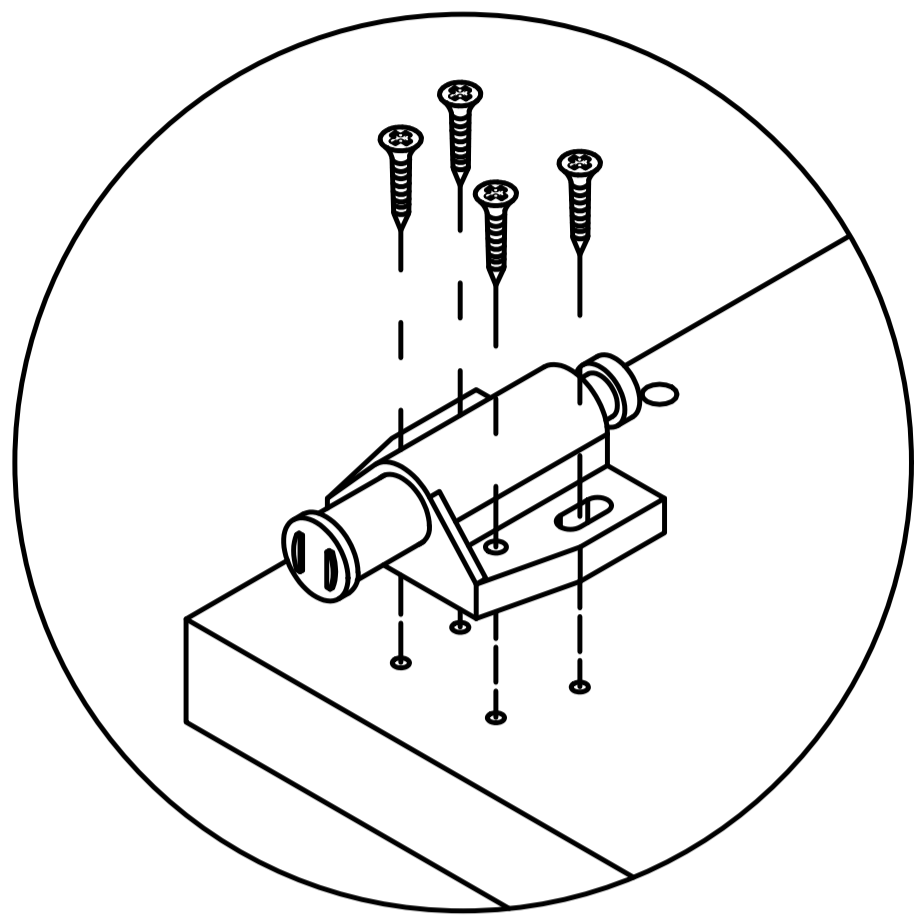
Step 11

- 2  x4

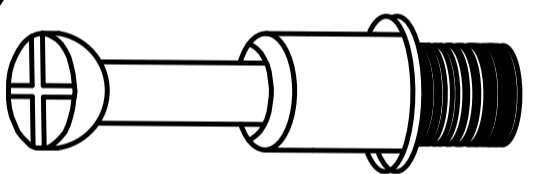


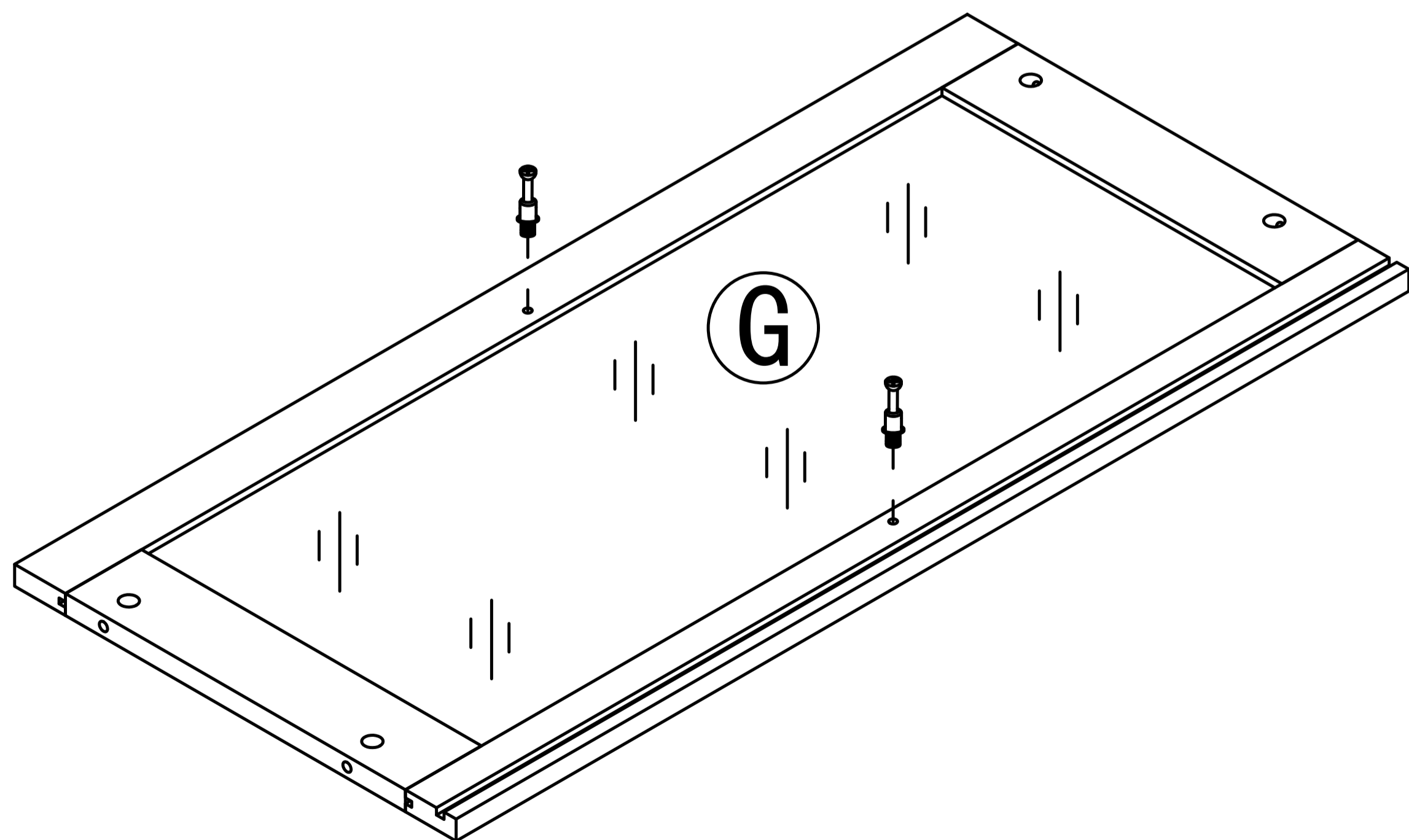
Step 12

- 1  x4
- 7  x1  x4



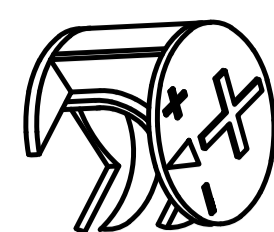
Step 13

- 1  x2

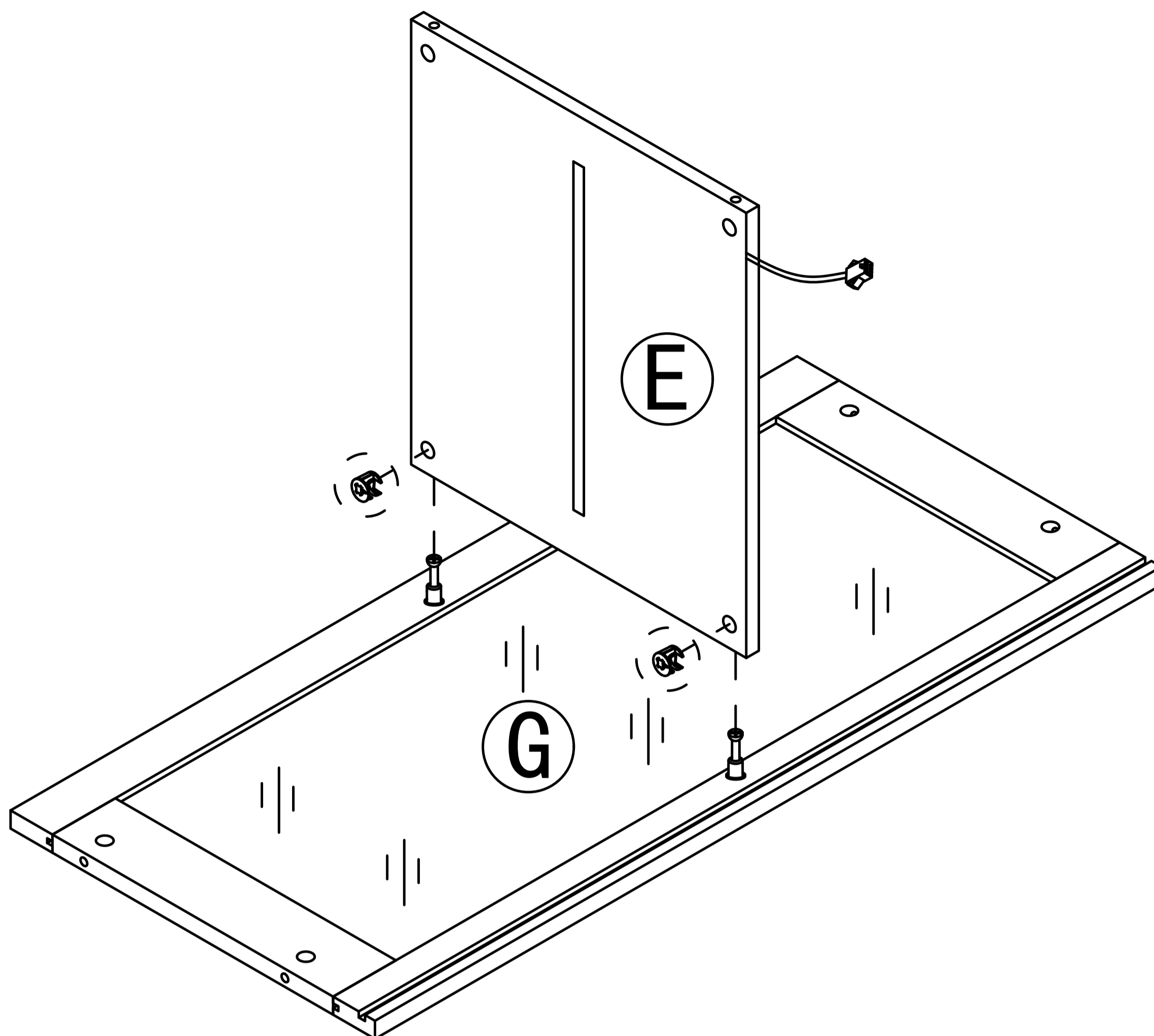


Step 14

2

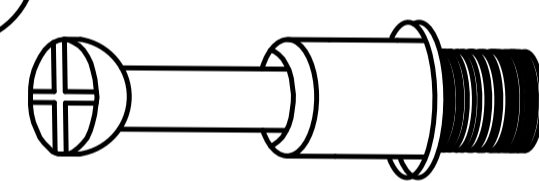


x2

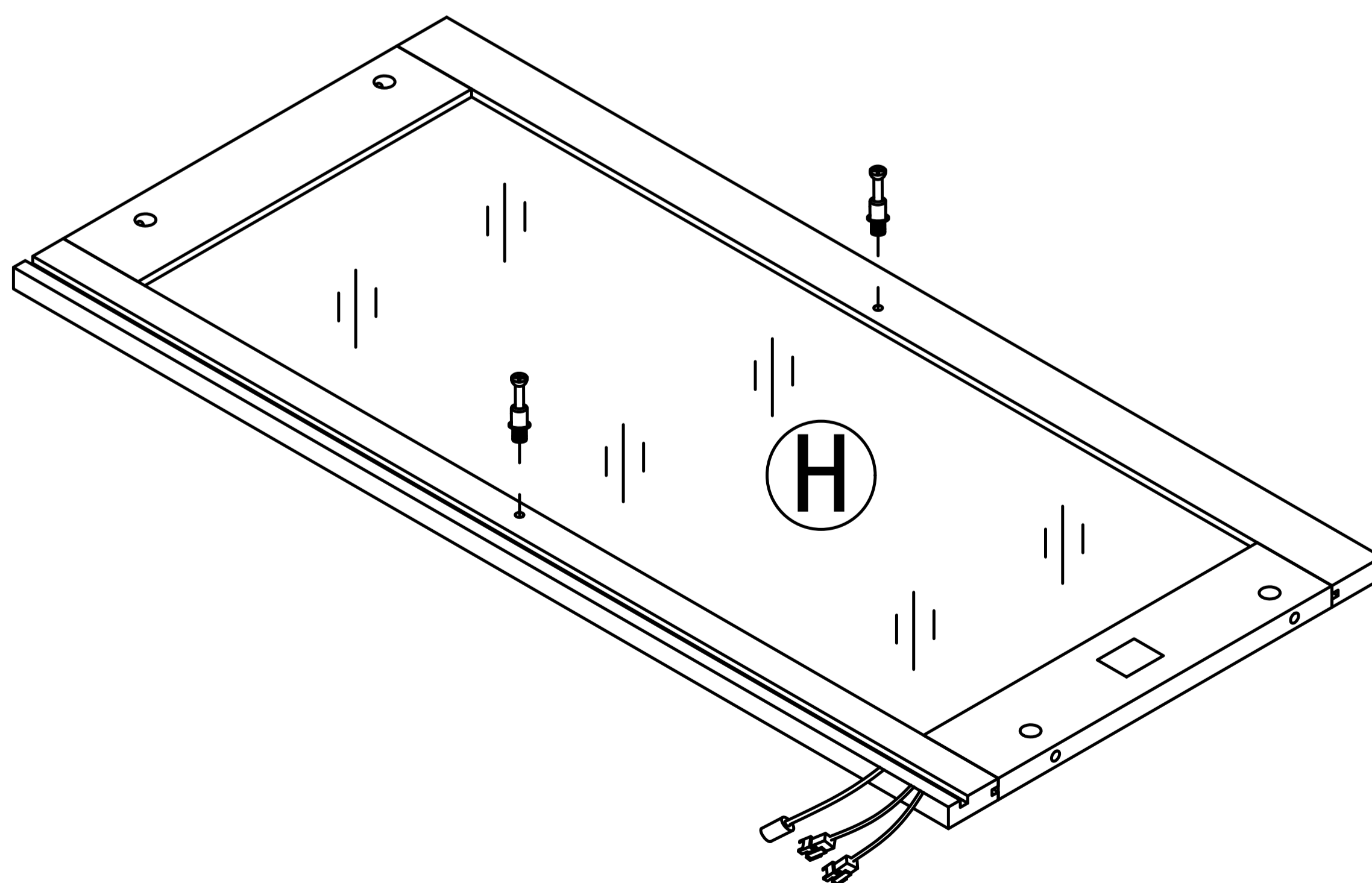


Step 15

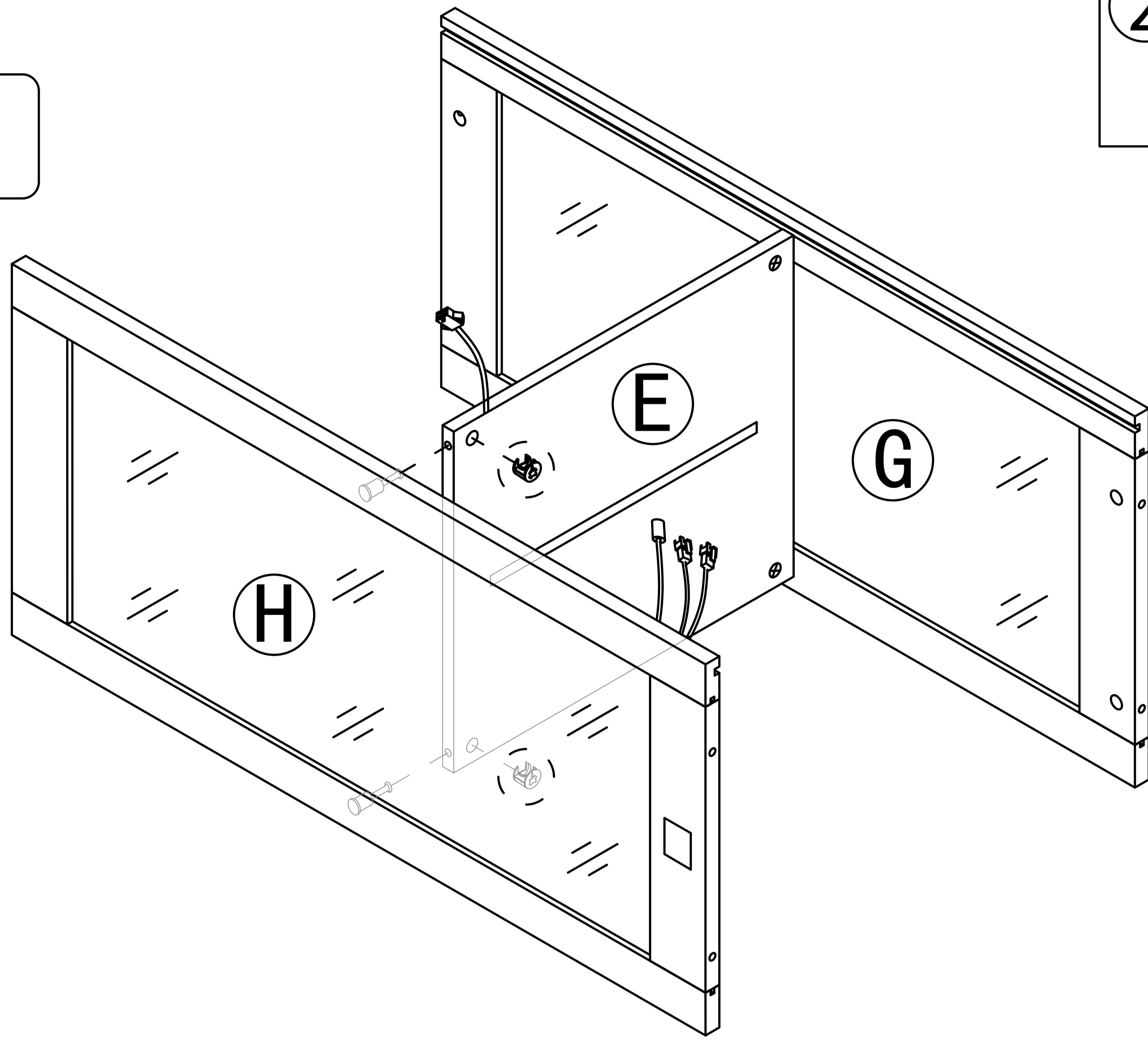
1



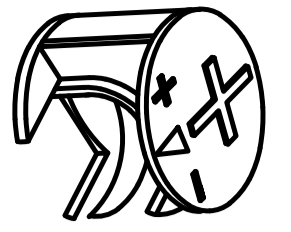
x2



Step 16

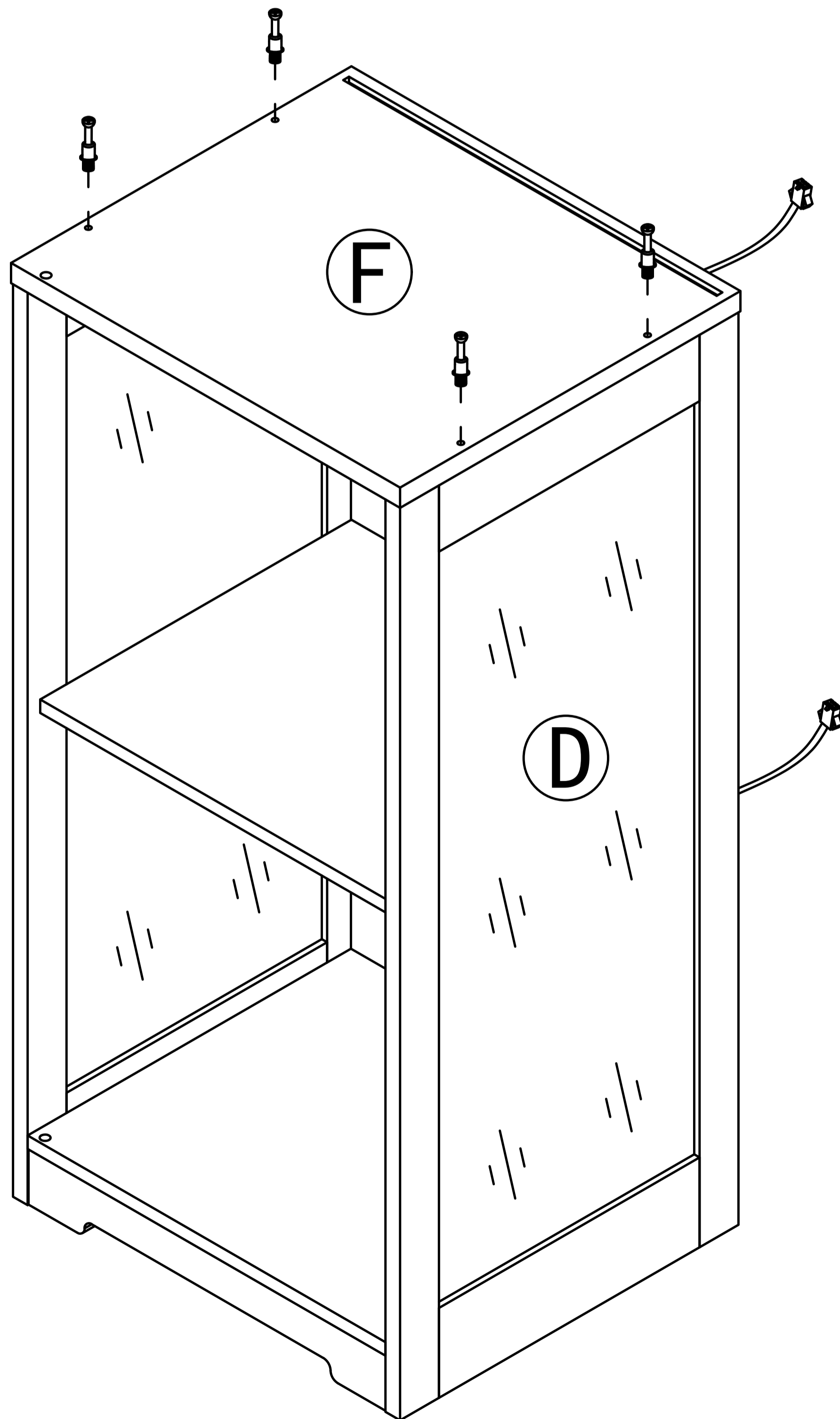


2

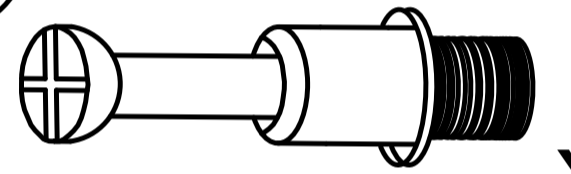


x2

Step 17



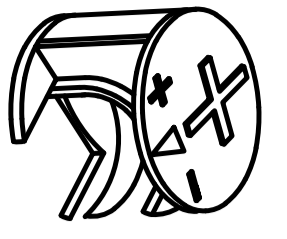
1



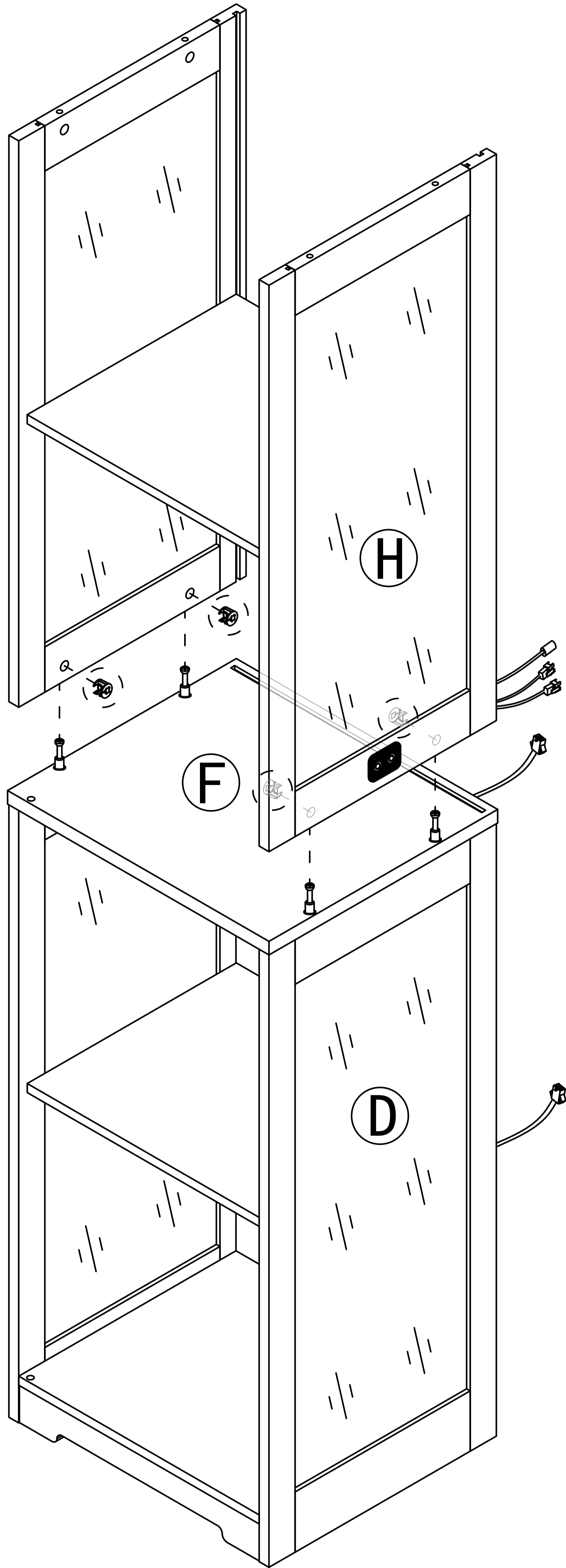
x4

Step 18

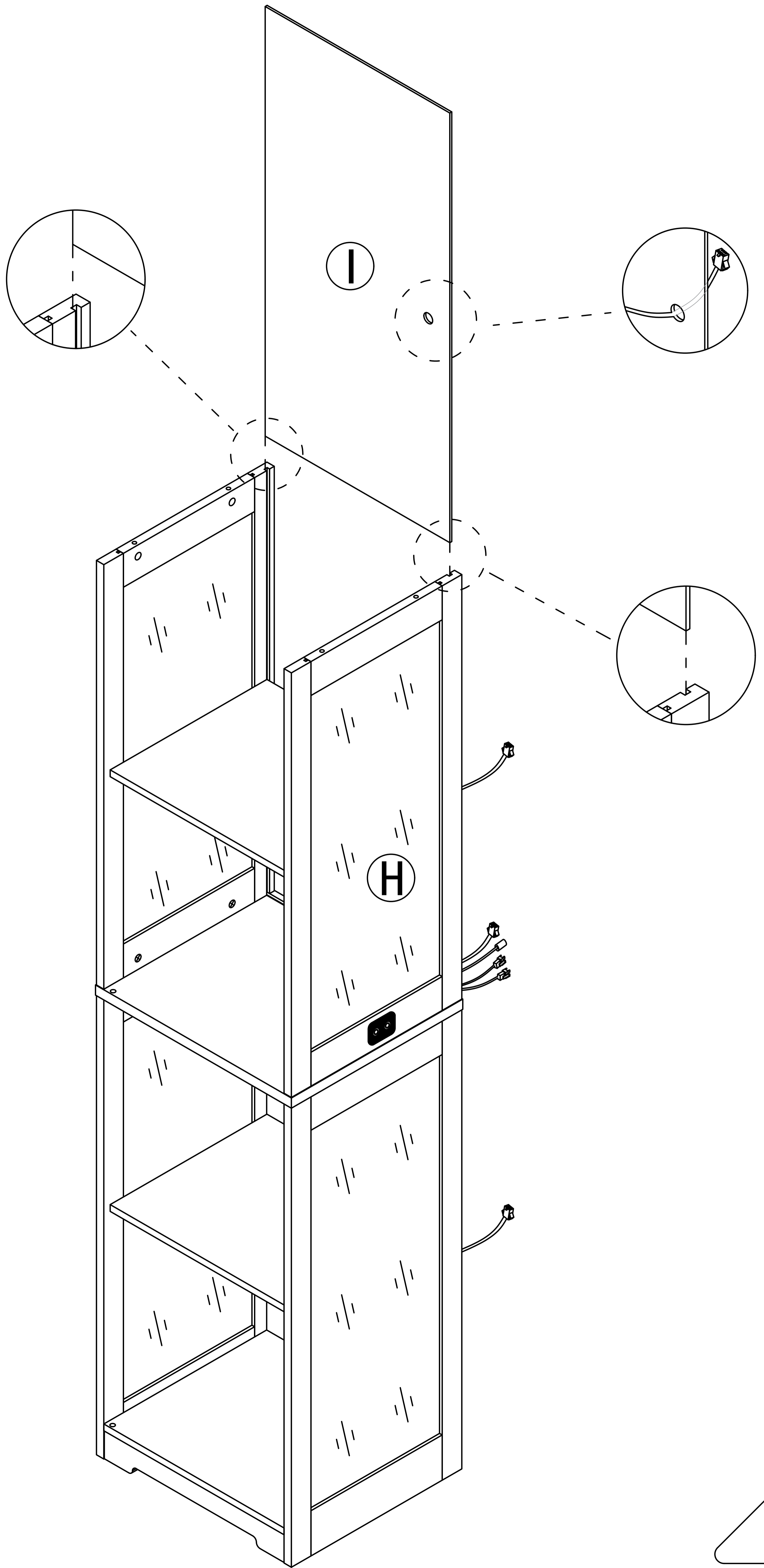
2



x4

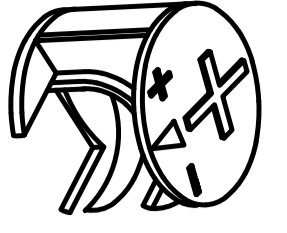


Step 19

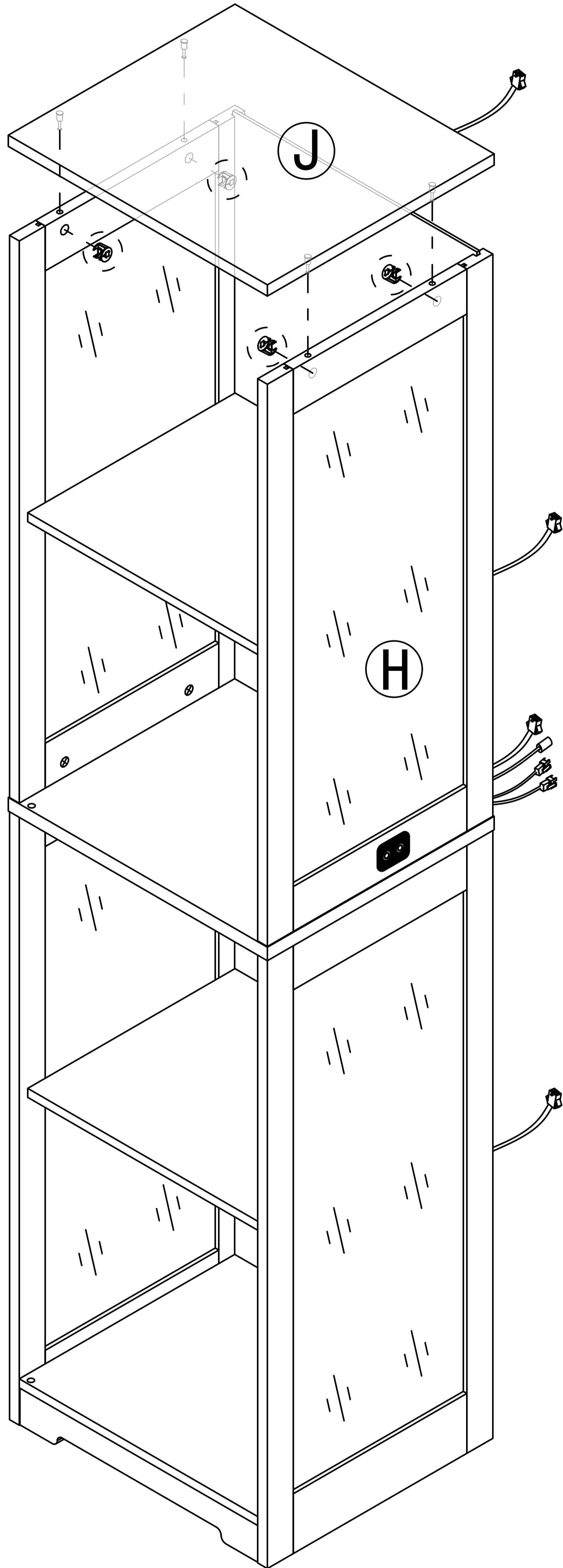


Step 20

2

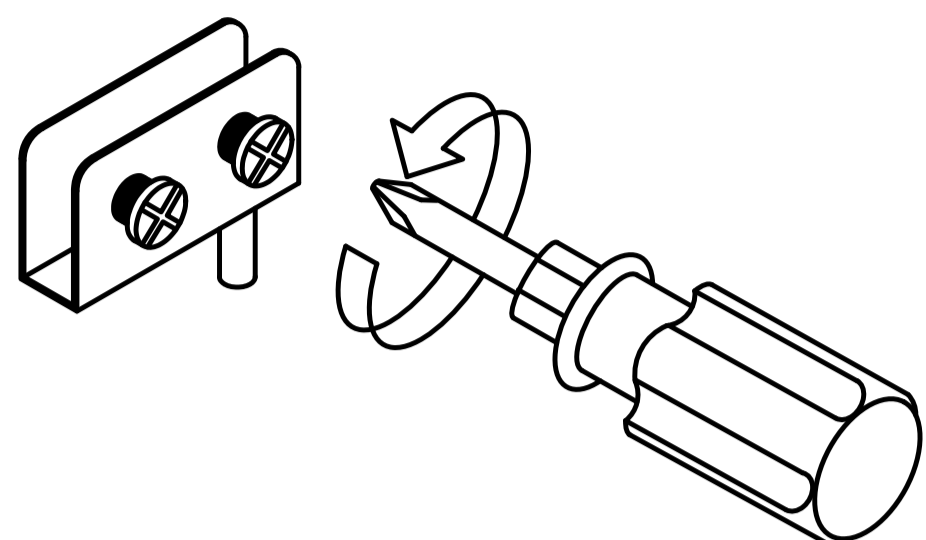


x4

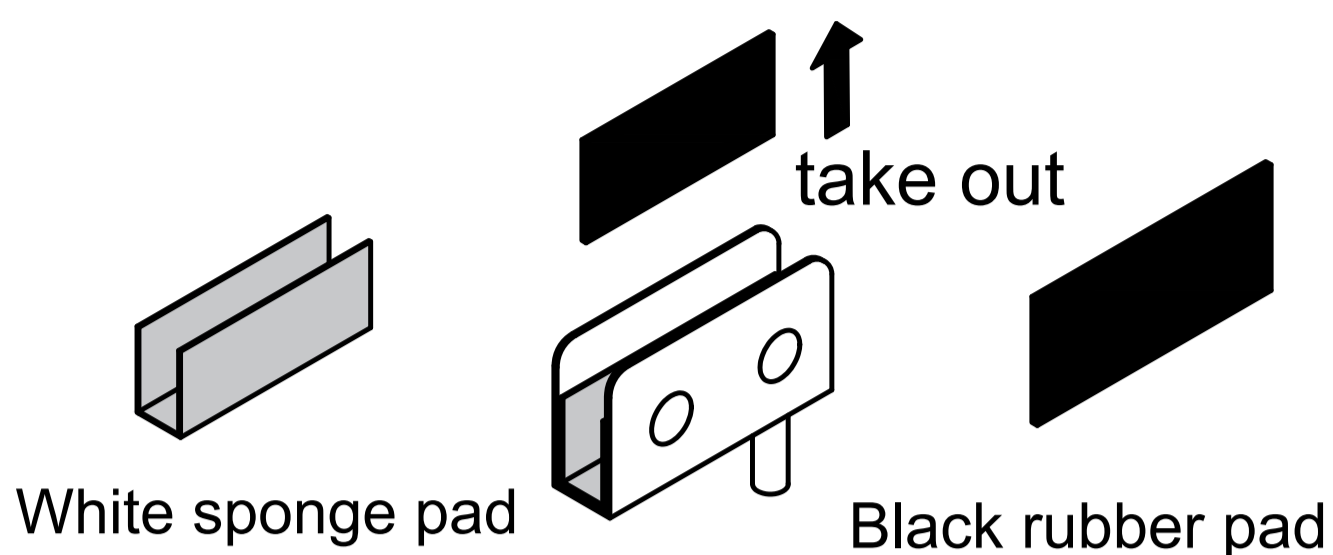


Step 21

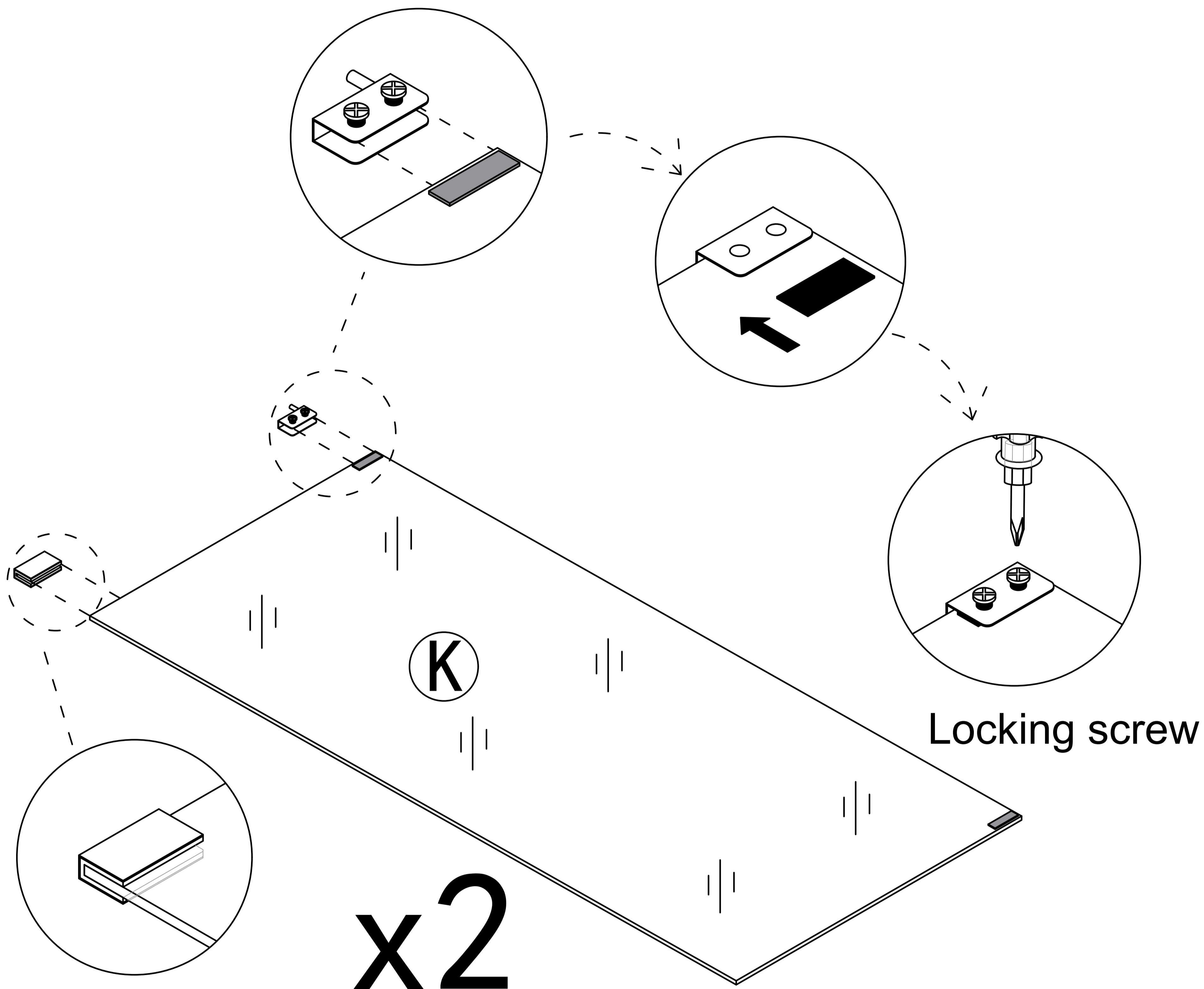
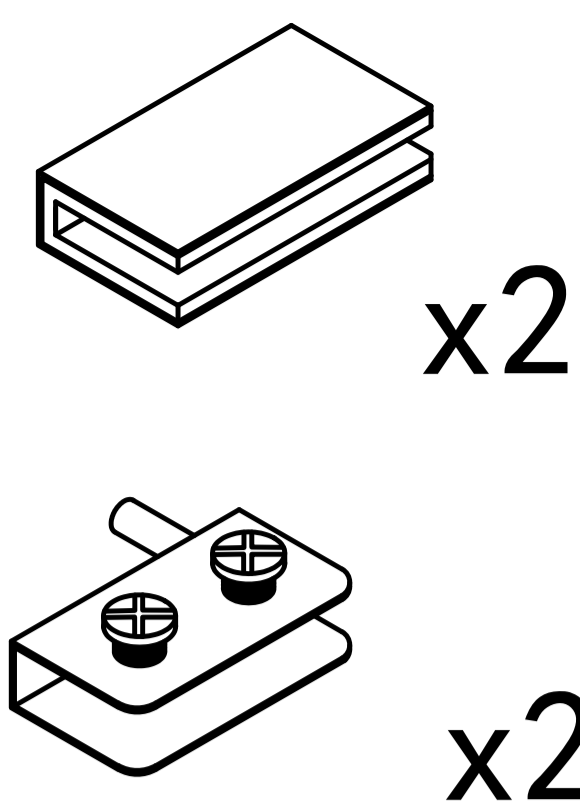
First, completely unscrew the screws on the parts



Then take out the black rubber pad from the inside of the part, and the white sponge remains unchanged inside the part.



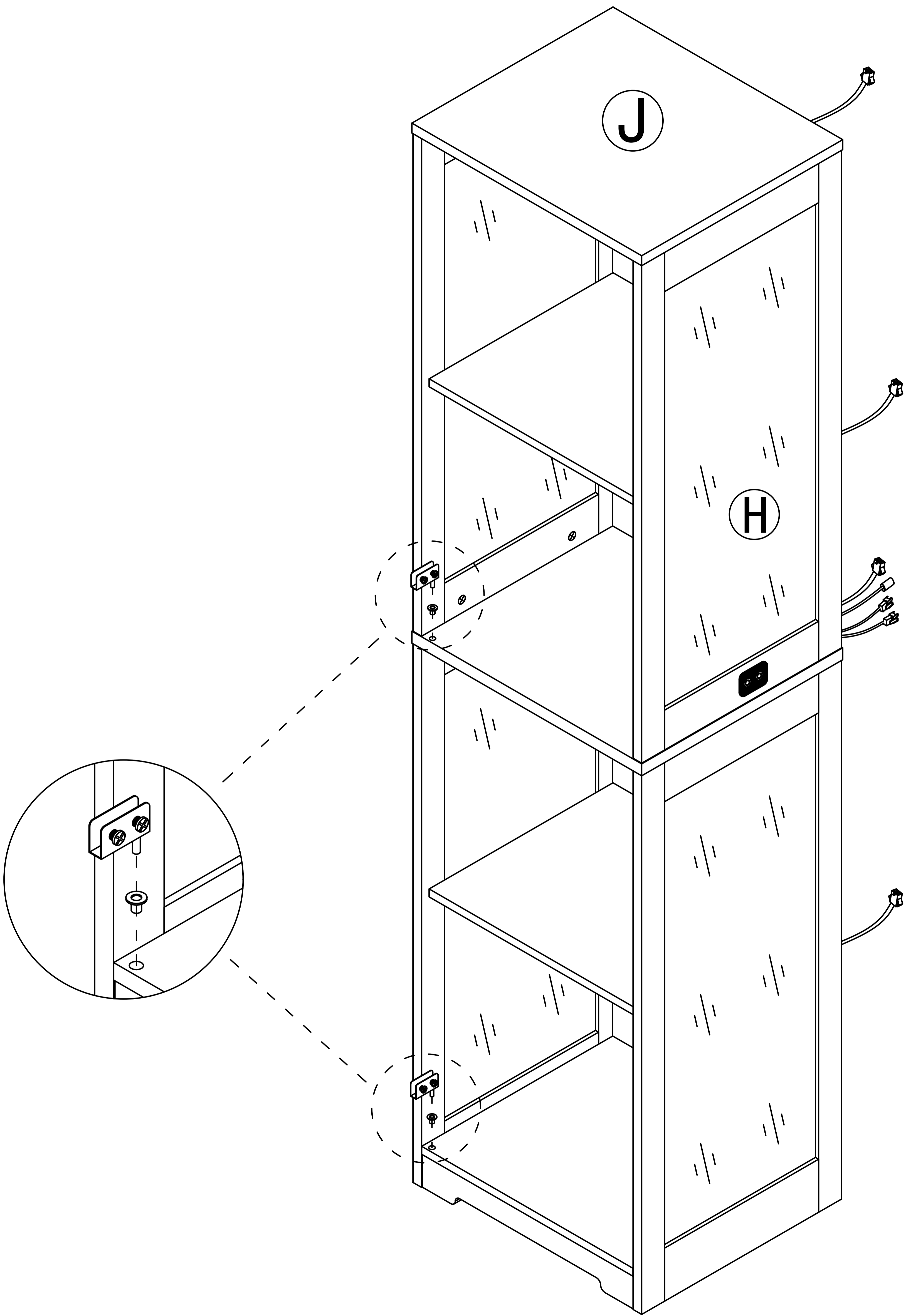
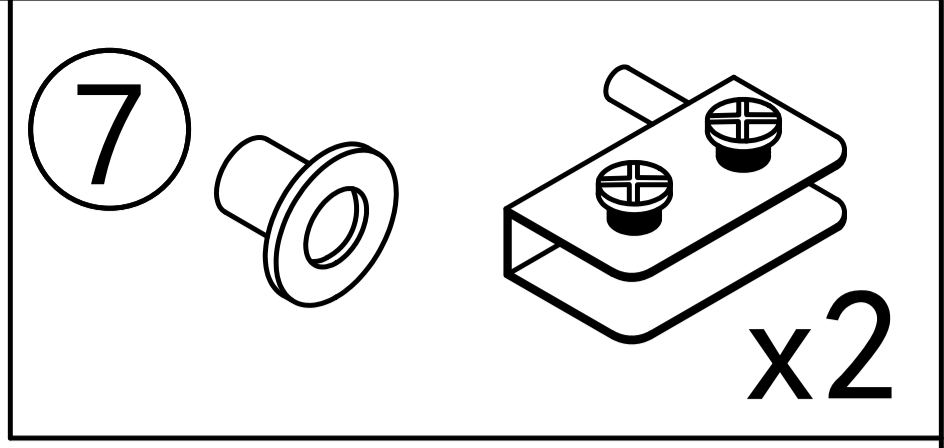
7



Pay attention to the direction of the door hinge, rotate the screws to compress the black gasket, and do not place it in the opposite direction

Place the black gasket on the side where the screws are installed

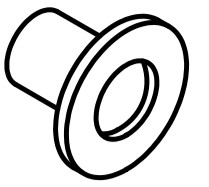
Step 22



Step 23

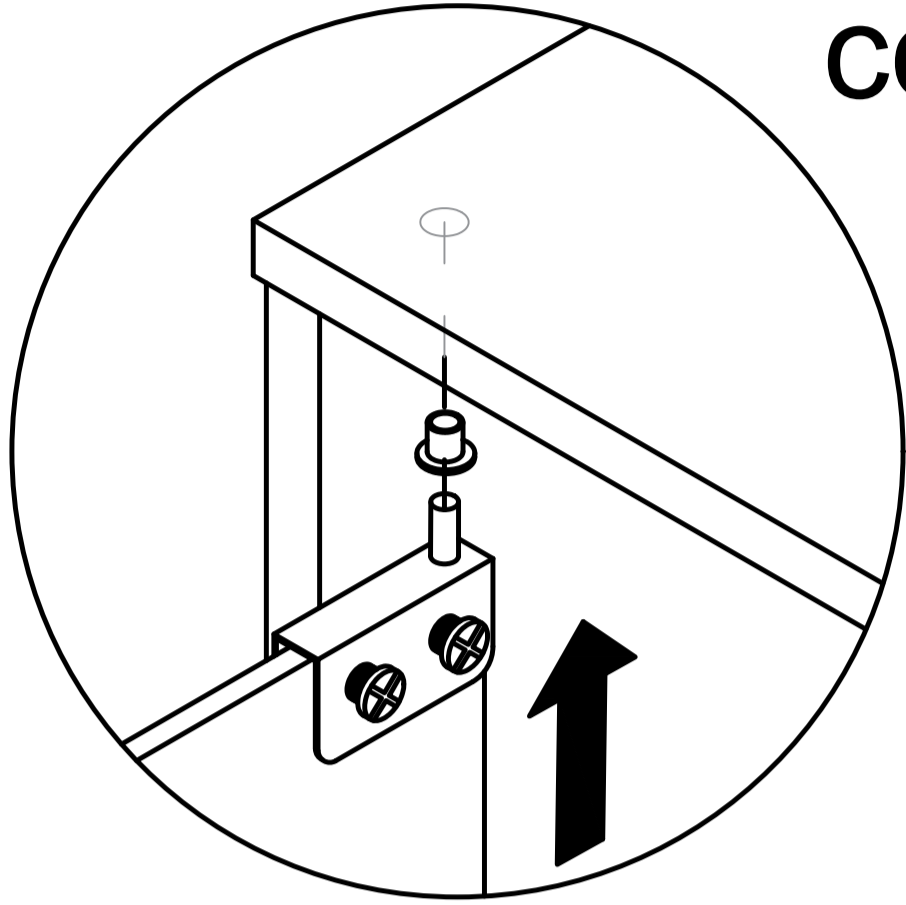
Pay attention to the direction of the door hinge during installation

7

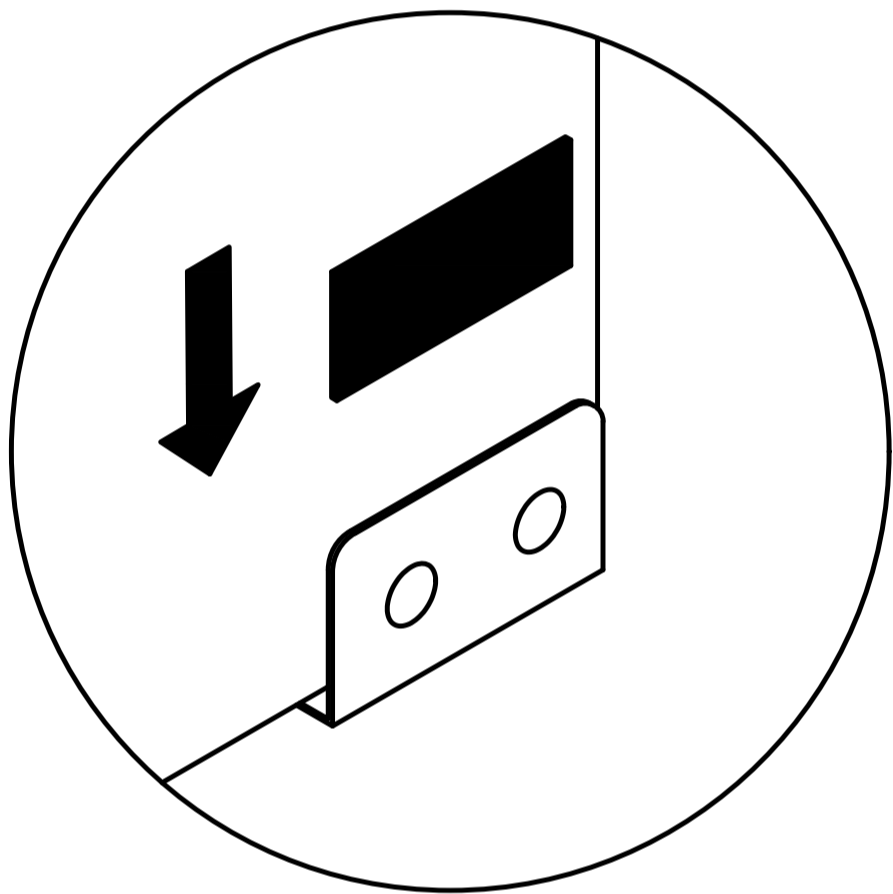


x2

When installing a glass door, it is recommended to have two people install it to avoid the glass door colliding or hitting oneself.

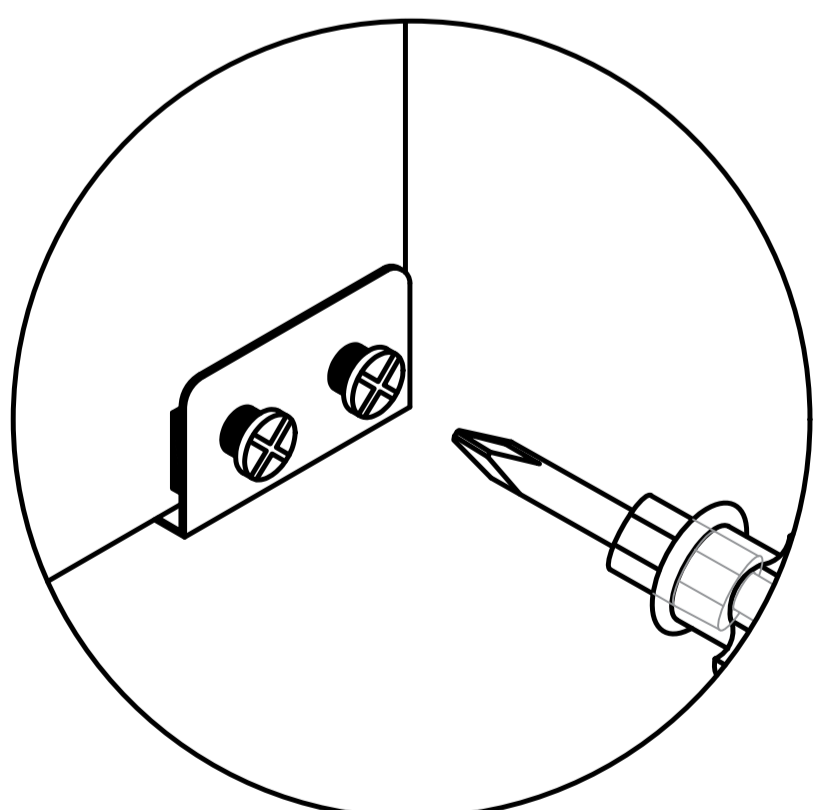


first



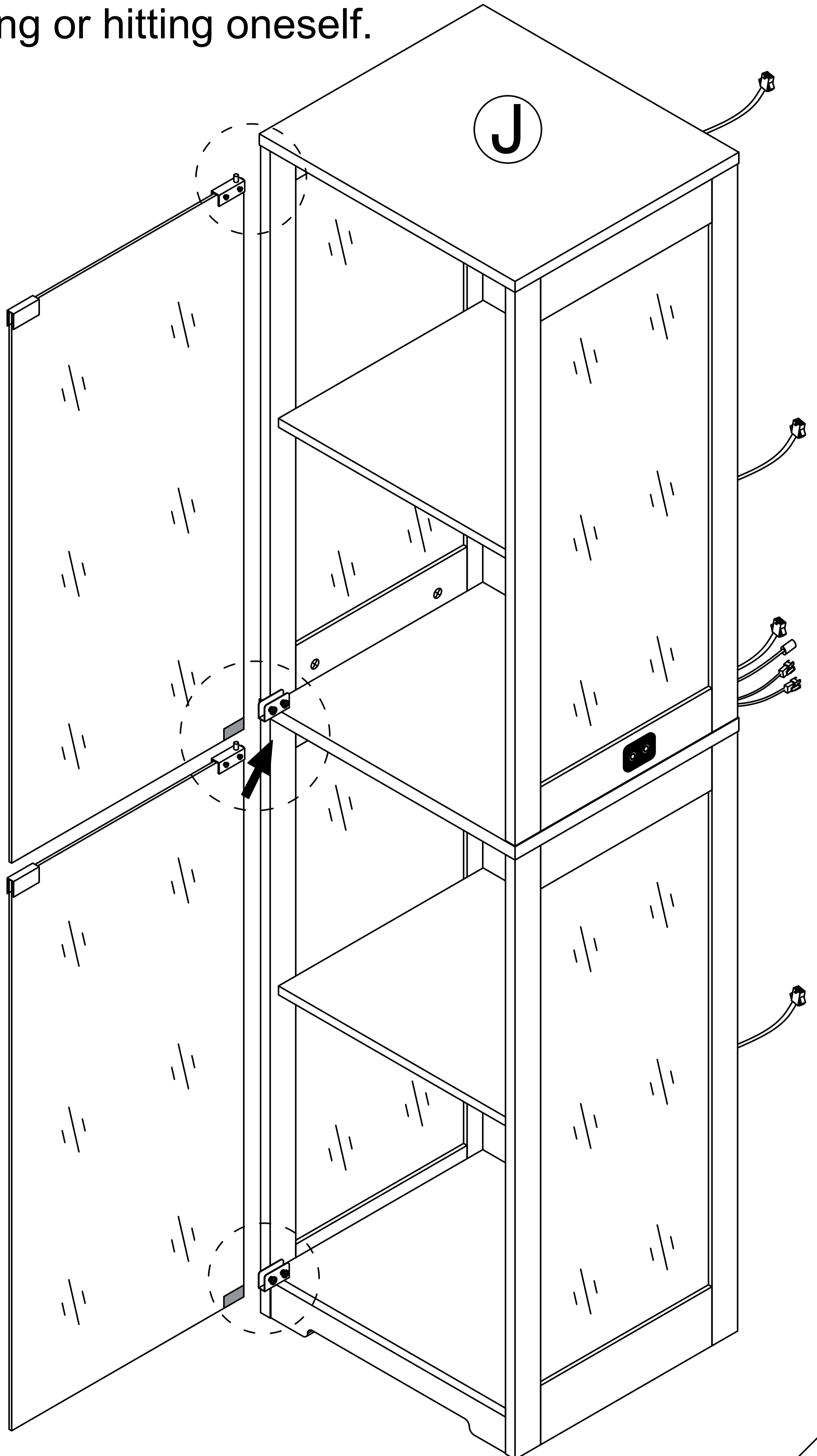
second

After installing the glass door, place the black gasket on the side where the screws are installed

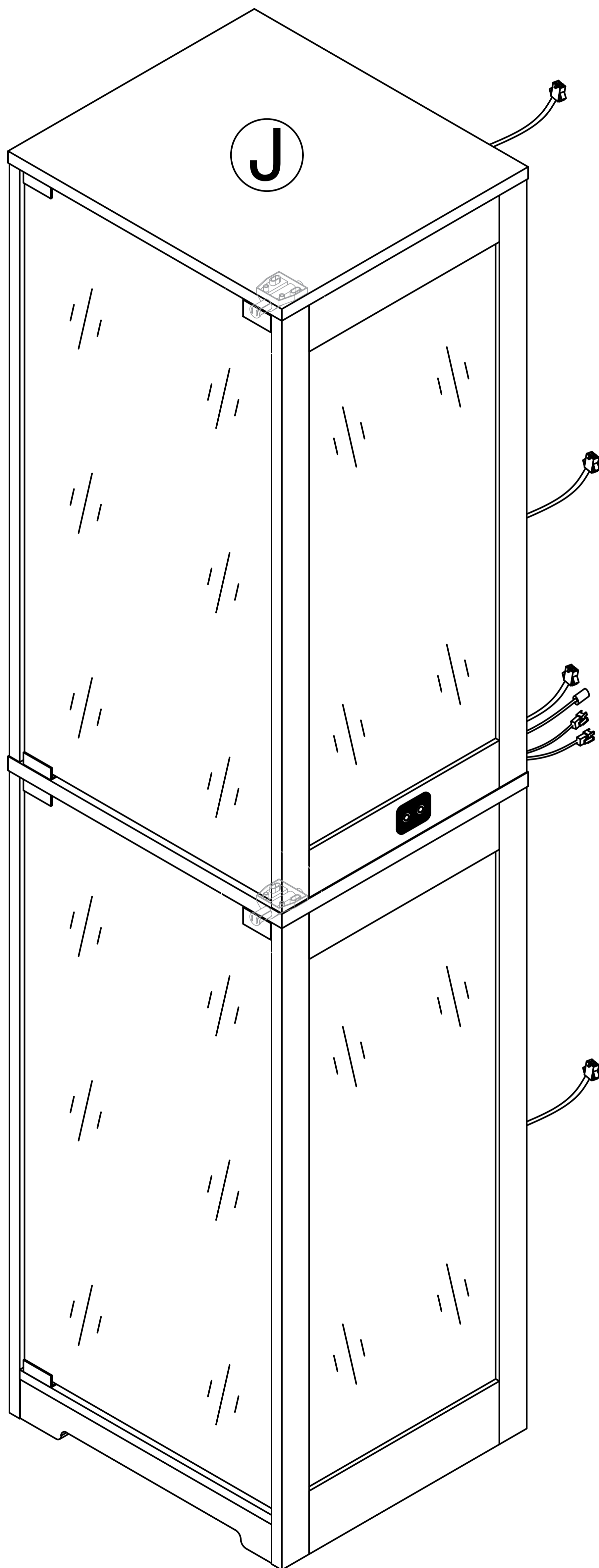


third

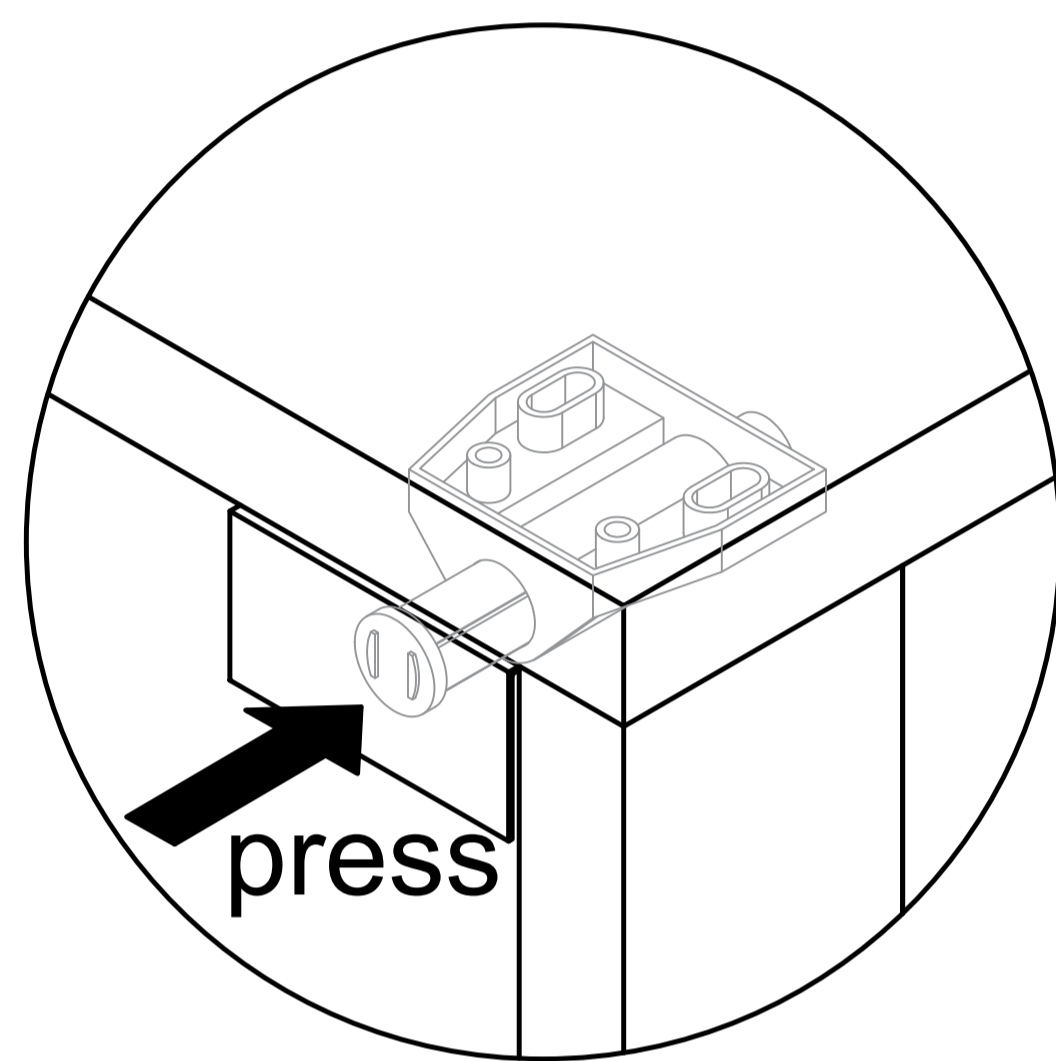
Locking screw



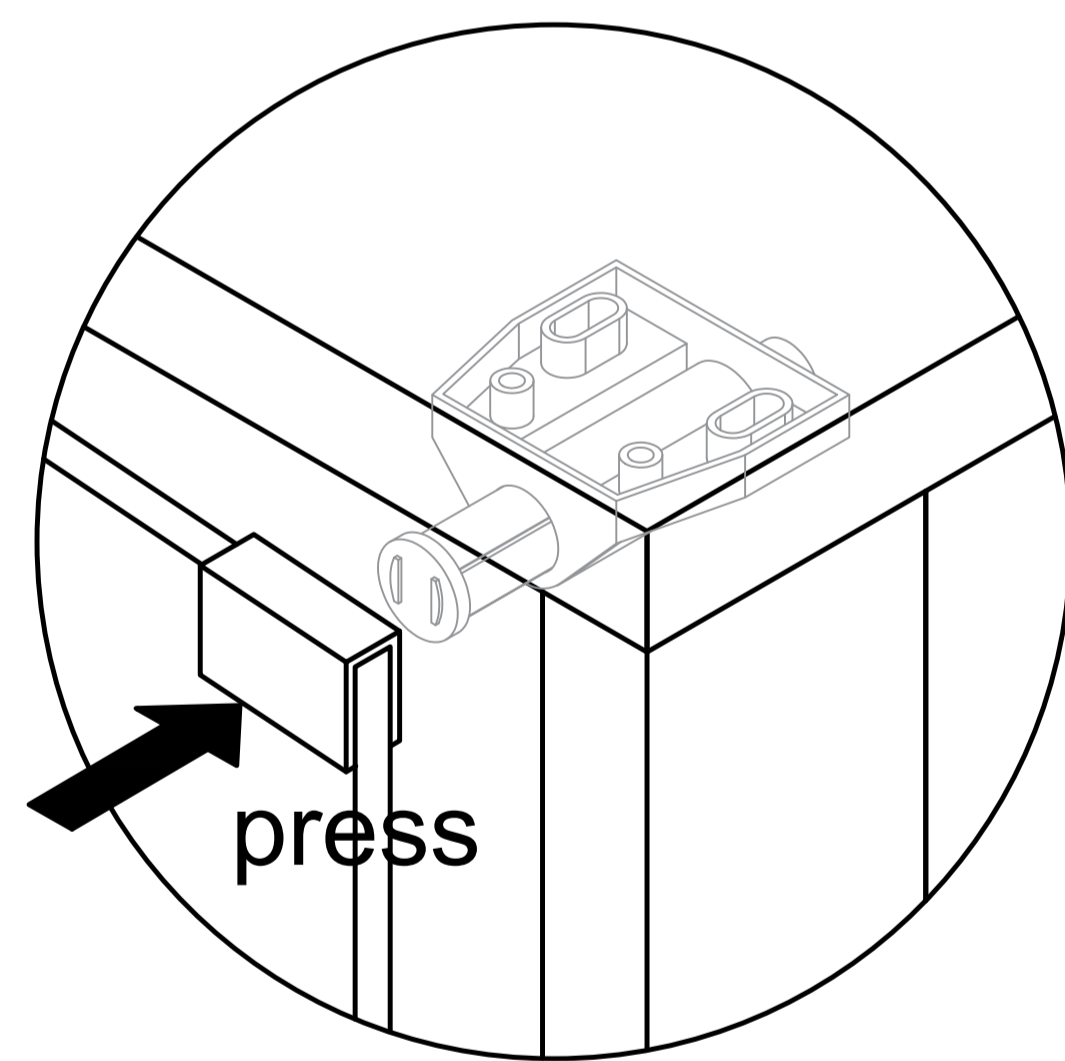
Step 24



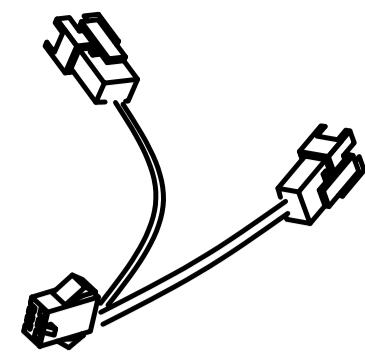
Open the glass door

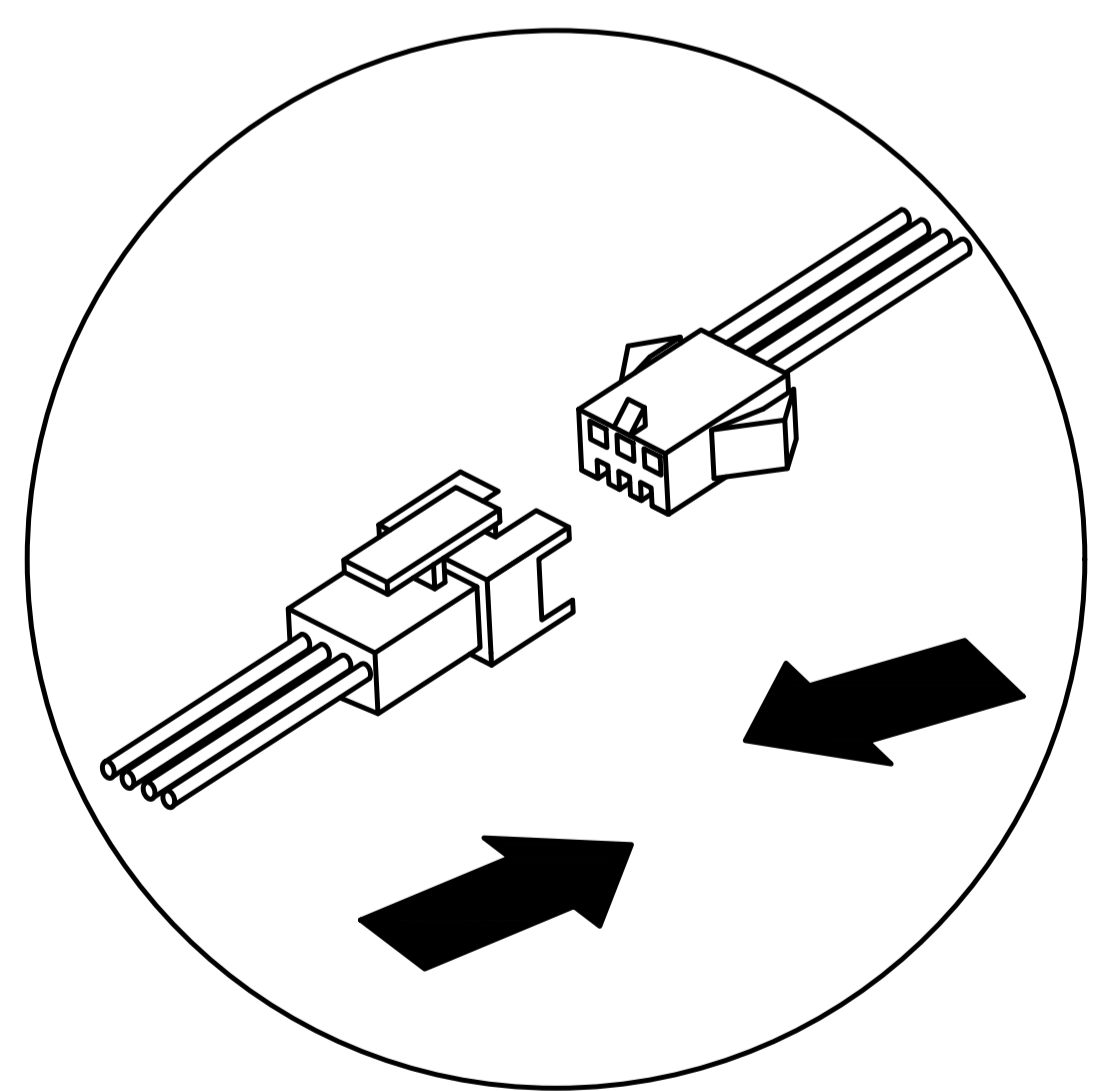
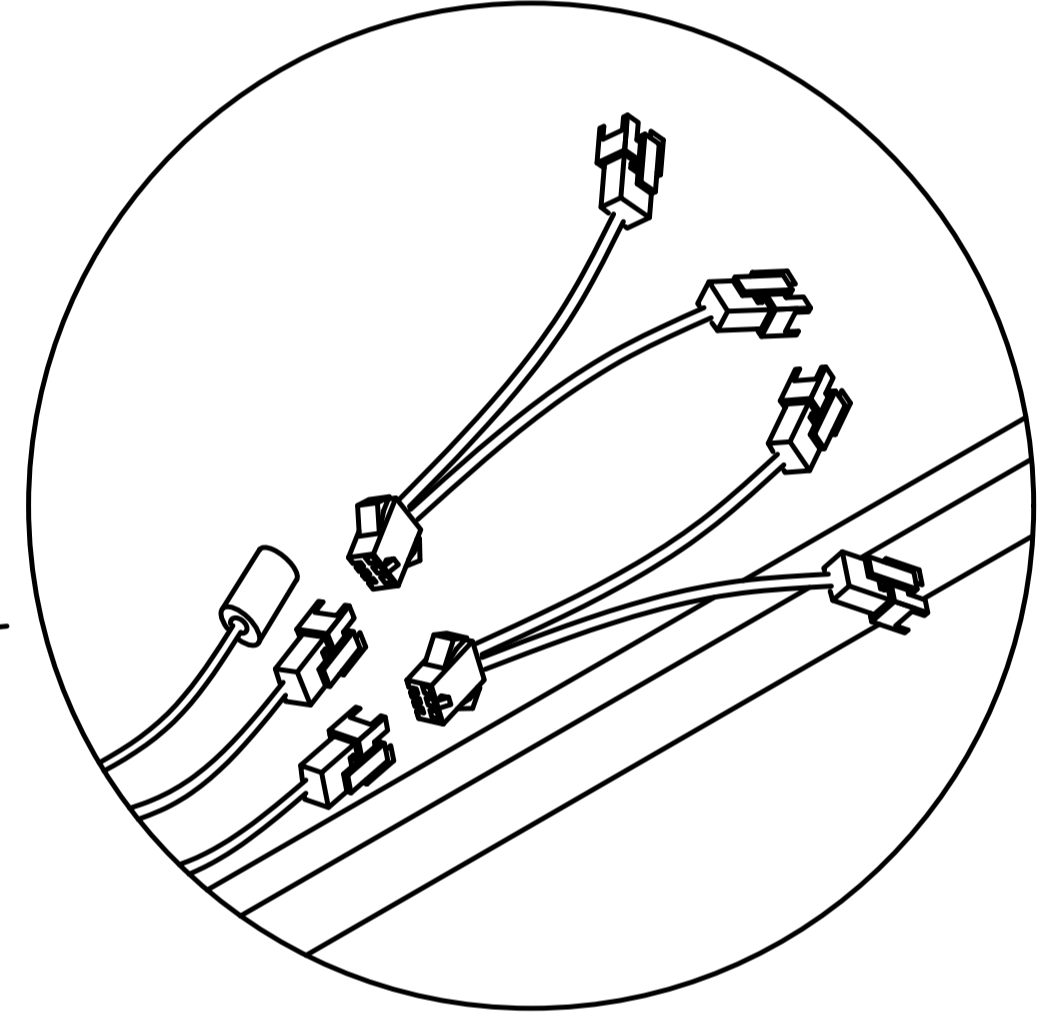
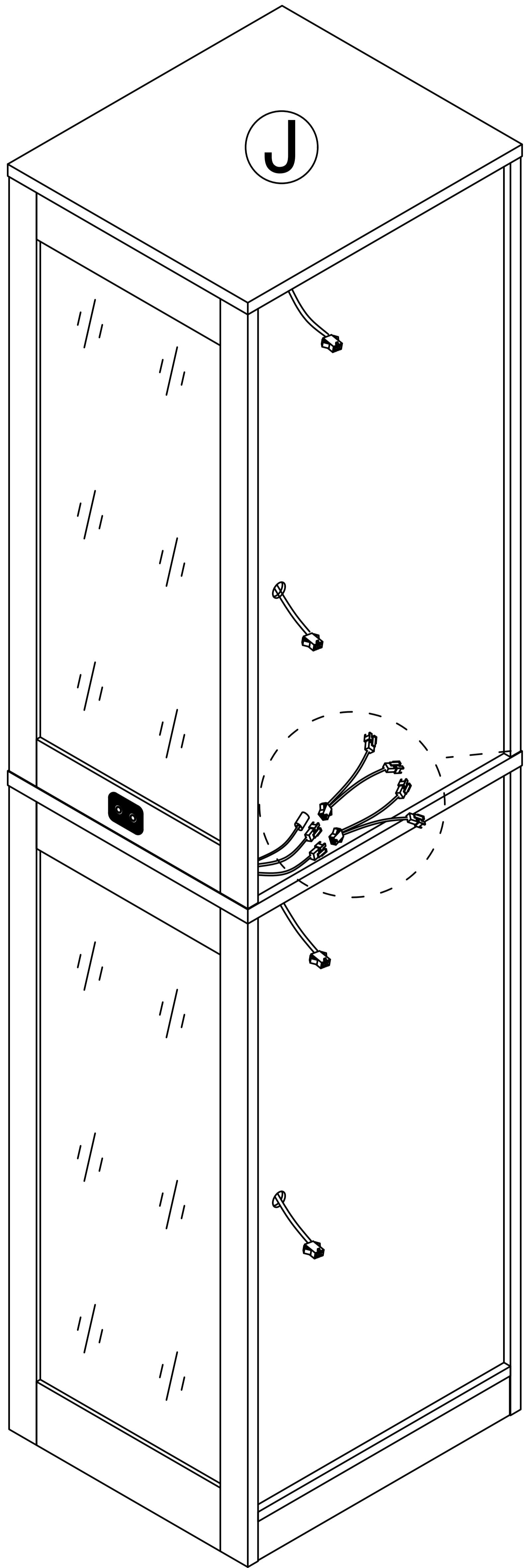


Close the glass door

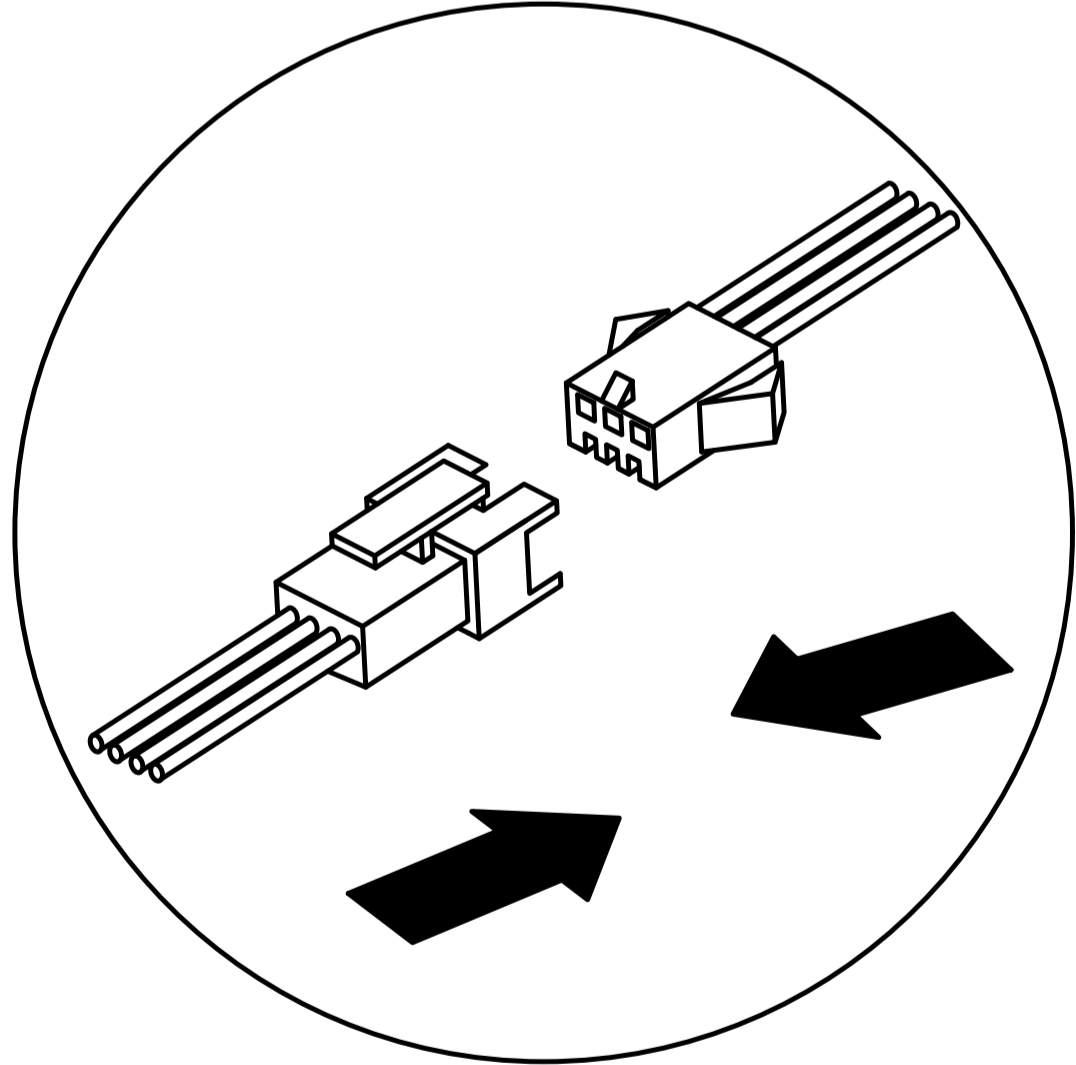
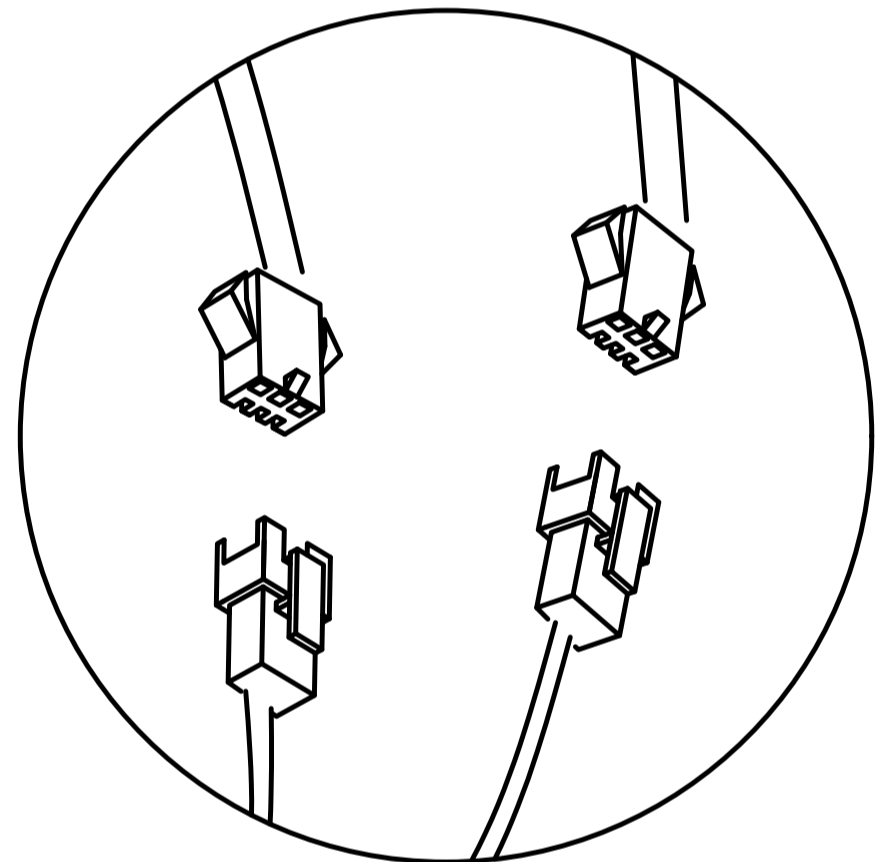
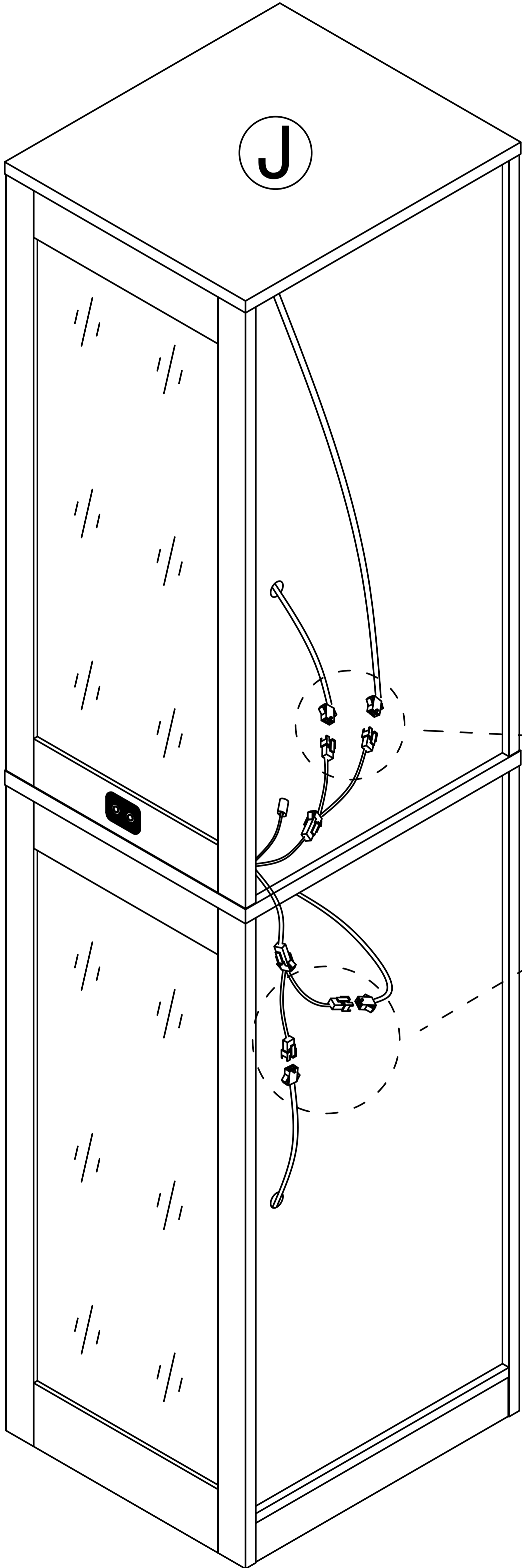


Step 25

⑥  x2

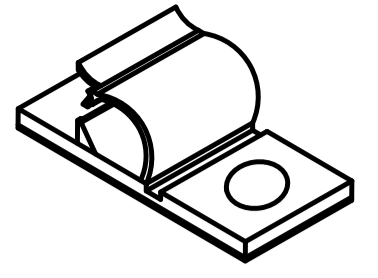


Step 26

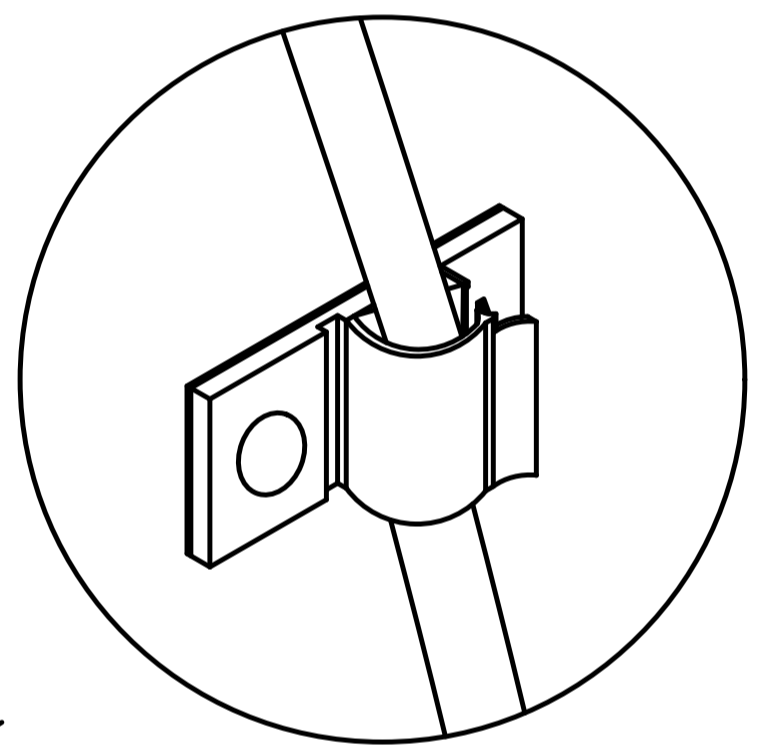
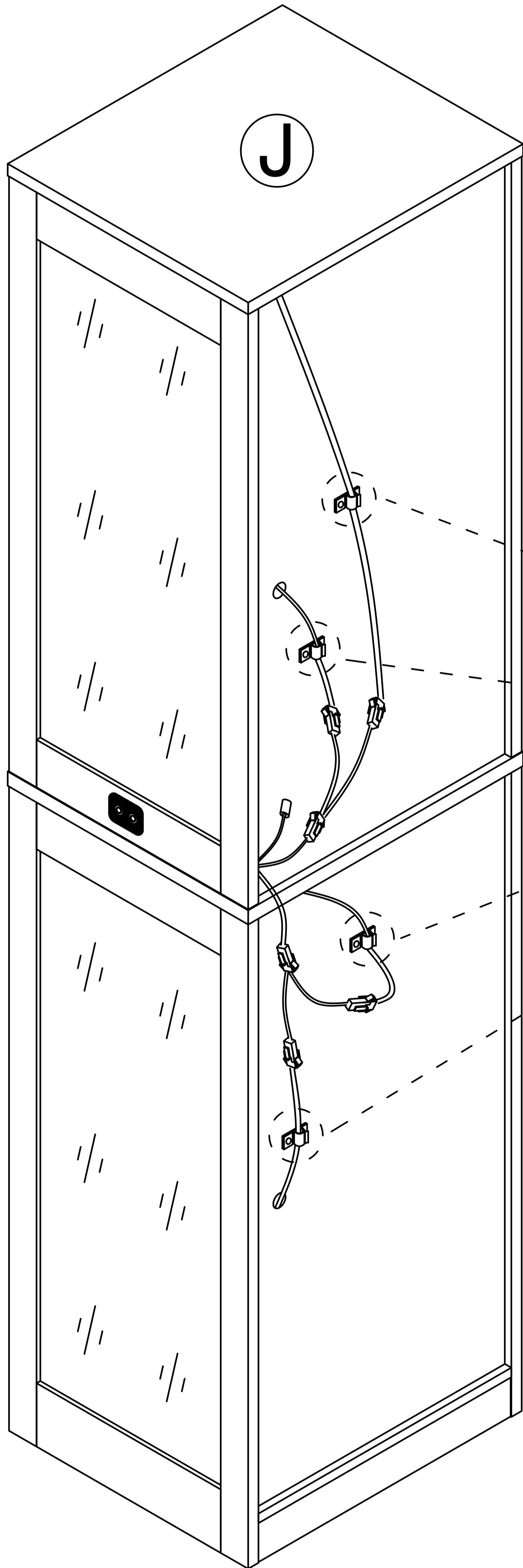


Step 27

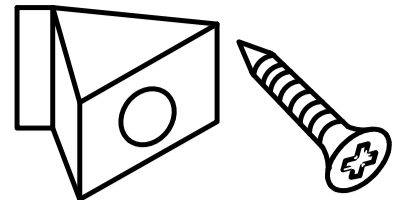
5

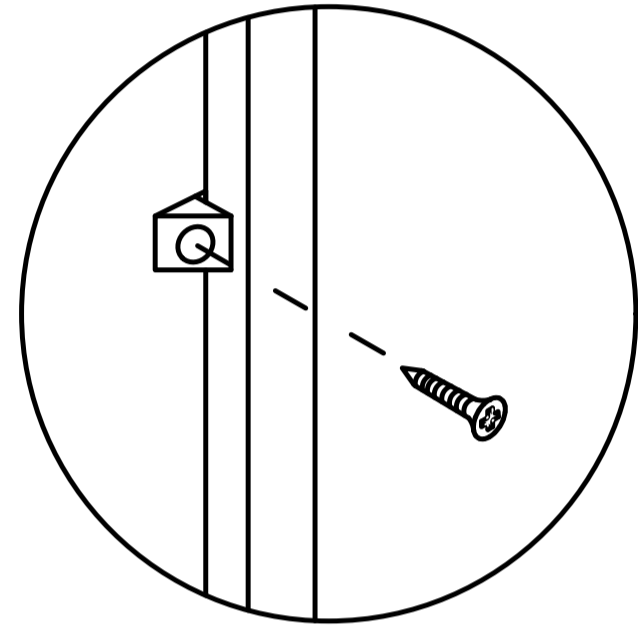
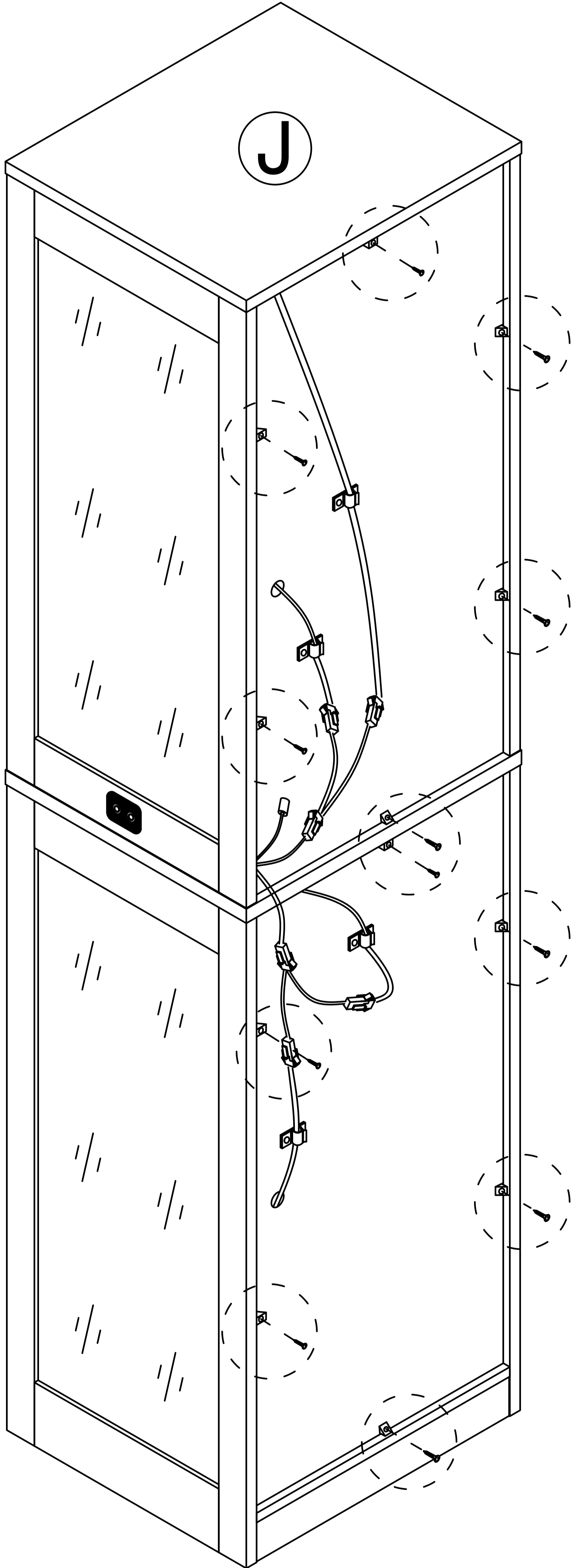


x4

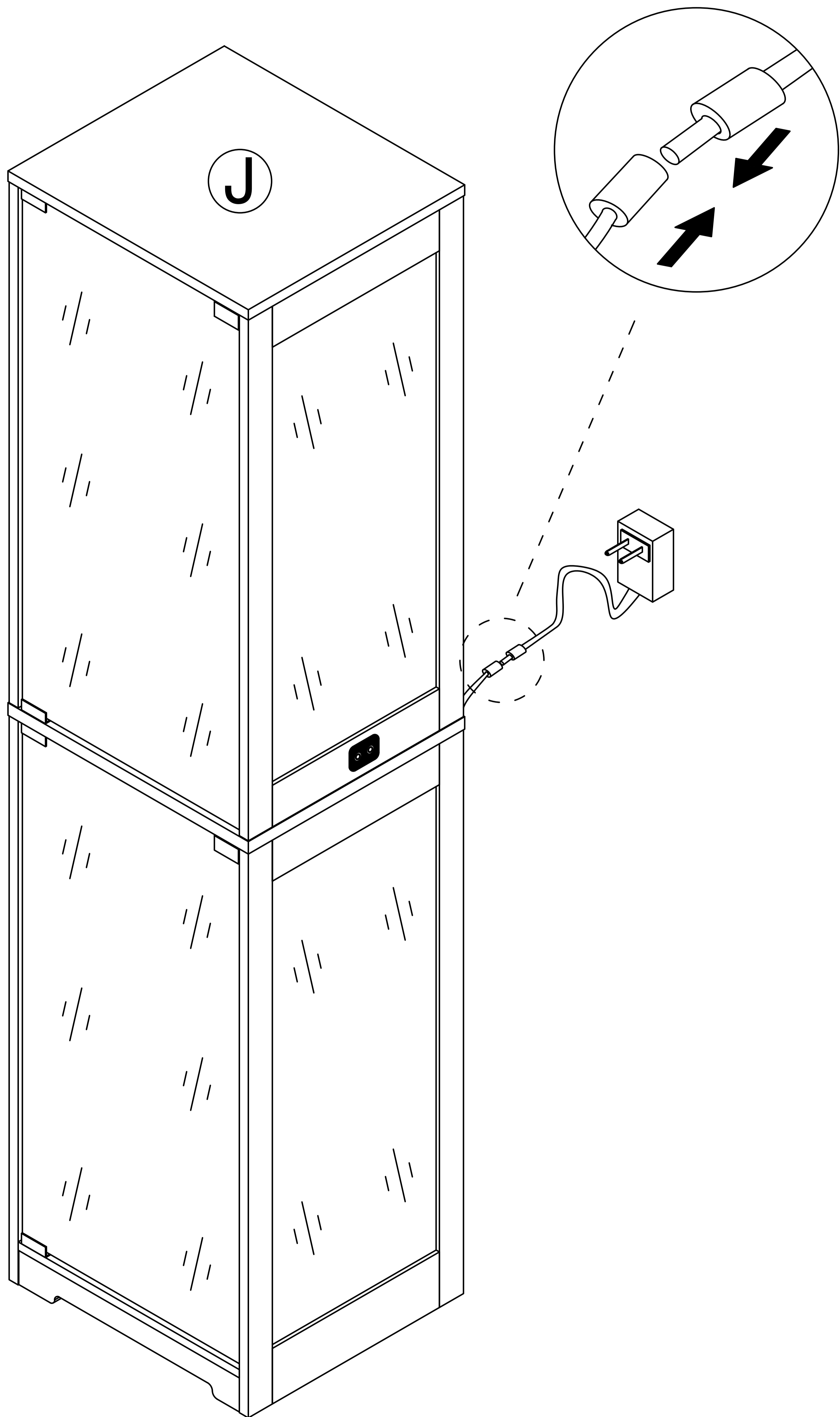


Step 28

4  x12



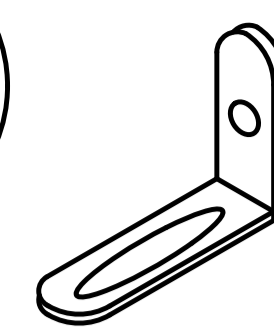
Step 29



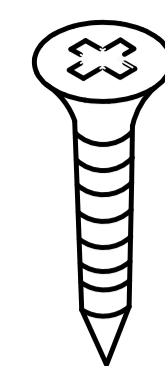
Step 30

Install as required

8



x2

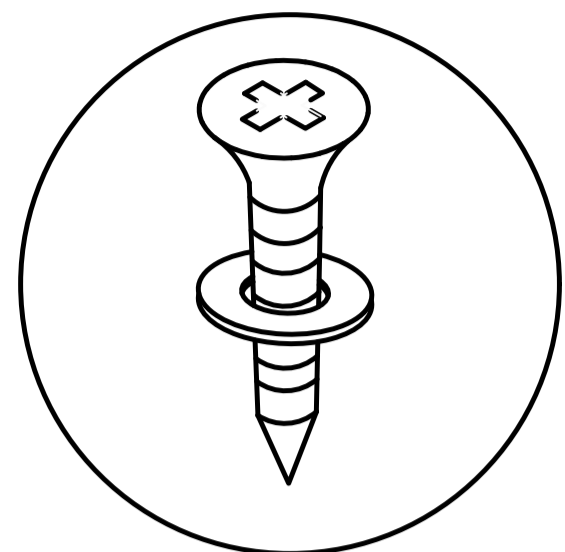


x2

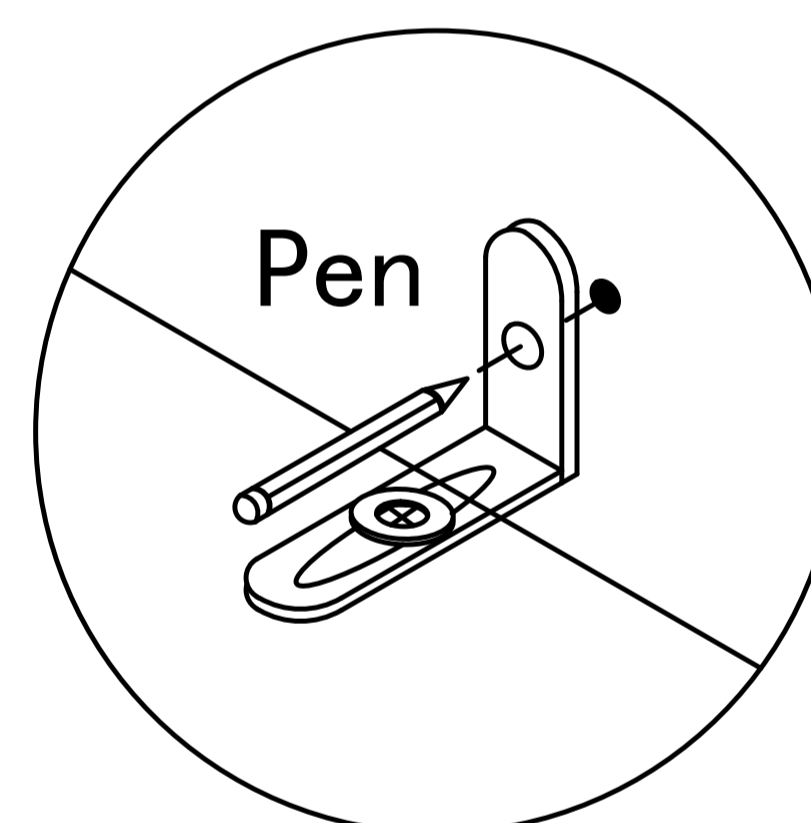
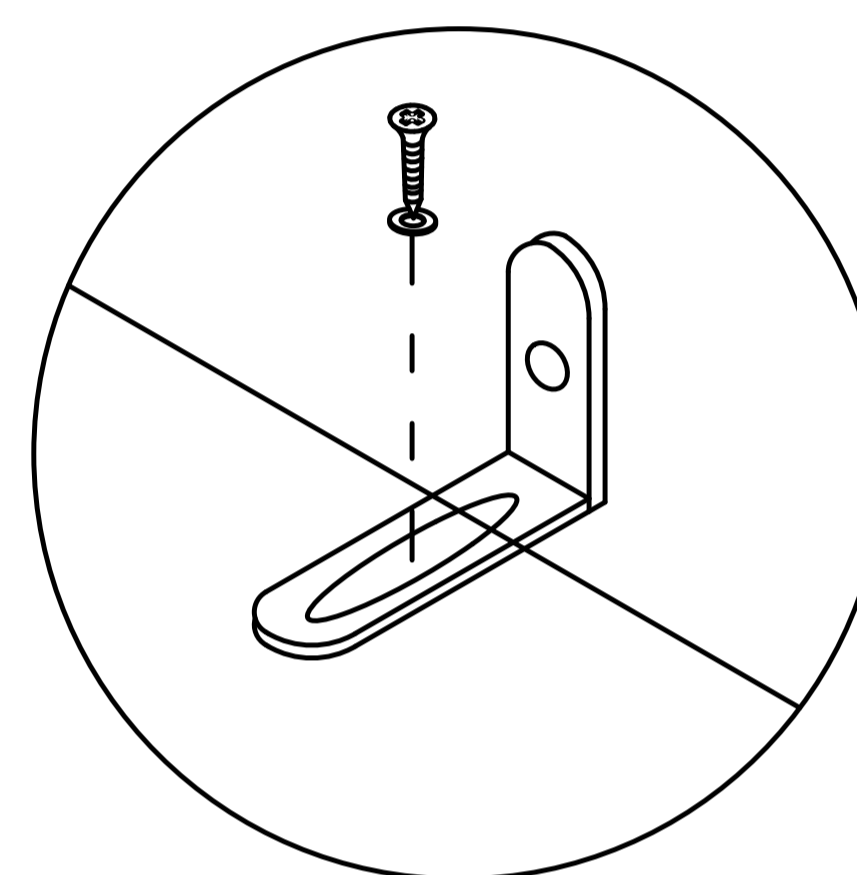
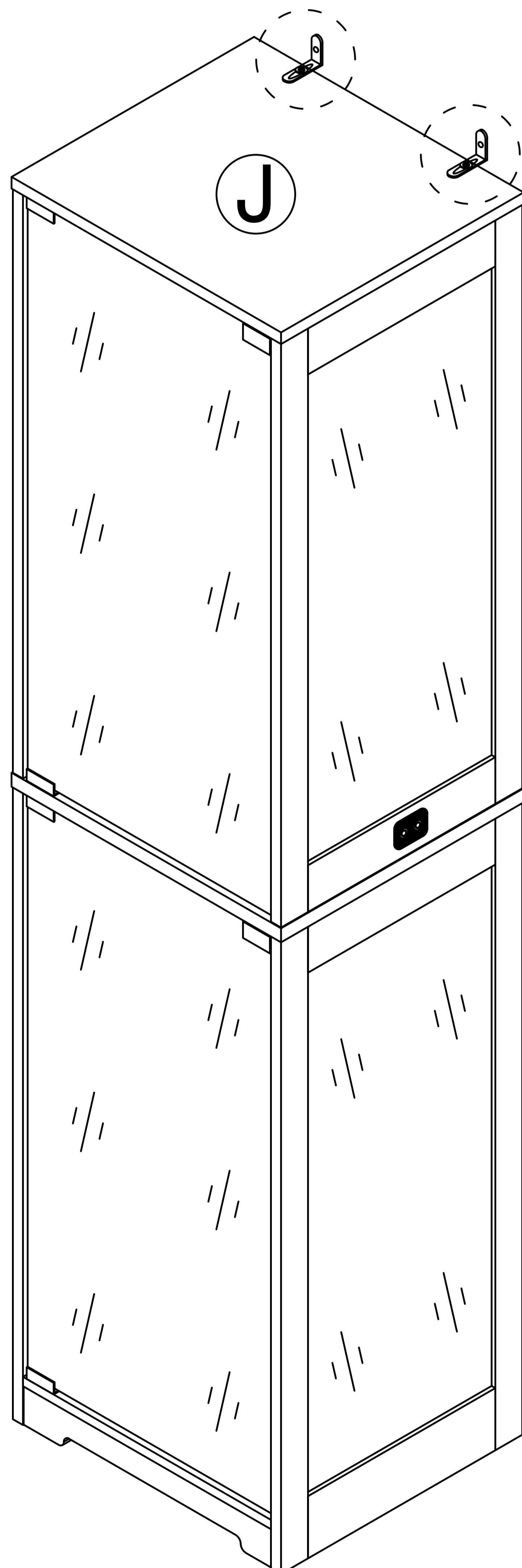


x2

3.5x14mm

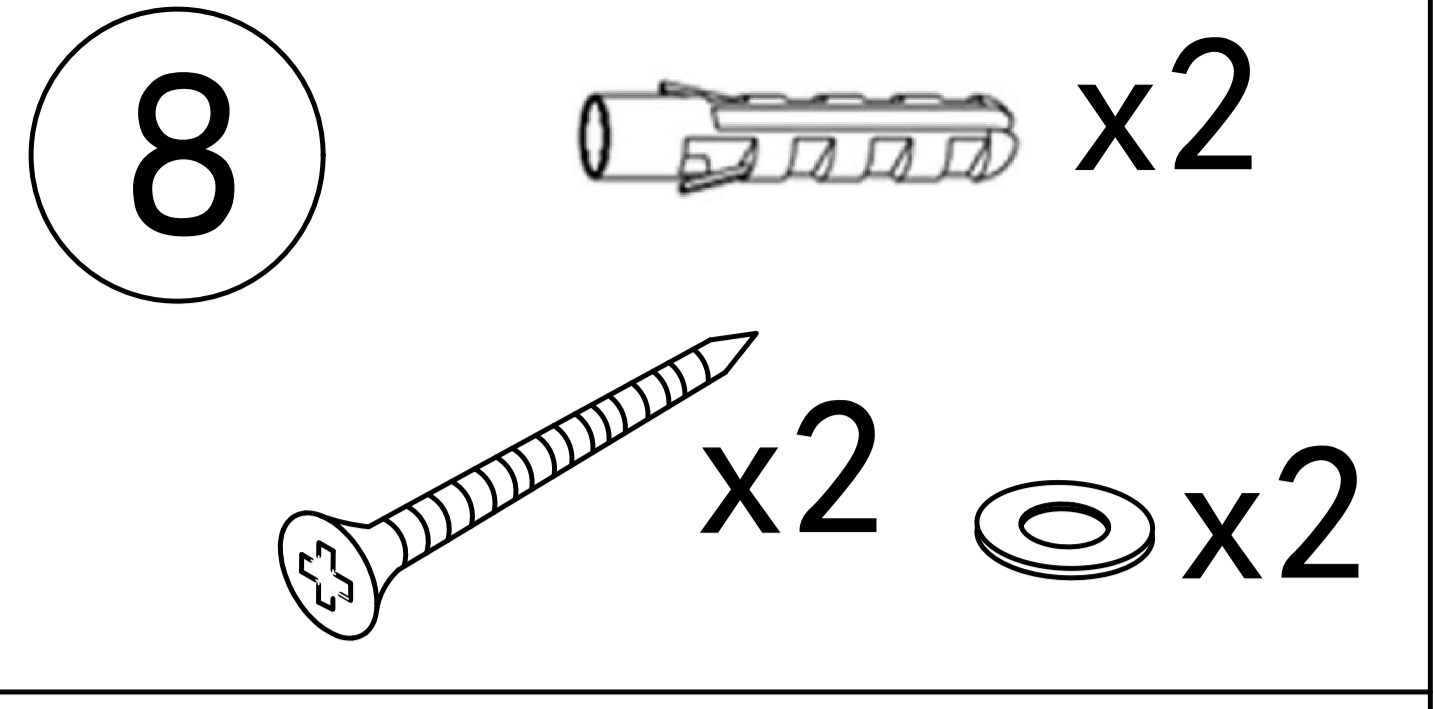
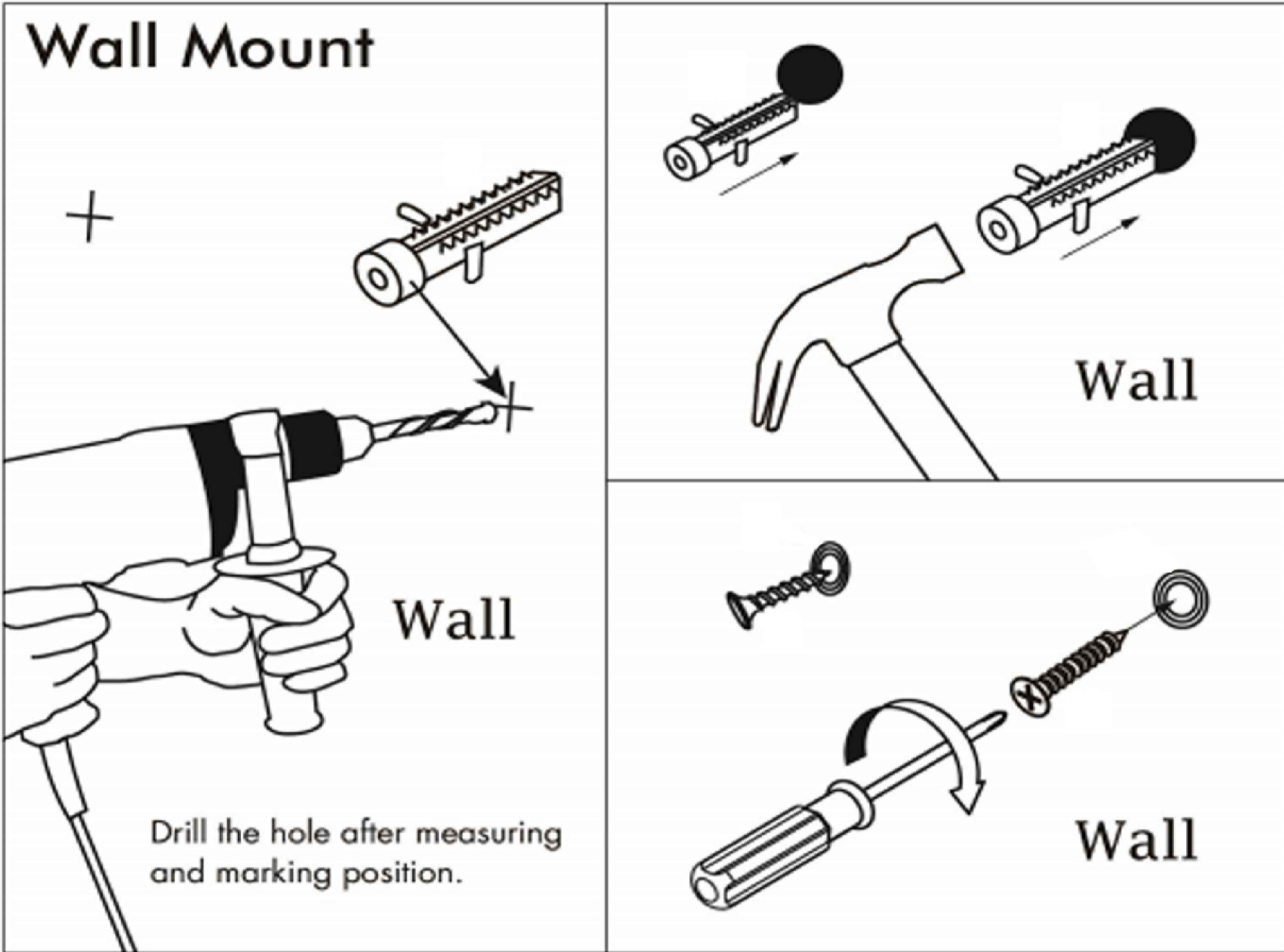


Install the anti fall hardware on the cabinet as shown in the picture first

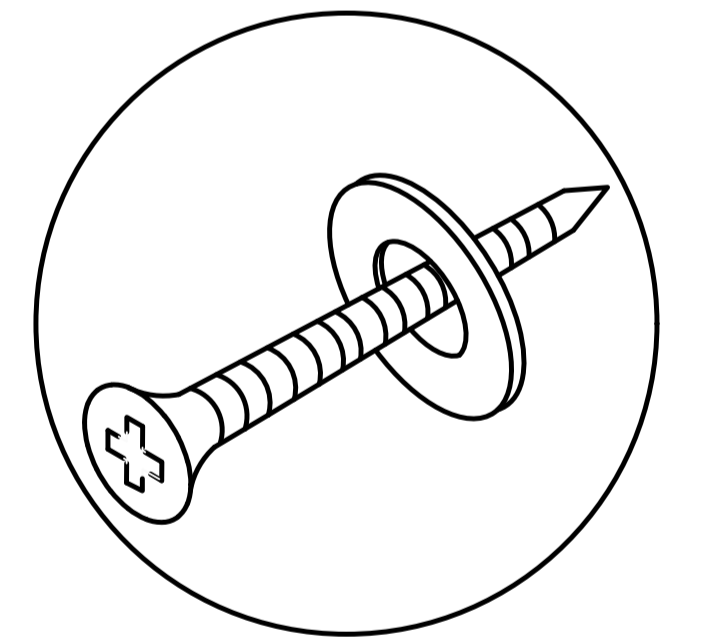
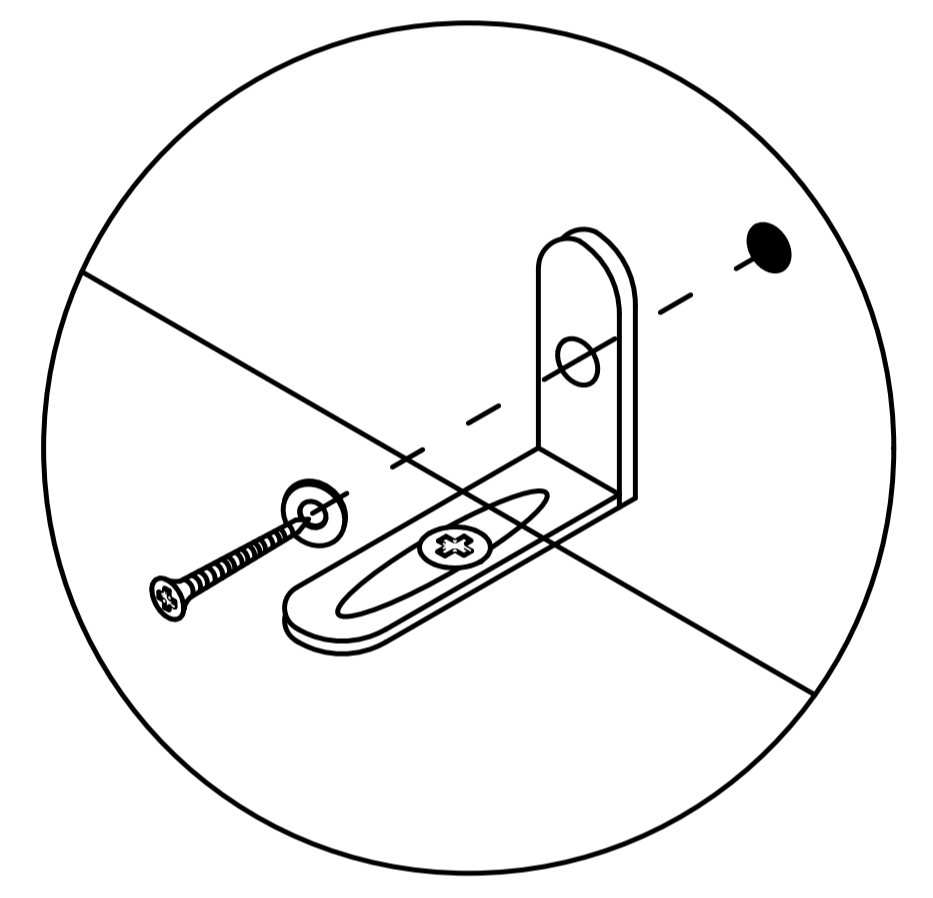
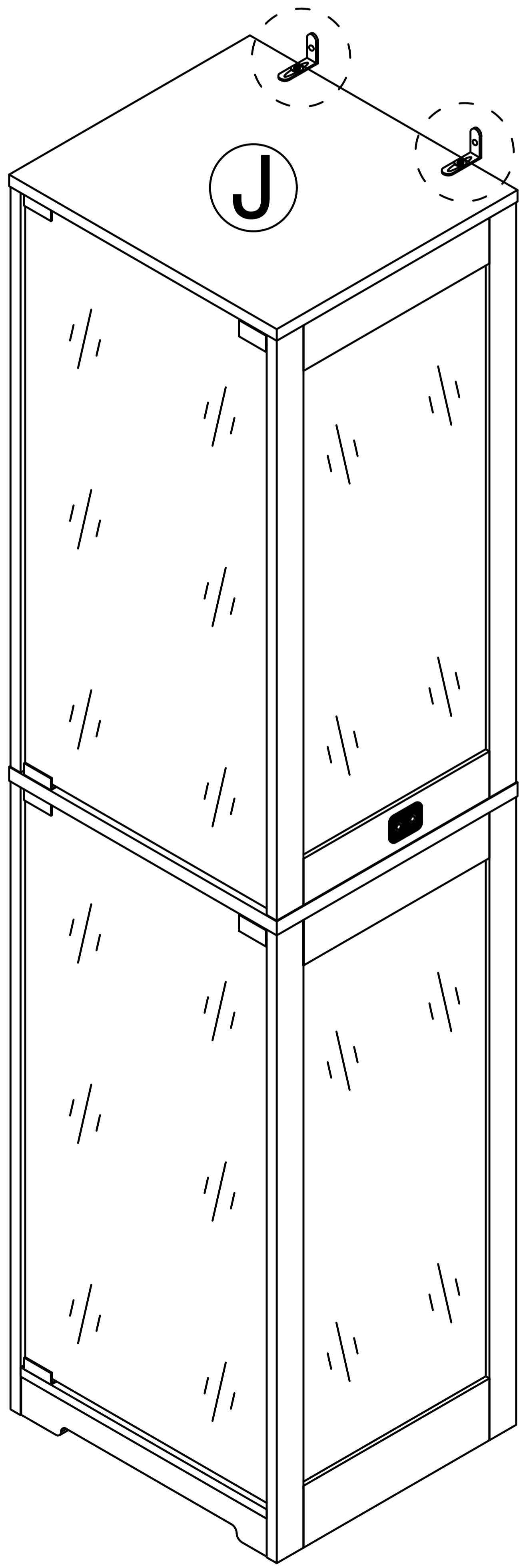


Then mark the wall with a pen through the holes in the anti-fall hardware

Step 31



Drill the hole with an electric drill and punch in the colloidal particles



4x45mm

Fix the dressing table to the wall

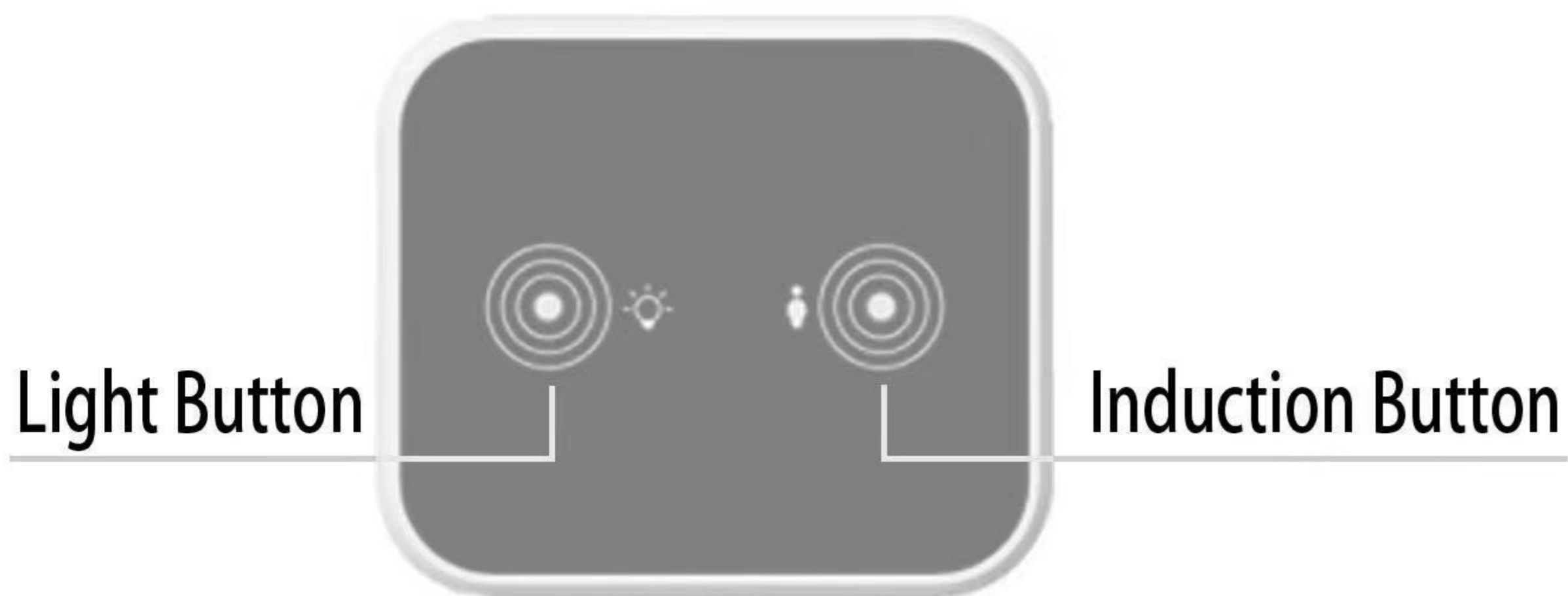
User's Guide

Thank you for purchasing this product. To use this product, please plug it into a 12V DC power supply. Please use if the product works normally after connecting to power.

Introduction

The box is an intelligent controller with 2 touch buttons. It can turn ON/OFF the light, change light colors, and adjust the light luminance.

Product Show



ATTENTION PLEASE

1. If there is no touch response suddenly, Re-plug the power to reset the touch static electricity.
2. If bubbles appear on the panel, remove the protective film.

Operation



This touch button is used to turn on/off, change colors, and adjust brightness.

A. Short touch -> lighting on -> short touch -> change light color -> short touch -> change light color -> short touch -> lighting off. B. Long touch -> adjust the luminance



This touch button is used to turn on/off the induction function.

A. Short touch to turn on the induction function. It can auto-turn on the light when people are close to the controller in 1 meters. It can auto power off the light when the body is far away from the controller after 30 seconds.

B. Long touch to turn off the induction function.

C. Note: When you touch the light button to change the light modes, the induction function will automatically turn off. It is best to turn on this function after selecting the light color and adjusting the brightness you want.