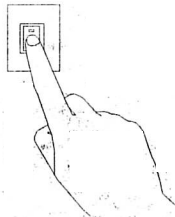


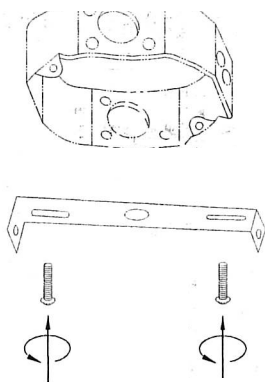
Installation Instruction

1



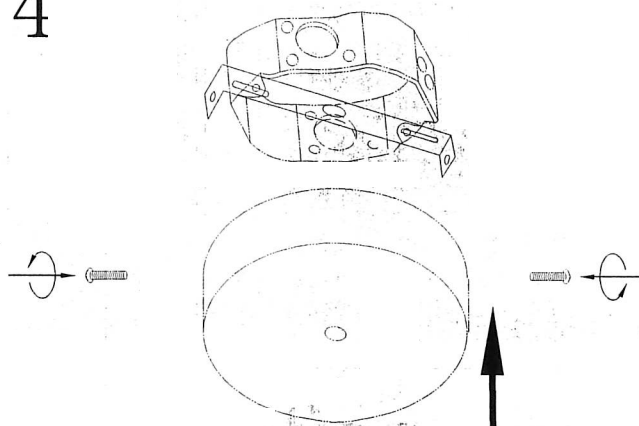
turn off the power.

2



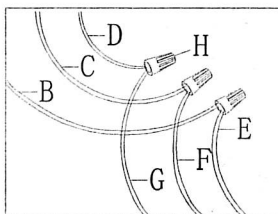
install mounting bracket

4



rise and install canopy to Mounting bracket

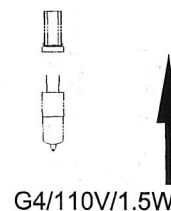
3



Wire connection

- B-Black wire(L) from junction box
- C-White wire(N) from junction box
- D-Green wire or bare copper from junction box
- E-Black wire(L) from fixture
- F-White wire(N) from fixture
- G-Green wire or bare copper from fixture
- H-wire connector x 3

Conect wires



G4/110V/1.5W

install bulbs



Maintenance

1. Voltage/Frequency: 100-120V 60Hz. G4 MAX 40W
2. Please wear gloves to install.
3. Don't install it on the moist floor.
4. Turn off the power before cleanout.
5. Please wash with the sanitizer without corrosivity.
6. Please install according to the installation manual.

Precautions

Keep the lighting away from acidic chemical solvent, Or the galvanized surface of the lighting will be damaged.

Installation Manual

Please see the installing sketch map and install the parts in the right order.