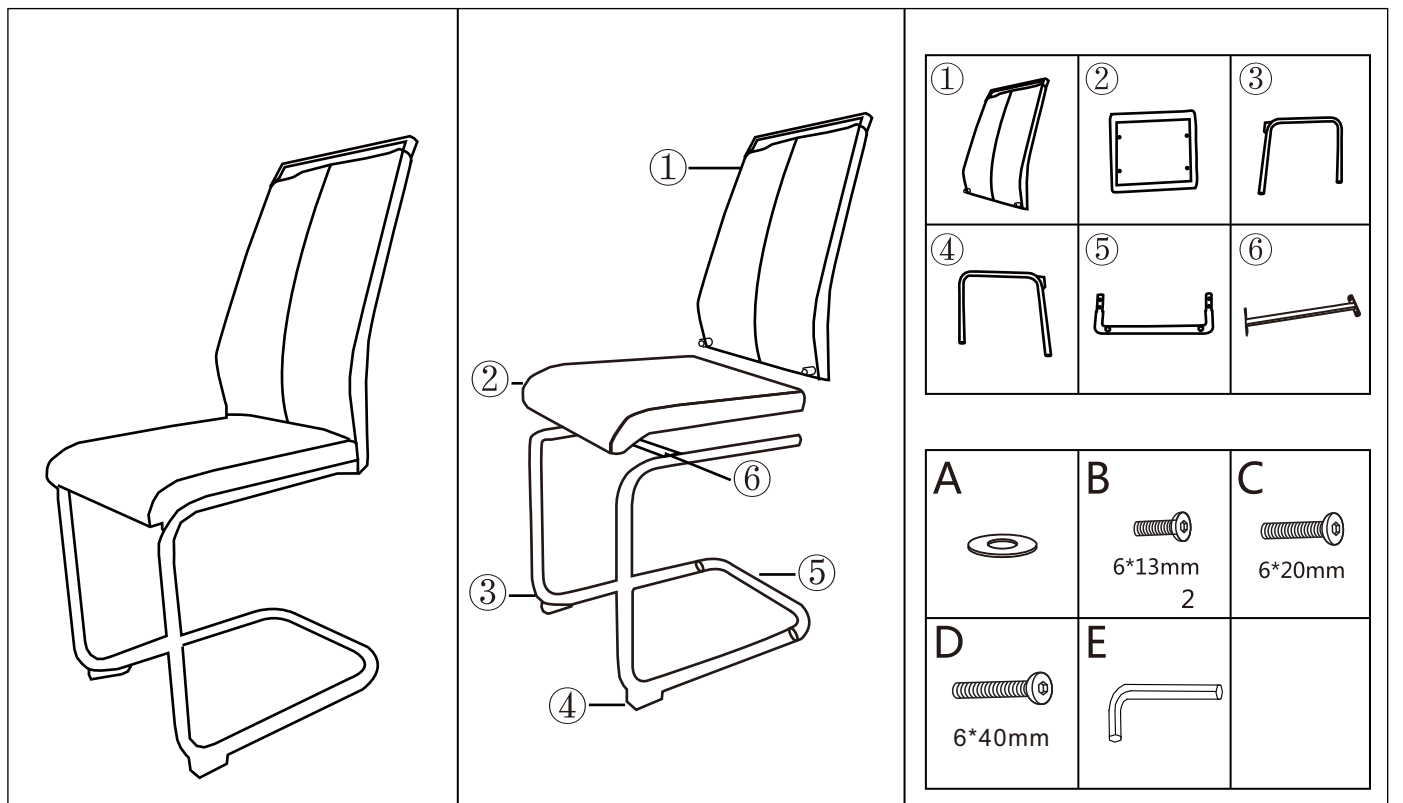


ASSEMBLY INSTRUCTIONS



STEP 1 ③ and ④ are connected to ⑤ respectively, ⑥ is connected to ③ and ④, B is inserted into the corresponding hole and fastened with E.

Bx8
Ex1

STEP 2 Connect ① to ③ and ④ respectively, insert B into the corresponding hole and tighten with E.

Bx4
Ex1

STEP 3 Connect ② to ③ and ④ respectively, fit C, A and D, A to the corresponding holes in turn and tighten C and D with E.

Ax4
Cx2
Dx2
Ex1

STEP 4 Installation complete