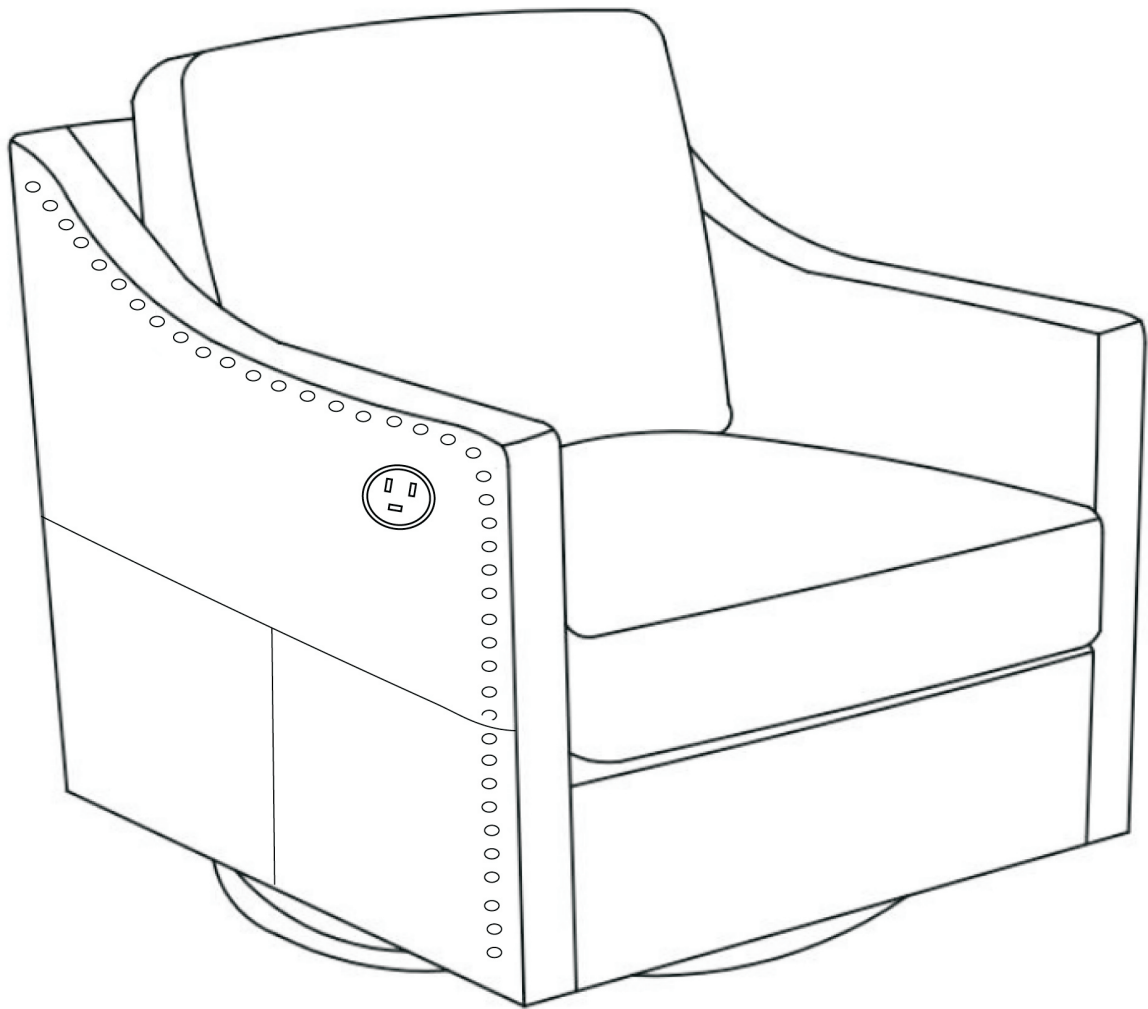
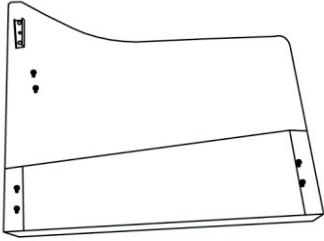


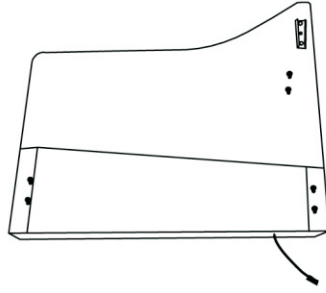
# INSTALLATION GUIDE



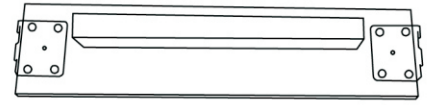
**A\*1**



**B\*1**



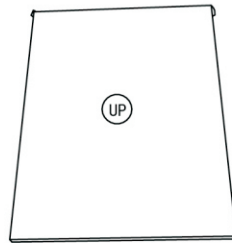
**C\*1**



**D\*1**



**E\*1**



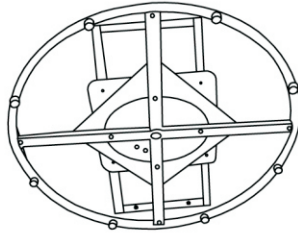
**F\*1**



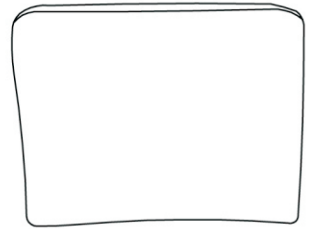
**G\*1**



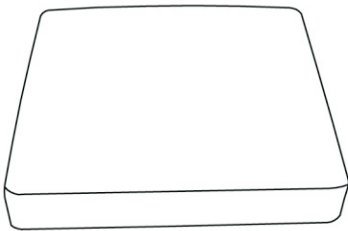
**H\*1**



**I\*1**



**J\*1**



**K\*4**



**L\*4**



M8\*40

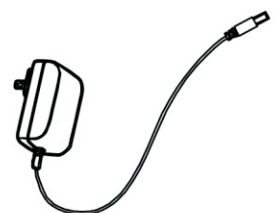
**M\*1**



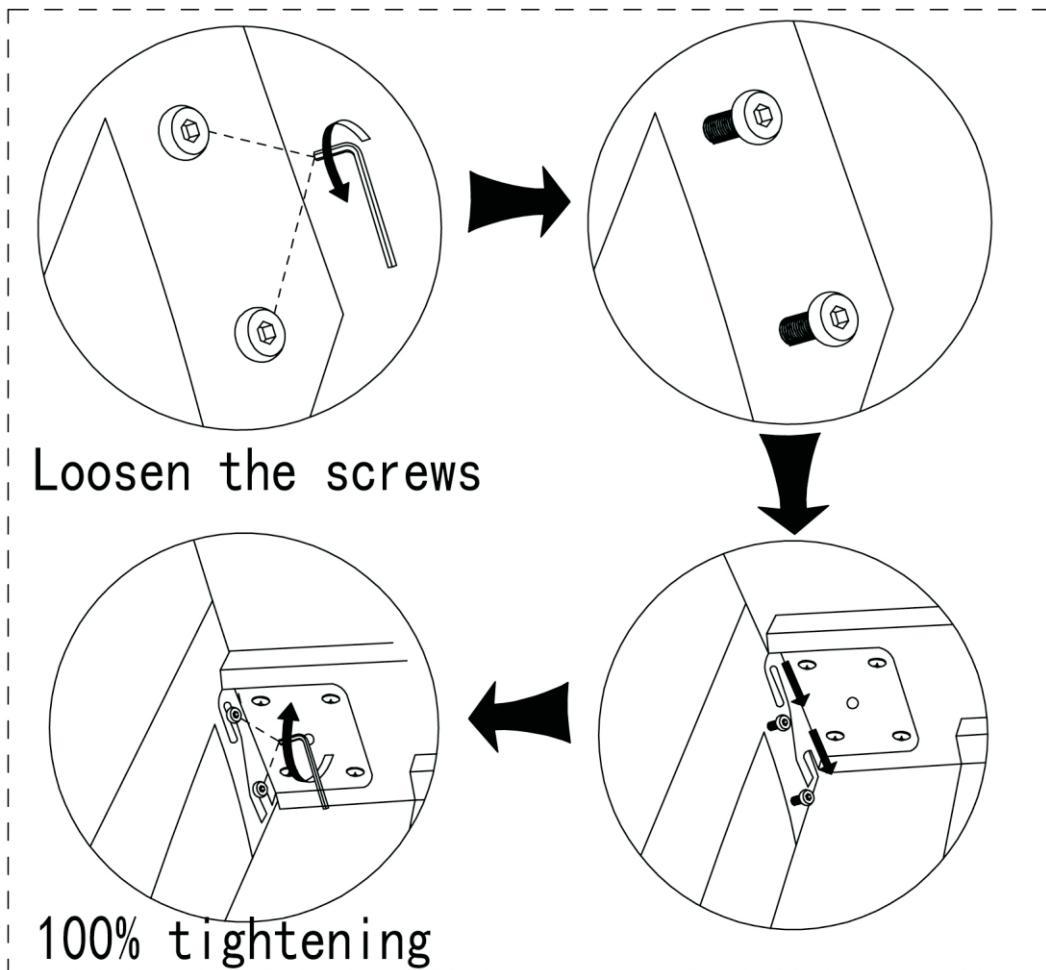
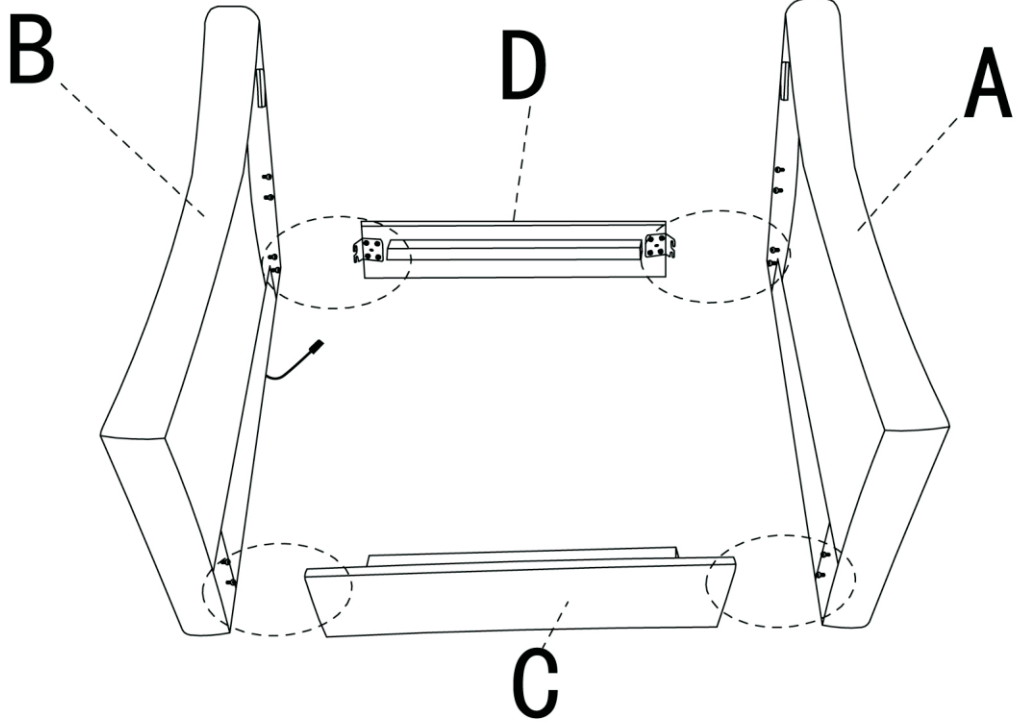
**N\*4**



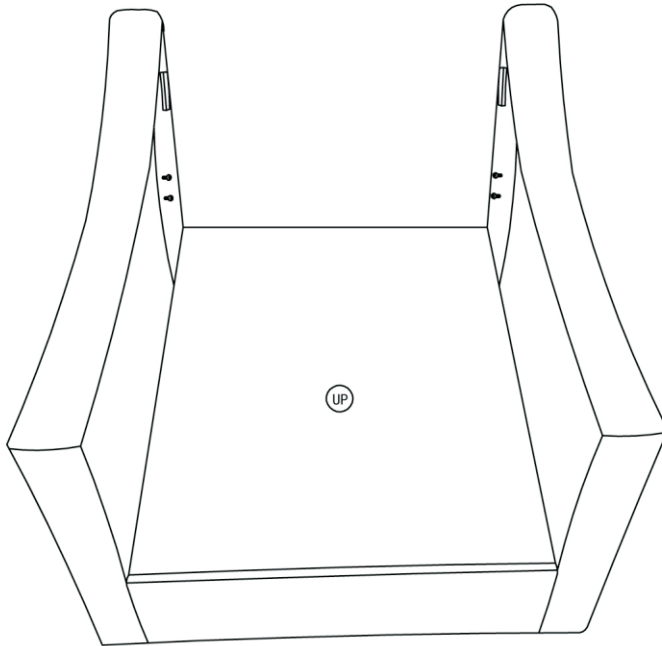
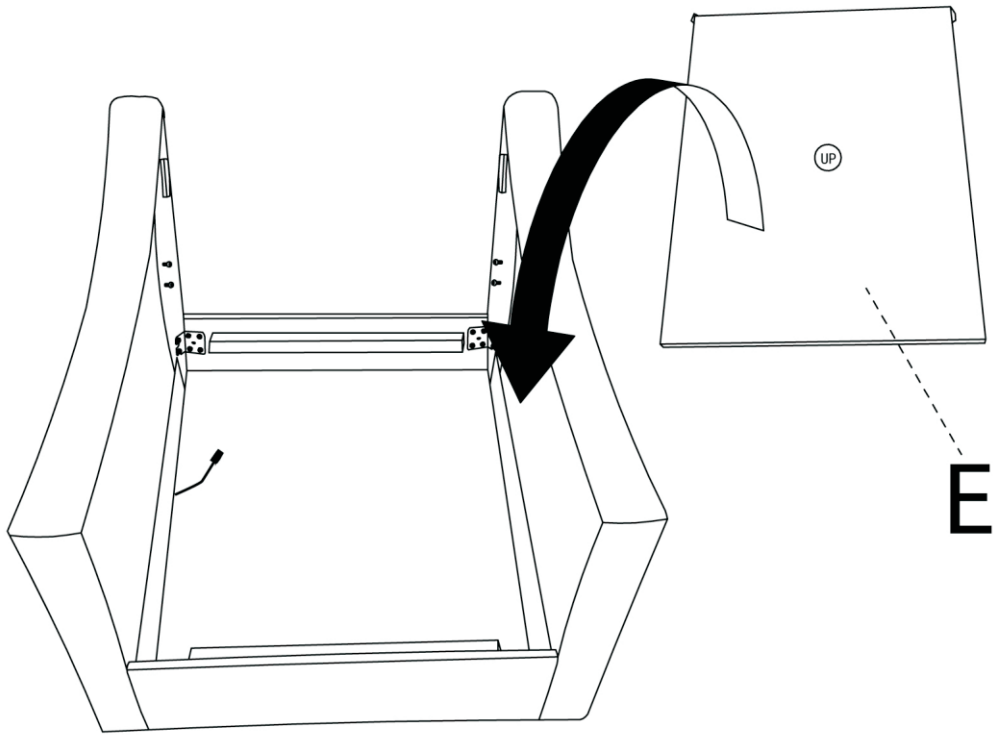
**P\*1**



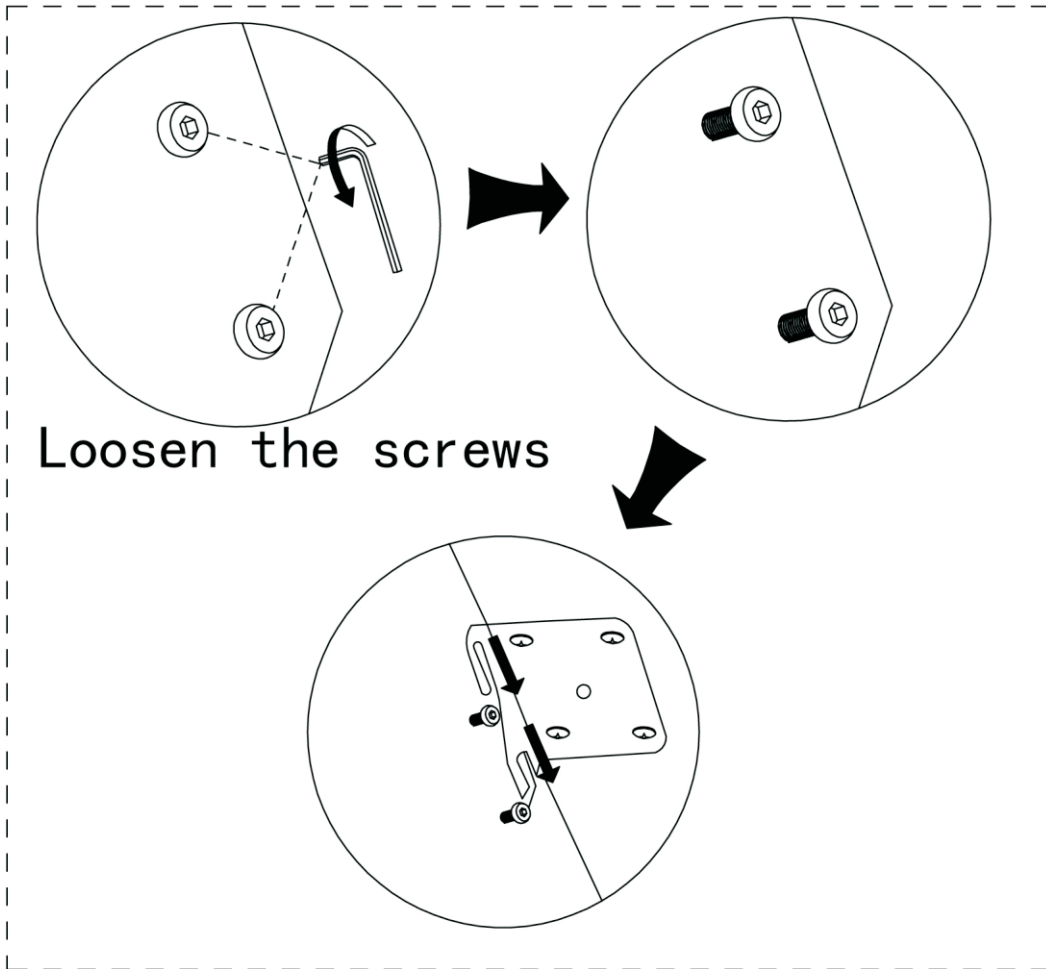
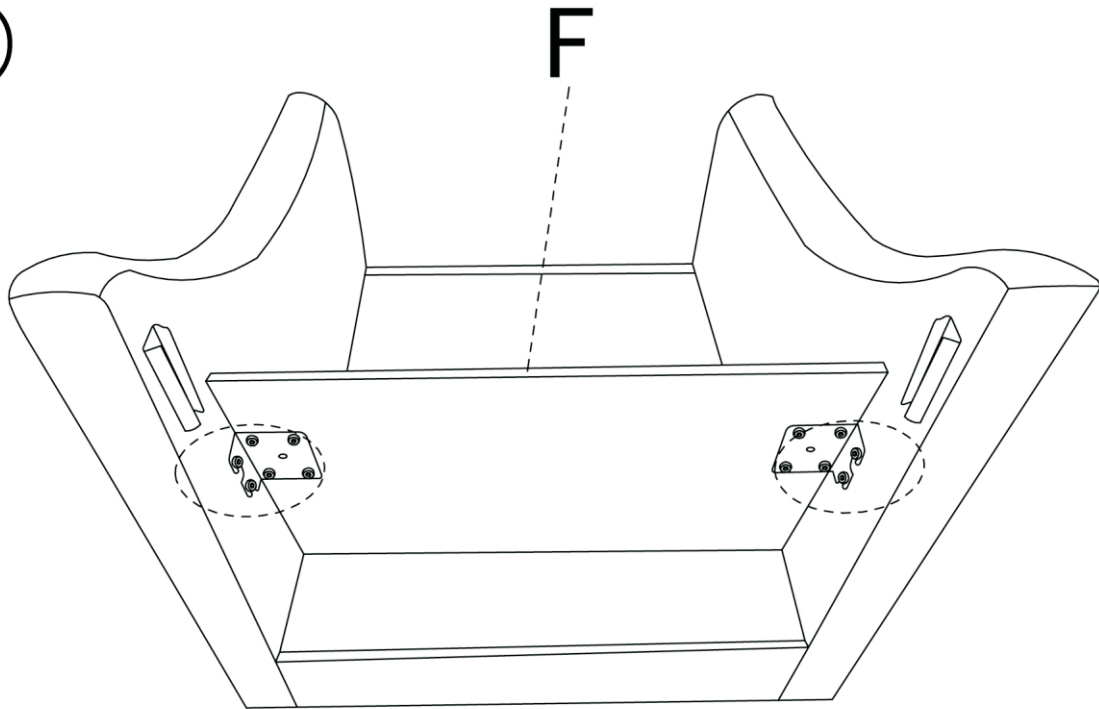
①



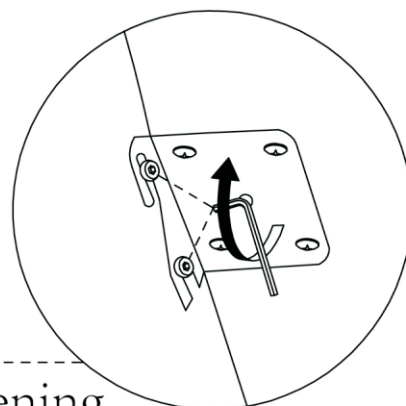
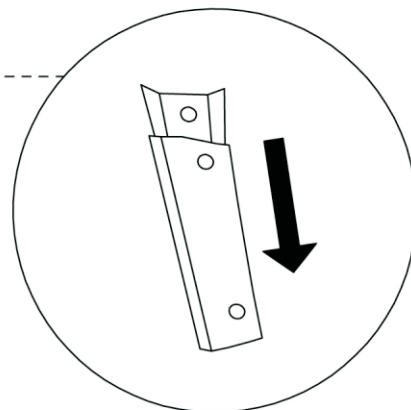
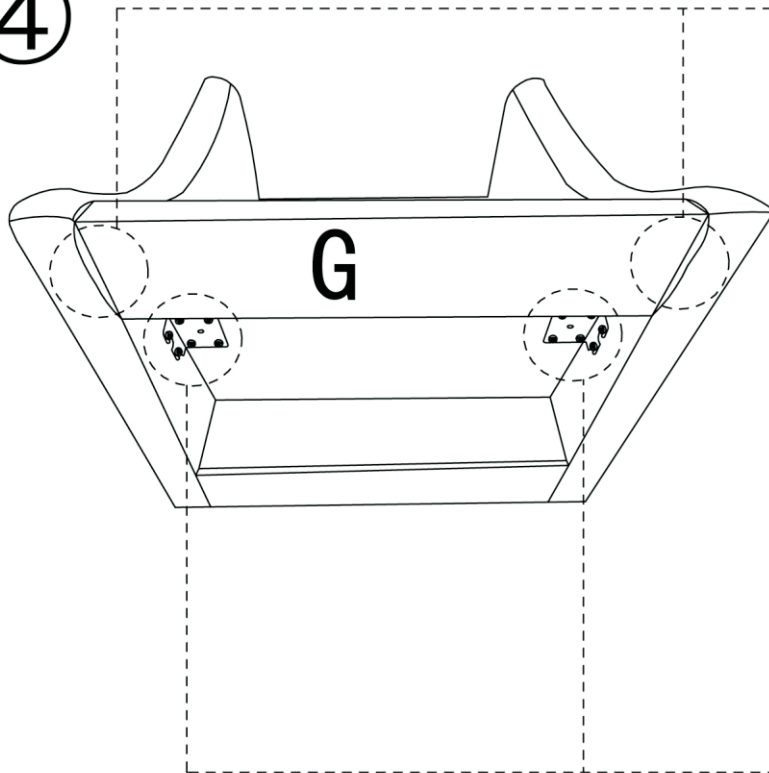
②



③

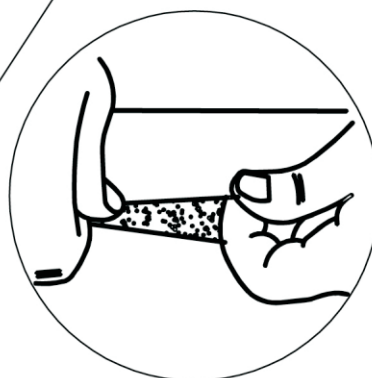
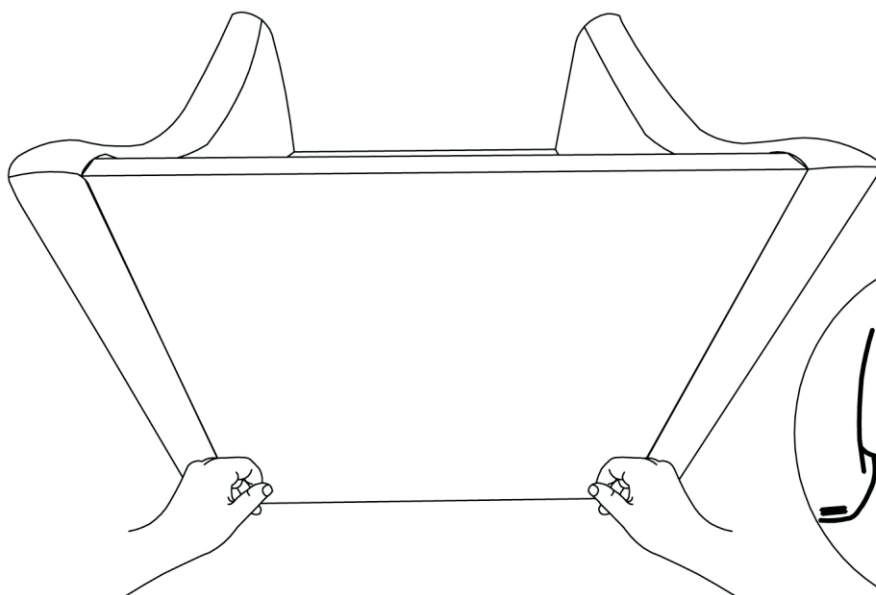


④



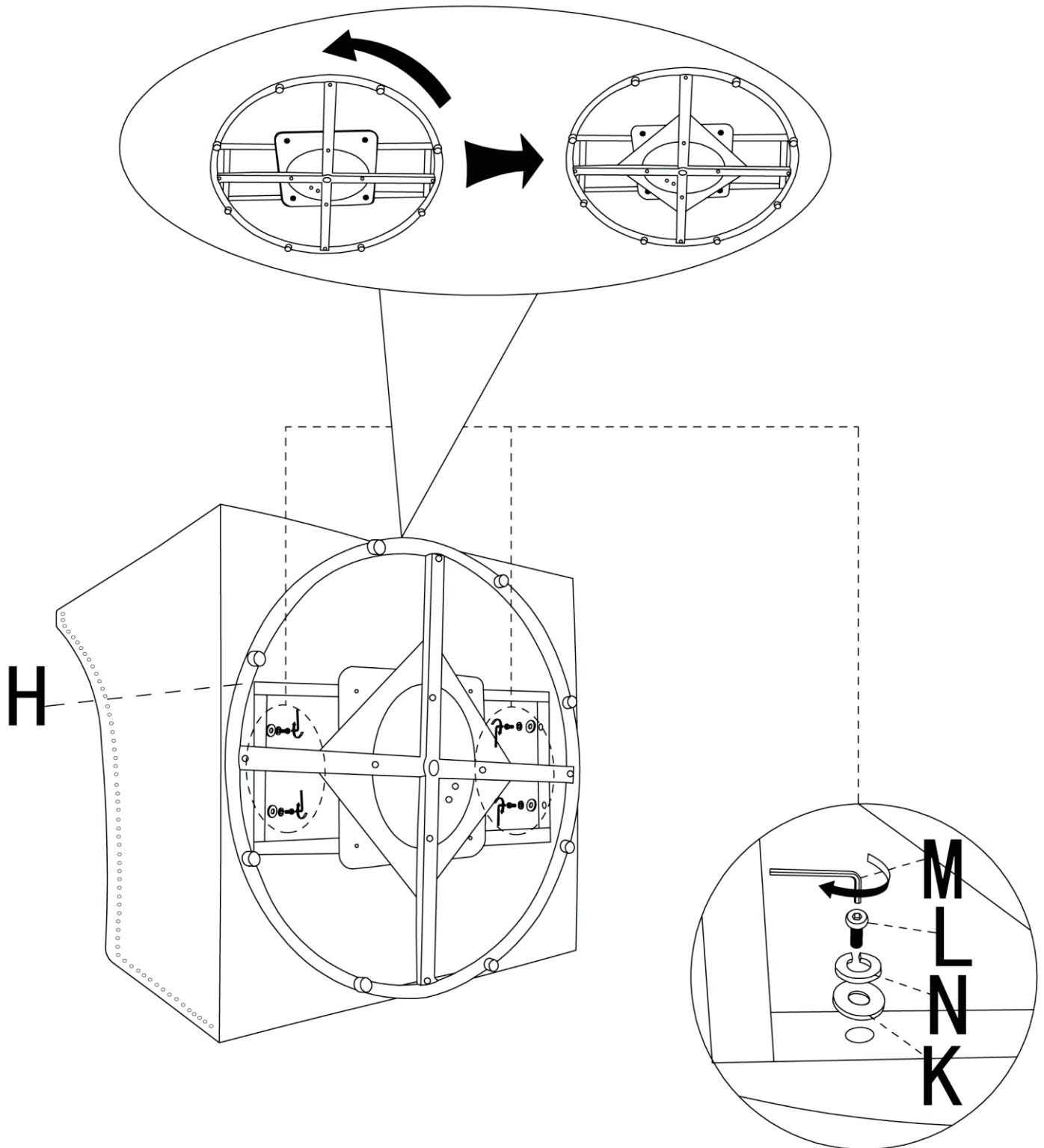
100% tightening

⑤

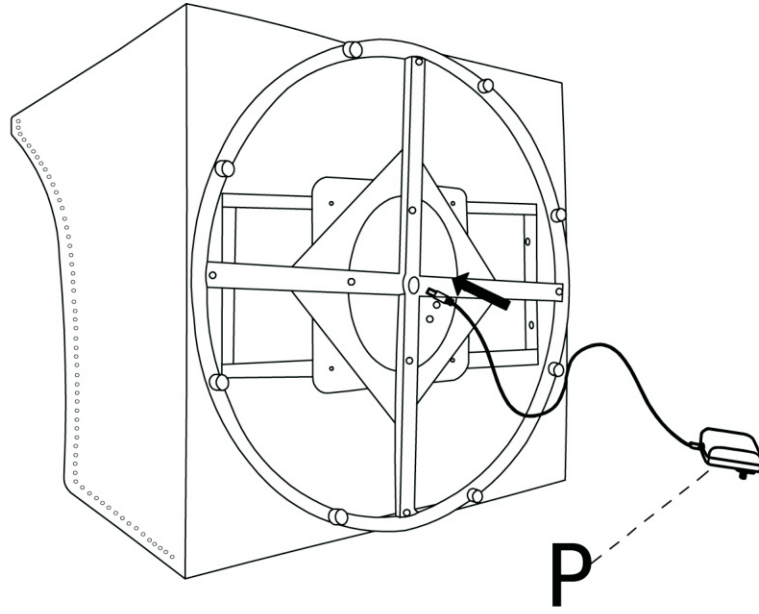
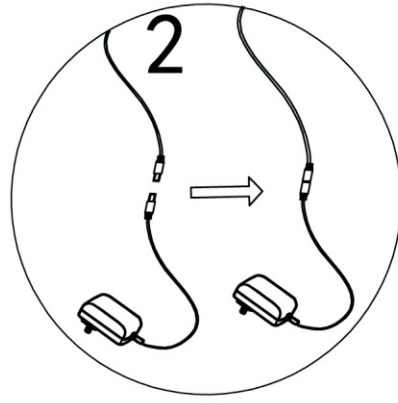
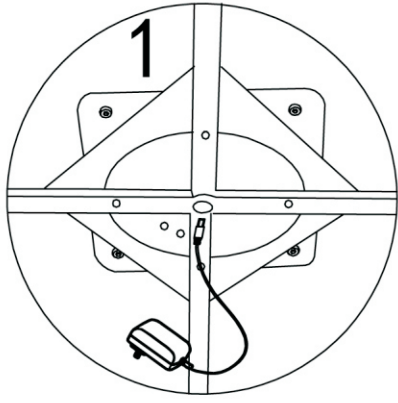


6

The base can rotate 360 degree.



7



8

