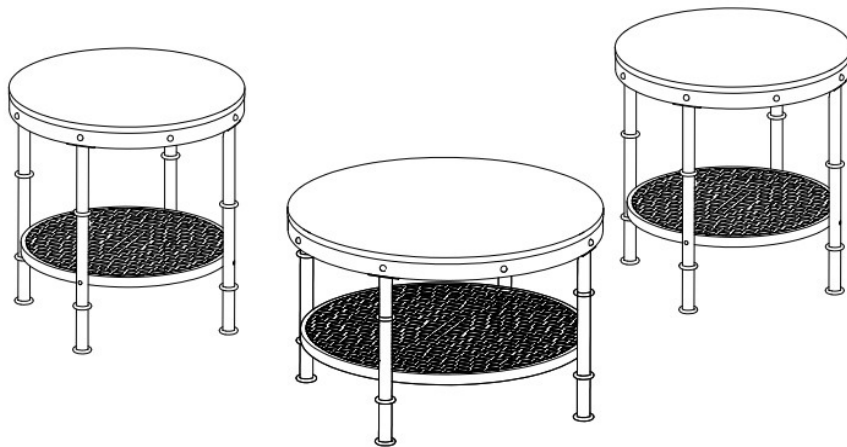


ASSEMBLY INSTRUCTIONS



3 PC TABLE SET

ASSEMBLY INSTRUCTIONS

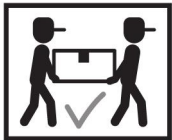
ASSEMBLY TIPS:

1. Remove hardware from box and sort by size.
2. Please check to see that all hardware and parts are present prior to start of assembly.
3. Please follow attached instructions in the same sequence as numbered to assure fast & easy assembly.



WARNING!

1. Don't attempt to repair or modify parts that are broken or defective. Please contact the store immediately.
2. This product is for home use only and not intended for commercial establishments.


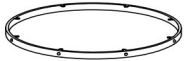










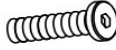





ASSEMBLY TIME

30 MINUTES

PARTS IDENTIFICATION

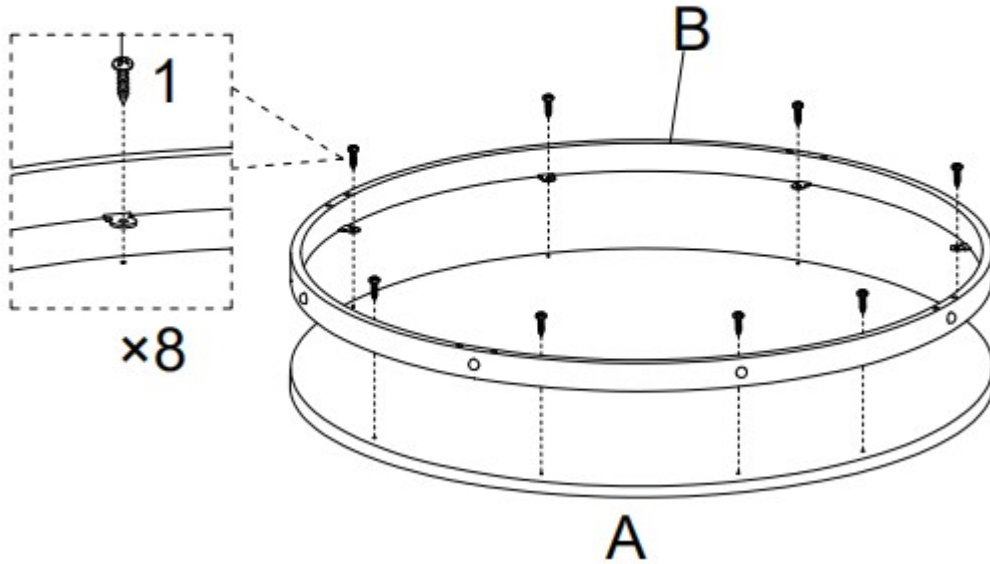
HARDWARE IDENTIFICATION

A	COFFEE TABLE TOP		1PC
B	COFFEE TABLE UPPER SUPPORT RING		1PC
C	COFFEE TABLE BOTTOM MESH SHELF		1PC
D	COFFEE TABLE LEG		4PCS
E	END TABLE TOP		2PCS
F	END TABLE UPPER RING		2PCS
G	END TABLE BOTTOM MESH SHELF		2PCS
H	END TABLE LEG		8PCS

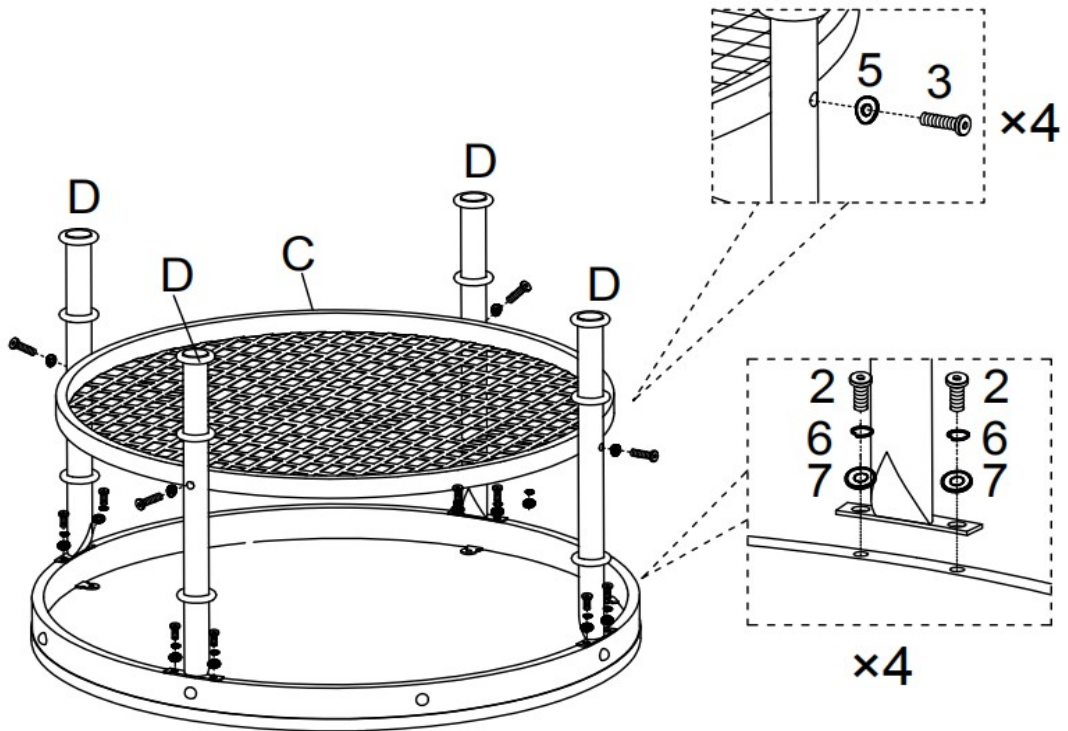
1	SCREW		16PCS
	M4x14mm		
2	SHORT BOLT		24PCS
	M6x12mm		
3	LONG BOLT		12PCS
	M4x35mm		
4	ALLEN KEY		1PC
5	WASHER		12PCS
6	SPRING WASHER		12PCS
7	WASHER		12PCS
8	ALLEN KEY		1PC

ASSEMBLY INSTRUCTIONS

STEP 1

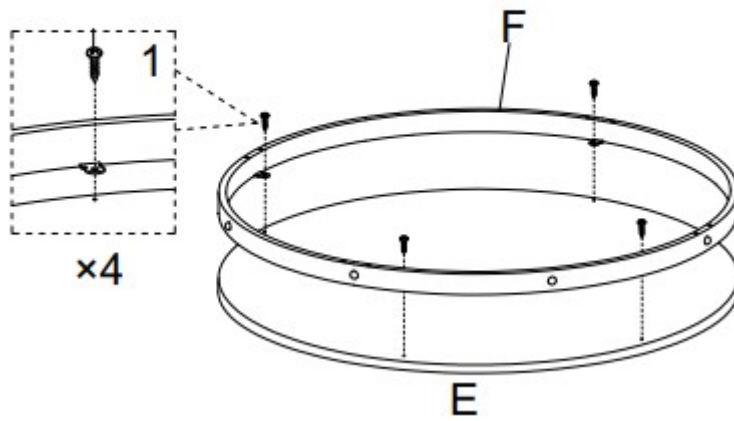


STEP 2

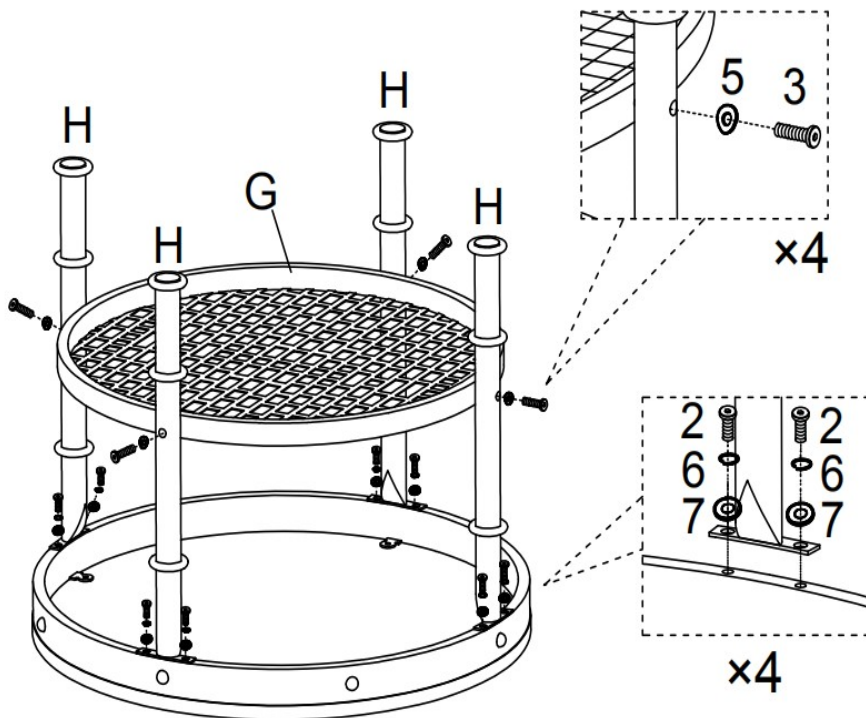


ASSEMBLY INSTRUCTIONS

STEP 1



STEP 2



ASSEMBLY INSTRUCTIONS

