

15 : 00

estimated assembly



2 or more

people required

Ok, let's
get started!



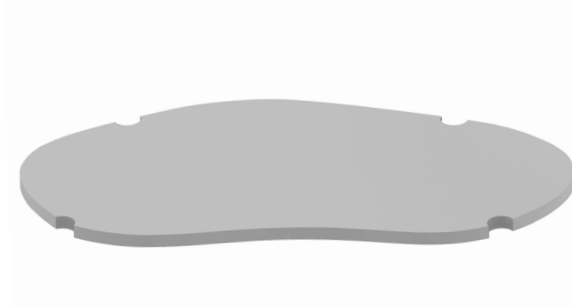
- Put on mood music!
- To prevent damage to product, use the clean side of package carton or rug as working surface.
- In the event of missing or damaged parts, delivery problems etc., please reach out to our team.
We will be happy to fix the problem!

care guide

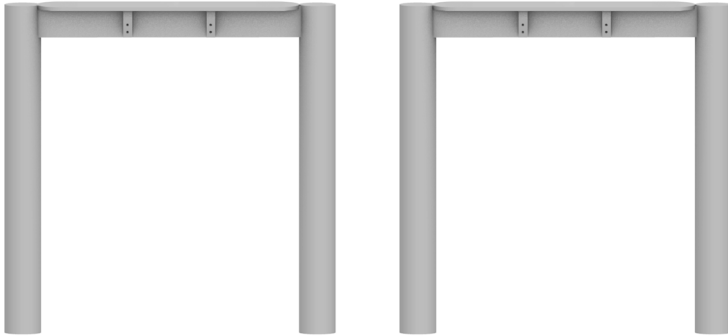
- Clean regularly with a soft and dry cloth.
- To protect finish, avoid use of abrasive cleaners.
- Wipe up spills immediately. Please!



product parts



(A)
Table Top
x1



(B)
Table legs
x2

what's included



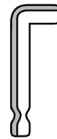
(C)- L Key Bolt
(8 x 30mm)
x12



(D)- Plain Washer
(8 x 16mm)
x12



(E)- Lock Washer
(8 x 16mm)
x12



(F)- Allen Key
(5mm)
x1

OS

Orange sticker

GS

Green sticker

assembly instructions

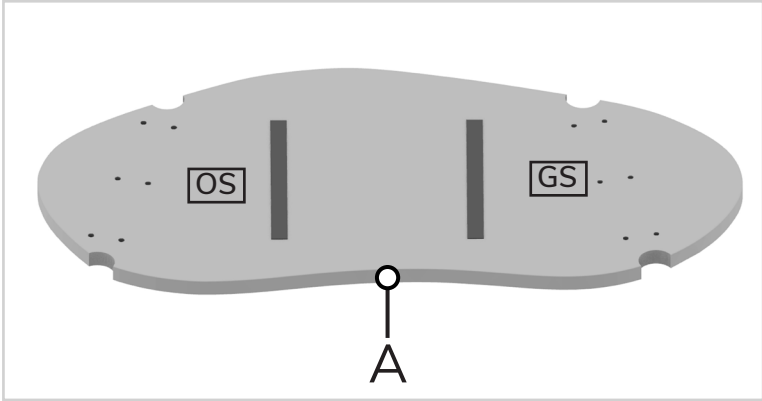
Friendly Tip: Take a deep breath going in. This may be a tricky part, but nothing too overwhelming. Just follow these steps to the T and the outcome will be worth it!



- ⓘ While assembling the product, tighten the bolts up to 50%. Once all parts are in place, only then fully tighten the bolts.

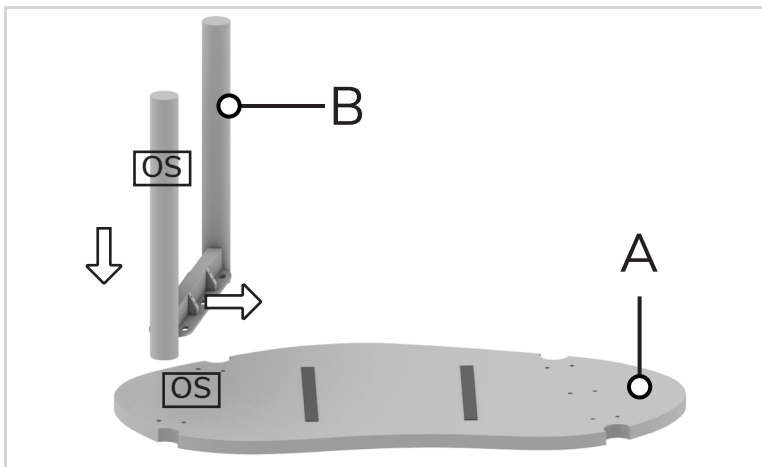
step 1:

Start by placing the table top (A) upside down on a flat surface.



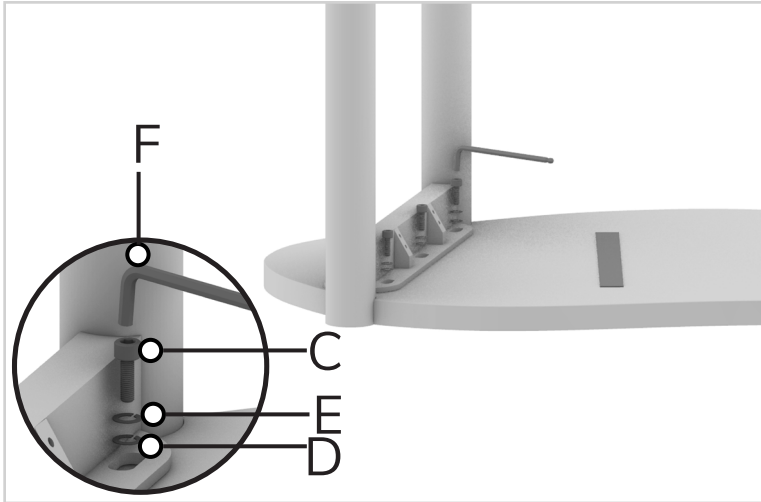
step 2:

Then, using the image below as a reference, align the leg (B) with the slots given on the tabletop. Ensure the stickers on the legs & table top are similar, and the marked arrow on the legs are facing inwards.



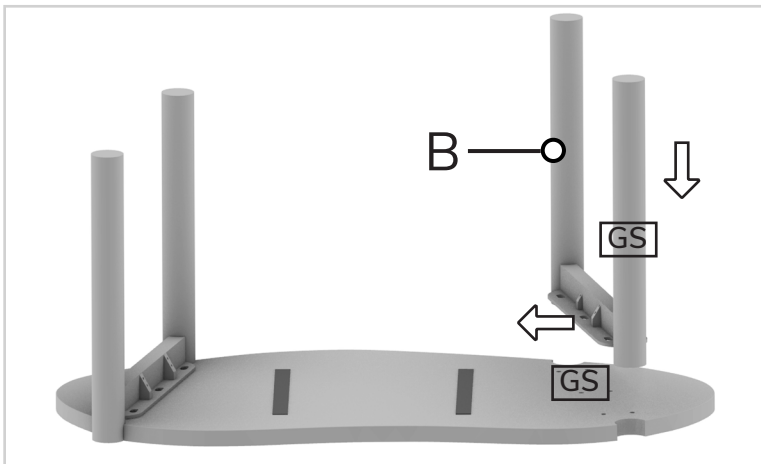
step 3:

Now, fix the leg to the table top by inserting plain washer (D), lock washer (E), and bolts (C) in the given slots. Tighten the bolt using allen key (F).



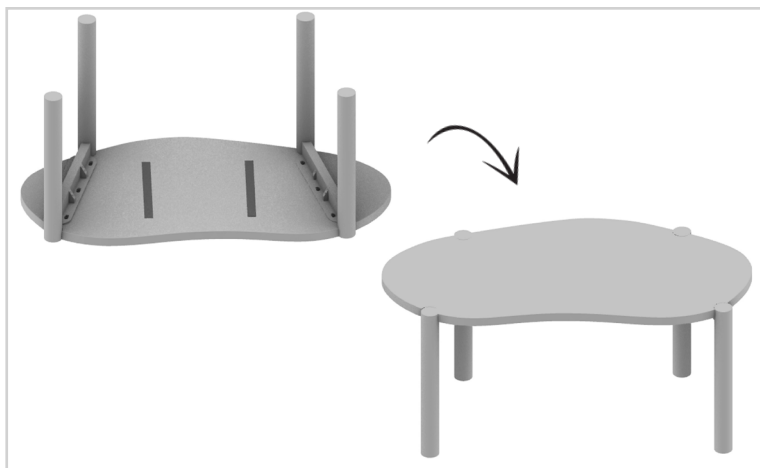
step 4:

Repeat the same process with the remaining leg (B).



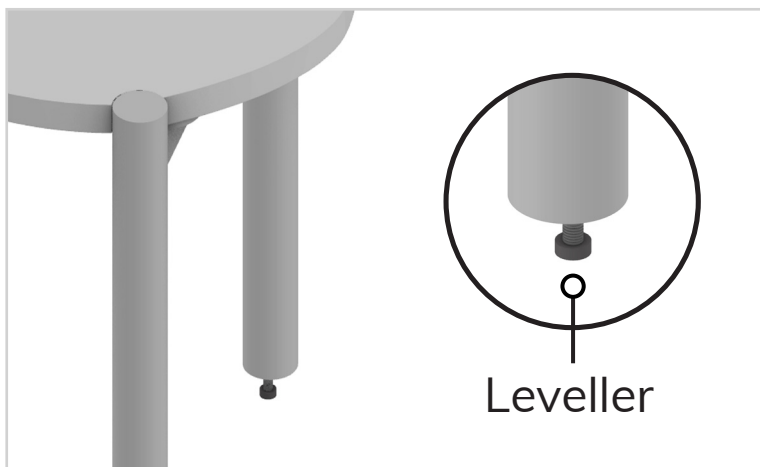
step 5:

When done, turn it into an upright position.



step 6:

If required, adjust the levellers according to the floor as shown in the image.



Voila! Your Table is now assembled and secure!