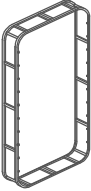









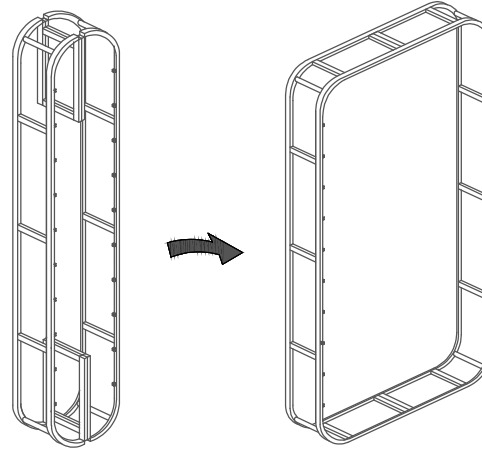


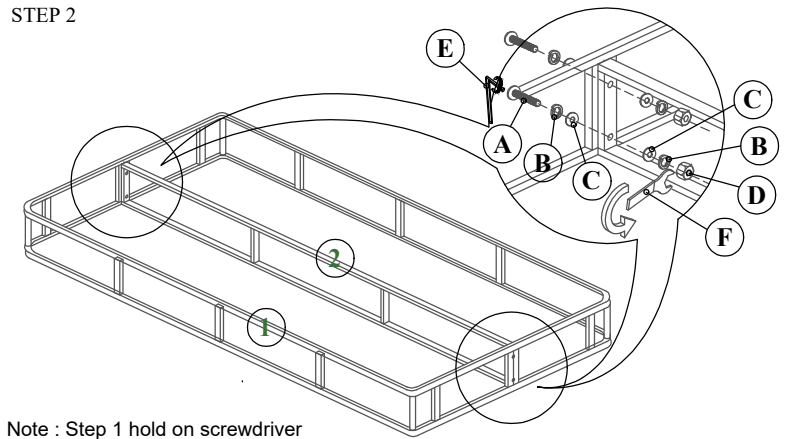
ASSEMBLY INSTRUCTION

NO	PARTLIST	QTY
1	 METAL FRAME	1PC
2	 CENTER SUPPORT	1PC
3	 METAL SLAT	10PCS
4	 SLIP COVER	1PC
ITEM	HARDWARE	QTY
A	 JCBC SCREW M6 x 35MM	4PCS
B	 SPRING WASHER M6 x 12MM	8PCS
C	 FLAT WASHER M6 x 19MM	8PCS
D	 HEX NUT M6 x 19MM	4PCS
E	 L-KEY M4 x 65MM	1PC
F	 WRENCH	1PC

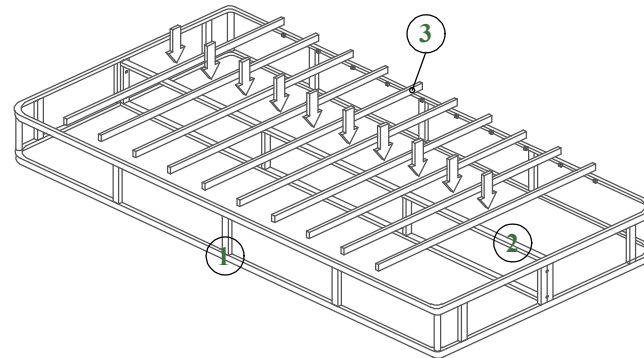
STEP 1



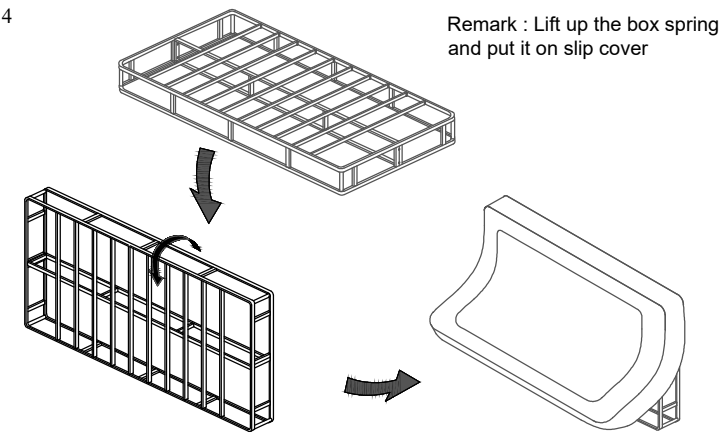
STEP 2



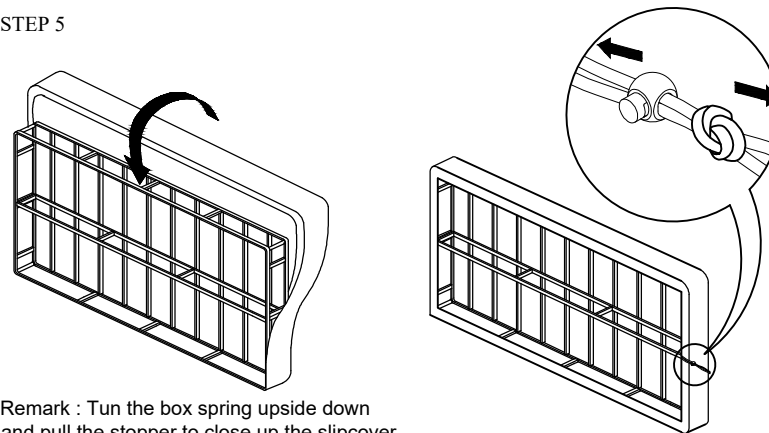
STEP 3



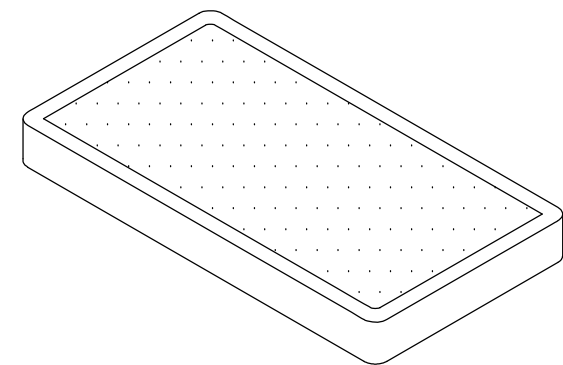
STEP 4



STEP 5



STEP 6



ASSEMBLY COMPLETED