



# GREENHOUSE

## IMPORTANT

- You must read these instructions carefully before you start to assemble this greenhouse.
- Please ensure that you find all parts in the carton box in the correct type and quantity as mentioned in the list illustrated in every page accordingly.
- Please carry out the steps in the order set out in these instructions.
- Do not tighten the steps in the greenhouse until completing on the assembly of the polycarbonate panels.
- Keep these instructions in a safe place for future reference.

## SAFETY ADVICE

- We strongly recommend the use of work gloves during assembly.
- Do not attempt to assemble the greenhouse in windy or wet conditions.
- Do not touch overhead power cables with the aluminum profiles.
- Always wear shoes and safety goggles when working with extruded aluminum. Dispose of all plastic bags safety-keep them out of reach of small children.
- The greenhouse must be positioned and fixed on a flat level surface.
- Do not lean against or push the greenhouse during construction.
- Keep children away from the assemble area.
- Do not position your greenhouse in an area exposed to excessive wind.

- Do not attempt to assemble this greenhouse if you are tired, have taken drugs or alcohol or if you are prone to dizzy spells.
- If using a step ladder or power tools ensure that you follow the manufactures safety advice.
- Hot items such as recently used grills, blowtorches etc. must not be stores in the greenhouse.
- Ensure there are no hidden pipes or cables in the ground before inserting the pegs.
- This is a multi-part assembly, allow at least 300 minutes for assembly.
- Selecting a site--choose a sunny level position away from overhanging trees.
- If you are fixing your greenhouse directly to a solid concrete foundation use the pre-drilled holes in the metal base supplied.
- The component parts should be checked and laid out close at hand. Keep all small parts(screws etc) in a bowl so they do not get lost.
- Note that the door is hinged on the right hand side and therefore opens to the right.
- Keep roof clear of snow and leaves.

## EQUIPMENT REQUIRED

- Silicone sealant & applicator bradawl phillips screwdriver step ladder.
- Tape measure large hammer scissors.
- Work gloves drill spirit level Lubricant see over for contents plastic or rubber mallet 0.08" metal drill bit.
- If help is required seek professional advise within store.

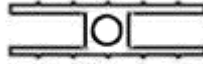
# COMPONENT



D1: (x1)  
D4: (x1)



D2: (x1)



D3: (x2)



W1: (x1)



W2: (x2)



W3: (x1)



W4: (x1)



4: (x2)  
5: (x1)



6: (x1)



7: (x4)  
16: (x4)



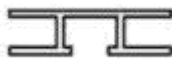
8: (x2)



9: (x2) 10R: (x1)  
10L: (x1) 19: (x4)  
20: (x4)



13: (x1)



12: (x5)  
15: (x1)



14: (x1) 22: (x4)  
23: (x4)



17: (x1)



18: (x1)



25: (x2)



B3: (x6)



B4: (x4)



B5: (x4)



B6: (x2)



B7: (x1)



S5: (x2)



S6R: (x2)

S6L: (x2)



S7: (x2)



S8: (x1)



S9: (x1)



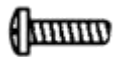
F4: (x116)



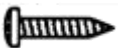
F6: (x2)



F8: (x1)



F9: (x1)



F1: (x8)



F2: (x4)

## PC Boards Quantities

P1: 2PCS

P2: 1PC

P3: 4PCS

P4R: 2PCS

P4L: 2PCS

P5: 1PC

P6: 1PC

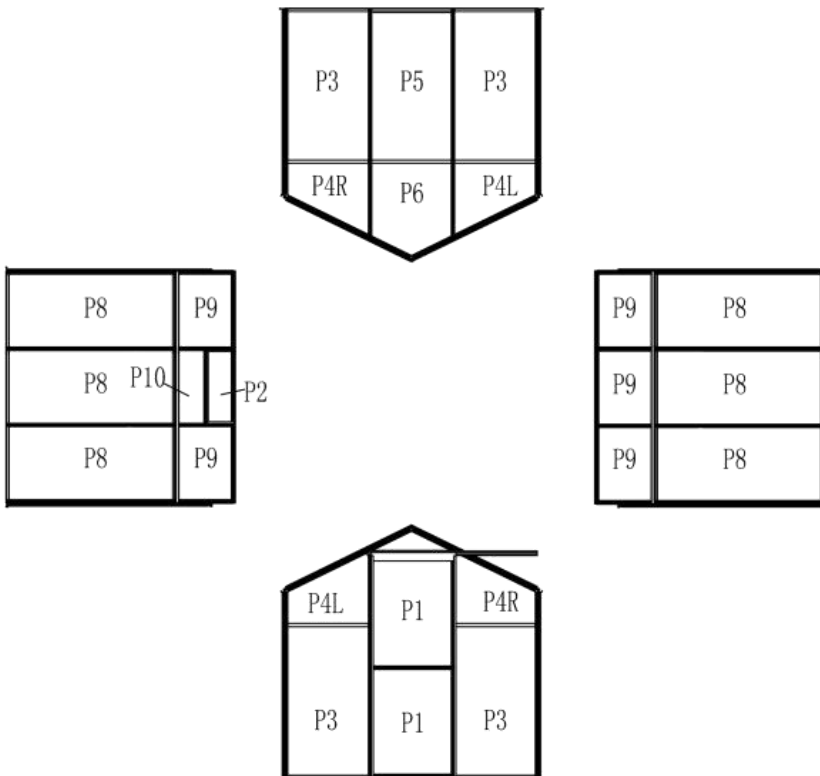
P7: 1PC

P8: 6PCS

P9: 5PCS

P10: 1PC

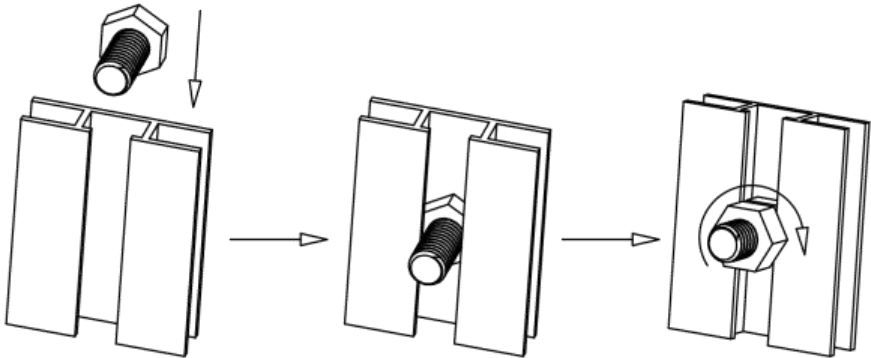
## Summary Statement For Polycarbonate Panel



\*The UV-protected side of the sheet is covered with transparent film and must face towards the sun.

## "Hexagonal Screw" Installation

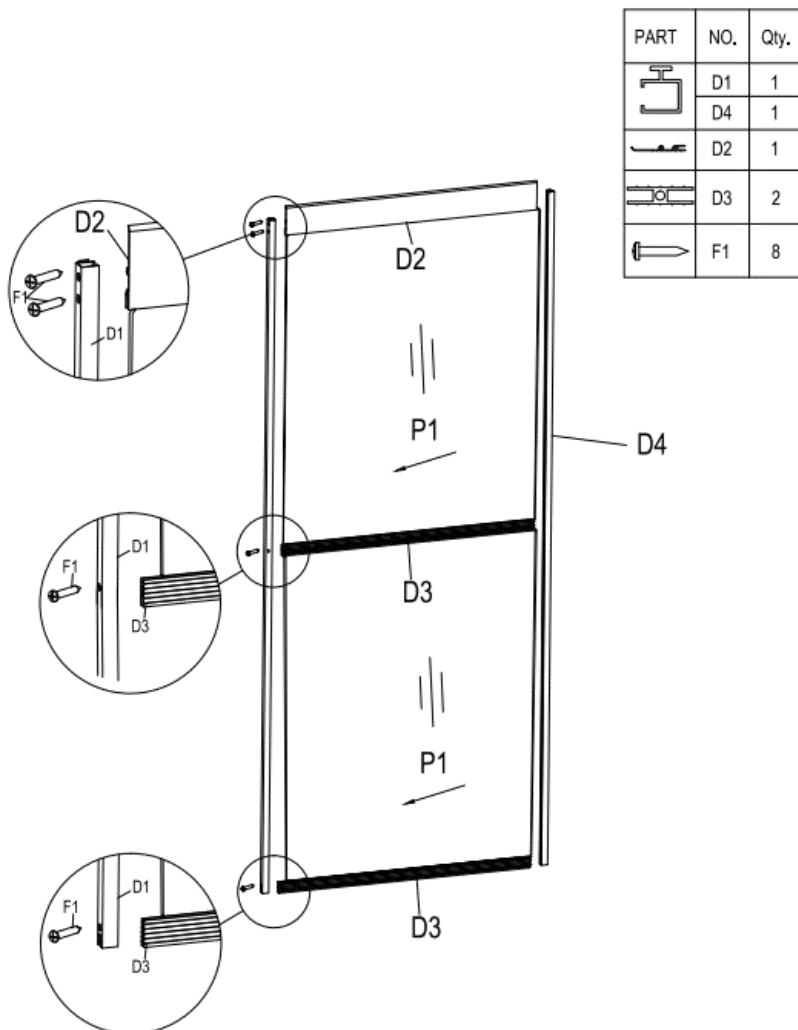
- Place the "hexagonal screw" into the groove, turn clockwise until it stops turning.
- Adjust the "hexagonal screw" by hand and twist so threads fix it in place.
- Place other parts on "hexagonal screw" and assemble nut.



# INSTALLATION

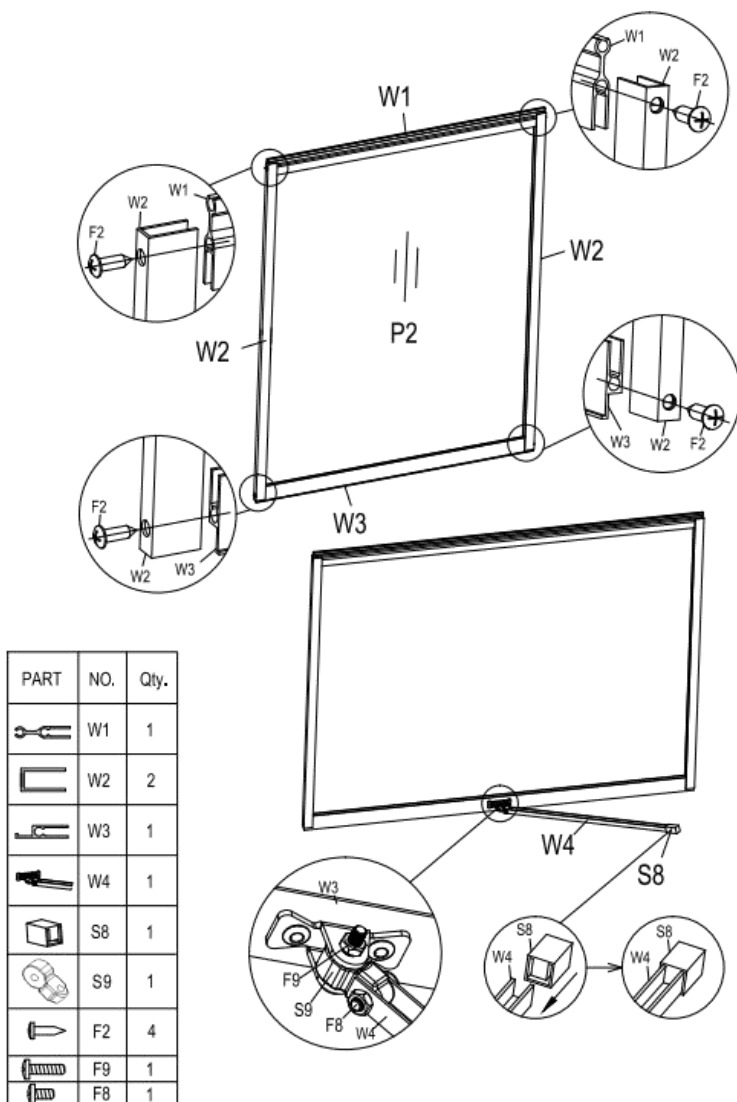
## Step 1:

Install the door of the greenhouse first as shown in the picture.



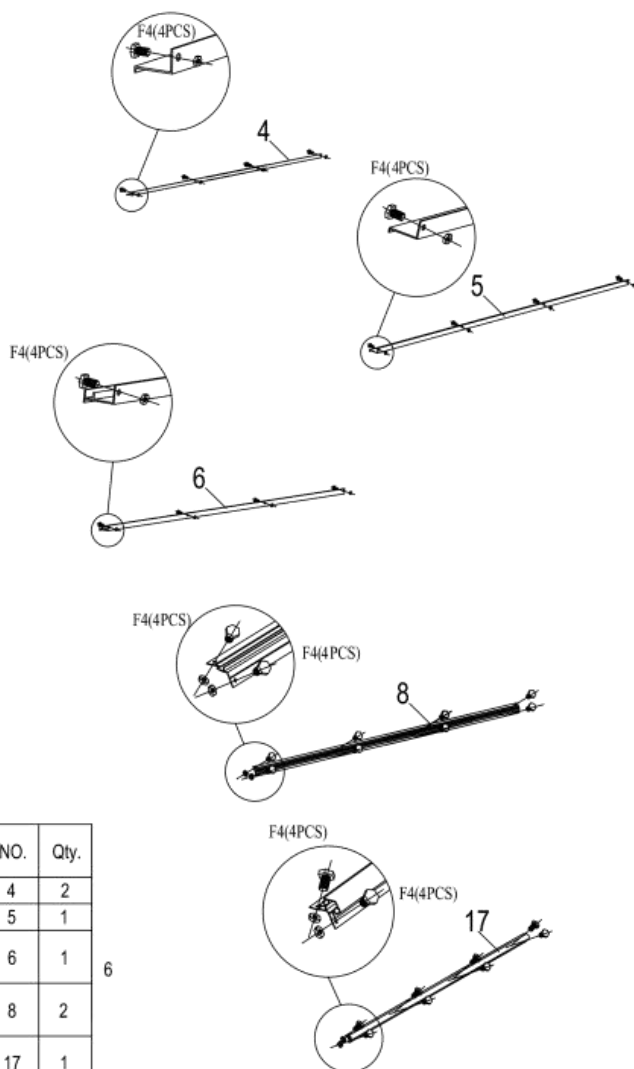
## Step 2:

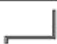




Install the windows of the greenhouse as shown.



### Step 3:

Insert F4 into 4, 5, 6, 8 and 17 respectively.

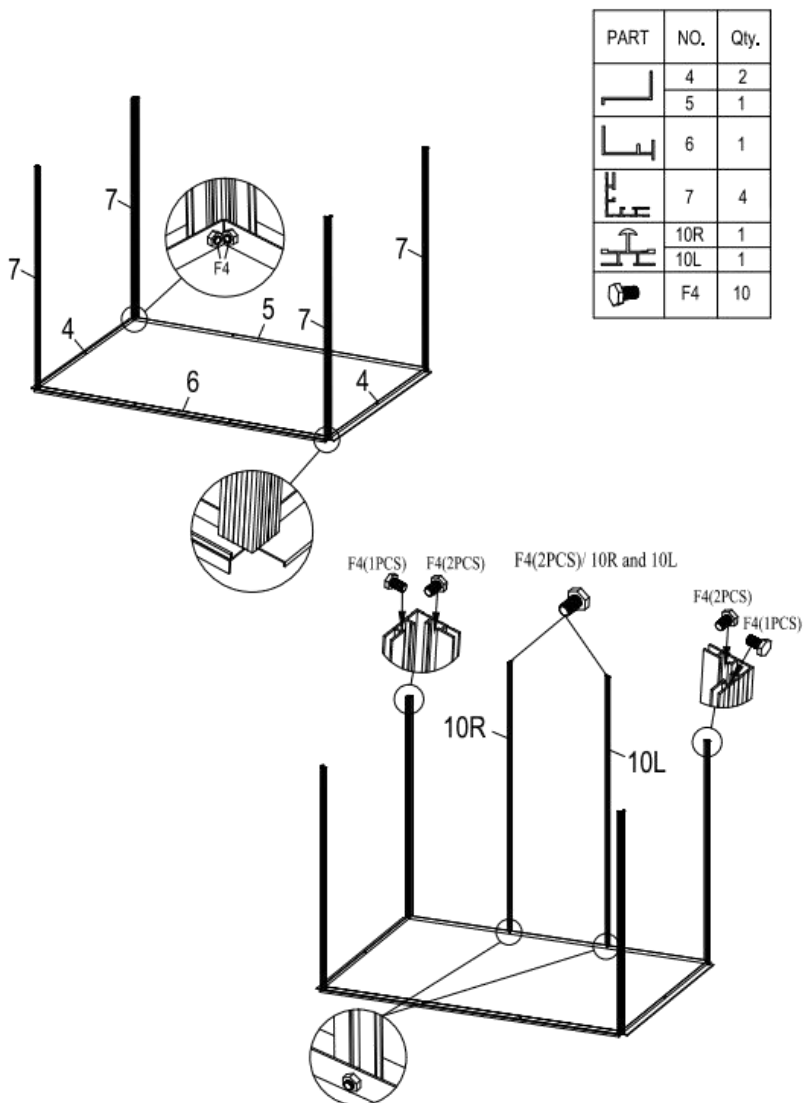


PART	NO.	Qty.
	4	2
	5	1
	6	1
	8	2
	17	1
	F4	40

6

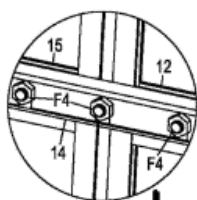
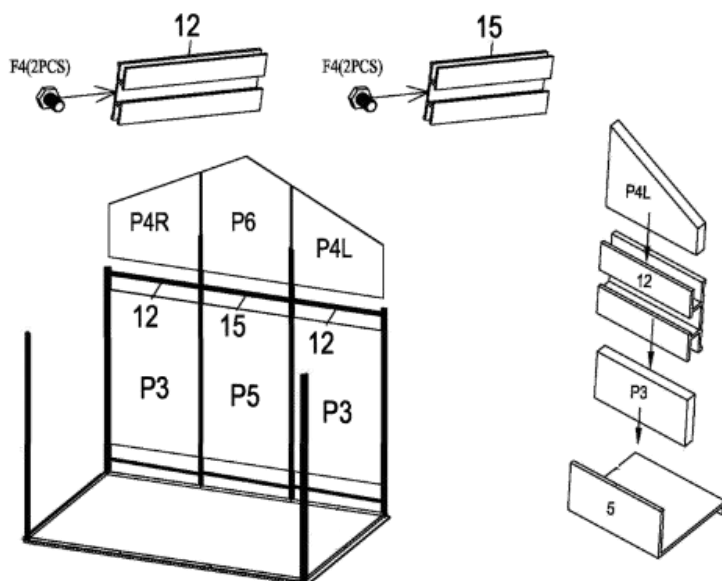
#### Step 4:



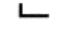

Attach 5 and 6 to two 4 with four 7 and tighten them with F4. Then attach 10R and 10L to the middle of 5. Insert F4 to 10R and 10L and two 7.

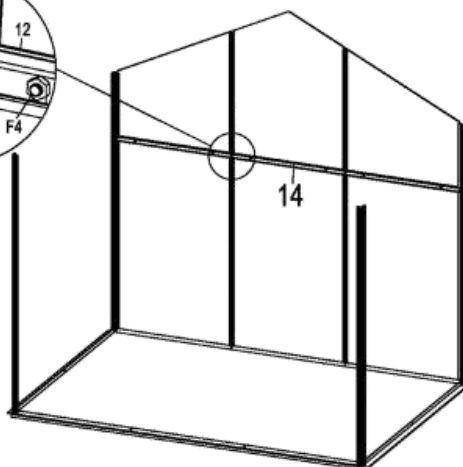


### Step 5:

Install the back of the greenhouse as shown.

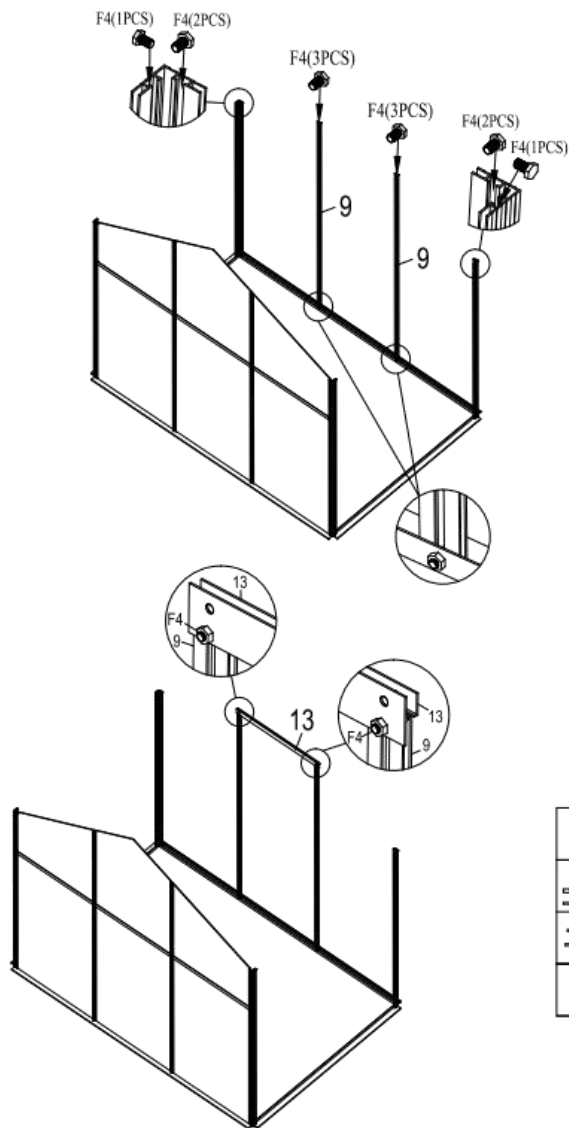





PART	NO.	Qty.
	12	2
	15	1
	14	1
	F4	6



### Step 6:

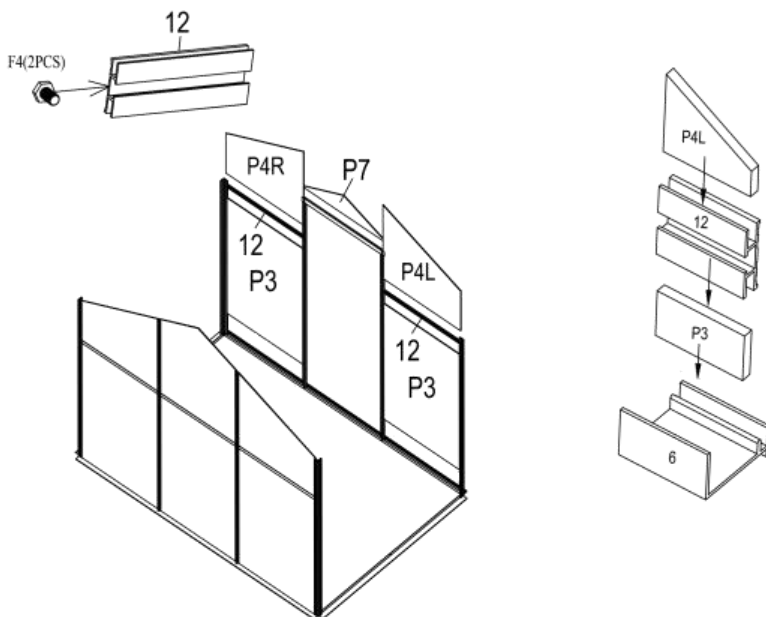
Install the front pillars of greenhouse as shown.






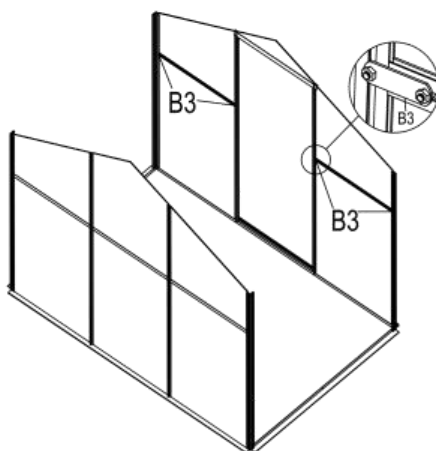
PART	NO.	Qty.
	9	2
	13	1
	F4	12

### Step 7:

Attach P4R to P3 with 12, attach P4L to P3 with 12. Install B3 to the corresponding positions of front board.

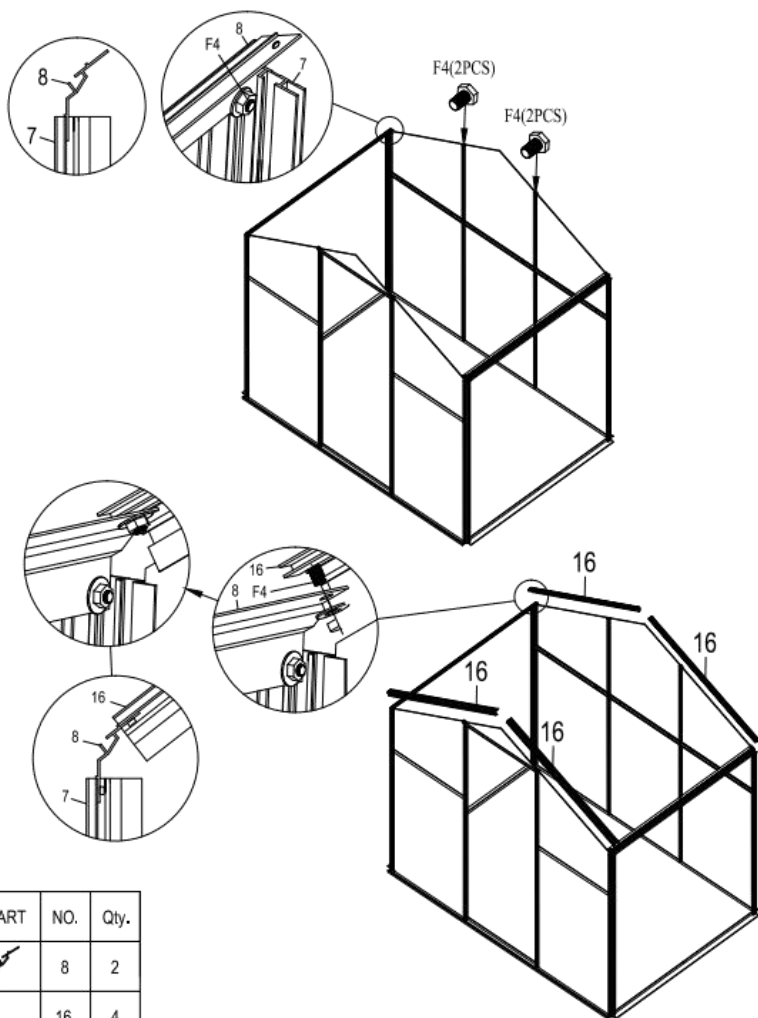


PART	NO.	Qty.
	12	2
	B3	4
	F4	4



### Step 8:

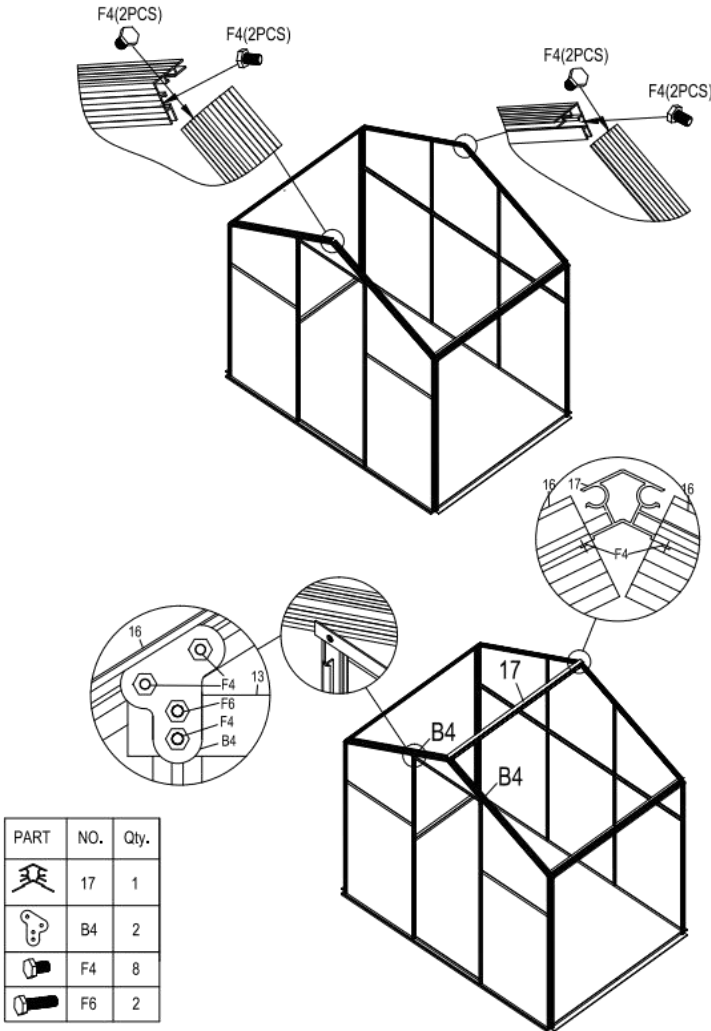
Insert 8 to the top of the back pillars as shown. Attach four 16 to the top of the greenhouse.



PART	NO.	Qty.
	8	2
	16	4
	F4	4

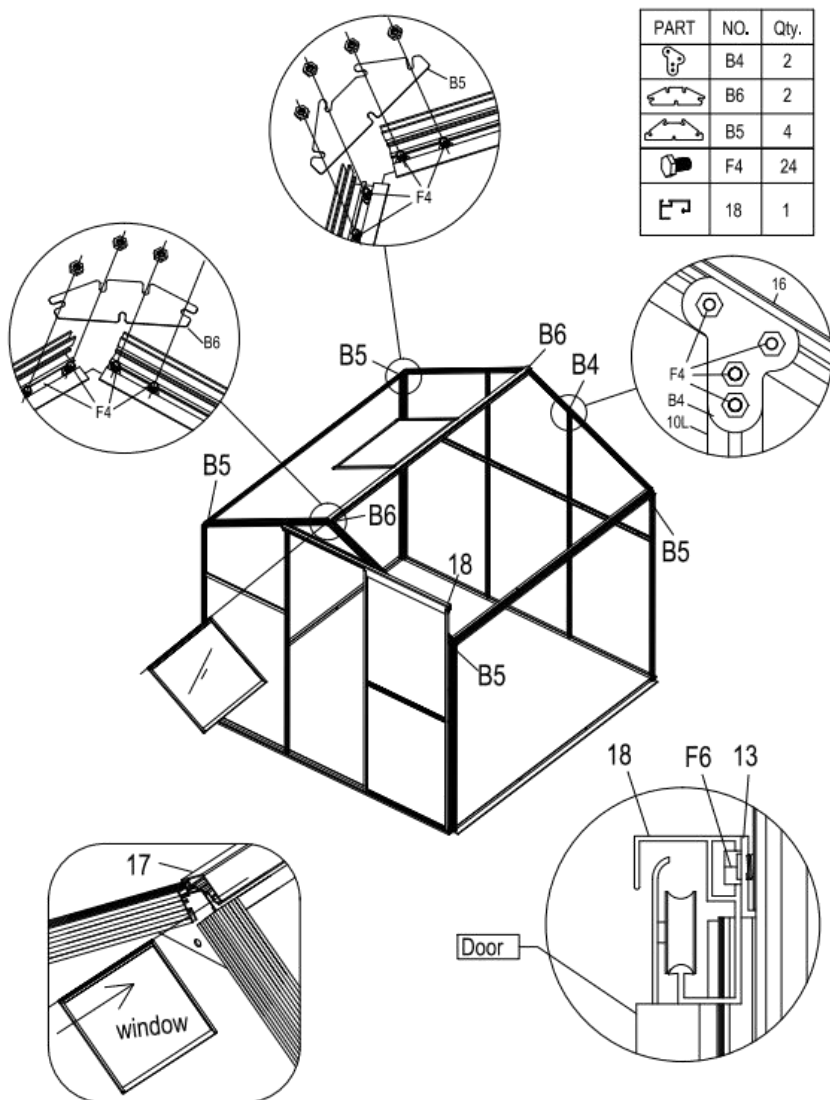
**Step 9:**

Tighten four 16 with F4. Attach 17 to 16 with F4. Attach B4 to the corresponding positions of 16 with F4 and F6 as shown.



### Step 10:

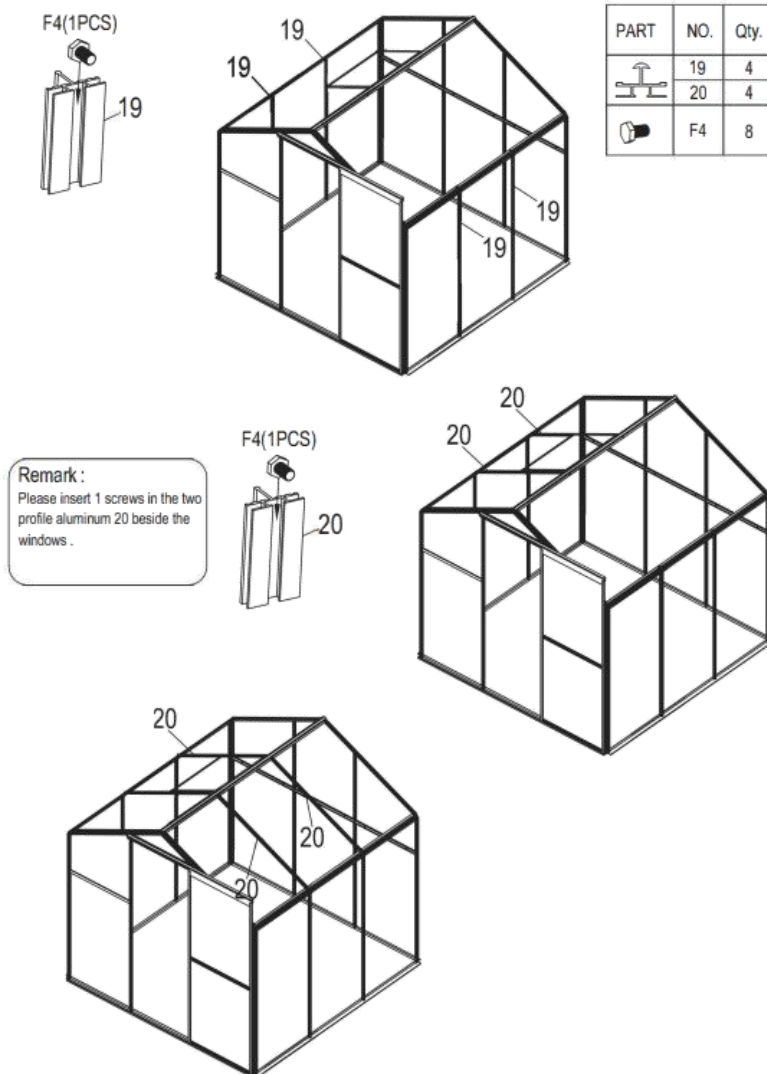
Attach B5 to four pillars with F4 as shown. Then attach B4, B6 and 18 to the corresponding positions as shown in the picture.



### Step 11:

Attach 19 and 20 with F4 to the corresponding positions as shown in the picture.

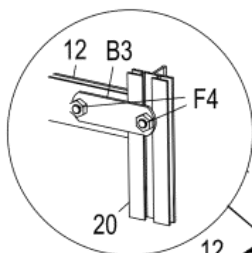
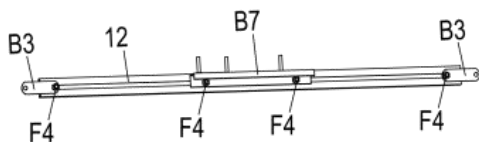
**Note:** Please insert 1 screw in the two profile aluminum 20 beside the windows.



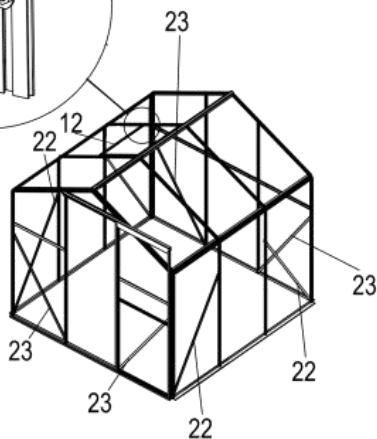
### Step 12:







Attach B7 and B3 to 12 with F4. Attach 22 and 23 to the corresponding positions as shown.

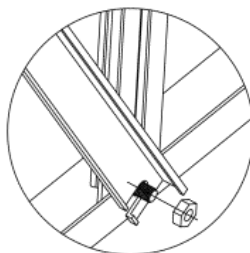
**Note:** B7 is used to hold the window guide W4 when the window is closed.



**Remark:**  
B7 is used to hold the window guide W4 when the window is closed.

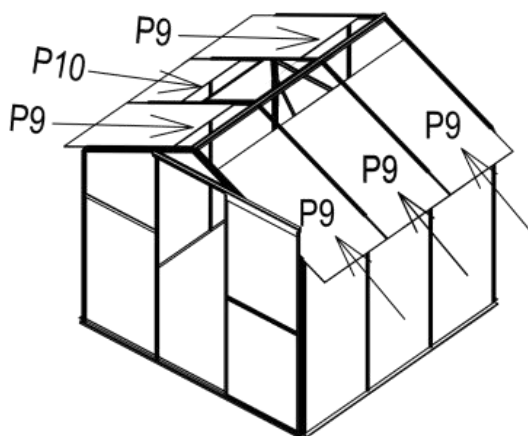
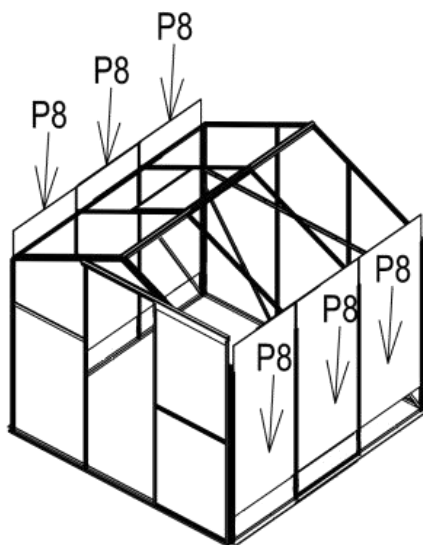


PART	NO.	Qty.
	12	1
	B7	1
	22	4
	23	4
	B3	2
	F4	4



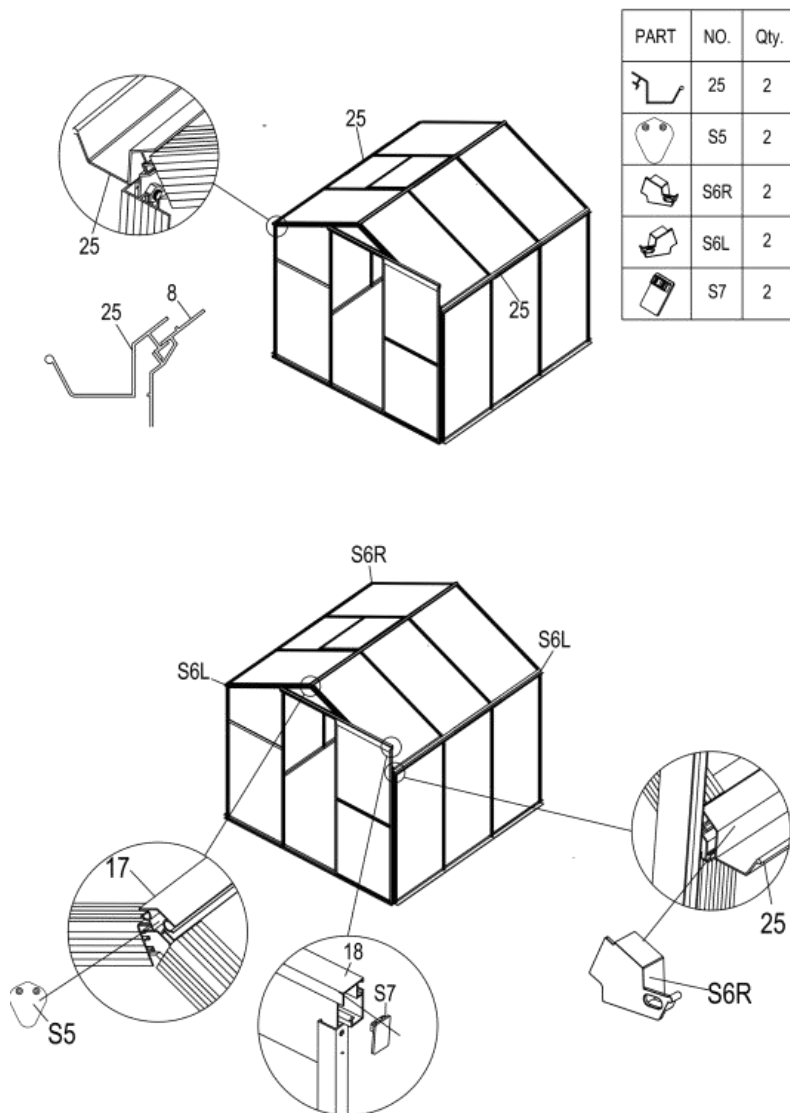
**Step 13:**

Install six P8 on the side of the greenhouse and one P10 and five P9 on the roof.



### Step 14:

Attach 25 to the top of the greenhouse. Install S5, S6R, S6L and S7 to the top of the greenhouse respectively as shown.



## CARE & MAINTENANCE

- When your greenhouse needs cleaning, use a mild detergent solution and rinse with cold clean water.
- Do NOT use acetone, abrasive cleaners or other special detergents to clean the clear panels.