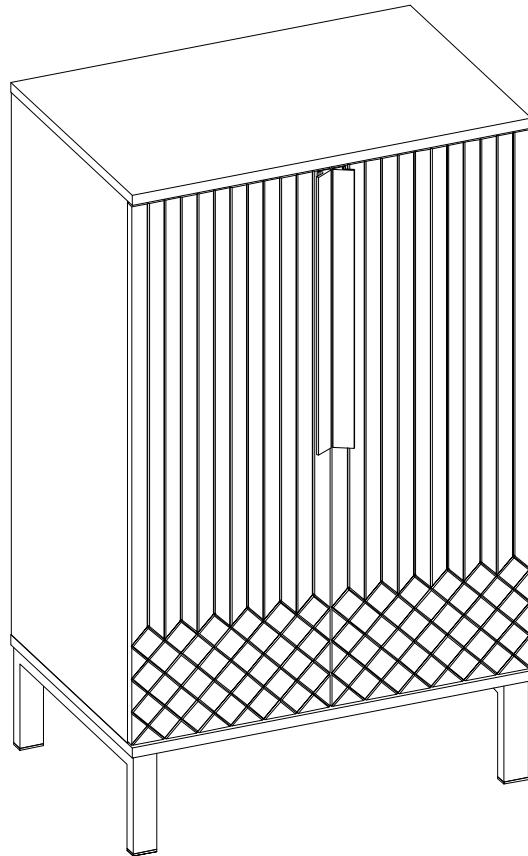


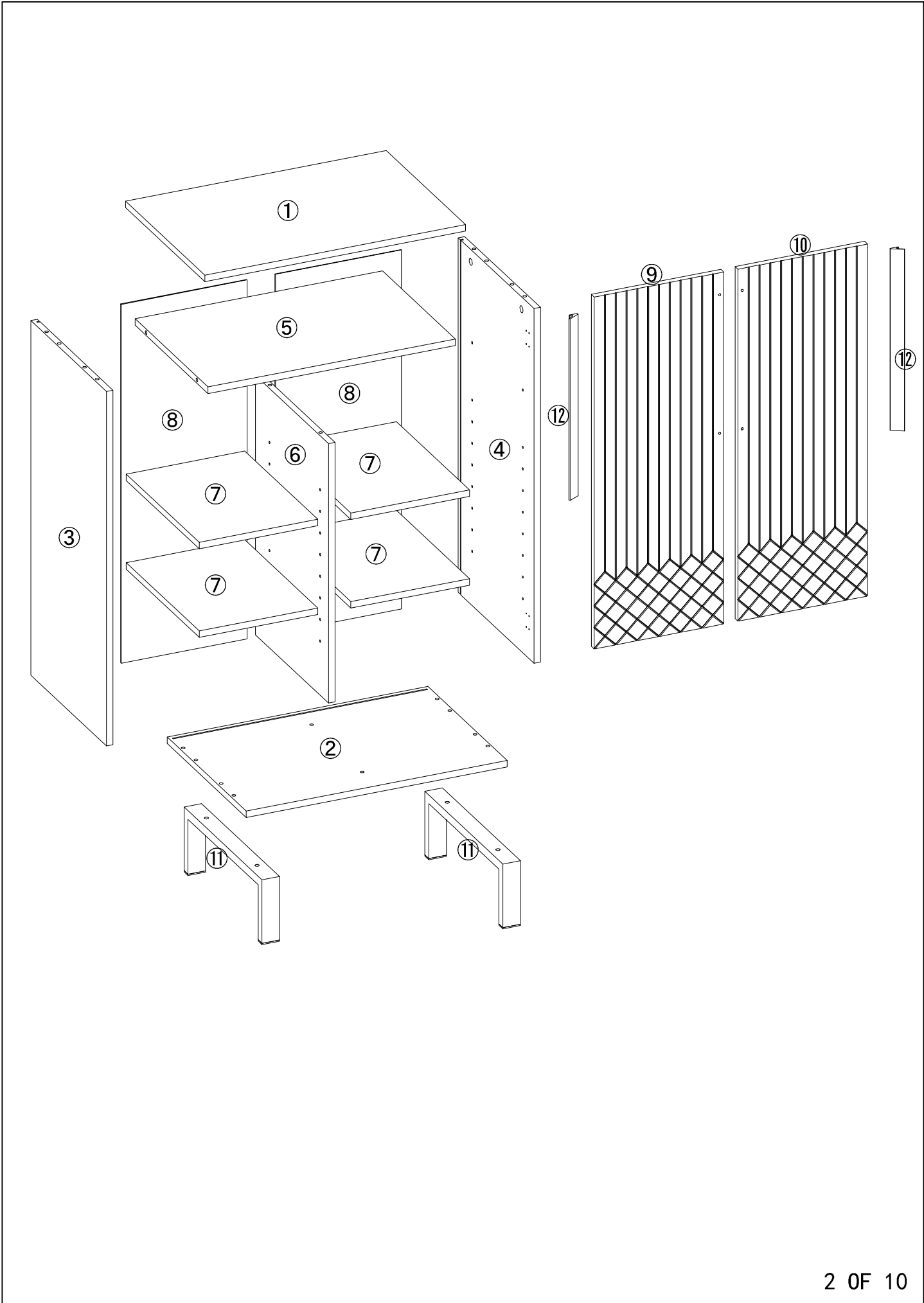
# WF306488



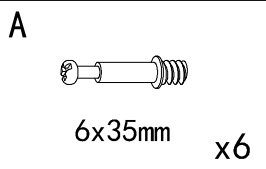
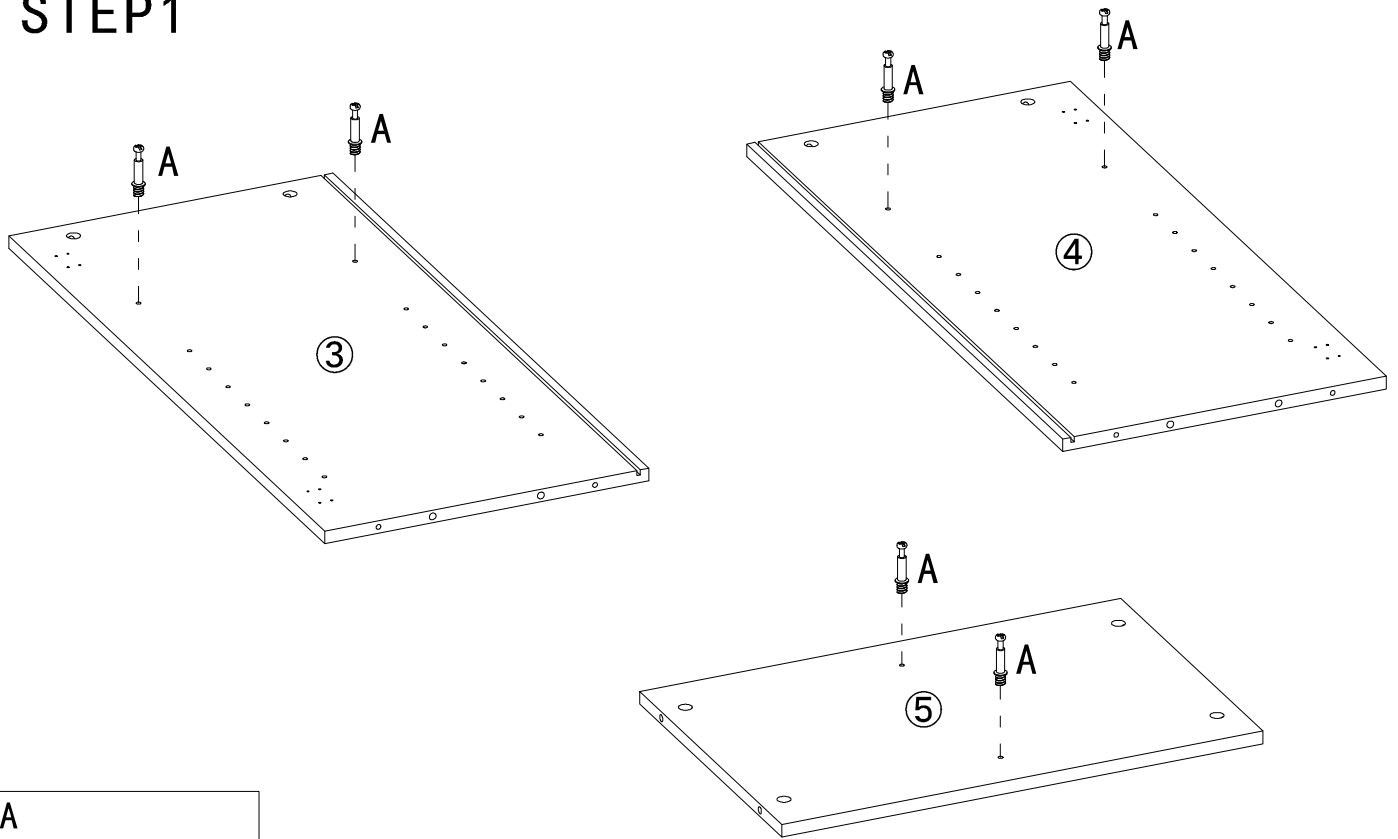
 ① x1	 ② x1	 ③ x1	 ④ x1	 ⑤ x1
 ⑥ x1	 ⑦ x4	 ⑧ x2	 ⑨ x1	 ⑩ x1
 ⑪ x2	 ⑫ x2	 A 6x35mm x10	 B Ø15x12mm x10	 C Ø8x30mm x8
 D 6x50mm x6	 E M6x30mm x4	 F Ø5x15mm x16	 G x4	 H M3.5x14mm x24
 I M4x18mm x4	 J x2	 K 6x30mm x2	 L M4x35mm x2	 M M4x14mm x2
 N M4 x1	 philis head screwdrier rewuired of assembly (not include)			

hammer  
(not include)

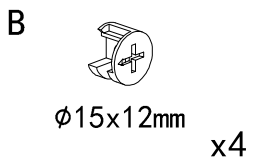
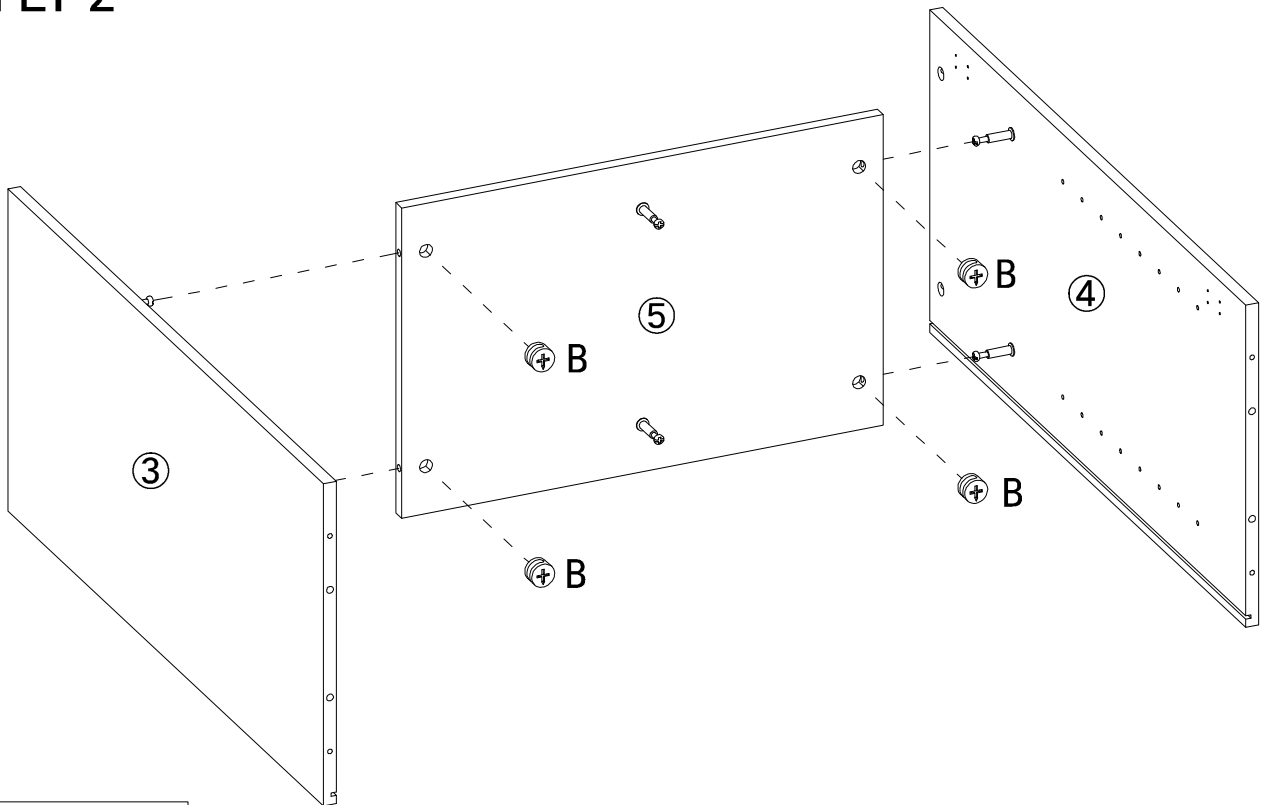
electric drill  
(not include)



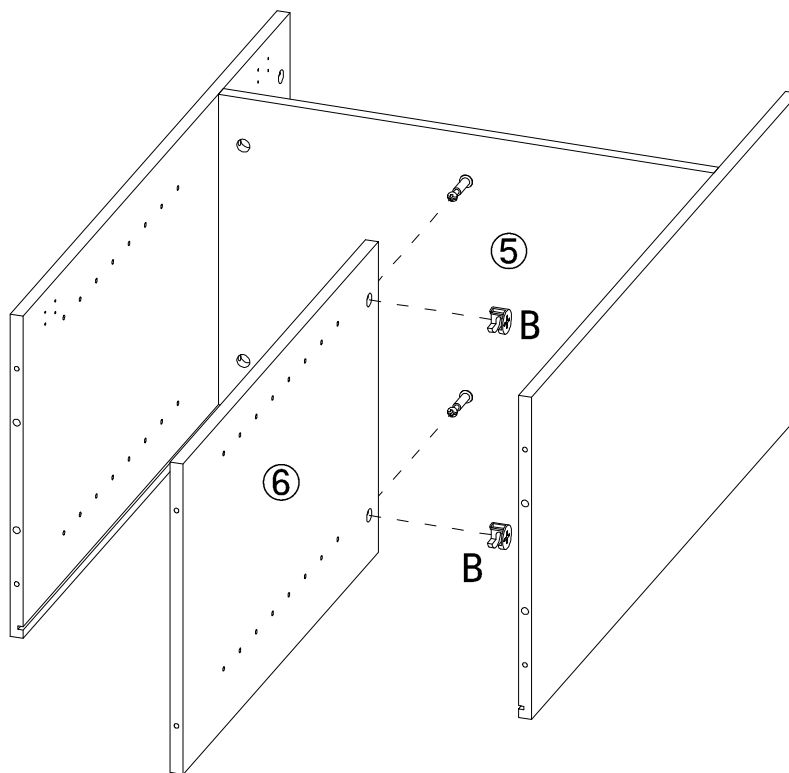
# STEP 1



# STEP 2



# STEP 3

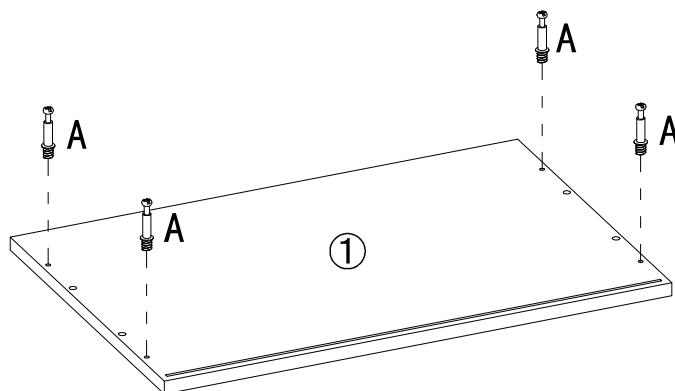


B

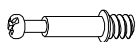


Ø15x12mm x2

# STEP 4

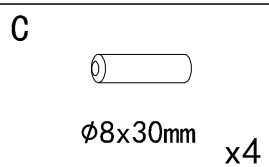
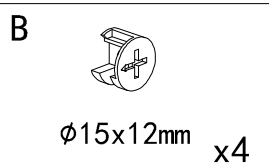
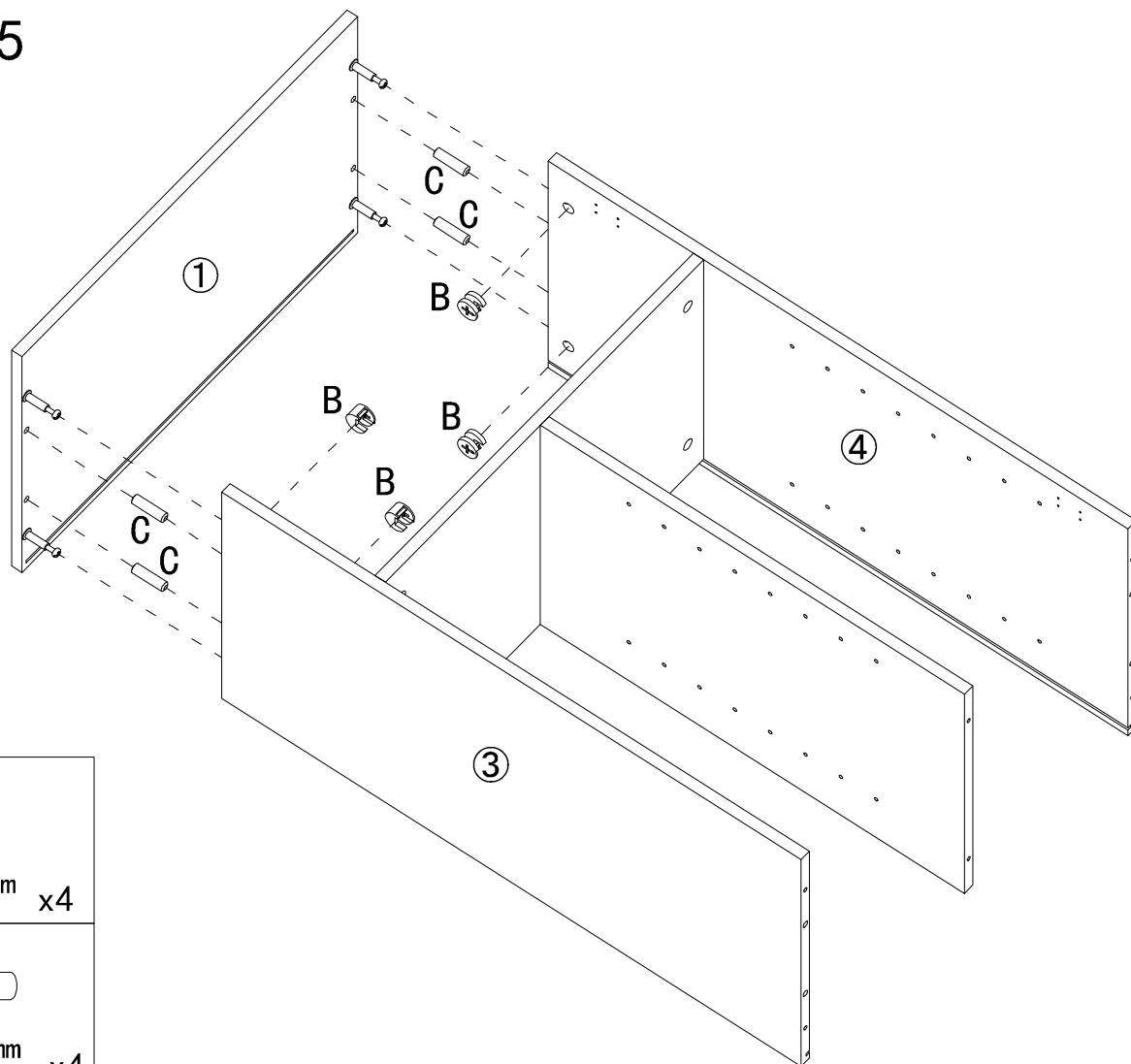


A

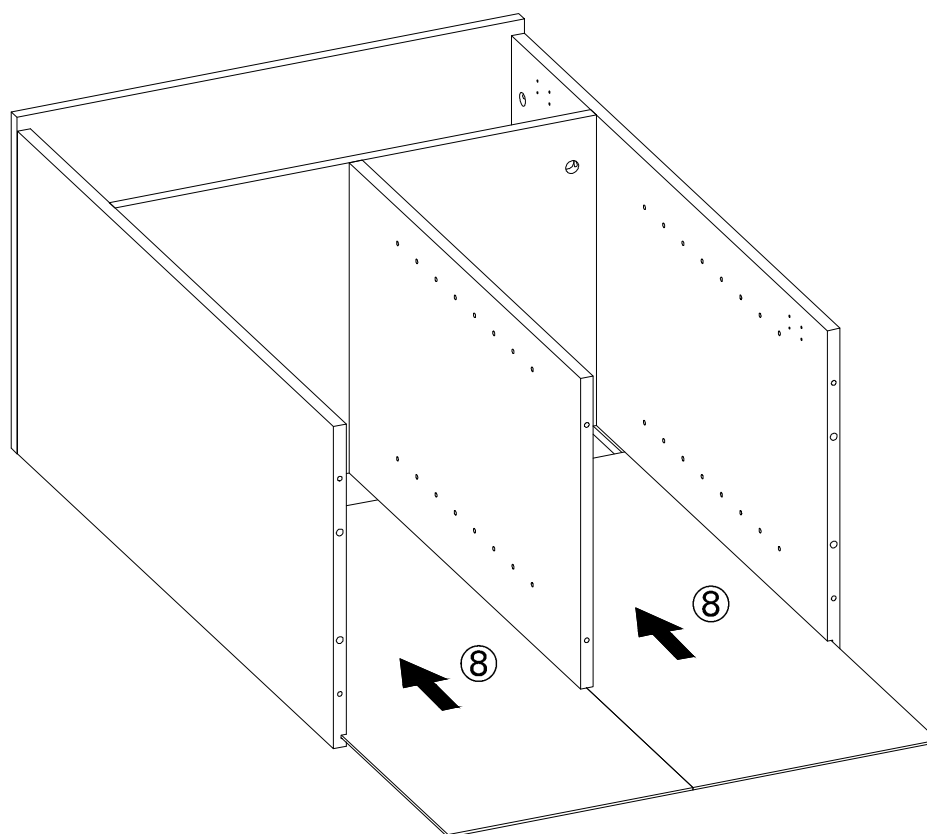


6x35mm x4

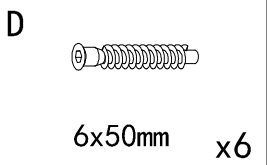
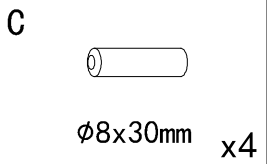
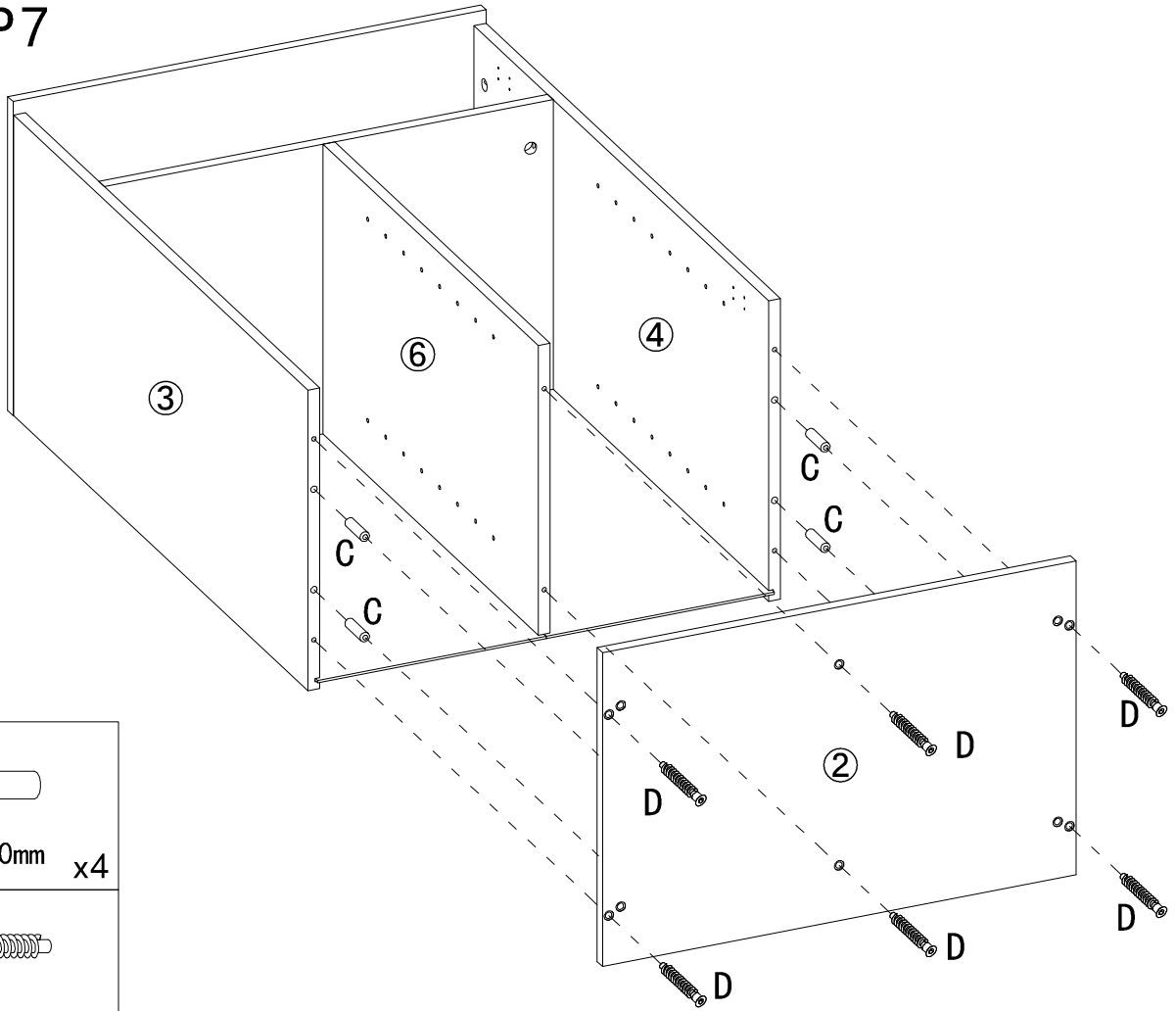
# STEP5



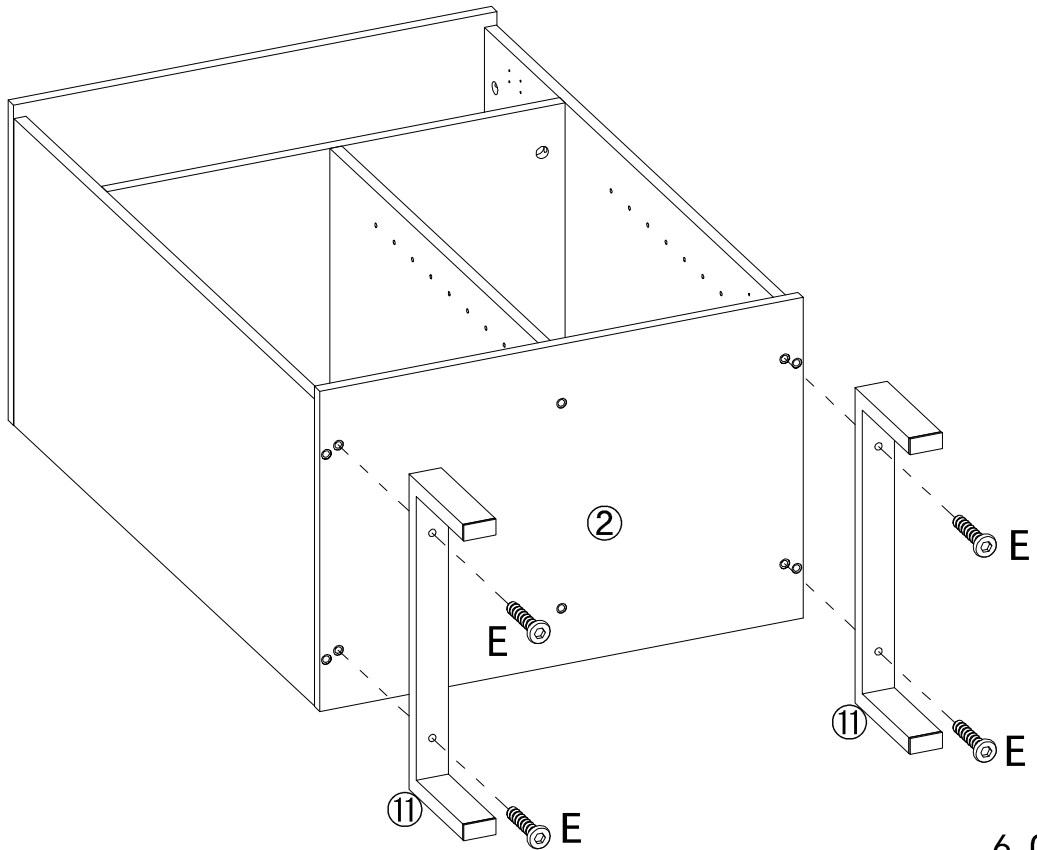
# STEP6



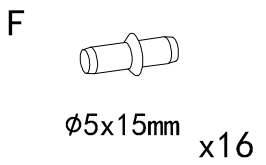
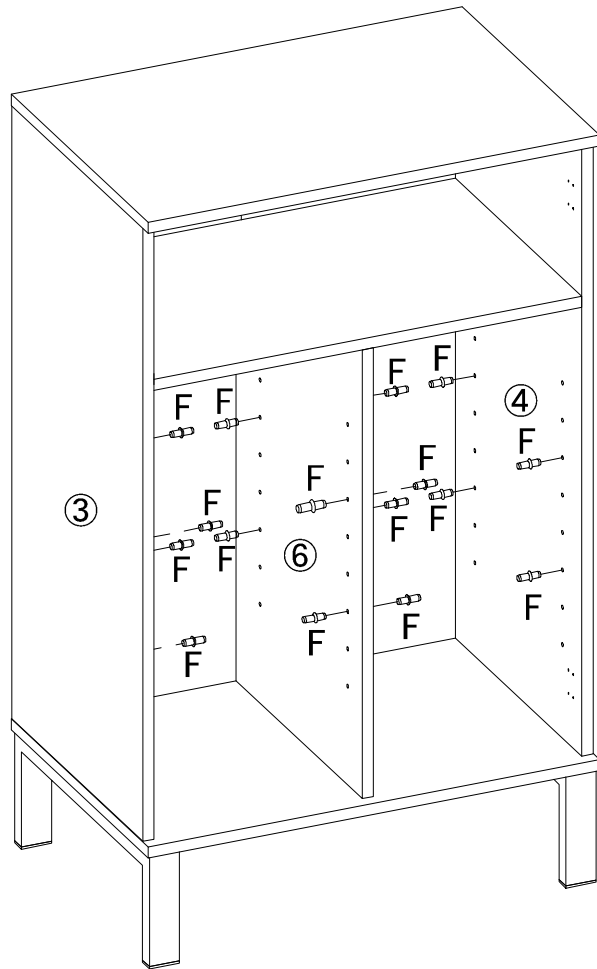
# STEP 7



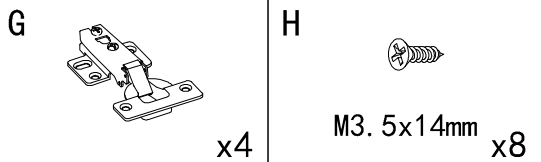
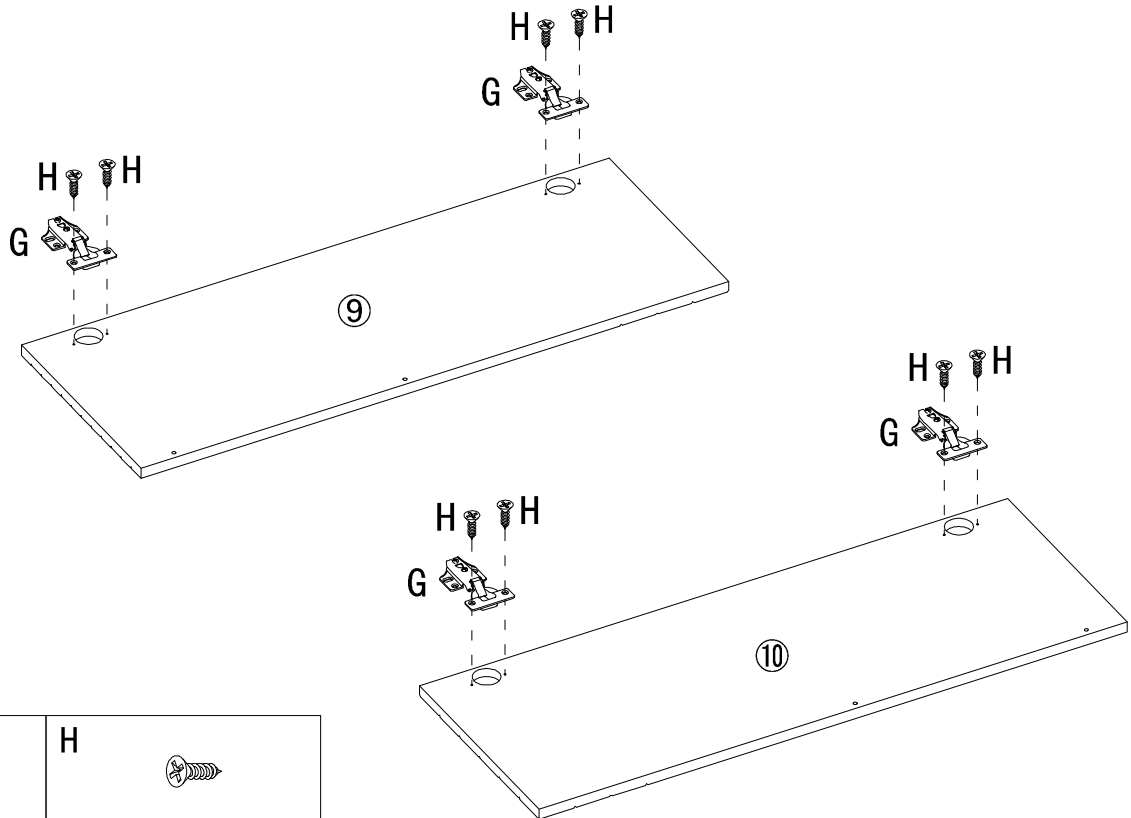
# STEP 8



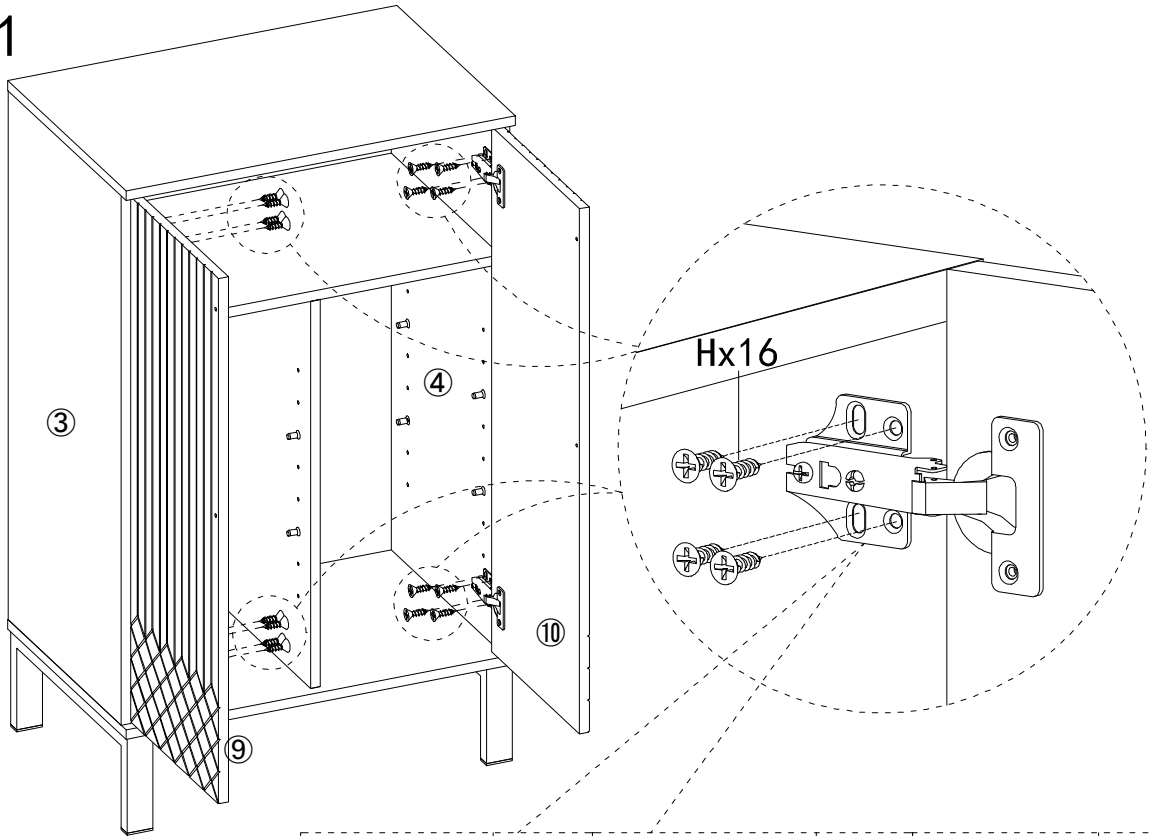
# STEP 9



# STEP 10



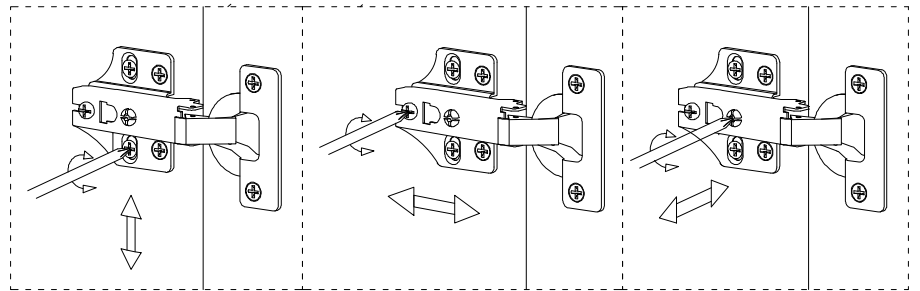
# STEP 11



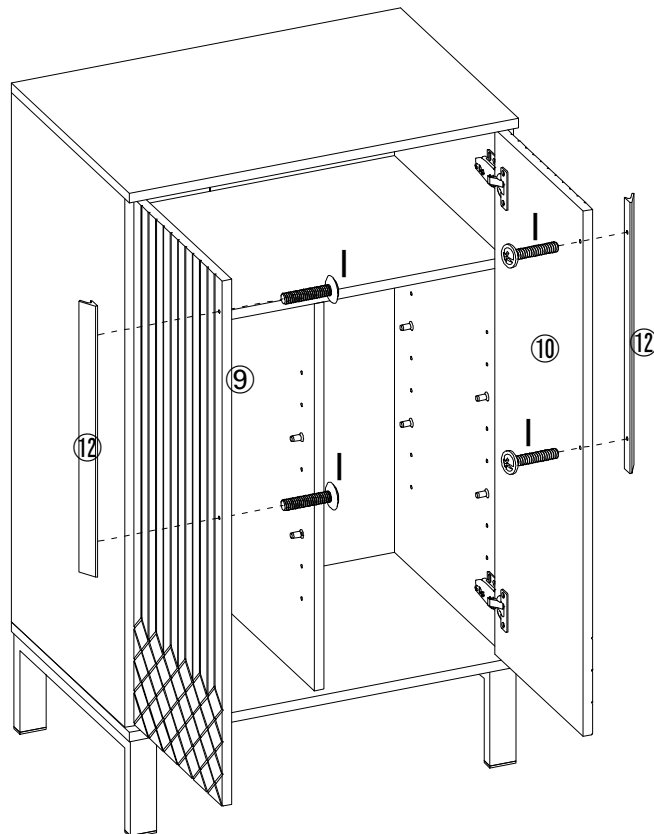
H



M3.5x14mm  
x16



# STEP 12

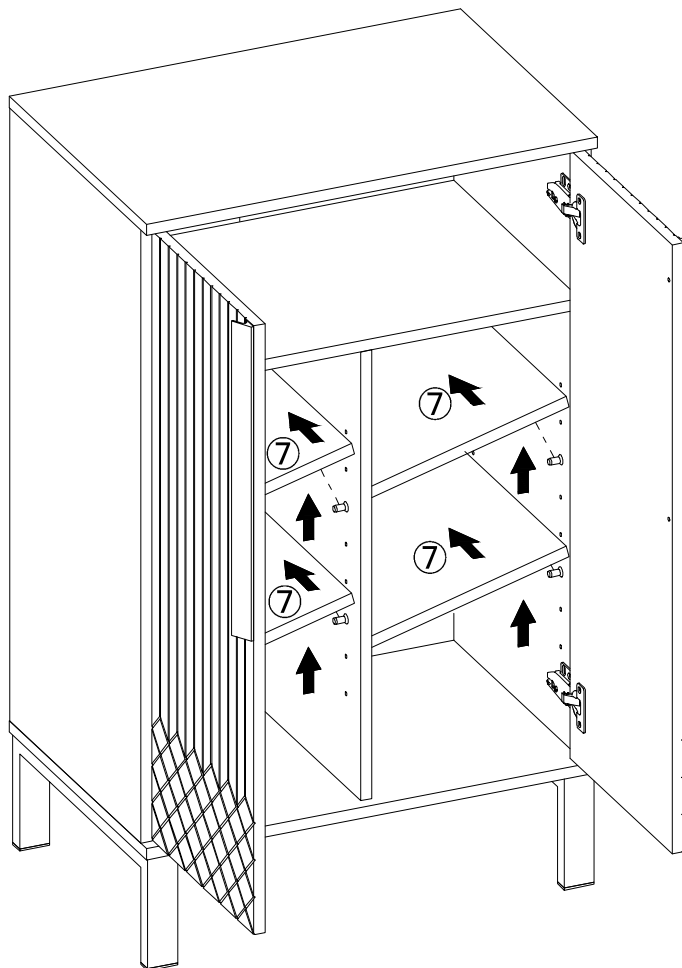


I

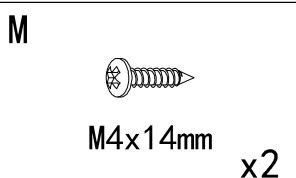
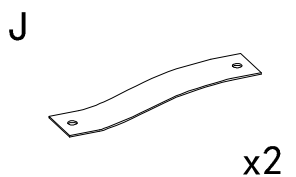
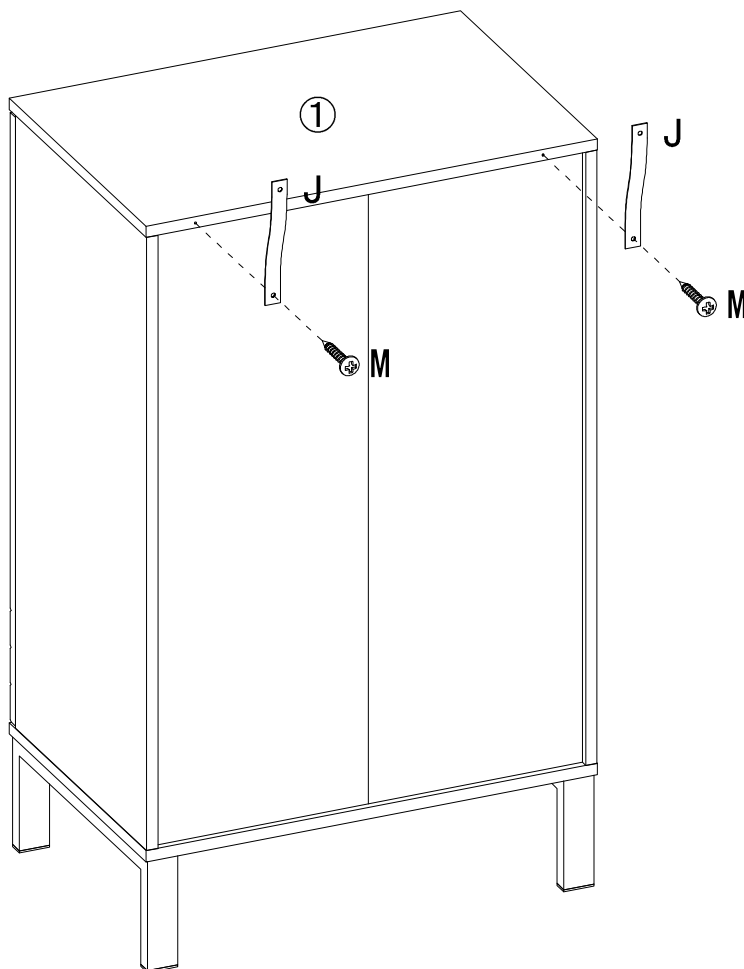


M4x20mm  
x4

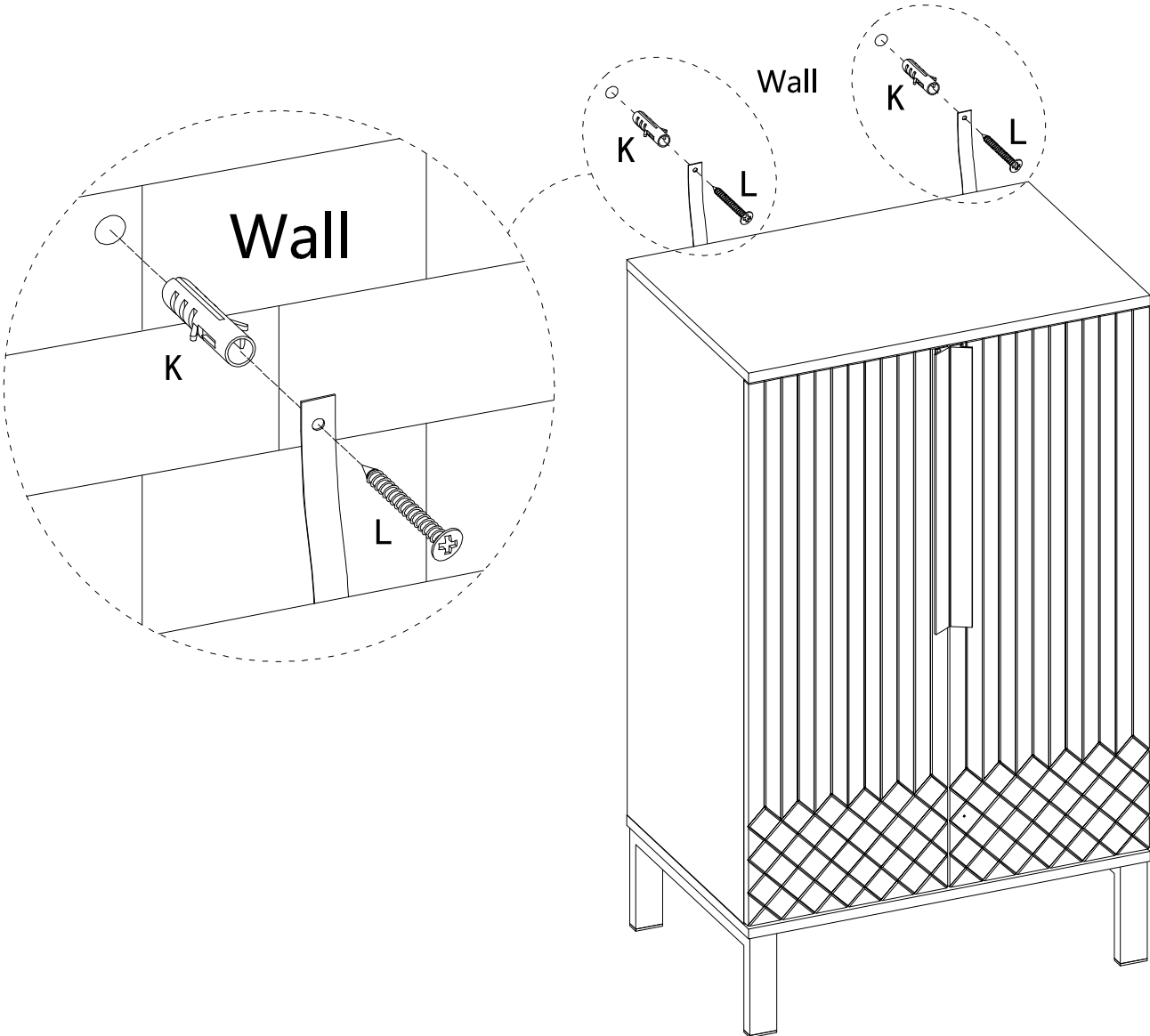
# STEP 13




# STEP 14



# STEP 15



**K**



6x30mm x2

**L**



M4x35mm x2