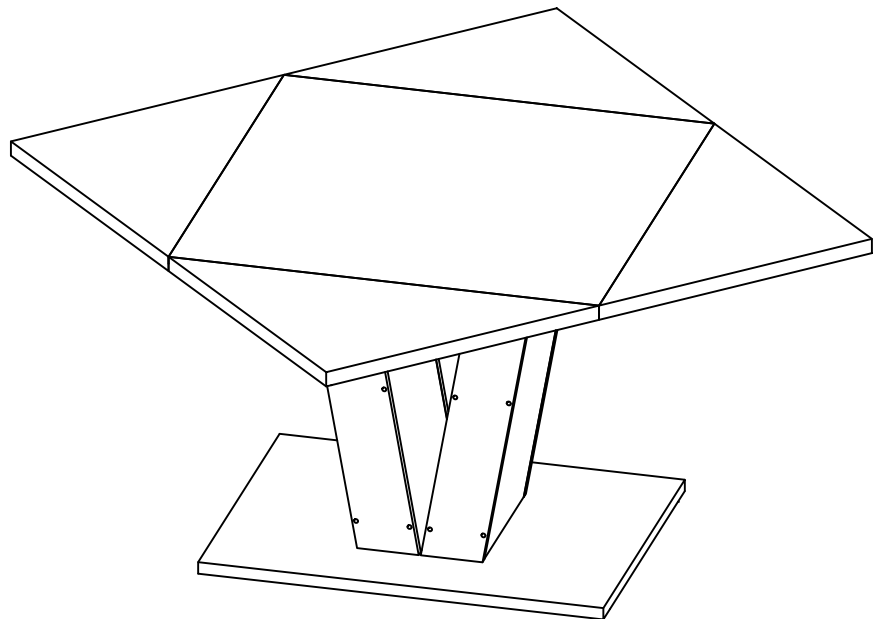


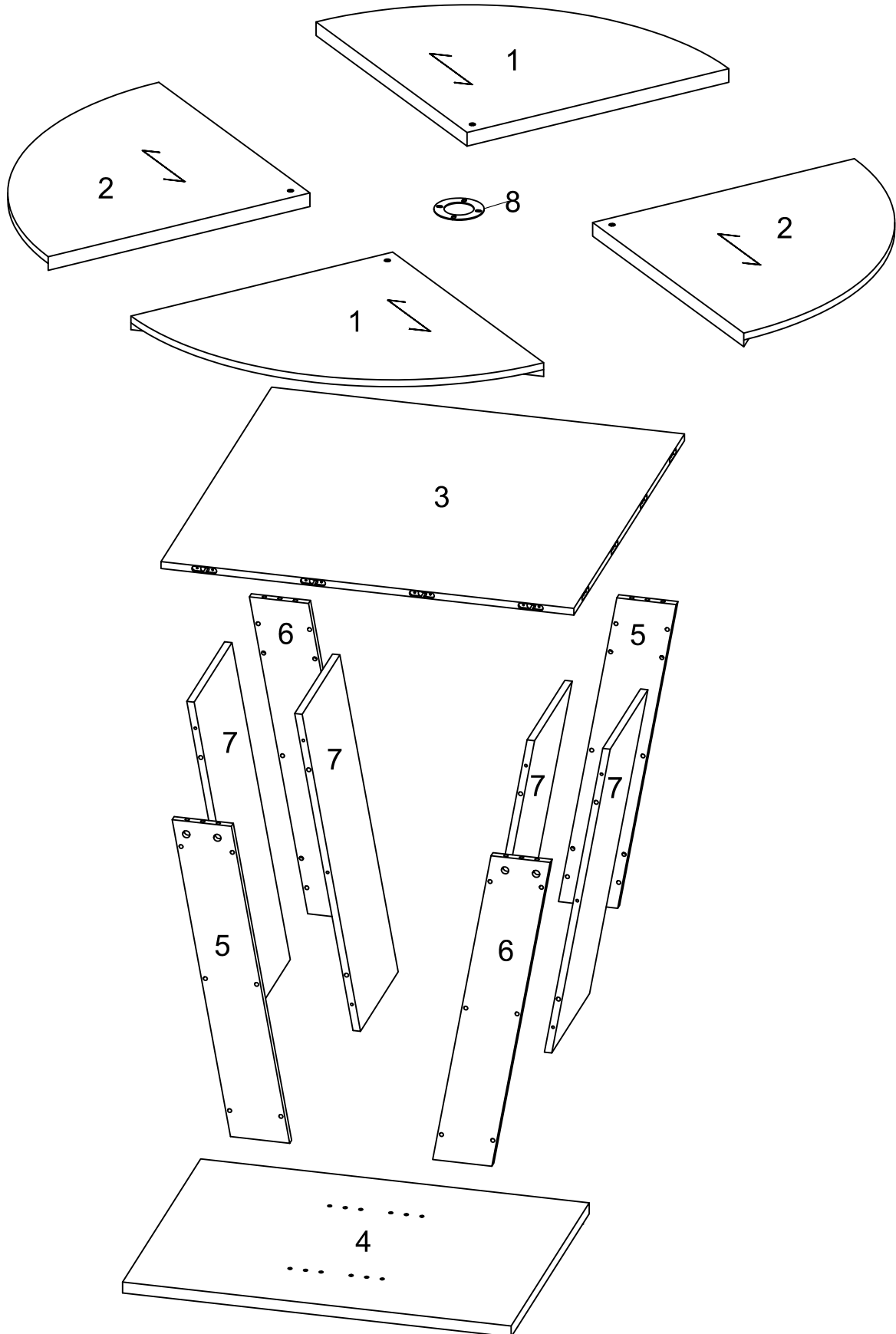
**style:A**

**OR**



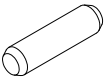


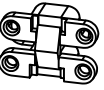

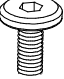
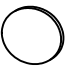
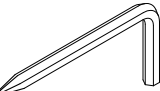
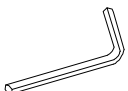


**style:B**

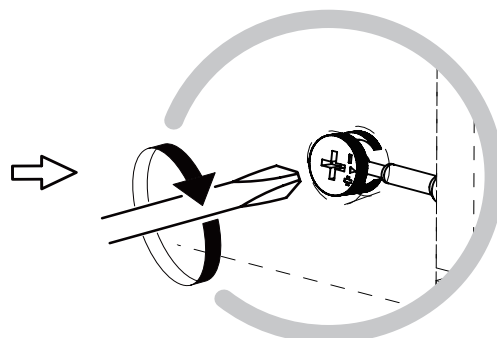
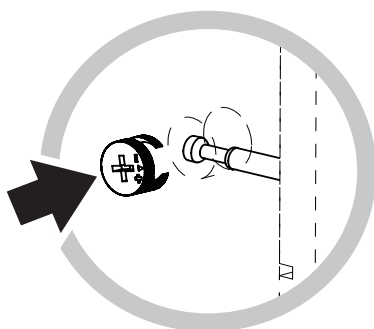
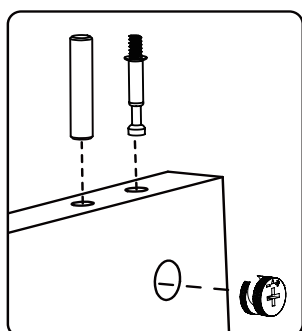
# EXPLODED DRAWING



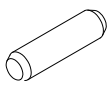

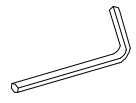
# PARTS

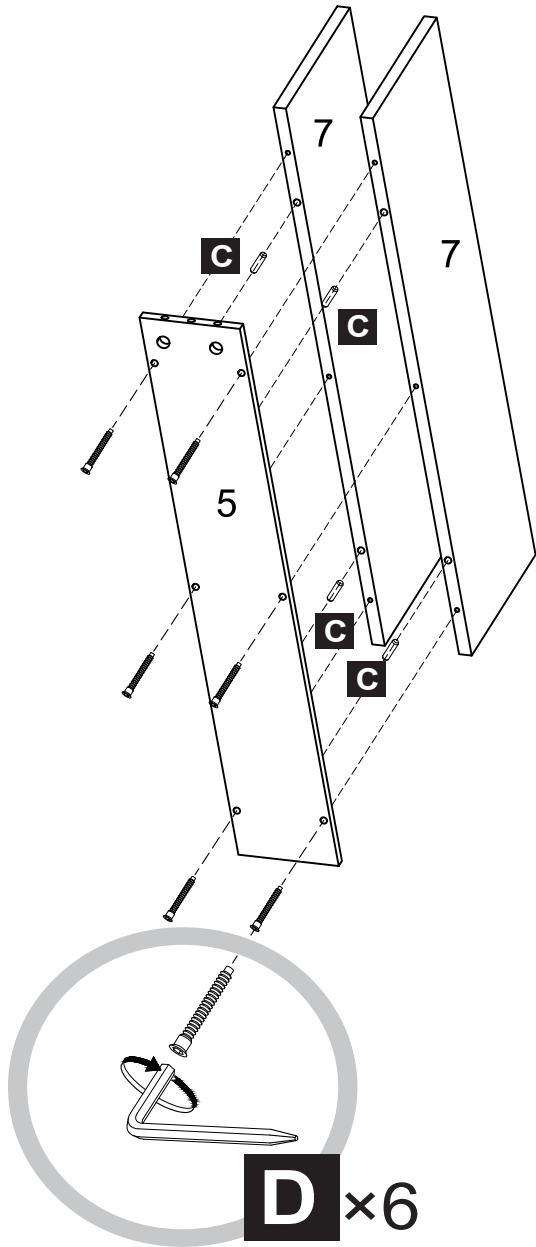
	<b>A × 8</b> M6 × 35		<b>B × 8</b> M15 × 10		<b>C × 24</b> M6 × 30		<b>D × 32</b> M5 × 40
	<b>E × 6</b> 40 × 40 × 5		<b>F × 16</b>		<b>G × 64</b> Ø3.5 × 20		<b>H × 4</b> M6 × 12
	<b>J × 32</b> Ø20		<b>K × 1</b> M4		<b>L × 1</b> M3		

## MINIFIX POSITION

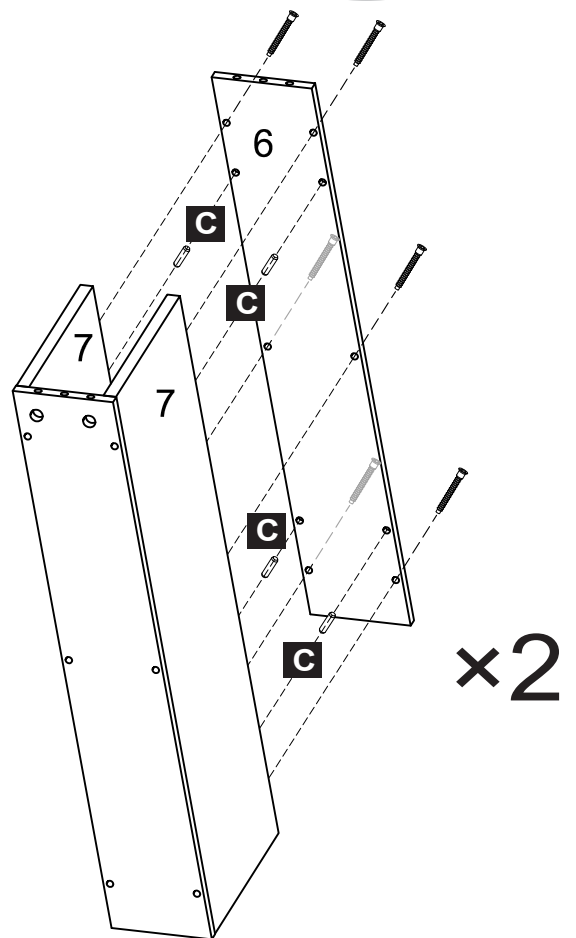
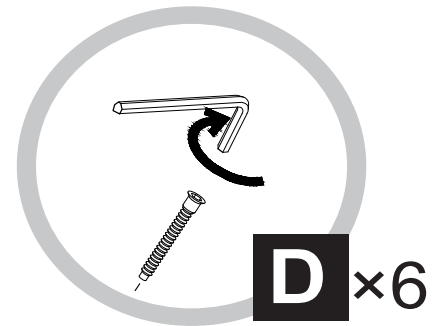


1

	<b>C</b> ×16		<b>D</b> ×24
	M6×30		M5×40
			<b>L</b> ×1
			M3

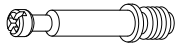

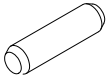


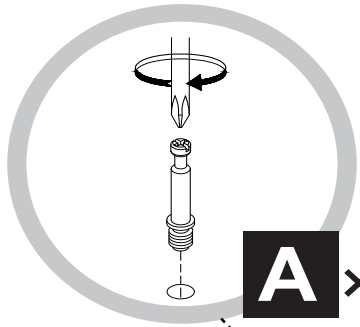
×2



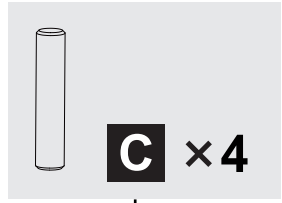
×2

2

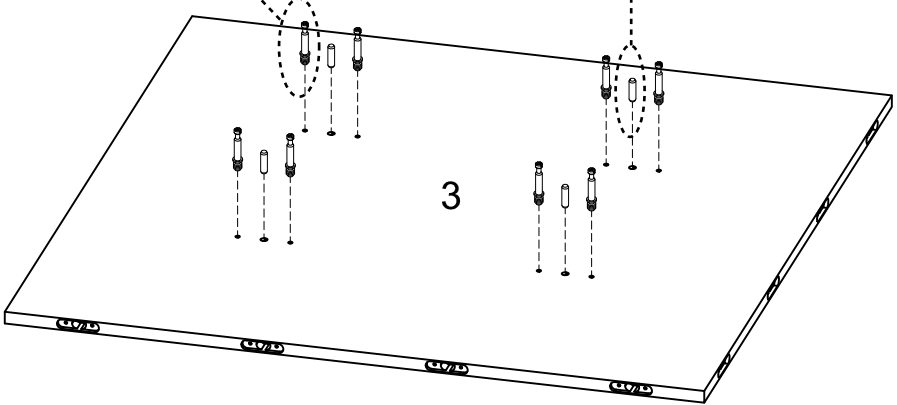
	<b>A</b> × 8 M6×35		<b>B</b> × 4 M15×10
			<b>C</b> × 4 M6×30
			



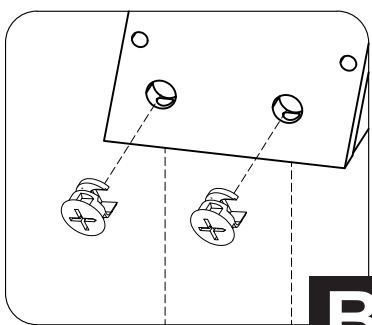
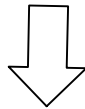
**A** × 8



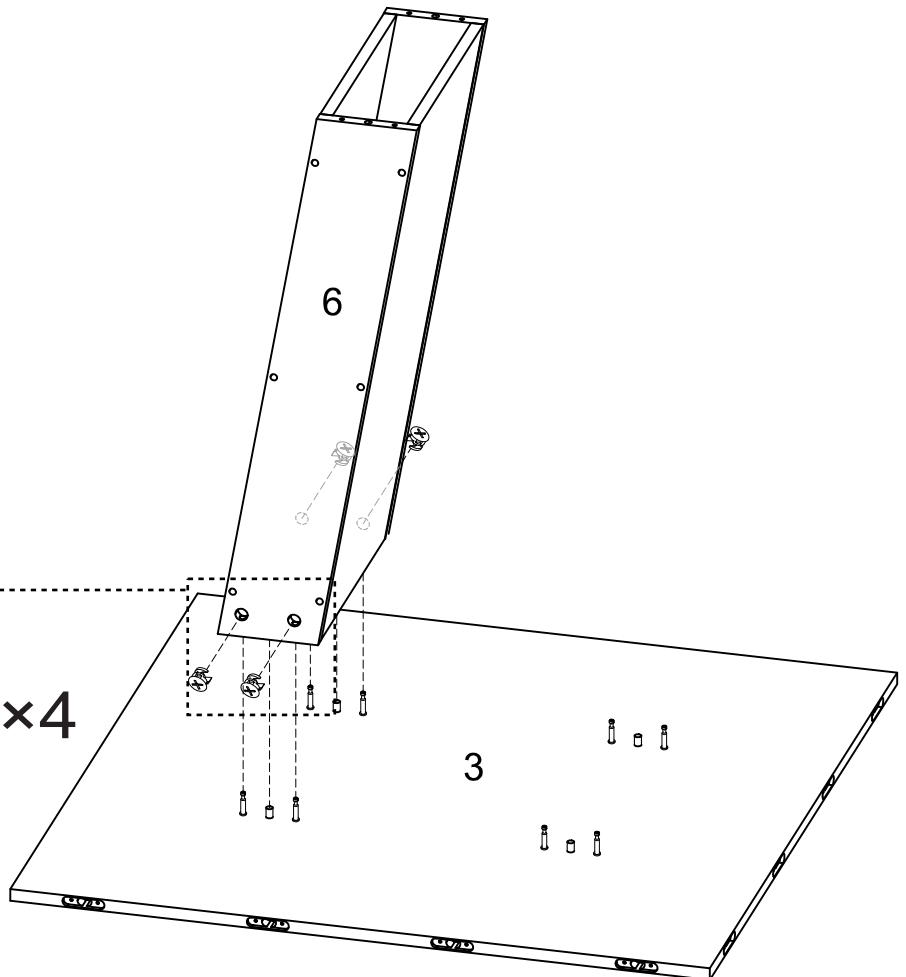
**C** × 4



3




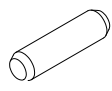

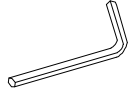
**B** × 4

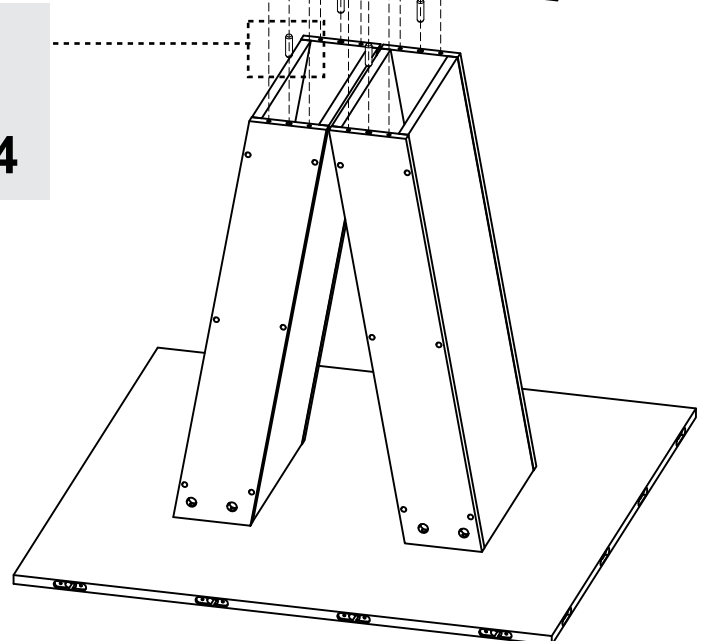
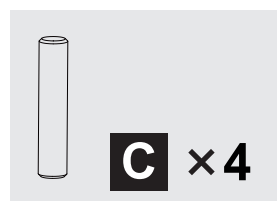
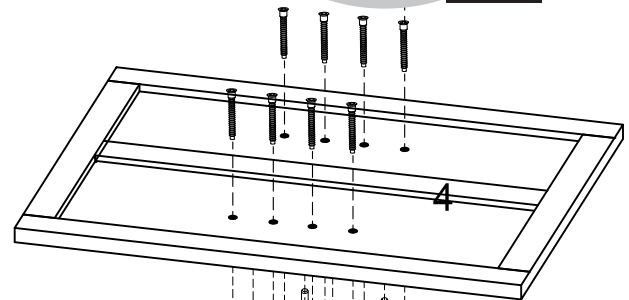
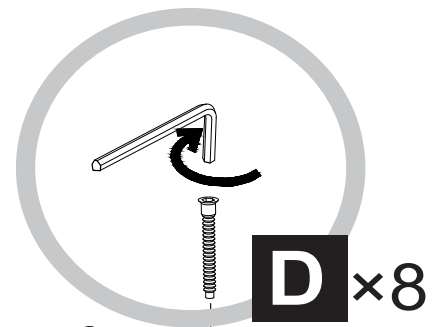
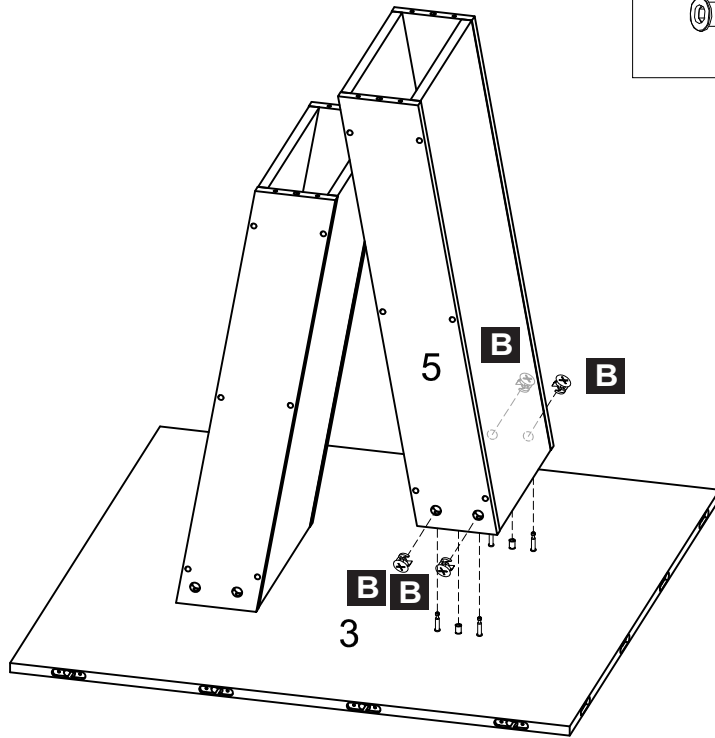


6

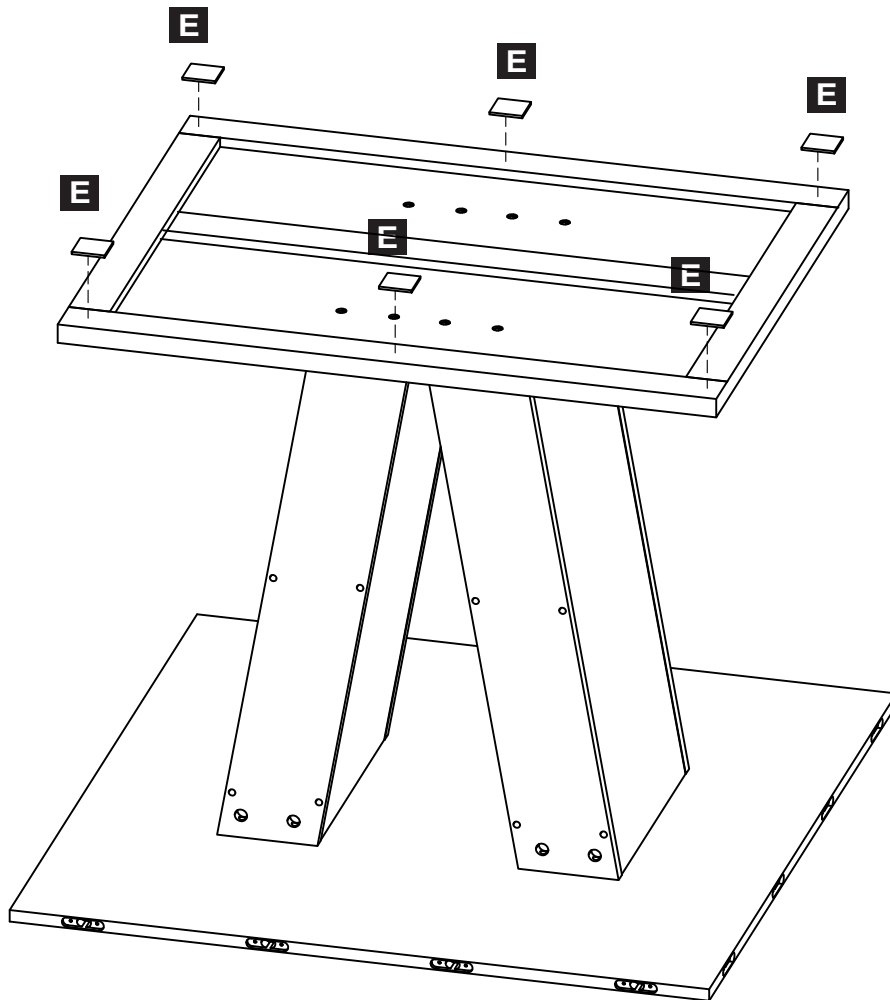
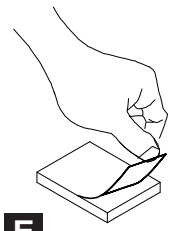
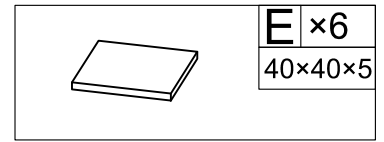
3

3



	<b>B</b> × 4 M15×10		<b>C</b> × 4 M6×30
	<b>D</b> × 8 M5×40		<b>L</b> × 1 M3

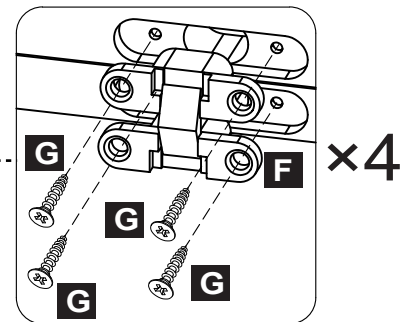
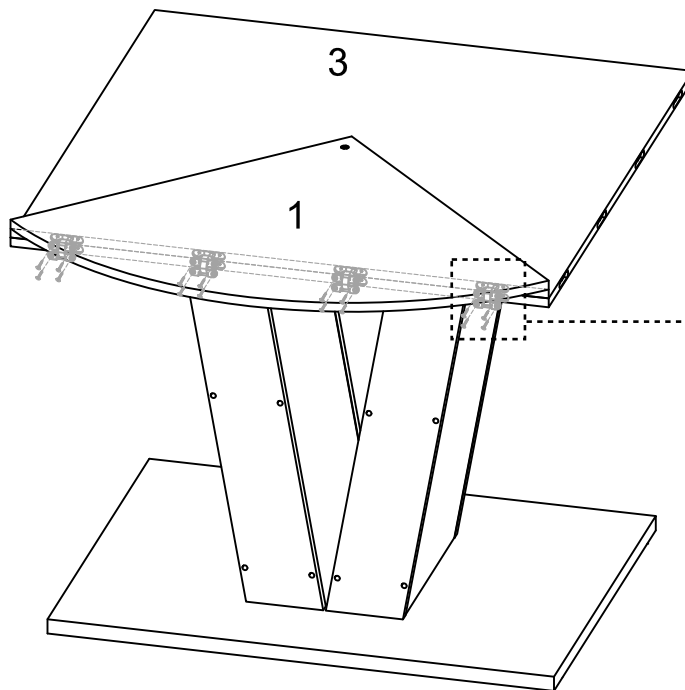
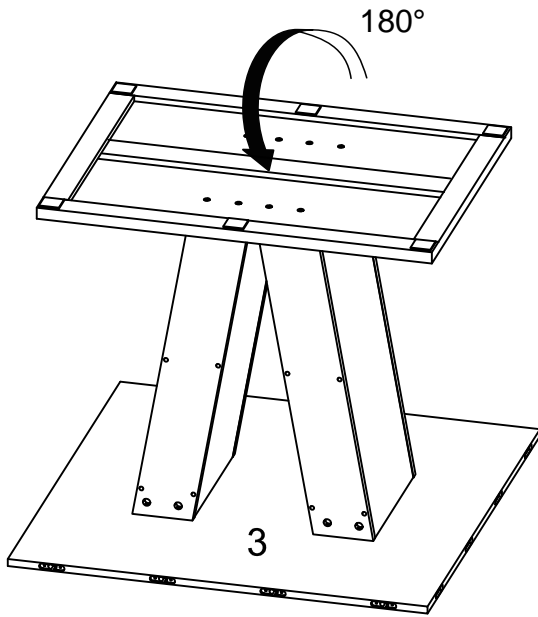


5

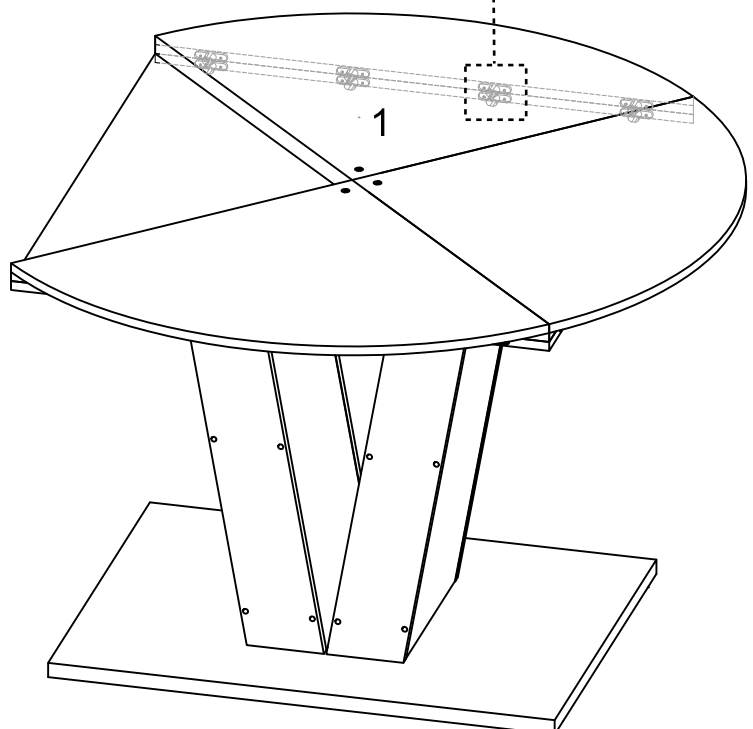
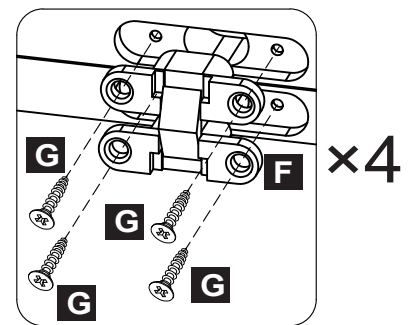
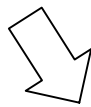
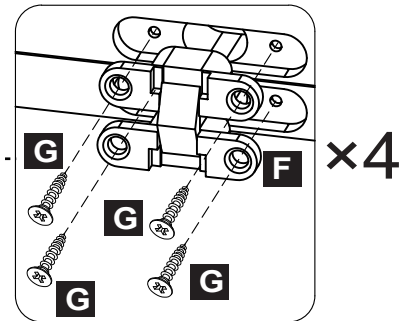
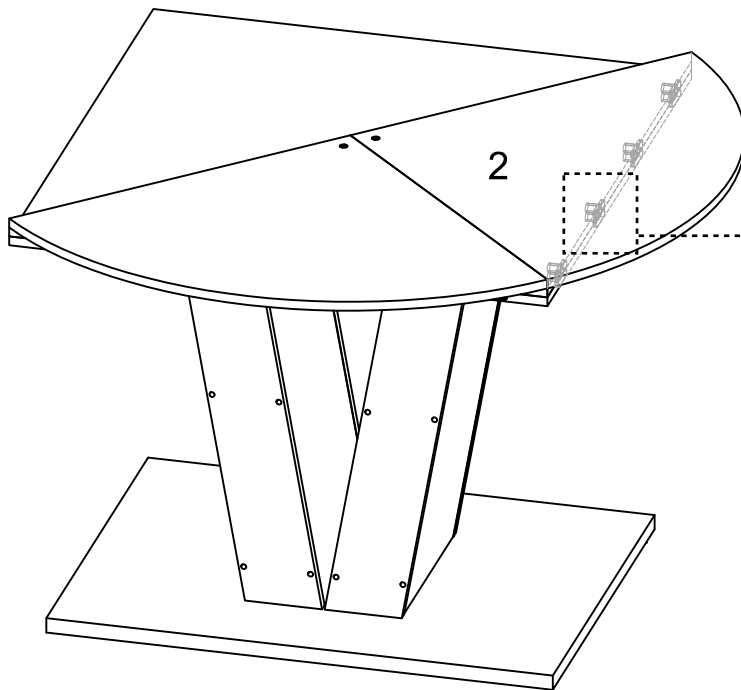
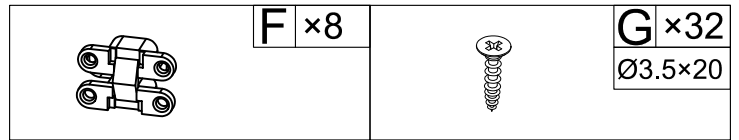




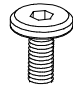
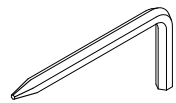
5

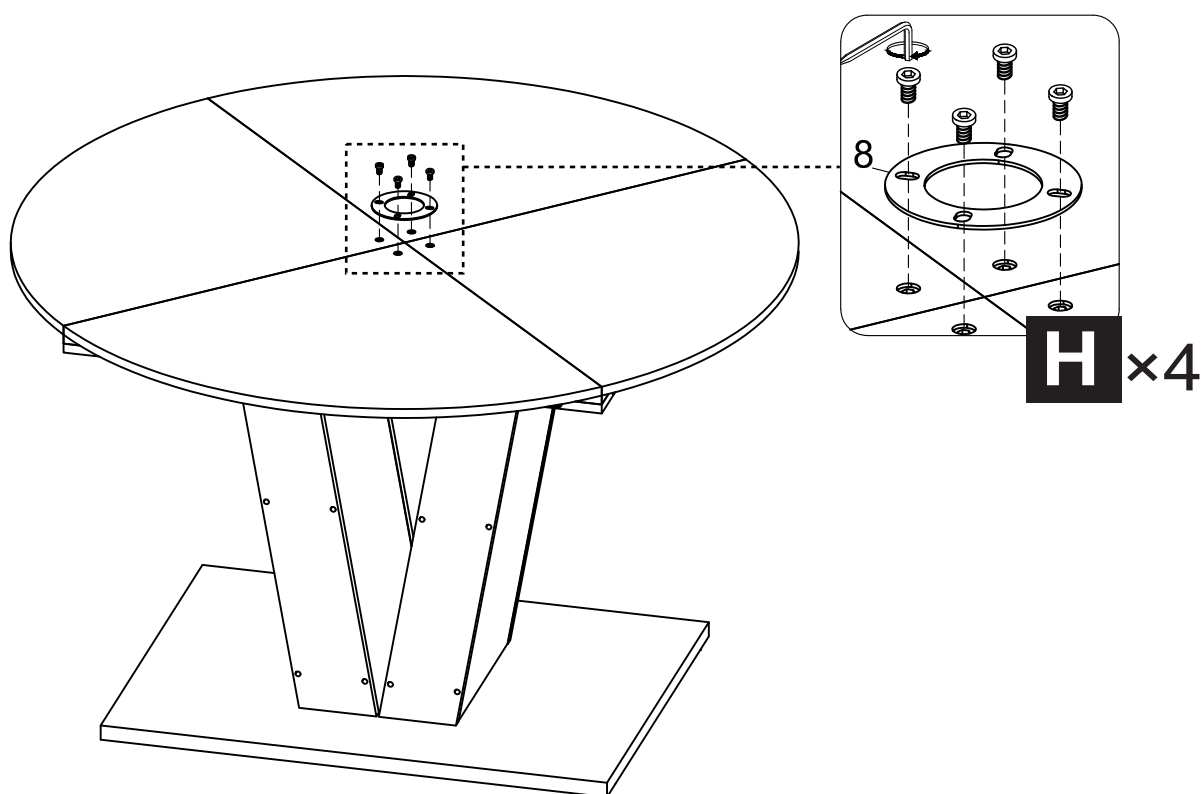
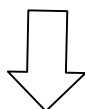
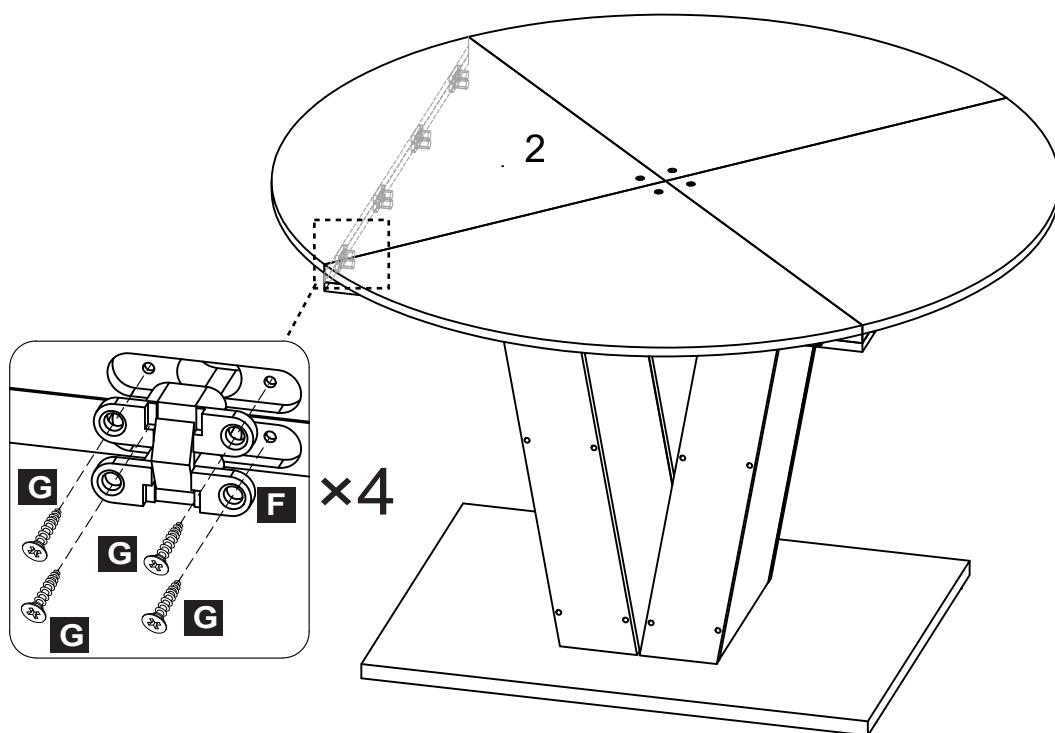
	<b>F</b> ×4		<b>G</b> ×16 Ø3.5×20
---	-------------	---	-------------------------

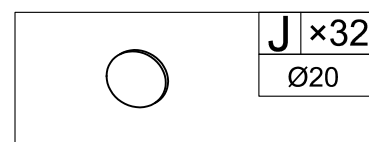


6

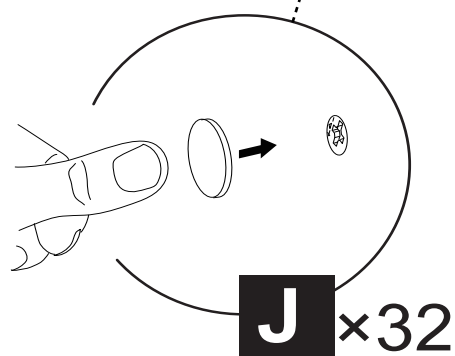
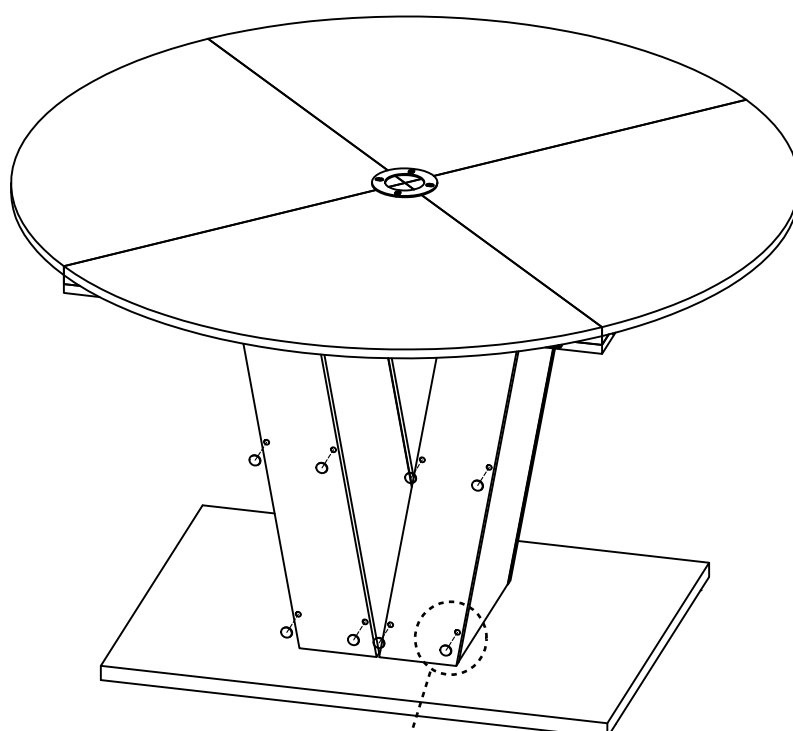


	<b>F</b> × 4		<b>G</b> × 16 Ø3.5×20
	<b>H</b> × 4 M6×12		<b>K</b> × 1 M4





style:A



Transform styles A and B according to your needs

