

ASSEMBLY INSTRUCTIONS



Counter Height Chair

ASSEMBLY INSTRUCTIONS

ASSEMBLY TIPS:

1. Remove hardware from box and sort by size.
2. Please check to see that all hardware and parts are present prior to start of assembly.
3. Please follow attached instructions in the same sequence as numbered to assure fast & easy assembly.

WARNING!





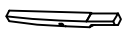



1. Don't attempt to repair or modify parts that are broken or defective. Please contact the store immediately.
2. This product is for home use only and not intended for commercial establishments.








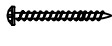
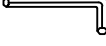
ASSEMBLY TIME

15 MINUTES

PART IDENTIFICATION

AV	BACK FRAME		1PC
BV	SEAT CUSHION WITH FRAME		1PC
CV	LEFT FRONT LEG		1PC
DV	RIGHT FRONT LEG		1PC
EV	FRONT STRETCHER		1PC
FV	SIDE STRETCHER		2PCS

HARDWARE IDENTIFICATION

1	LONG BOLT (Ø5/16" x 3-1/4" - RBW)		4PCS
2	MEDIUM BOLT (Ø5/16" x 2-1/4" - RBW)		4PCS
3	SHORT BOLT (Ø5/16" x 1-3/4" - RBW)		2PCS
4	LOCK WASHER (Ø5/16" - RBW)		10PCS
5	FLAT WASHER (Ø5/16" - RBW)		10PCS
6	PAN HEAD SCREW (Ø4 x1-1/2" - RBW)		6PCS
7	ALLEN WRENCH (4MM - RBW)		1PC

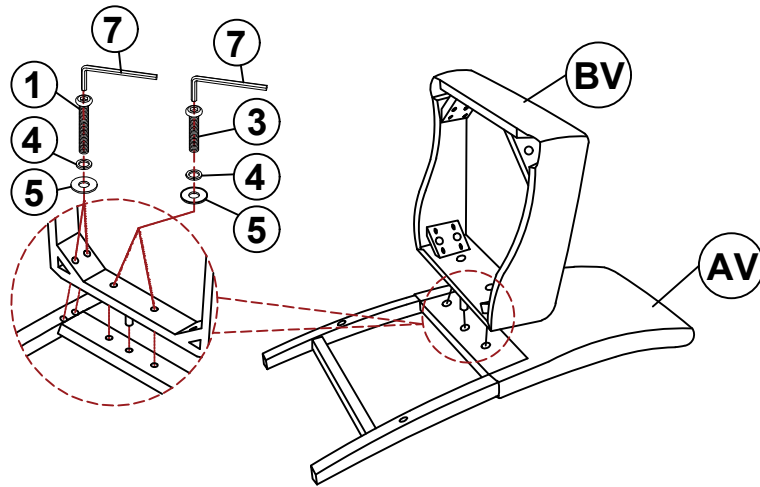
NOTE:

Quantities shown are for one chair.

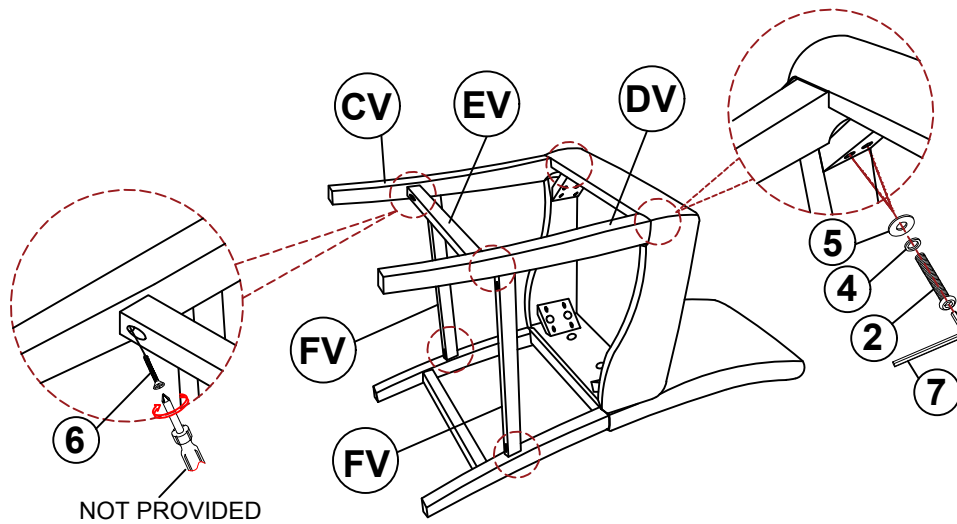
Phillips head screw driver is required in the assembly process; however, manufacturer does not provide this item.

ASSEMBLY INSTRUCTIONS

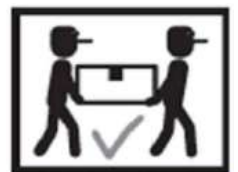
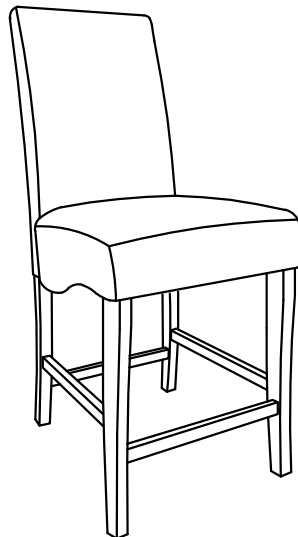
STEP 1

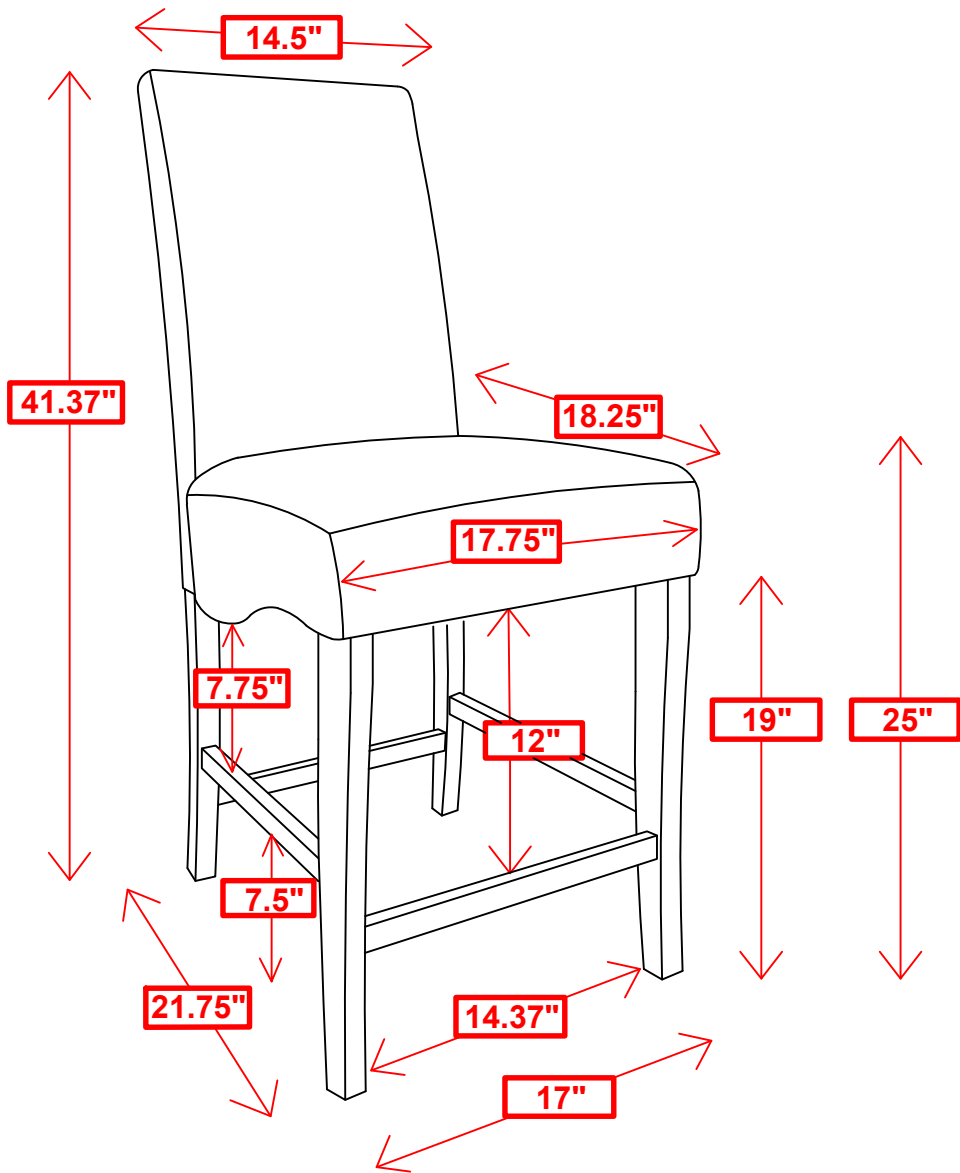


STEP 2



STEP 3 **COMPLETE**





Note: Dimension tolerance $\pm 5\%$