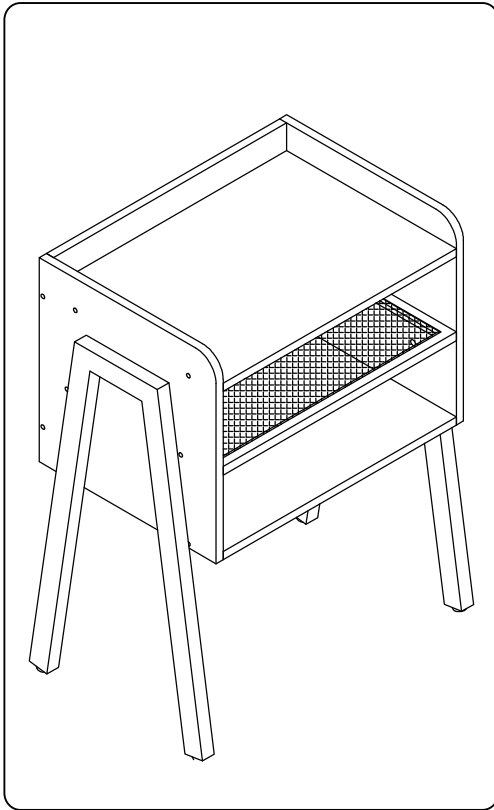


Assembly Instructions

Tips!

Check all the components & screws before assembly.



Components					
1		1	5		1
2		1	6		1
3		1	7		1
4		1	8		1
Screws & Tools					
A		12	D		4
B		10	E		1
C		12			

