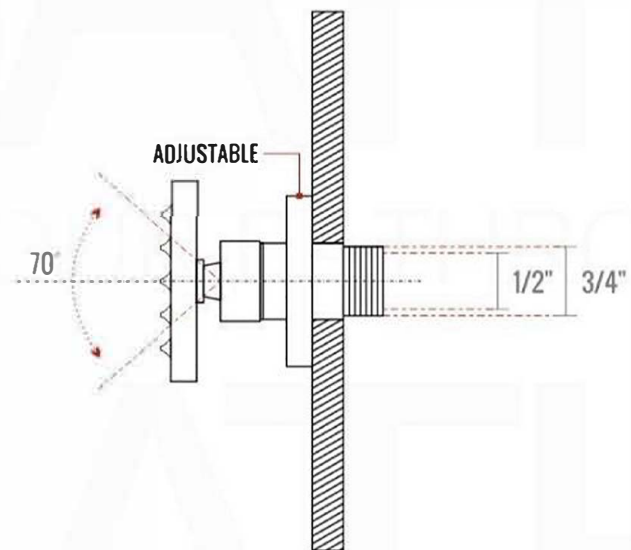
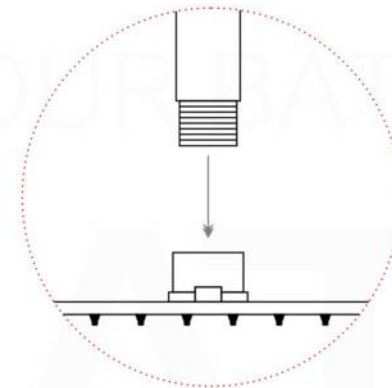
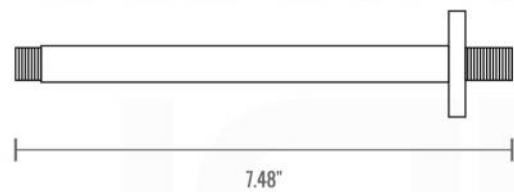


PLATE

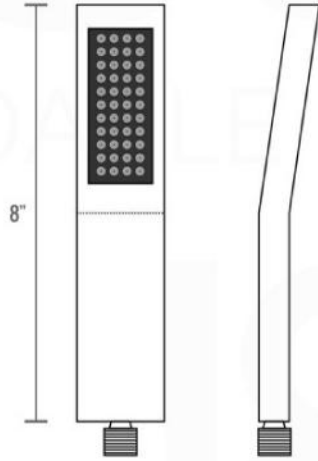


6" CEILING BAR

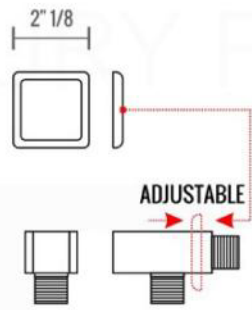


HAND SHOWER SET

HAND HELD

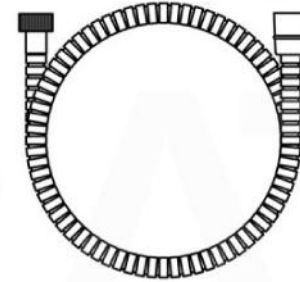


PLATE

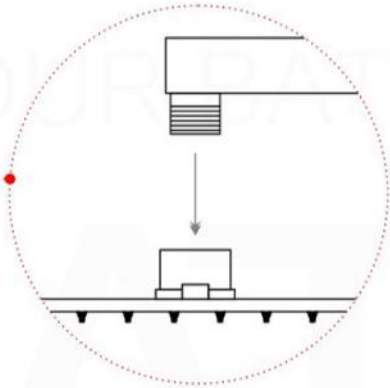
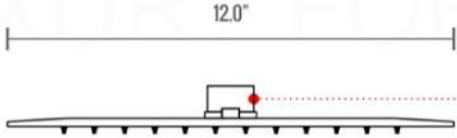
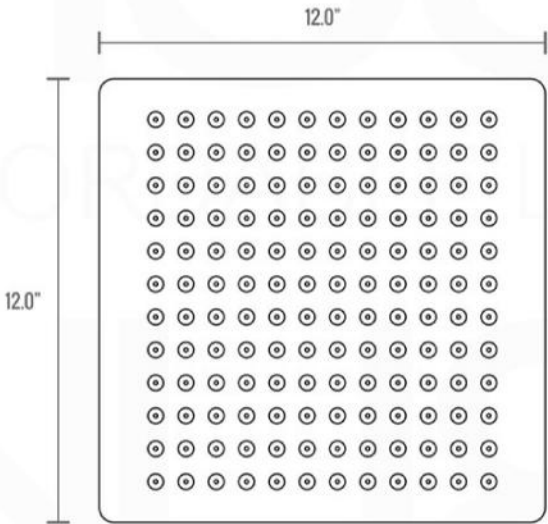


WATER OUTLET ADAPTOR

FLEXIBLE HOSE

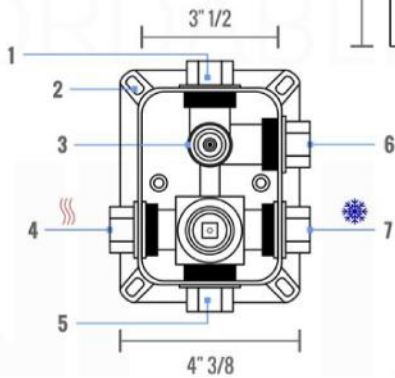


RAIN SHOWER HEAD

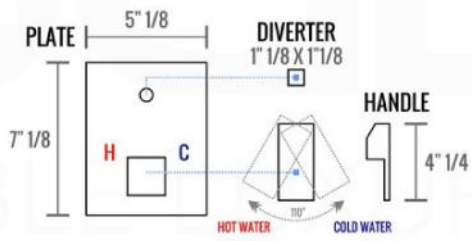


3 WAY VALVE

FRONT VIEW



- 1 - UPPER END OUTLET PIPE INTERFACE
- 2 - MOUNTING FIXED HOLE
- 3 - DIVERTER
- 4 - **HOT WATER** PIPE INTERFACE
- 5 - LOWER END OUTLET INTERFACE
- 6 - HANDHELD SHOWER CONNECTION PORT
- 7 - **COLD WATER** PIPE INTERFACE

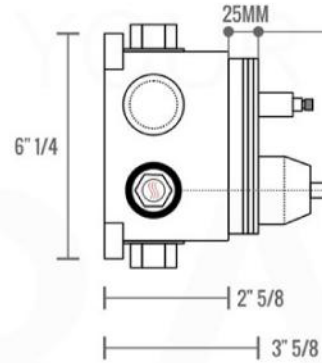


PROTECTION COVER



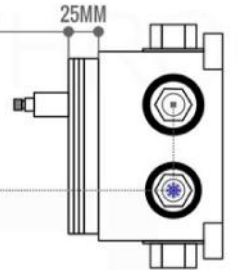
TEMPORARILY SEAL CAPS

LEFT VIEW



RIGHT VIEW

THIS LINE ON:
SAME SURFACE AS RAW WALL WHEN SET IN.
CUT TO BE ON SAME SURFACE OF CERAMIC | EXTRA 25MM FOR CERAMIC



2 WAY VALVE

CONFIG.01

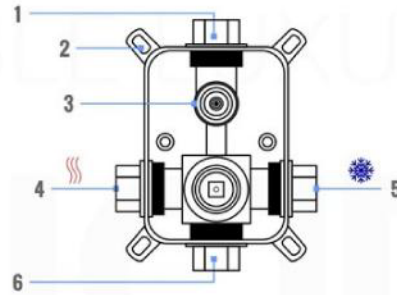
RAIN SHOWER W/HANDHELD

CONFIG.02

RAIN SHOWER W/TUB FILLER

CONFIG.03

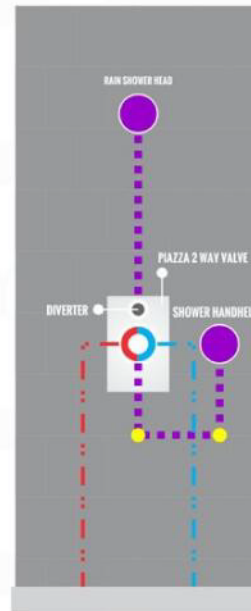
RAIN SHOWER W/BODY JETS



- 1 - UPPER END OUTLET PIPE INTERFACE
- 2 - MOUNTING FIXED HOLE
- 3 - DIVERTER
- 4 - HOT WATER PIPE INTERFACE
- 5 - COLD WATER PIPE INTERFACE
- 6 - LOWER END OUTLET INTERFACE

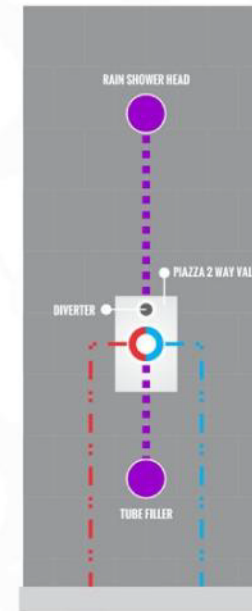
CONFIG.01

RAIN SHOWER W/HANDHELD



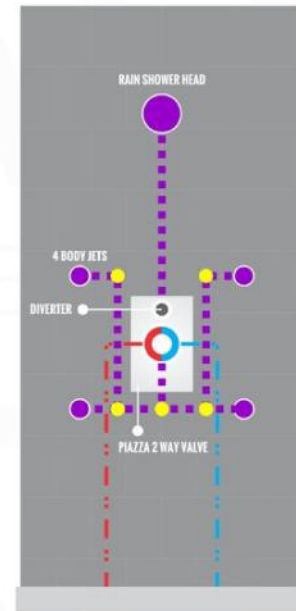
CONFIG.02

RAIN SHOWER W/TUB FILLER



CONFIG.03

RAIN SHOWER W/BODY JETS



PIAZZA 3 WAY VALVE (ASV143)

CONFIG.01

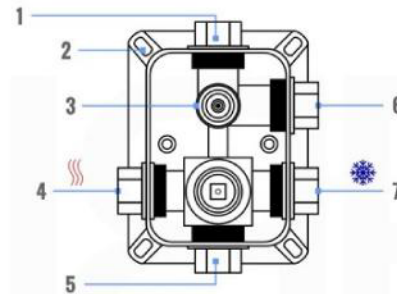
RAIN SHOWER W/HANDHELD AND TUB FILLER

CONFIG.02

RAIN SHOWER W/HANDHELD AND MESSAGE BODY JETS

CONFIG.03

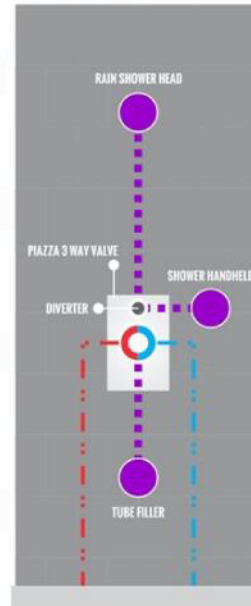
RAIN SHOWER W/TUBE FILLER AND MESSAGE BODY JETS



- 1 - UPPER END OUTLET PIPE INTERFACE
- 2 - MOUNTING FIXED HOLE
- 3 - DIVERTER
- 4 - HOT WATER PIPE INTERFACE
- 5 - LOWER END OUTLET INTERFACE
- 6 - HANDHELD SHOWER CONNECTION PORT
- 7 - COLD WATER PIPE INTERFACE

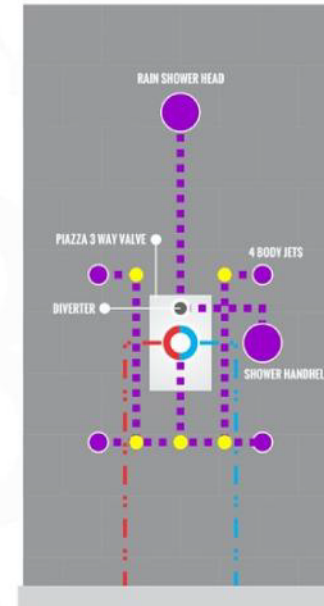
CONFIG.01

RAIN SHOWER W/HANDHELD AND TUB FILLER



CONFIG.02

RAIN SHOWER W/HANDHELD AND MESSAGE BODY JETS



CONFIG.03

RAIN SHOWER W/TUBE FILLER AND MESSAGE BODY JETS

