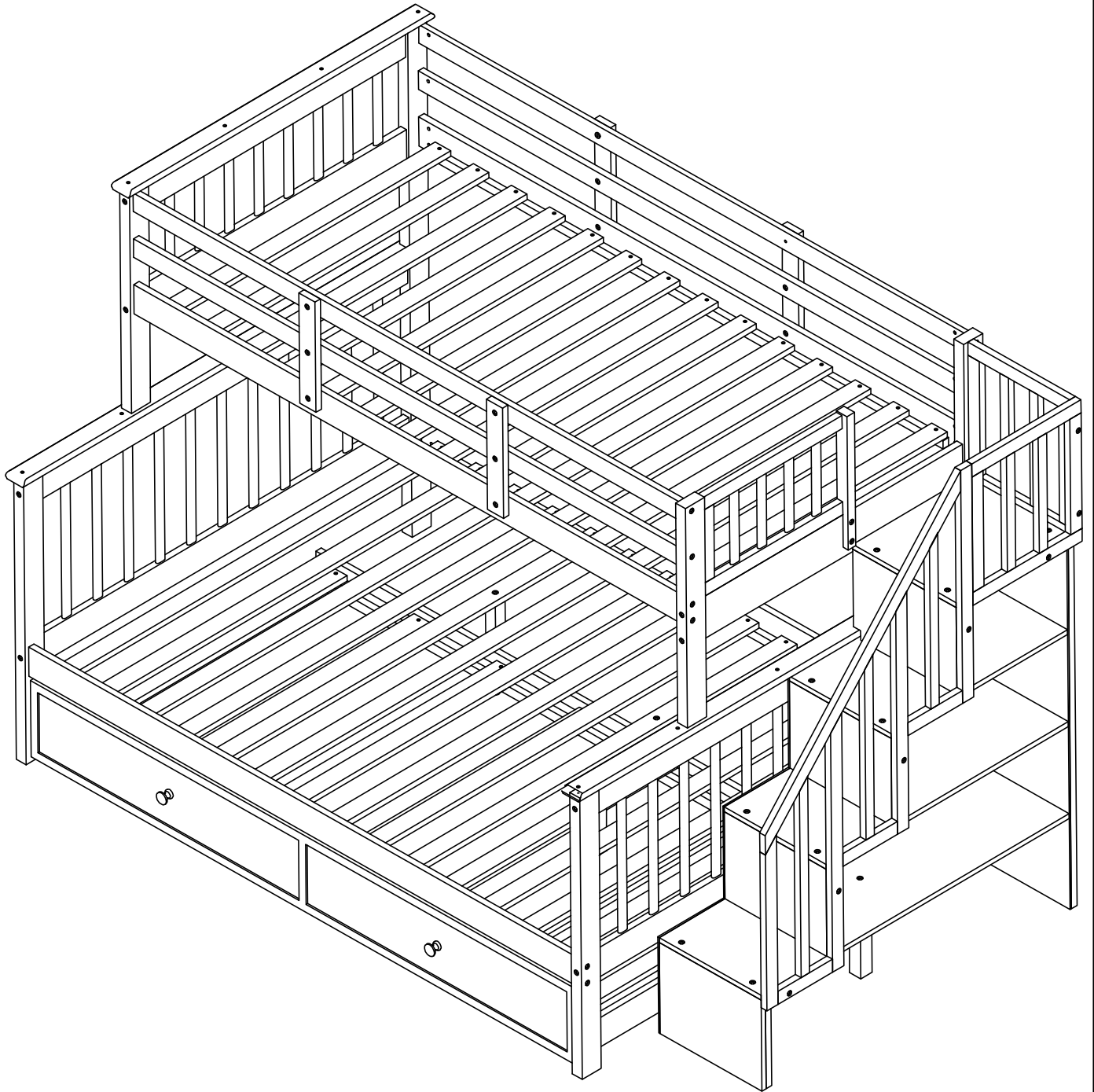


# ASSEMBLY INSTRUCTION

1



ú

# ! SAFETY WARNINGS !




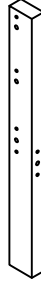
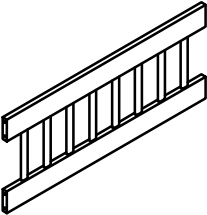
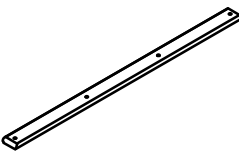

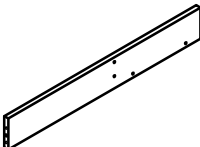




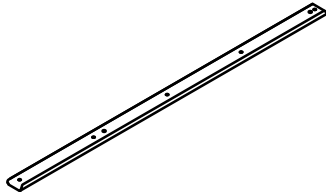
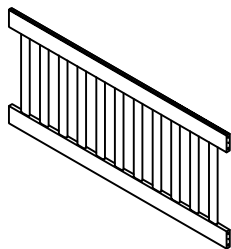
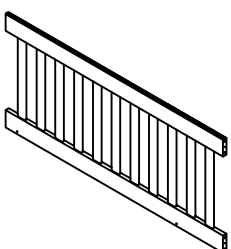

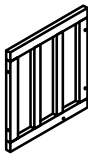
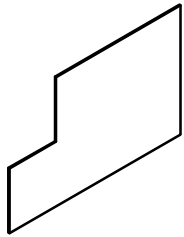
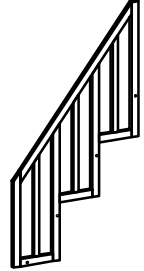
1. This bed is designed for use only mattress(es) meeting the following specifications on the upper bunk, and lower bunk:

<b>Bed Type</b>	<b>Length</b>	<b>Width</b>	<b>Thickness</b>
<i>Twin Standard</i>	<i>74" - 75"</i>	<i>38 1/2"</i>	<i>8" max</i>
<i>Full Standard</i>	<i>74" - 75"</i>	<i>53 1/2 "</i>	<i>8" max</i>

2. Replacement parts, including additional guardrails, may be obtained from any of our (GIGACLOUD TECHNOLOGY(USA) INC) dealers
3. Follow the information on the warnings appearing on the upper bunk bed end structure and on the carton. Do not remove warning label from bed.
4. Always use the recommended size mattresses or mattress supports, or both, to help prevent the likelihood of entrapment or falls.
5. Surface of the mattress must be at least 5" (127 mm) below the upper edge of guardrails.
6. Do not allow children under 6 years of age to use the upper bunk.
7. Periodically check and ensure that the guardrail, ladder, and other components are in their proper position, free from damage, and that all connectors are tight.
8. Do not allow horseplay on or under the bed and prohibit jumping on the bed
9. Always use the ladder for entering and leaving the upper bunk.
10. Do not use substitute parts. Contact the manufacturer or dealer for replacement parts.
11. Use of a night light may provided added safety precaution for a child using the upper bunk.
12. Always use guardrails on both long sides of the upper bunk. If the bunk bed will be placed next to the wall, the guardrail that runs the full length of the bed should be placed against the wall to prevent entrapment between the bed and wall.
13. The use of water or sleep flotation mattresses is prohibited.
14. **STRANGULATION HAZARD** – Never attach or hang items to any part of the bunk bed that are not designed for use with the bed; for example, but not limited to, hook, belts and jump ropes.
15. Keep these instructions for future reference

# PARS LIST & HARDWARE

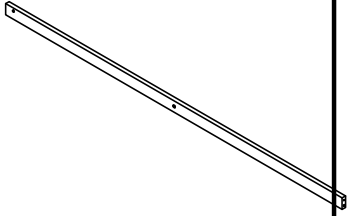
3

<p>1.1</p>  <p>Upper left leg (front ) 1pcs</p>	<p>1.2</p>  <p>Upper left leg (Back ) 1pcs</p>	<p>2.1</p>  <p>Upper Right leg (Front ) 1pcs</p>	<p>2.2</p>  <p>Upper Right leg (Back) 1pcs</p>
<p>3</p>  <p>Upper side Fame 1pc</p>	<p>4</p>  <p>Top horizontal bar on the left 1pc</p>	<p>5</p>  <p>Upper side panels right 1pcs</p>	<p>6</p>  <p>Horizontal bar on the top right 1pc</p>
<p>10.1</p>  <p>Below left legs (Front) 1 pcs</p>	<p>10.2</p>  <p>Below left legs (Back) 1 pcs</p>	<p>10.3</p>  <p>Below Right legs (Front) 1 pcs</p>	<p>10.4</p>  <p>Below Right legs (Back) 1 pcs</p>
<p>11</p>  <p>The top horizontal bar of the lower bed 2pcs</p>	<p>12.1</p>  <p>Below side panel(left) 1pcs</p>	<p>12.2</p>  <p>Below side panel(right) 1pcs</p>	<p>15</p>  <p>Center Legs 2pcs</p>
<p>16</p>  <p>Stair railing above 1pc</p>	<p>29</p>  <p>Mid side panel 1pc</p>	<p>31</p>  <p>Stair railing below 1pc</p>	

# PARS LIST

4

7



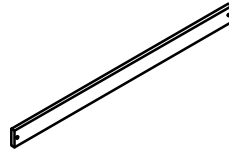
Longguardrail (Back)-4pcs

7.1



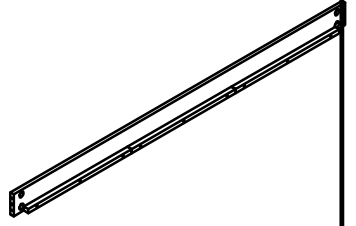
Verticalguardrail-4pcs

8



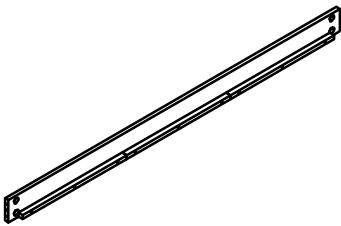
Short Slats 7pcs

9



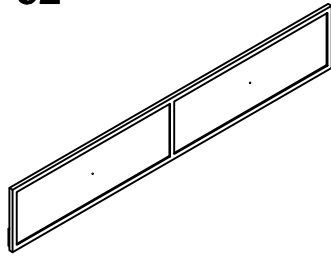
Upper side rail  
(front and back) 2pcs

13



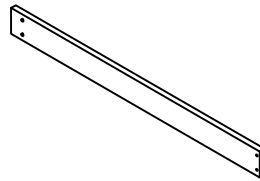
Lower side rails  
(front and back) 2pcs

32



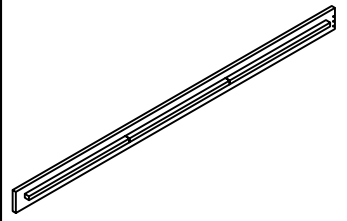
Front Trundle 1pc

33



SideTrundle 2pc

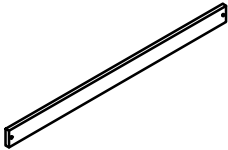
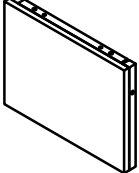
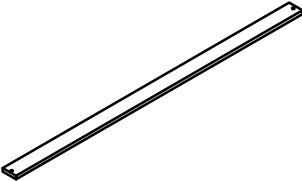
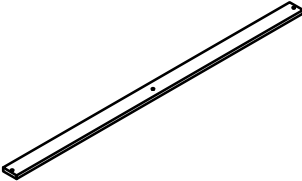
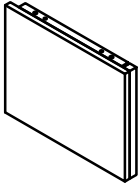

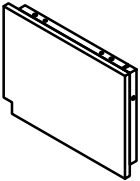
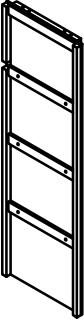

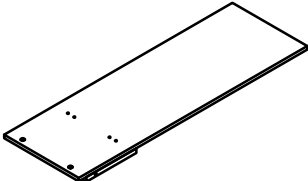
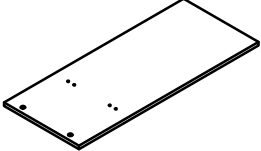
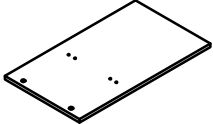
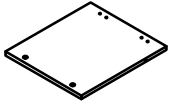
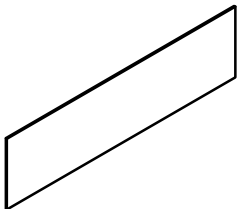
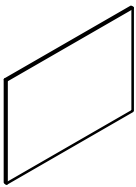
34



Back Trundle 1pc

# PARS LIST

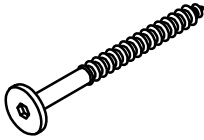
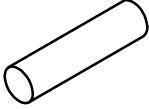
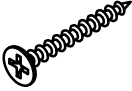



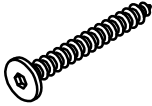
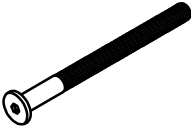

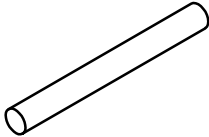









5

<p>8</p>  <p>Short Slats 14pcs</p>	<p>14</p>  <p>Mid Boards 2pcs</p>	<p>17</p>  <p>Long Slats 12pcs</p>	<p>18</p>  <p>Long Slats with mid hole 2pcs</p>
<p>19</p>  <p>Lower Board 1pc</p>	<p>20</p>  <p>Stair railing above 1pc</p>	<p>21</p>  <p>Upper board 1pc</p>	<p>22</p>  <p>Back Fame 1pc</p>
<p>23</p>  <p>Foot support 1pc</p>	<p>24</p>  <p>Lower board 1pc</p>	<p>25</p>  <p>Lower mid board 1pc</p>	<p>26</p>  <p>Upper mid board 1pc</p>
<p>27</p>  <p>Upper board 1pc</p>	<p>28</p>  <p>Lower side panel 1pc</p>	<p>30</p>  <p>Upper side panel 1pc</p>	

# HARDWARE & ILLUSTRATION

6

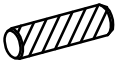
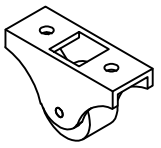
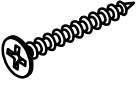
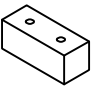
~~ Note : Do Not Fully Tighten Screws until Fully Assembled ~~

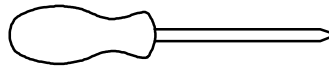
<p><b>A</b></p>  <p>Ø1/4" x 100 mm Hexagonal bolts catch wood 16pcs</p>	<p><b>B</b></p>  <p>Wood dowel Ø10 x 40 mm 42pcs</p>	<p><b>C</b></p>  <p>Ø8 x 30 mm Wood Screws 88pcs</p>	<p><b>D</b></p>  <p>Ø1/4" x 50 mm Hexagonal bolts catch wood 2pcs</p>
<p><b>E</b></p>  <p>Ø1/4" x 25 mm Hex-Head bolts 36pcs</p>	<p><b>F</b></p>  <p>M6x18 mm Canopy head through (14pcs)</p>	<p><b>G</b></p>  <p>Ø1/4" x 60 mm Hexagonal bolts catch wood 4pcs</p>	<p><b>H</b></p>  <p>Ø1/4" x 80 mm Hex-Head bolts 24pcs</p>
<p><b>Z</b></p>  <p>Ø1/4" x 30 mm Hex-Head bolts 4pcs</p>	<p><b>J</b></p>  <p>Ø12 x 110 mm Wood dowel 4pcs</p>	<p><b>L</b></p>  <p>Ø6 x 15 mm Wood Screws 38pcs</p>	<p><b>M</b></p>  <p>Ø1/4" x 50 mm Hexagonal bolts catch wood 2pcs</p>
<p><b>N</b></p>  <p>Ø1/4" x 35 mm Hex-Head bolts 13pcs</p>	<p><b>P</b></p>  <p>Allen Key 1pc</p>	<p><b>Q</b></p>  <p>Ø1/4" x 13 mm Horizontal-Hole bolts 28pcs</p>	<p><b>U</b></p>  <p>Ø8 x 25 mm Wood dowel 22pcs</p>
<p><b>R</b></p>  <p>Wood Handle 2pcs</p>	<p><b>S</b></p>  <p>Ø1/6" x 25 mm 2pcs</p>	<p><b>W</b></p>  <p>Ø1/4" x 70 mm Hex-Head bolts 4pcs</p>	

# HARDWARE & ILLUSTRATION

7

~~ Note : Do Not Fully Tighten Screws until Fully Assembled ~~

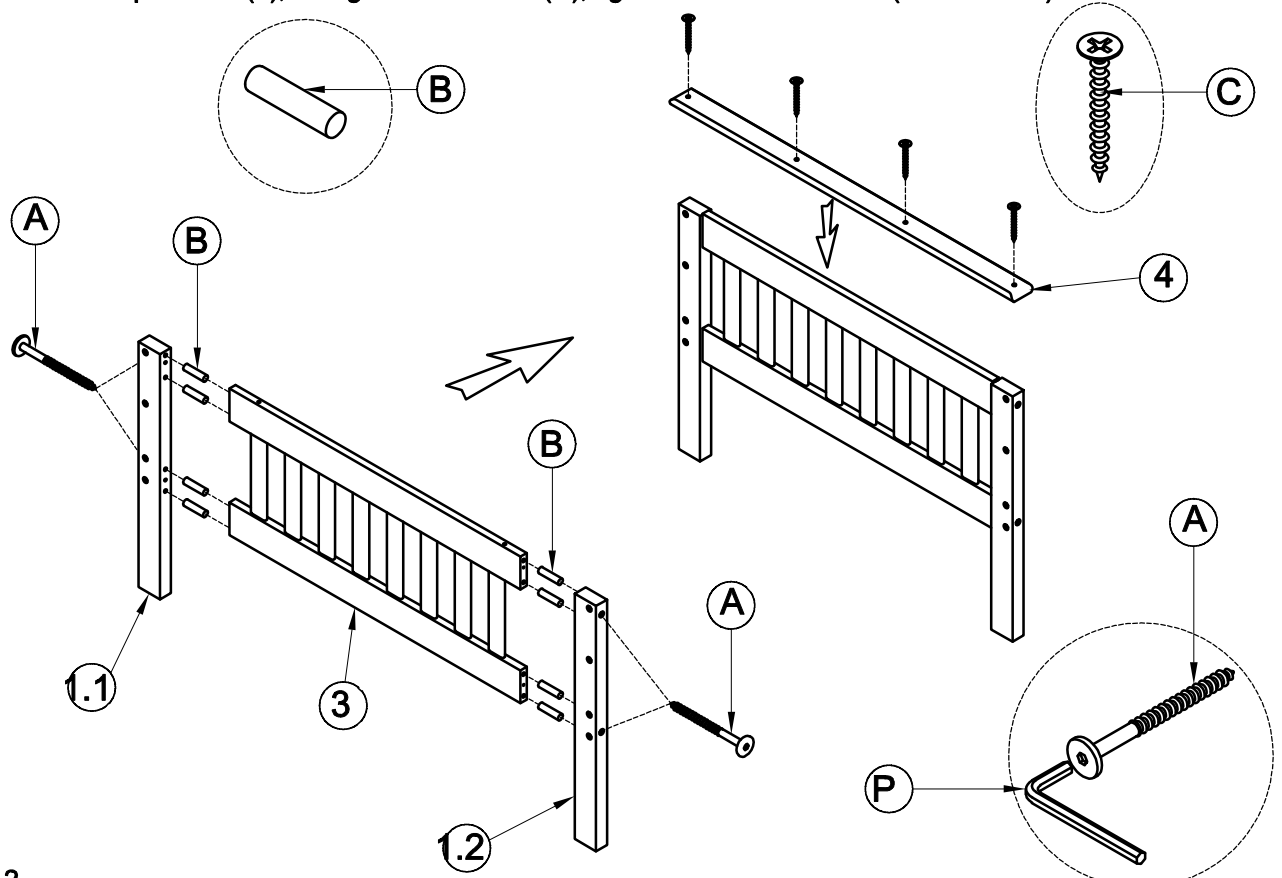
<p>K</p>  <p>Ø8 x 30 mm Wood dowel 2pcs</p>	<p>V</p>  <p>Wheels 4pcs</p>	<p>Y</p>  <p>M4 x 20 mm Wood Screws 8pcs</p>	<p>O</p>  <p>Rail - 2pcs</p>
--	---	--	---



Assembly Tools Required (Not Included)

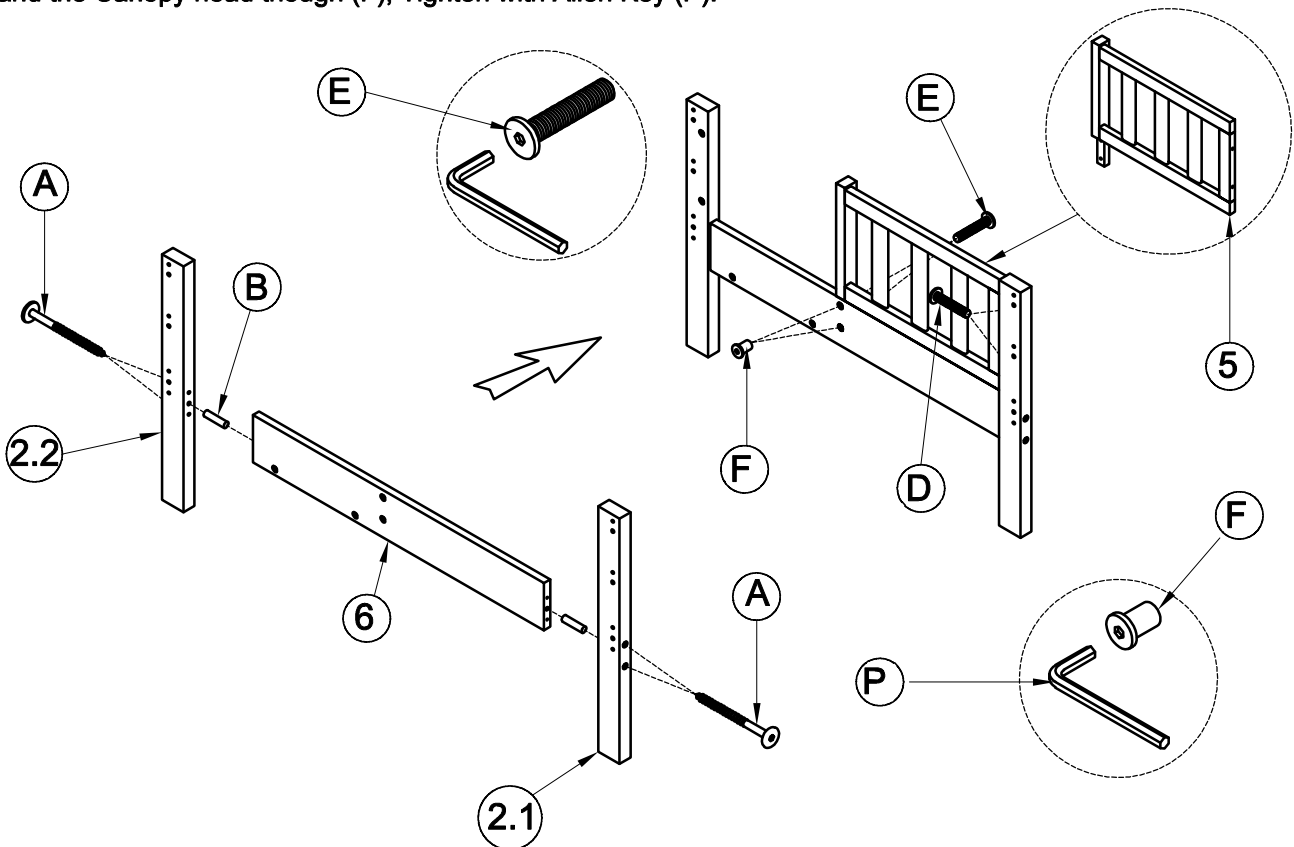
**STEP 1**

1. Align and fix the Upper left leg (1.1&1.2), and the Upper side frame (3), using the Hexagonal bolts catch wood (A), and the Wood dowel (B), Tighten with Allen Key (P).
2. Align and fix top left bar (4), Using Wood Screws (C), tighten with screw driver (not included)



**STEP 2**

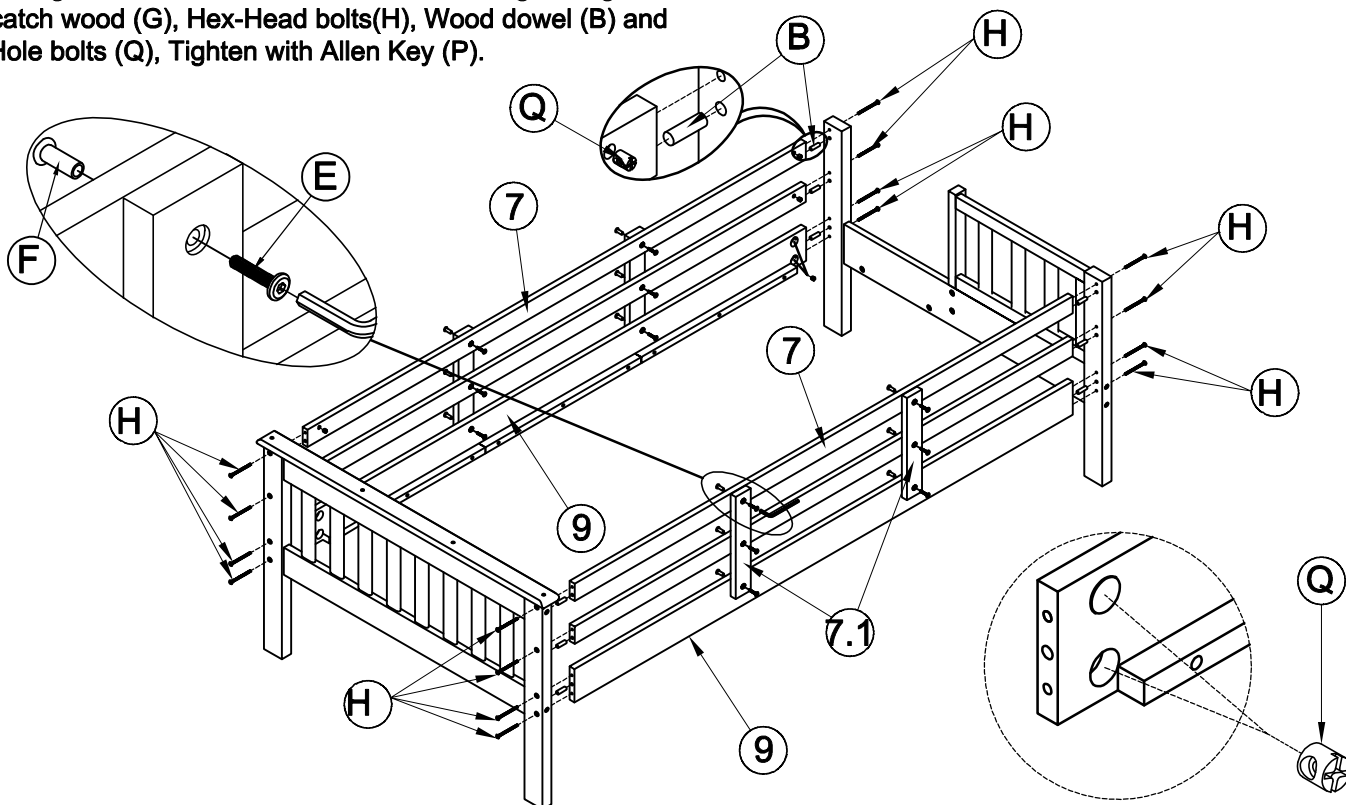
1. Align and fix the Upper right leg (2.1&2.2), and the Horizontal bar on the top right (6), using the Hexagonal bolts catch wood (A), the Wood dowel (B), Tighten with Allen Key (P).
2. Align and fix the Upper side panels right (5), using the Hexagonal bolts catch wood (D), the Hex-Head bolts (E) and the Canopy head though (F), Tighten with Allen Key (P).



### STEP 3

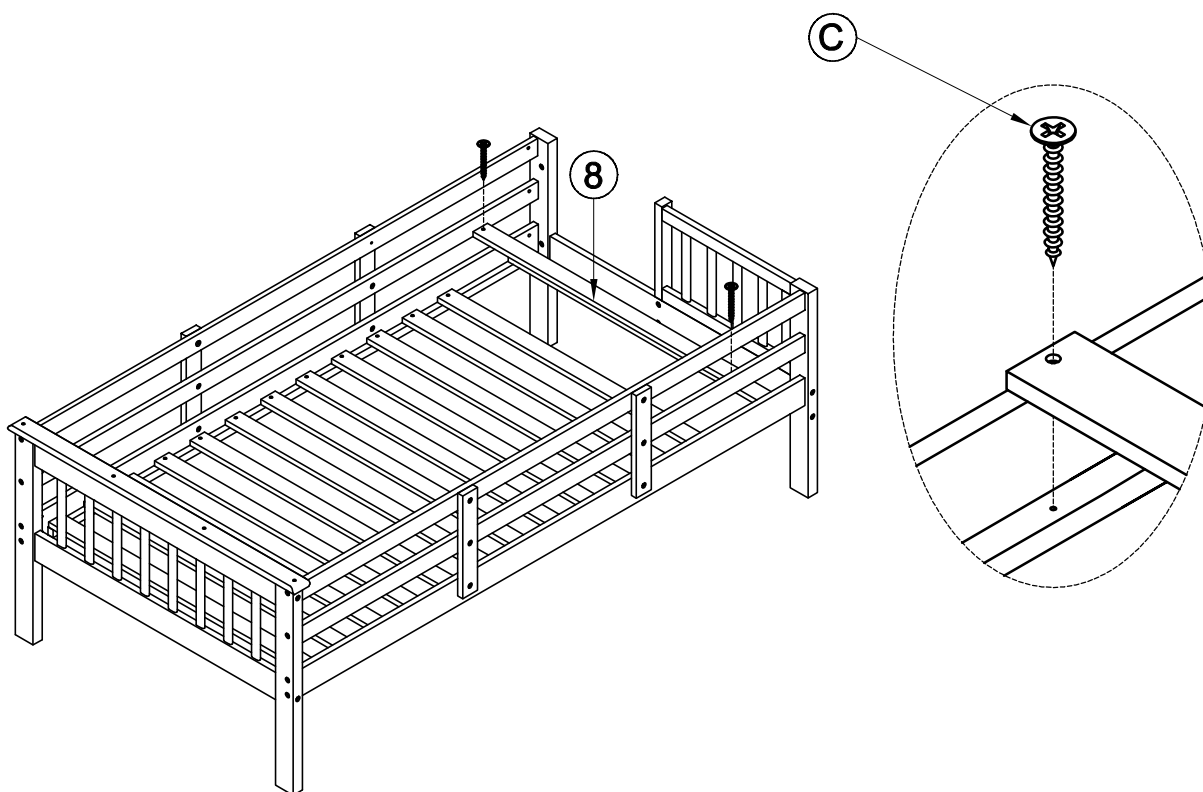
Align and fix the support frames (7) and the Upper side rail (9), with the right and left side of the headboard, using Hexagonal bolts catch wood (G), Hex-Head bolts(H), Wood dowel (B) and Hole bolts (Q), Tighten with Allen Key (P).

9



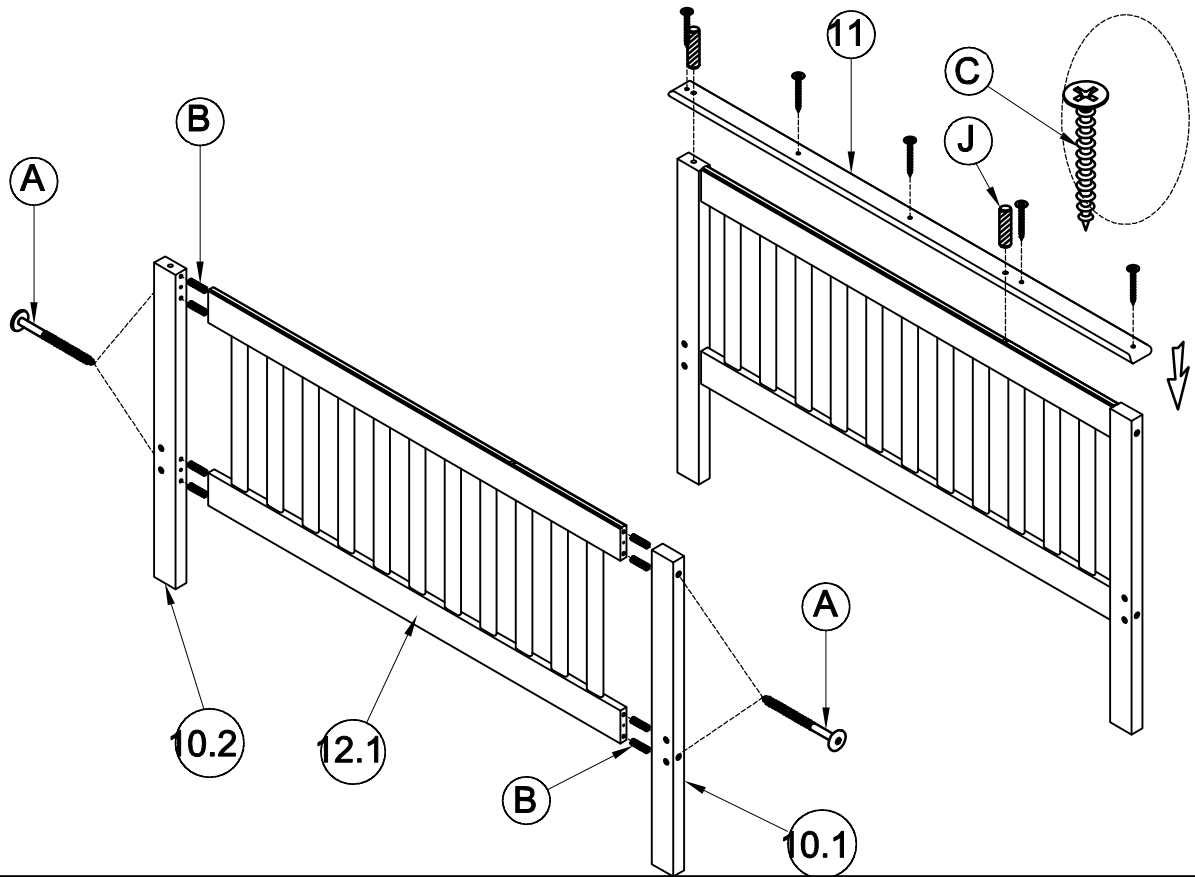
### STEP 4

1. Align and fix the Slats (8), Using Wood Screws (C), tighten with screw driver (not included)



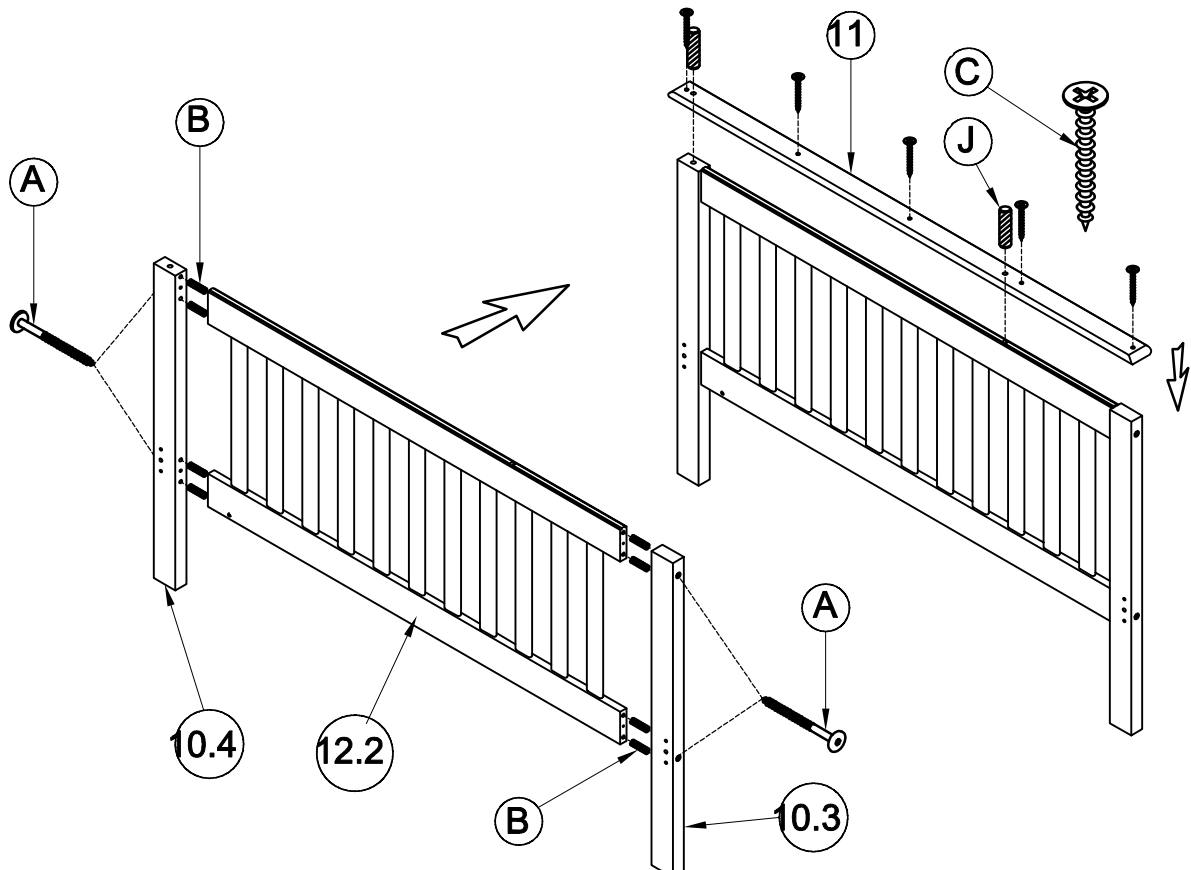
**STEP 5-1**

1. Align and fix the Below left legs (10.1&10.2), and the Below side panels (12.1), using the Hexagonal bolts catch wood (A), and the Wood dowel (B), Tighten with Allen Key (P).
2. Align and fix Guard rails (11), Using Wood Screws (C), tighten with screw driver (not included)



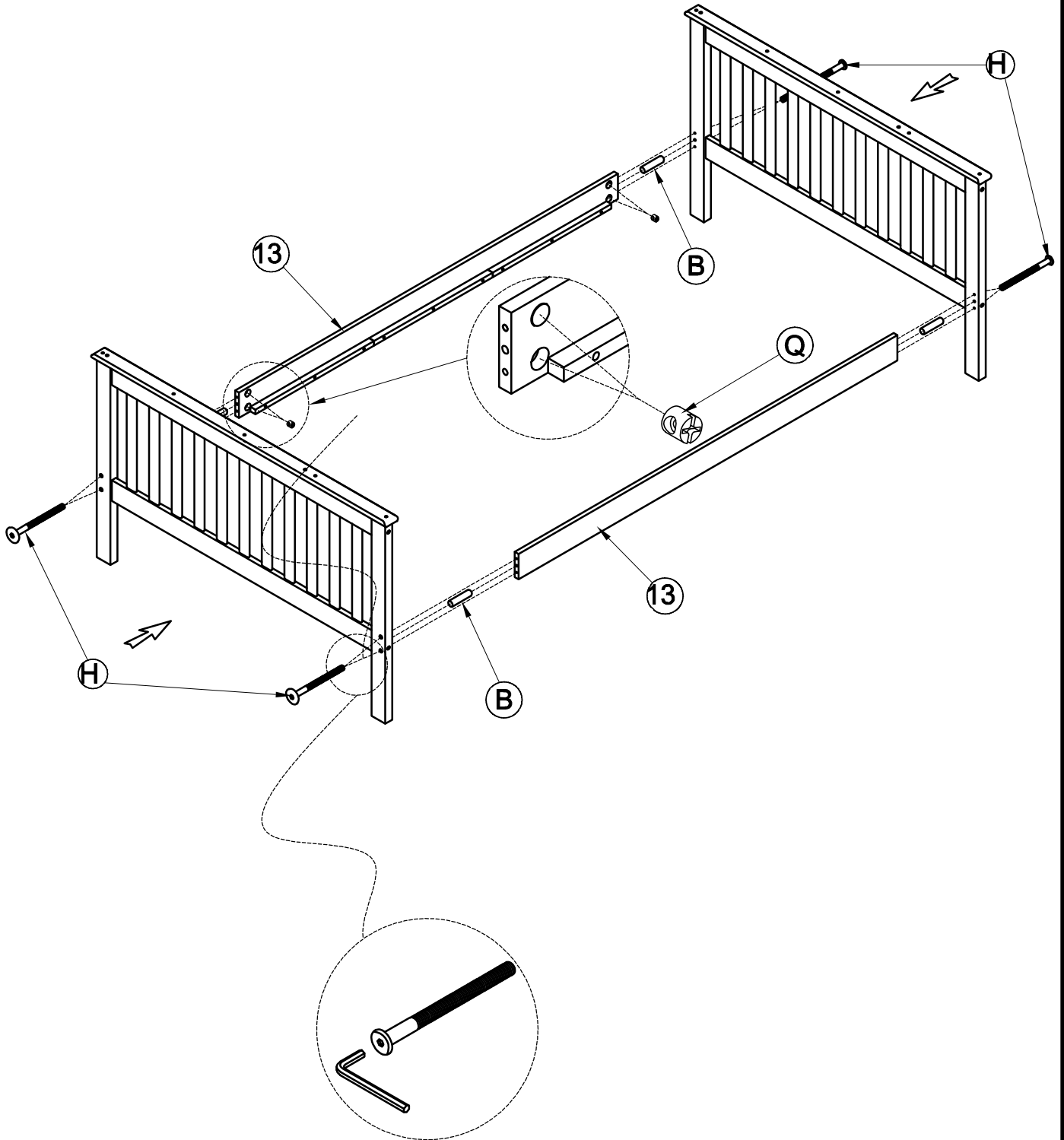
**STEP 5-2**

1. Align and fix the Below left legs (10.3&10.4), and the Below side panels (12.2), using the Hexagonal bolts catch wood (A), and the Wood dowel (B), Tighten with Allen Key (P).
2. Align and fix Guard rails (11), Using Wood Screws (C), tighten with screw driver (not included)



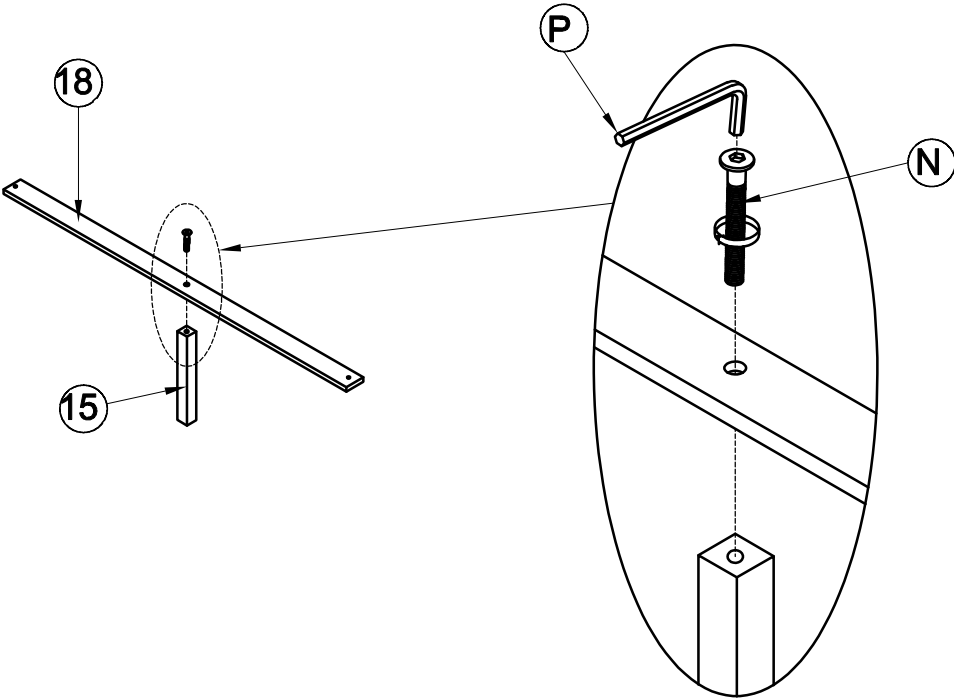
**STEP 6**

Align and fix the Lower side rails (13), with the right and left side of the headboard, using Hex-Head bolts (H), Wood dowel (B) and Hole bolts (Q), Tighten with Allen Key (P).



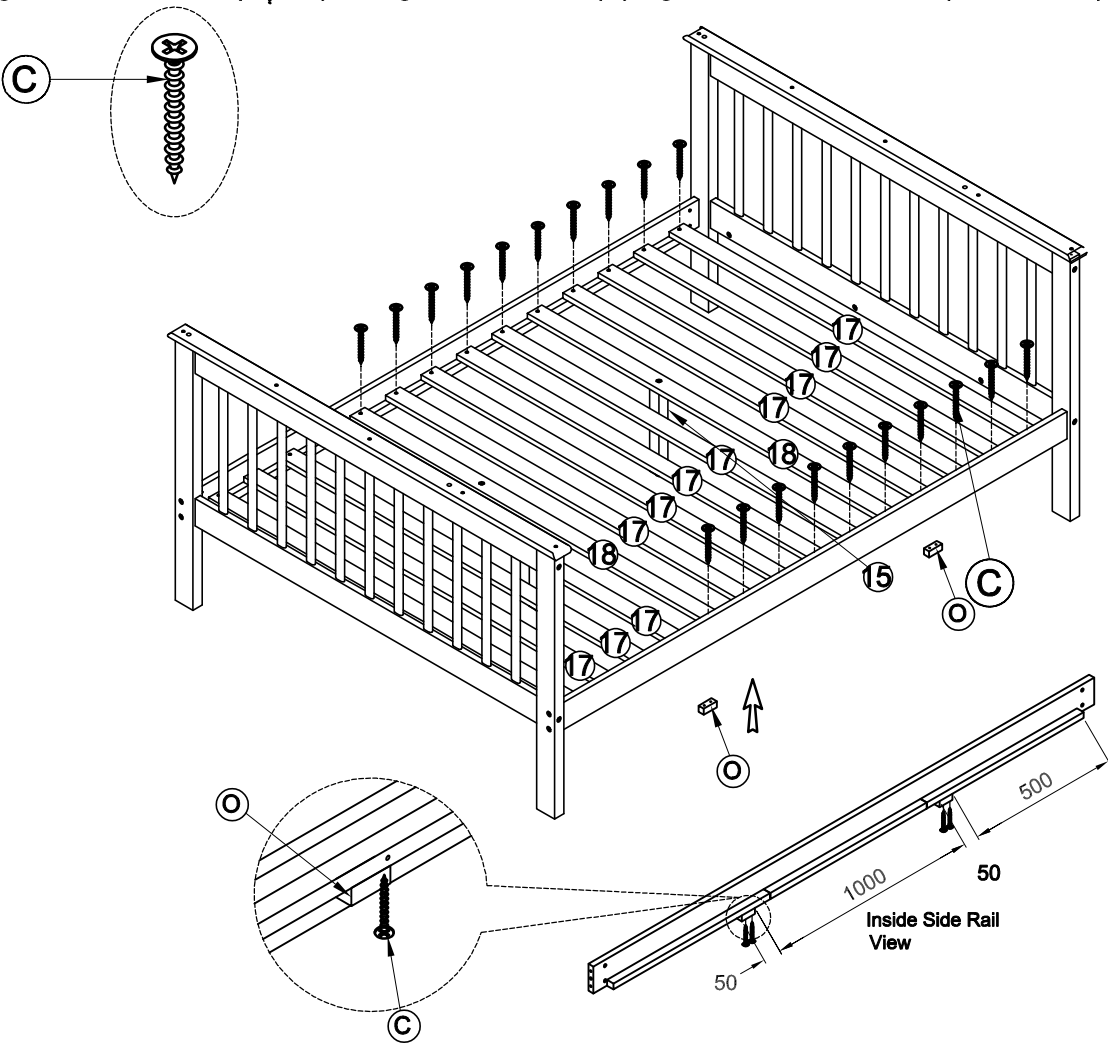
STEP 7

1. Align and fix the center legs (15), and the slats (18), Hex-Head bolts (E), tighten with Allen key(O).



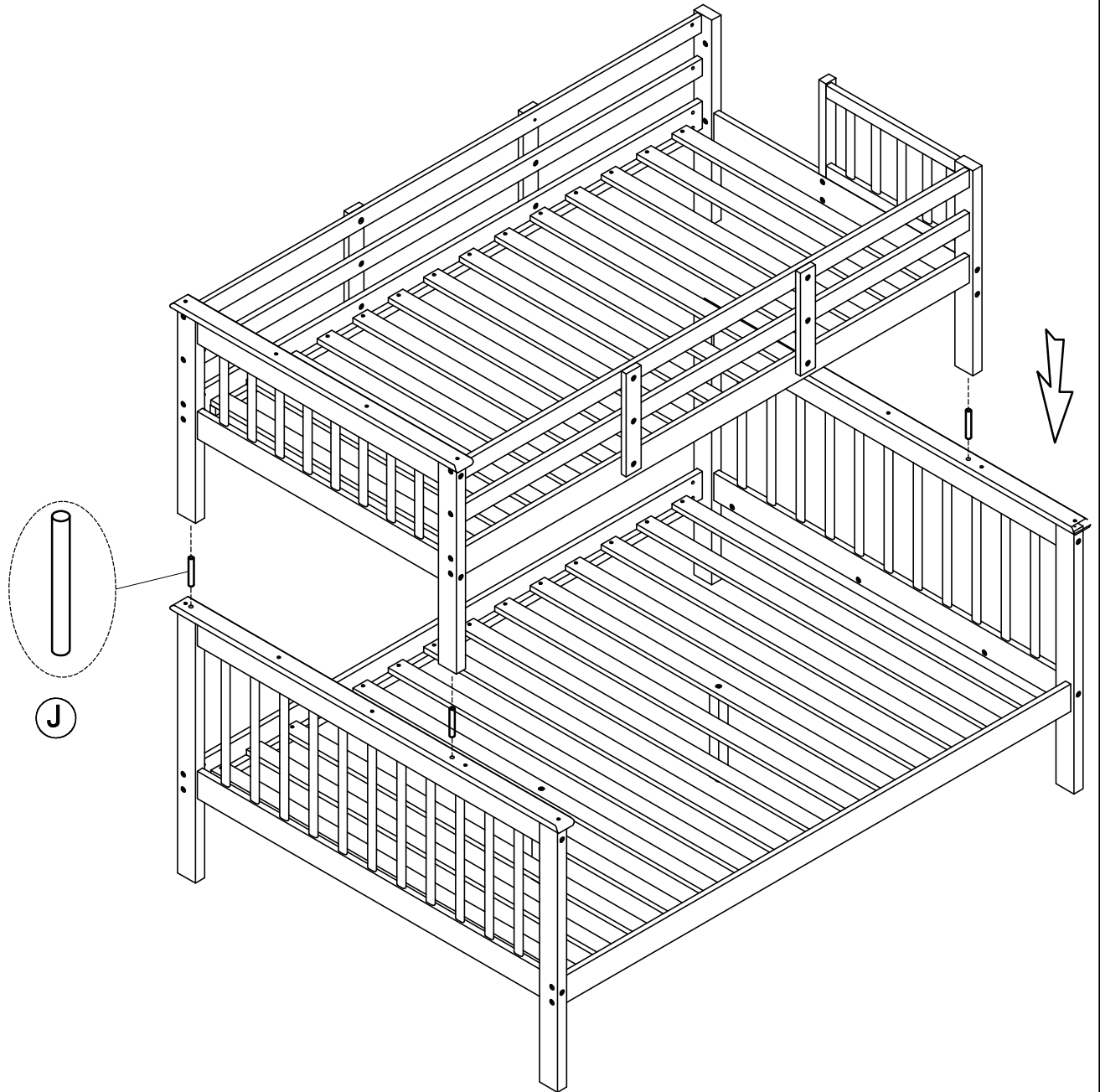
STEP 8

Align and fix the Slats (17&18), Using Wood Screws (C), tighten with screw driver (not included)



**STEP 9**

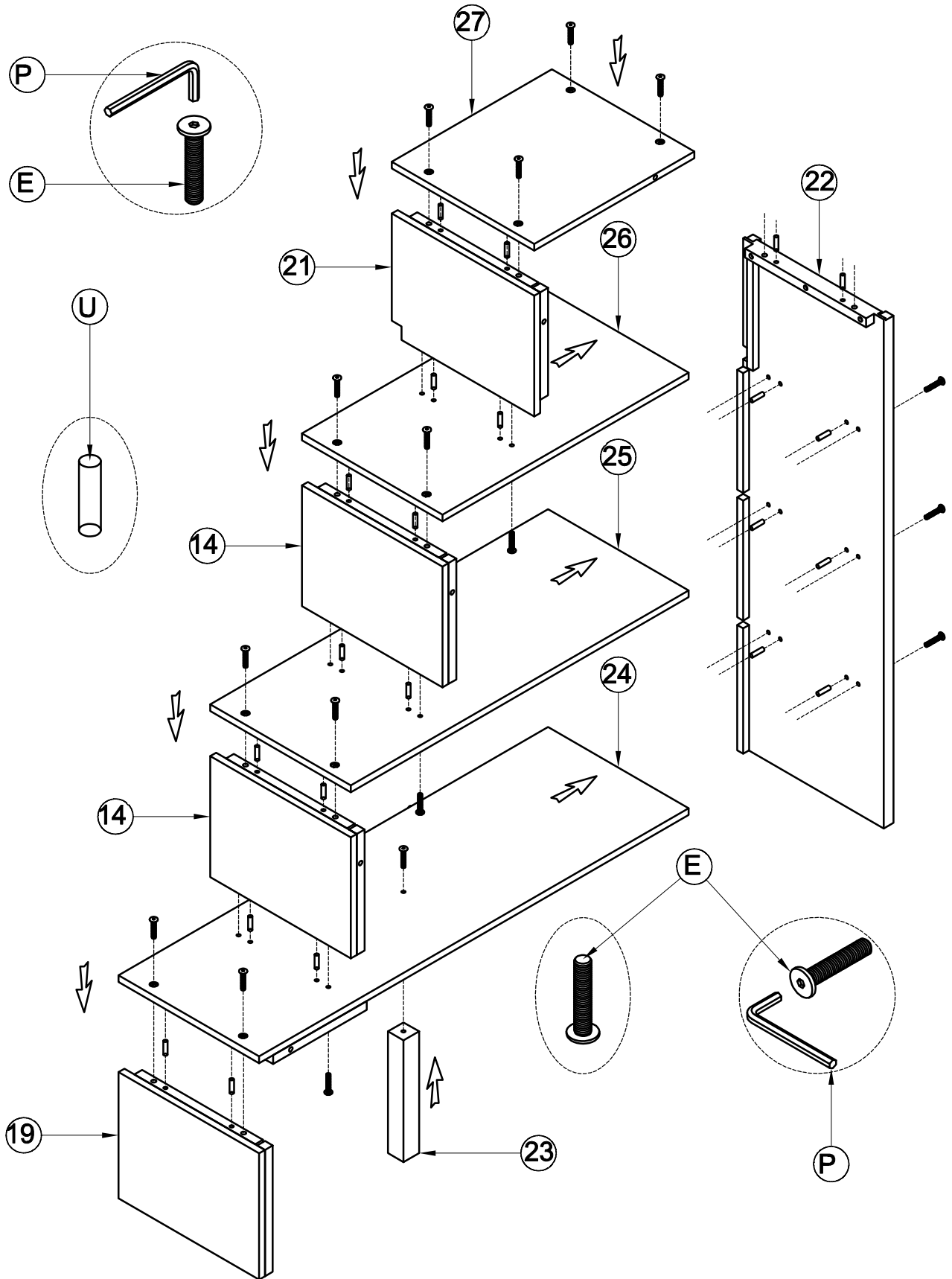
Align Stack upper bunk bed onto lower bunk bed, using Wood dowel (J).



STEP 10

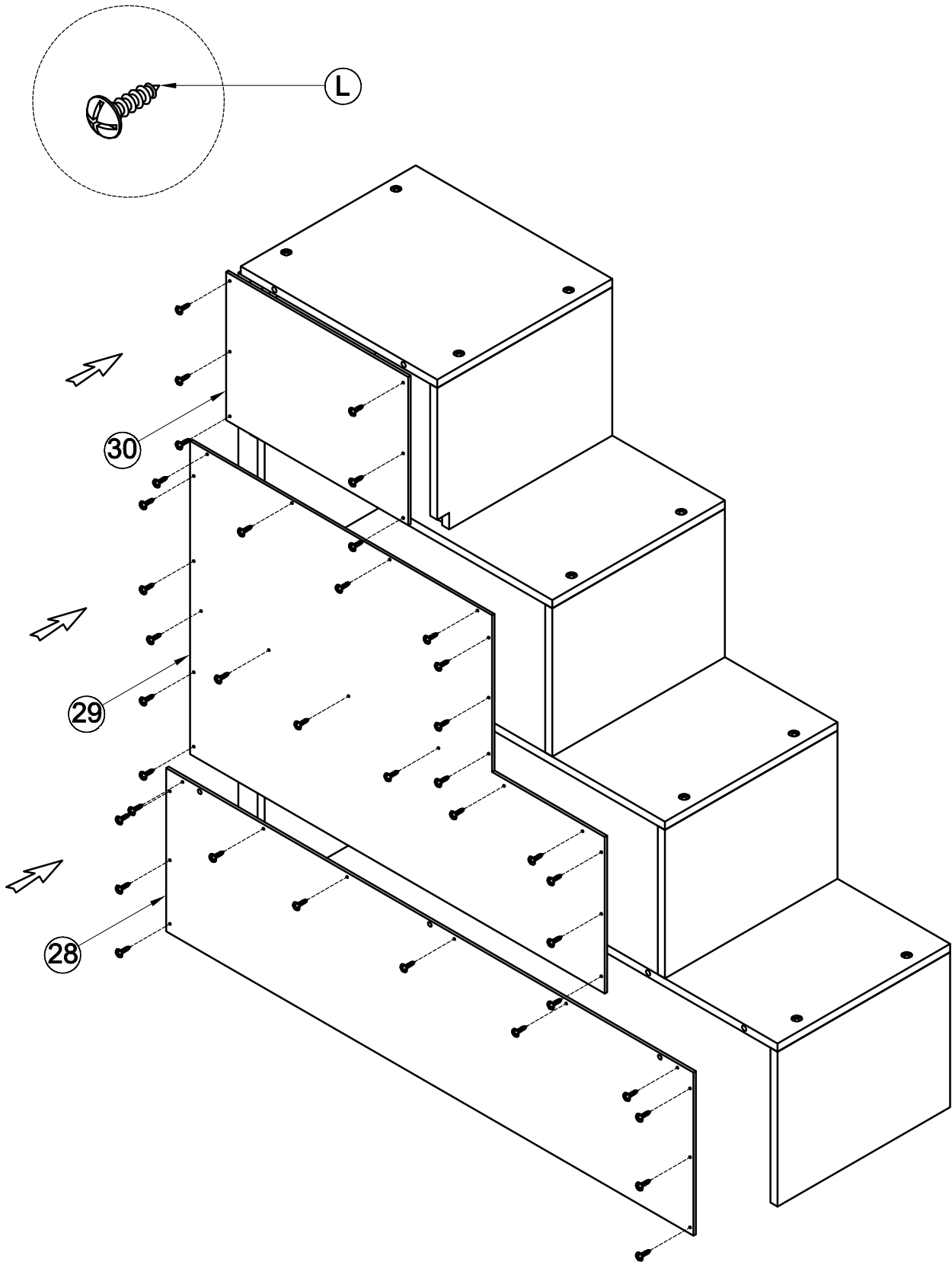
14

- 1, Align and fix the Board standing below (19), with the Horizontal board below (24), and the Back panel (22).
  - 2, Align and fix the Board standing between (14), with the Horizontal board between (25), and the Back panel (22).
  - 3, Align and fix the Board standing between (14), with the Horizontal board between (26), and the Back panel (22).
  - 4, Align and fix the The board is in the above (21), with the Horizontal board above (25), and the Back panel (22).
- => Using Hex-Head bolts (K), and Wood dowel (L) tighten with Allen Key (P).



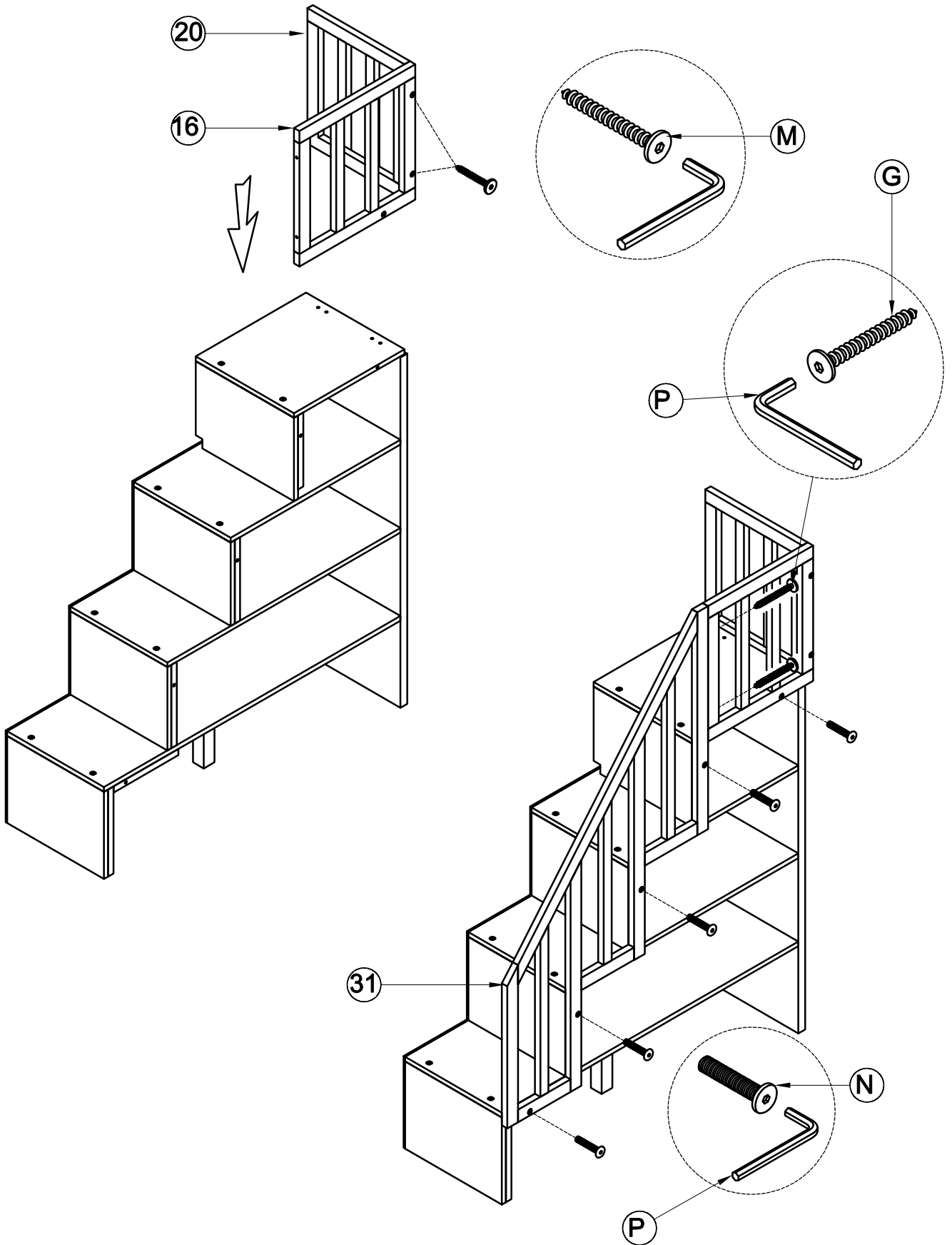
**STEP 11**

Align and fix the Bottom side panel (28), Between side panel (29), Above side panel (30), Using Wood Screws (M), tighten with screw driver (not included)



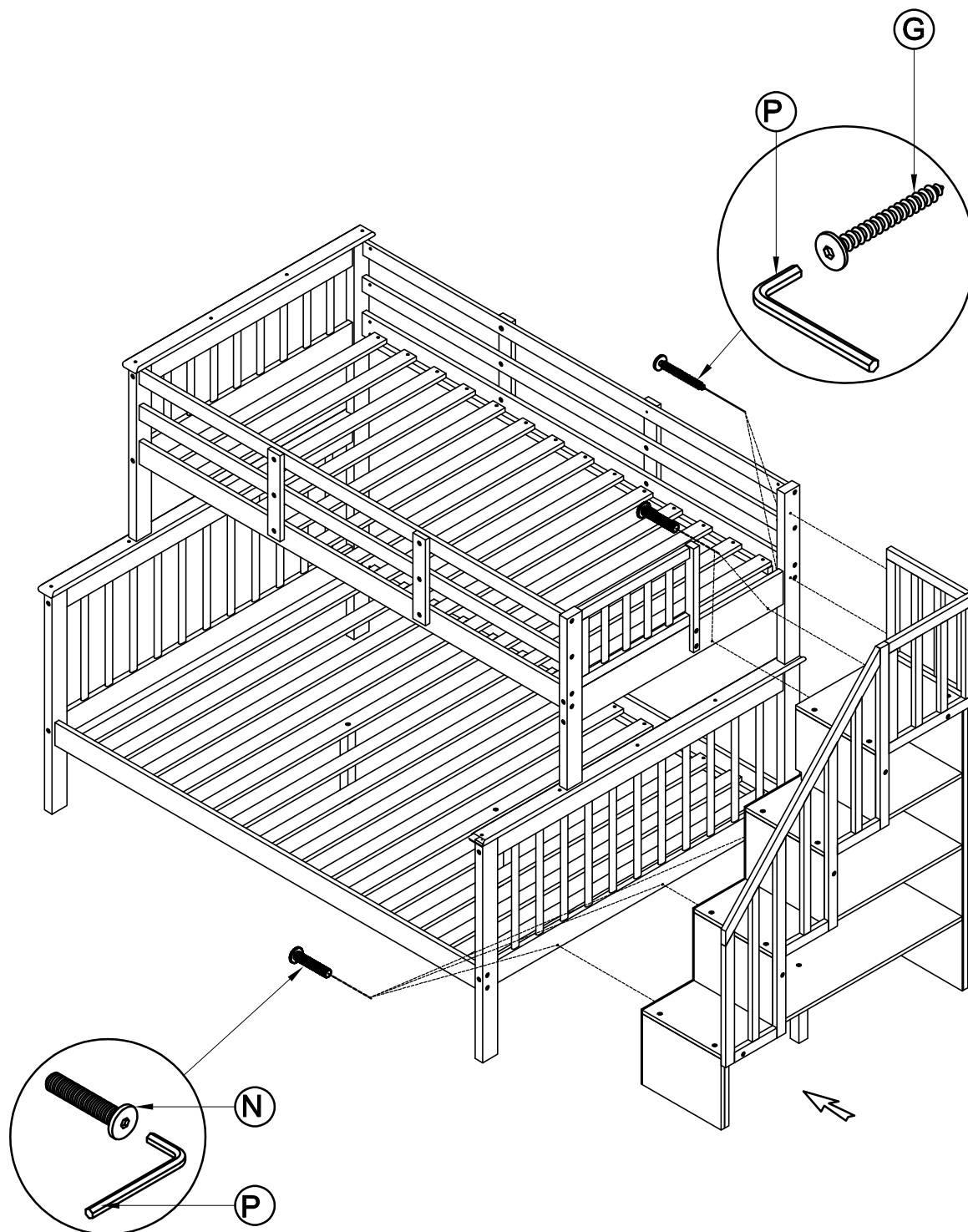
**STEP 12**

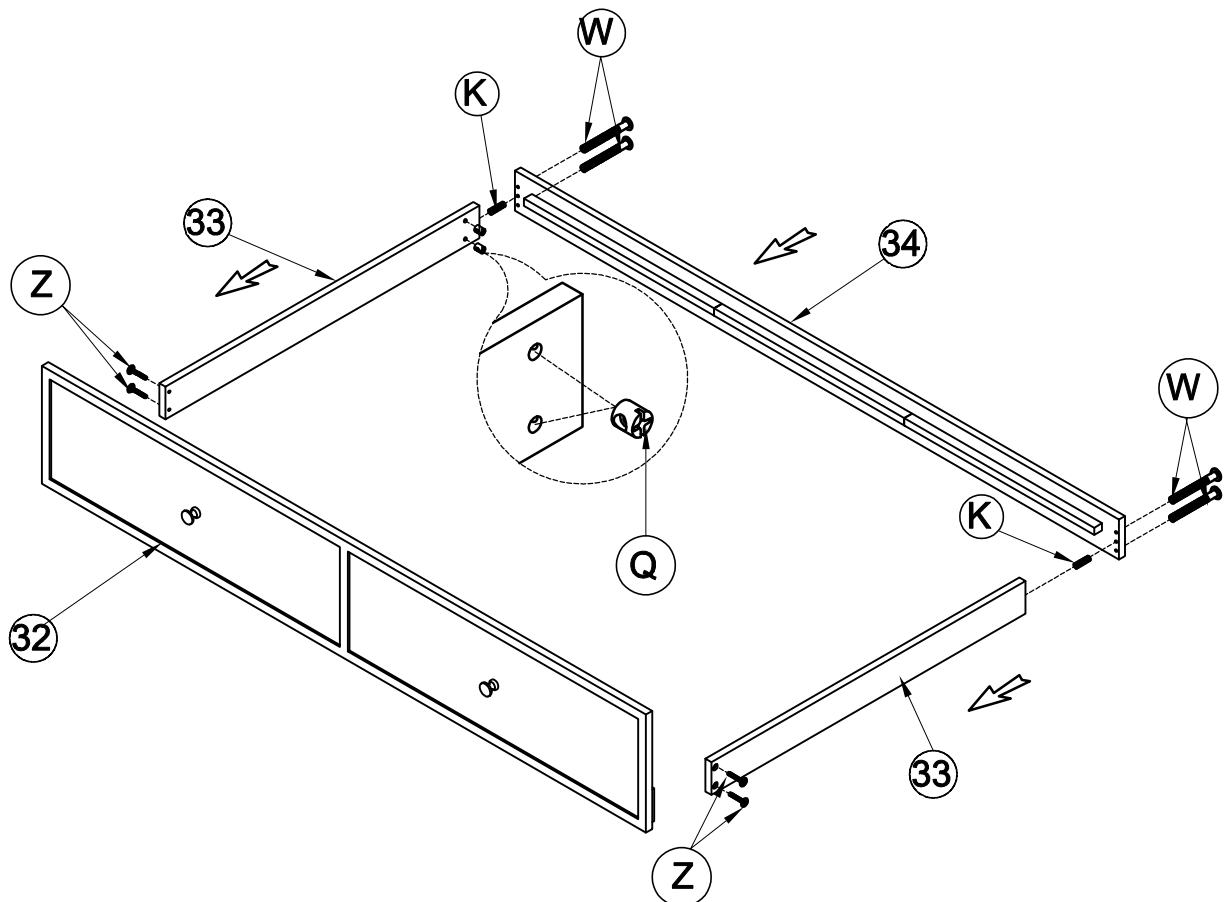
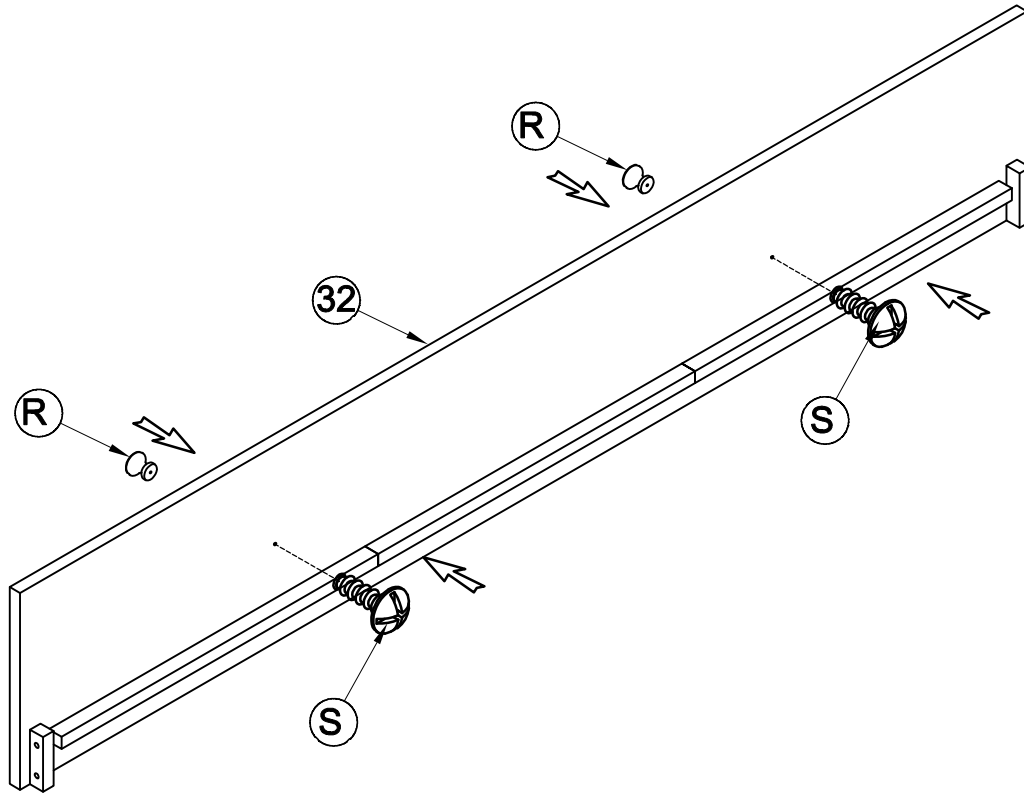
Align and fix the Stair railing above (16), With the Stair railing above (20) and Stair railing below (31), Using bolts catch wood (N), (G) and Hex-Head bolts (N), tighten with Allen Key (P).



**STEP 13**

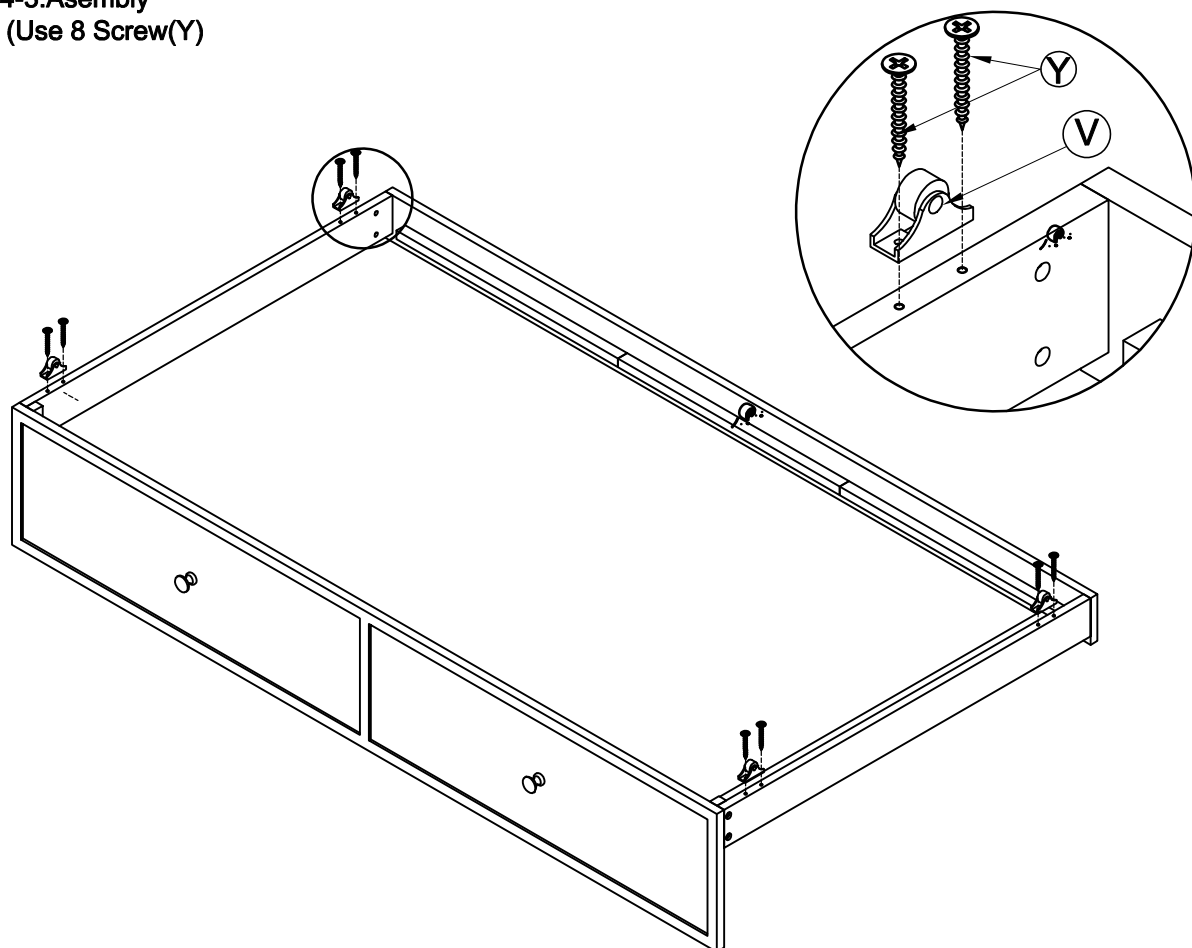
Align and fix the stairs and the bunk beds, Using Hex-Head bolts (N), tighten with Allen Key (P).





STEP 14-3: Assembly  
Wheels (Use 8 Screw(Y))

19



STEP 14-4: Assembly Salats

