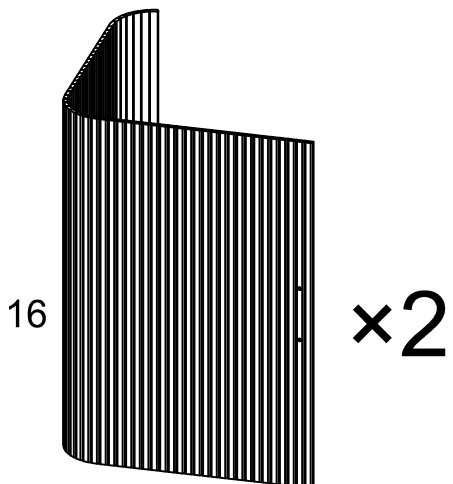
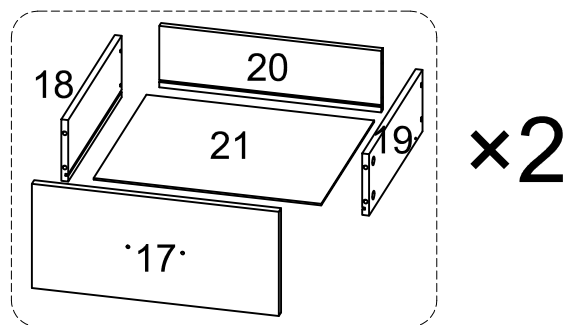
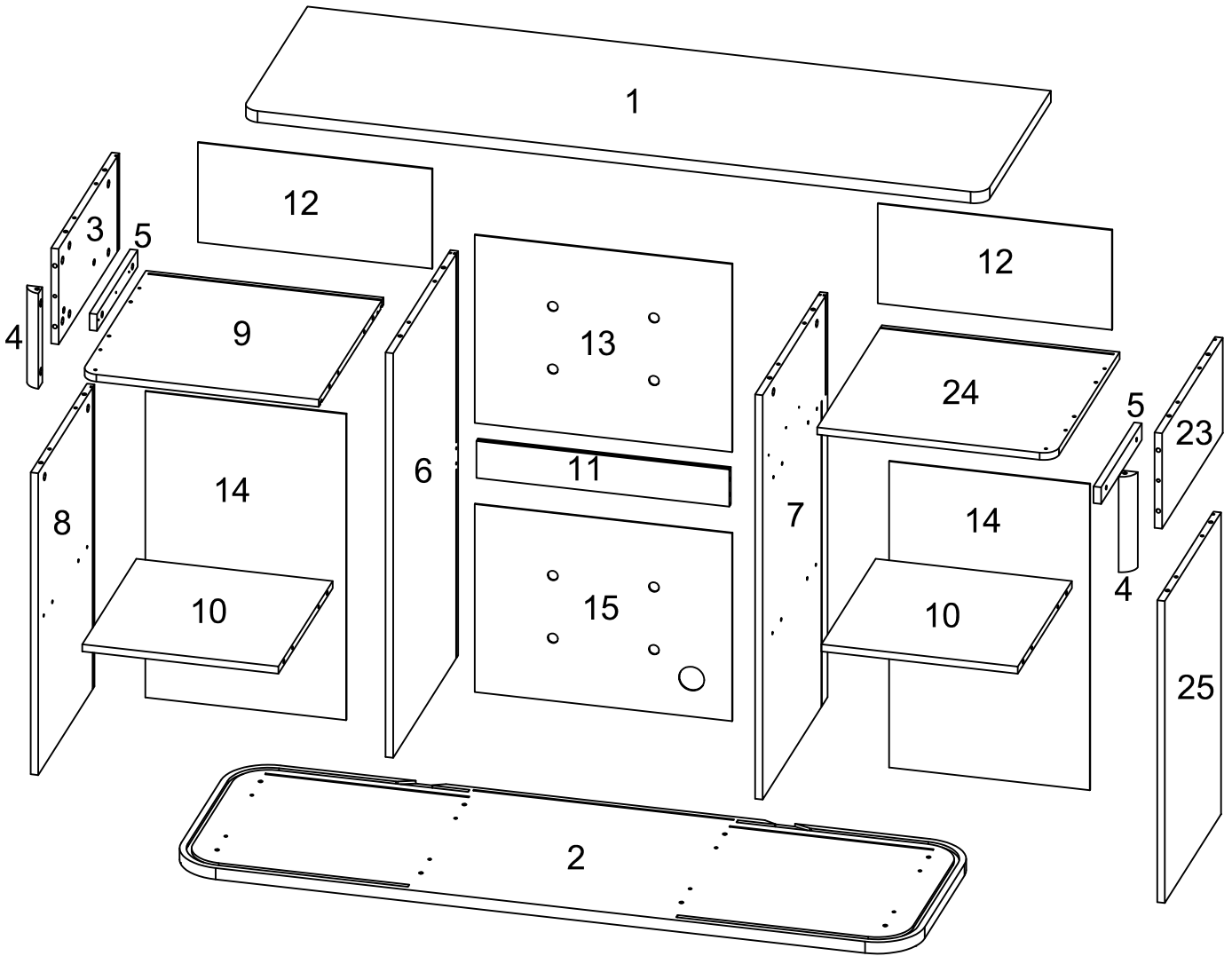


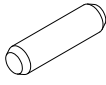
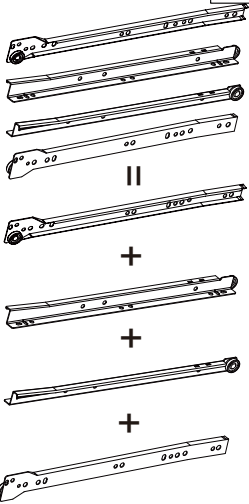








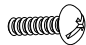
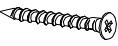
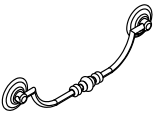


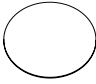
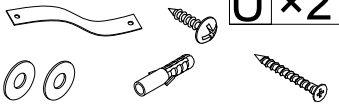
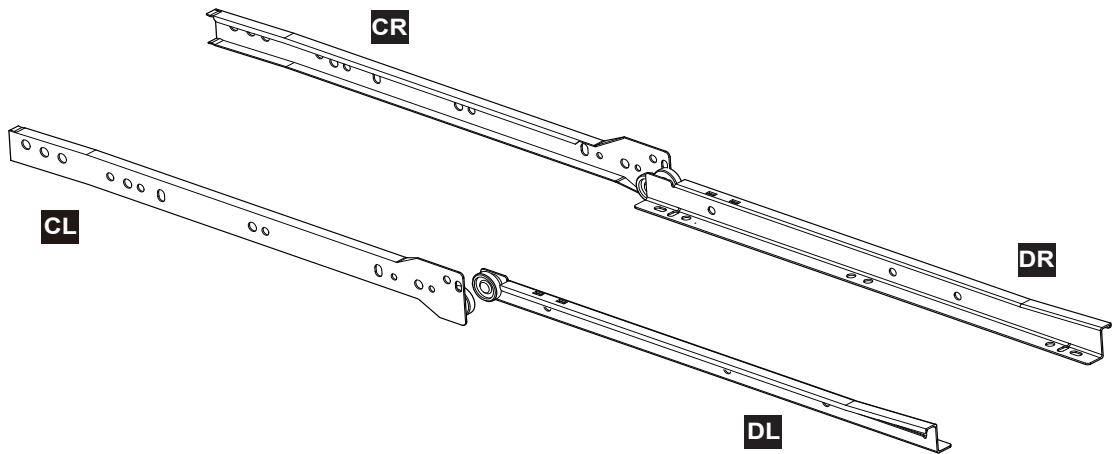


# EXPLODED DRAWING

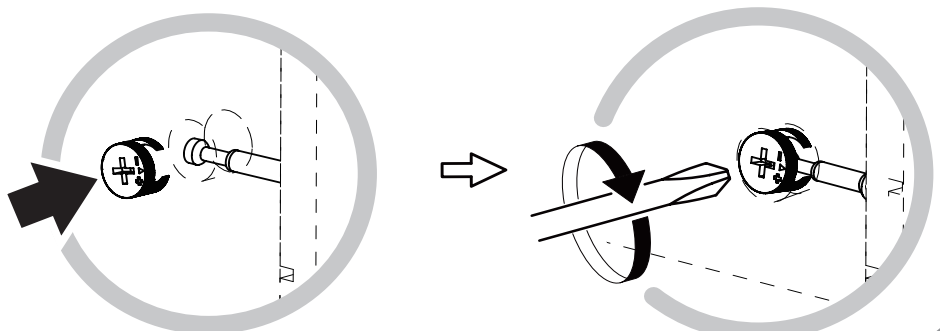
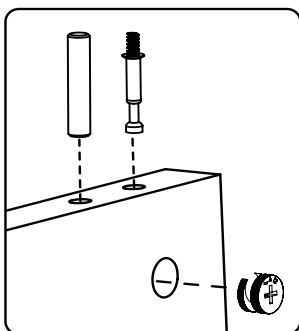


# PARTS

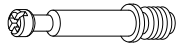

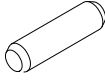


 <b>A</b> ×48	 <b>B</b> ×48 M15×10	 <b>C</b> ×38 M6×30	 <b>D</b> ×2 350 CL DL DR CR
 <b>E</b> ×24 M3×12	 <b>F</b> ×4 M6×20	 <b>G</b> ×8 M6×12	
 <b>H</b> ×8 M7×50	 <b>J</b> ×8 30×30×5	 <b>K</b> ×24	
 <b>L</b> ×24 M3×14	 <b>M</b> ×2 110	 <b>N</b> ×4 M4×10	
 <b>P</b> ×8 M4×35	 <b>Q</b> ×2	 <b>R</b> ×4 M4×20	 <b>S</b> ×1 M4
 <b>T</b> ×24	 <b>U</b> ×2		

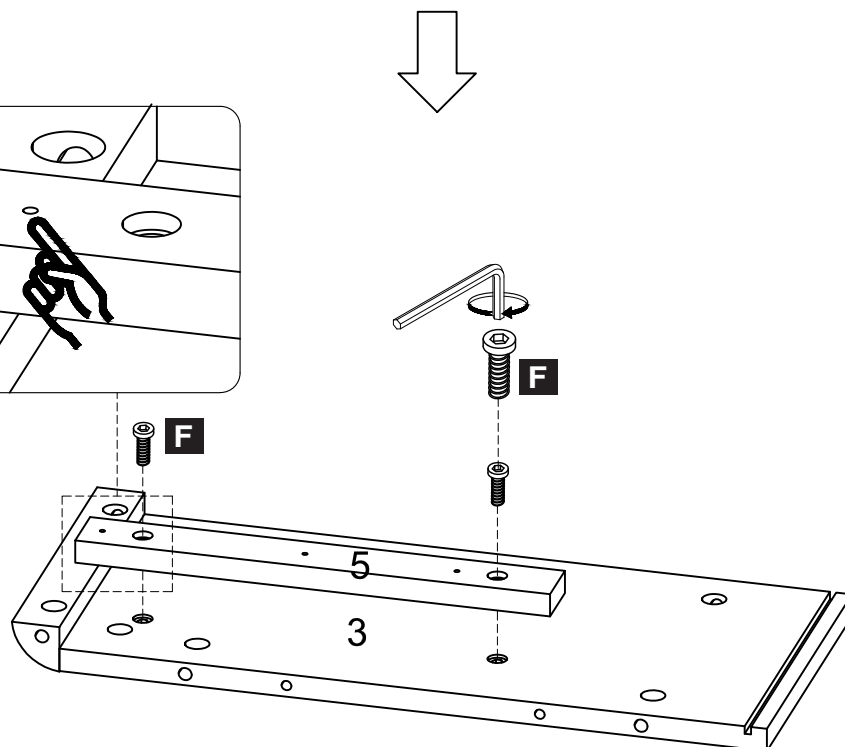
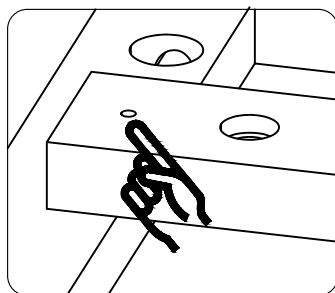
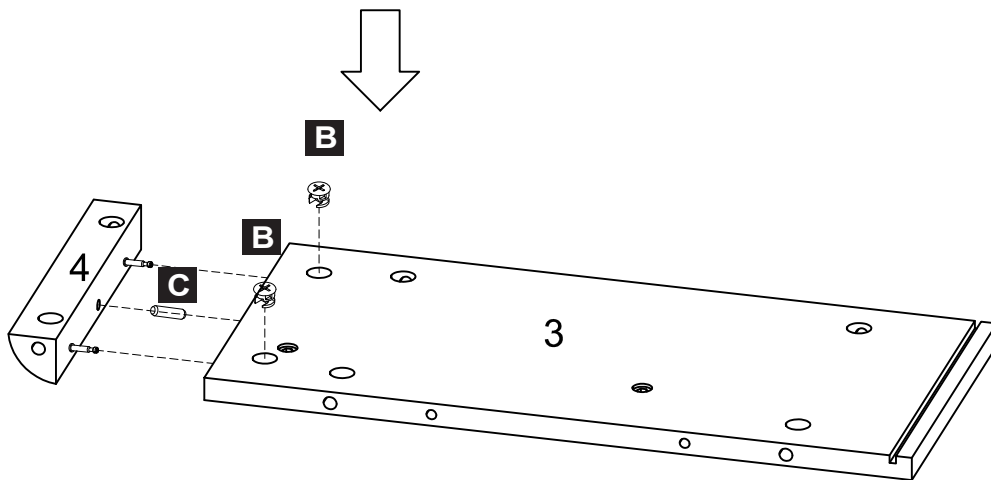
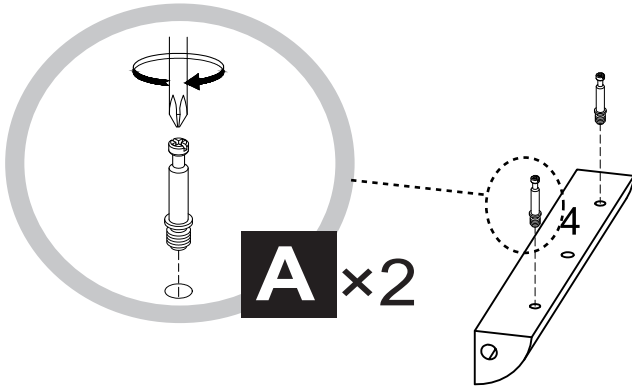


## MINIFIX POSITION






1

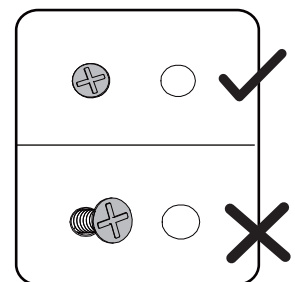
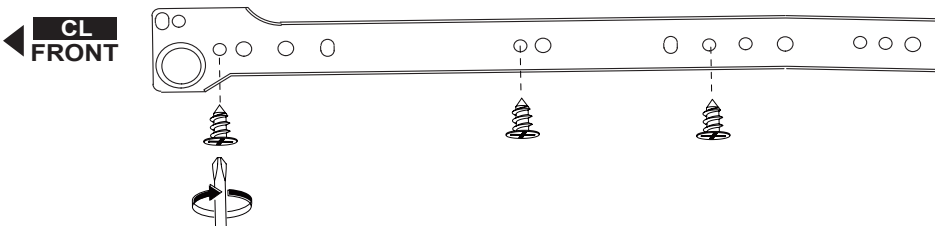
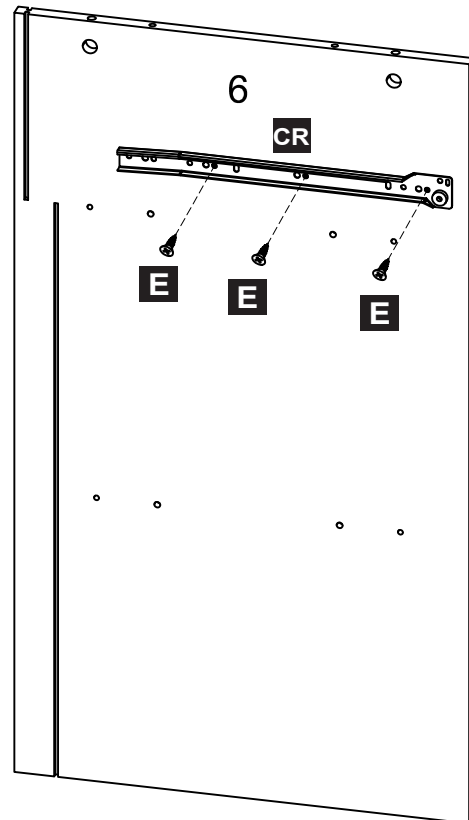
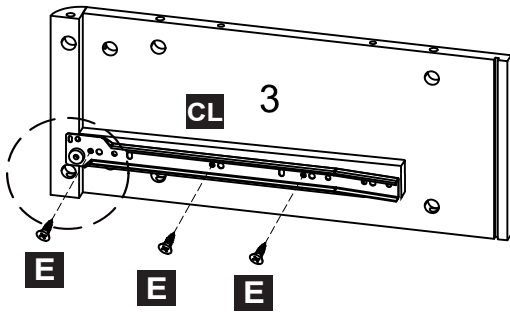
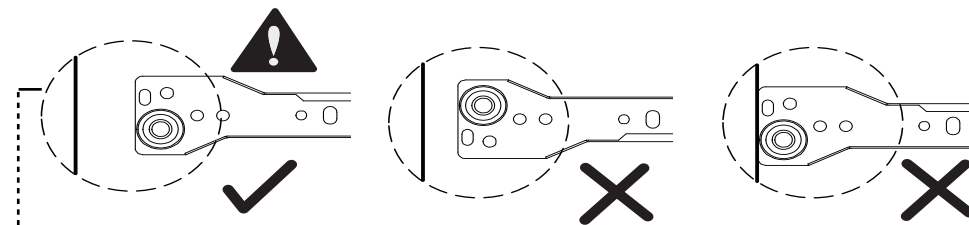
	<b>A</b> × 2 M6×35		<b>B</b> × 2 M15×10
	<b>C</b> × 1 M6×30		<b>F</b> × 2 M6×20
			<b>S</b> × 1 M4



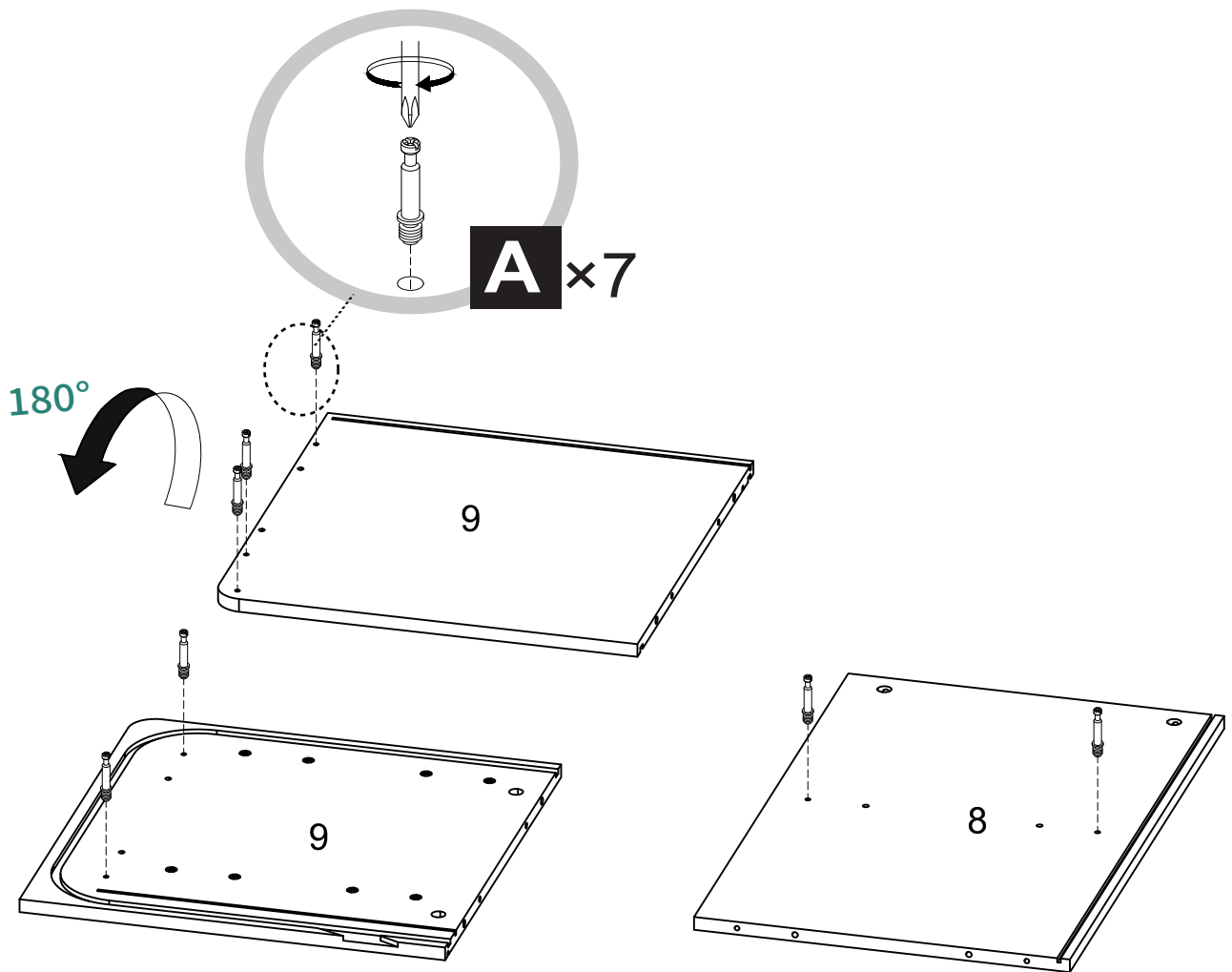
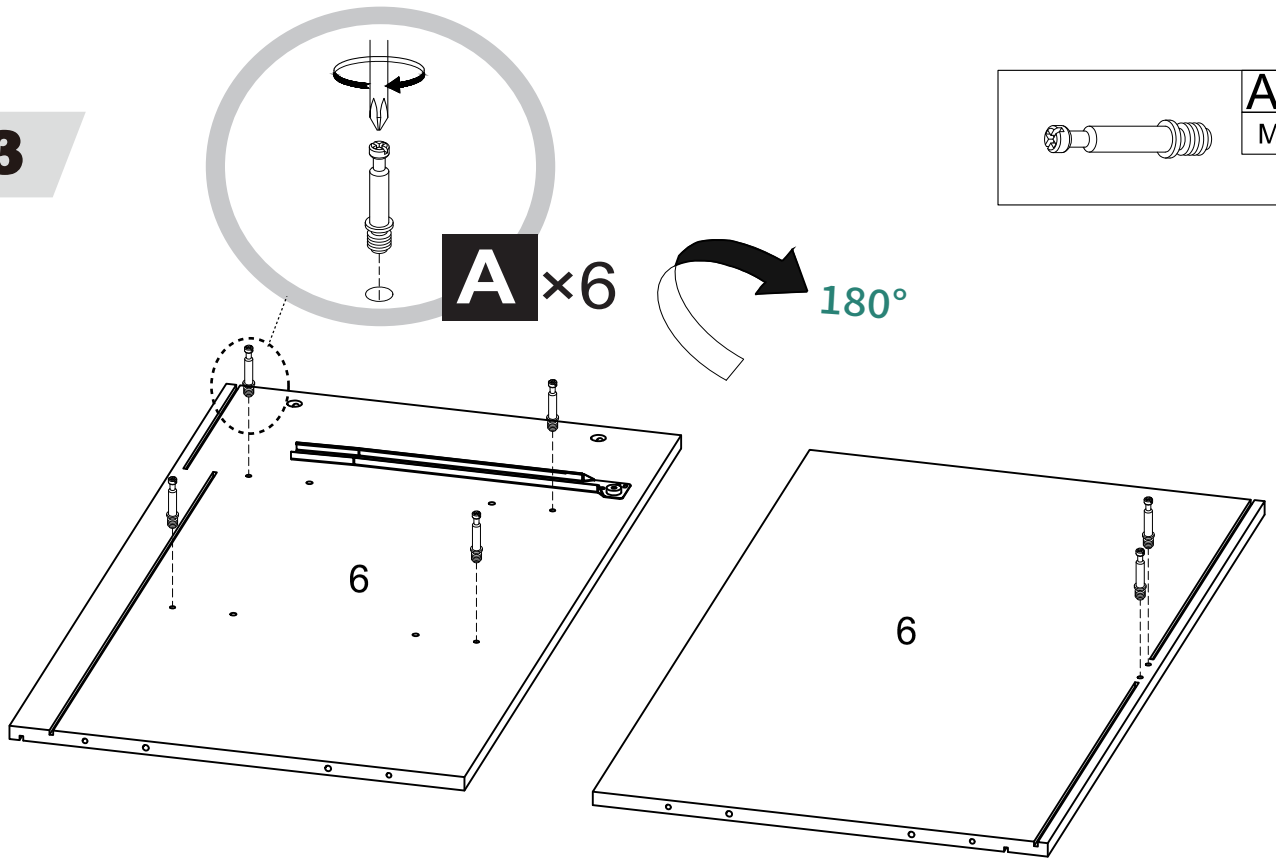
3

# 2


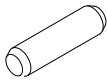
	<b>E</b> x6 M3x12	<b>CL</b> x1
		
		<b>CR</b> x1
		

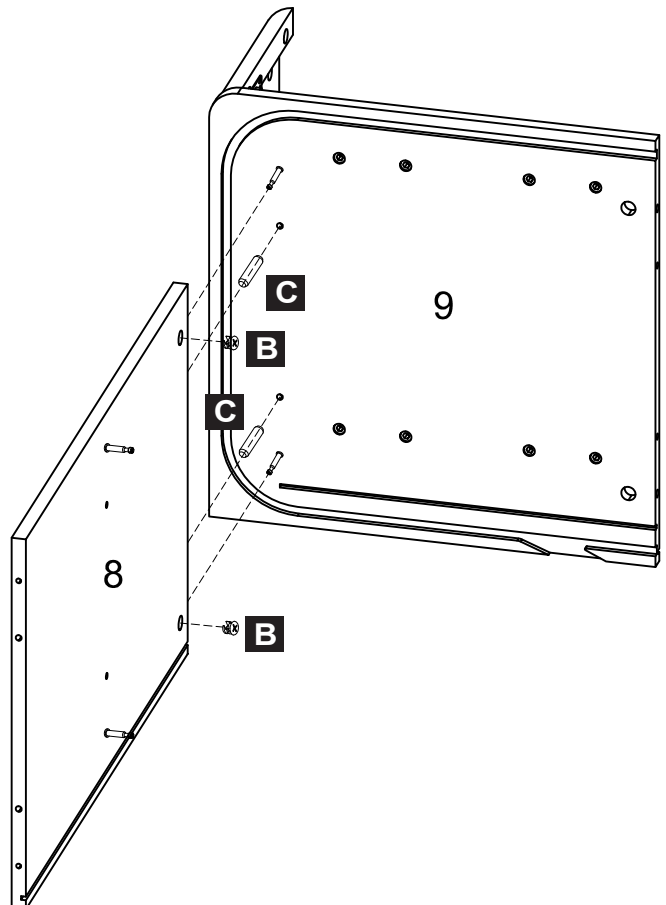
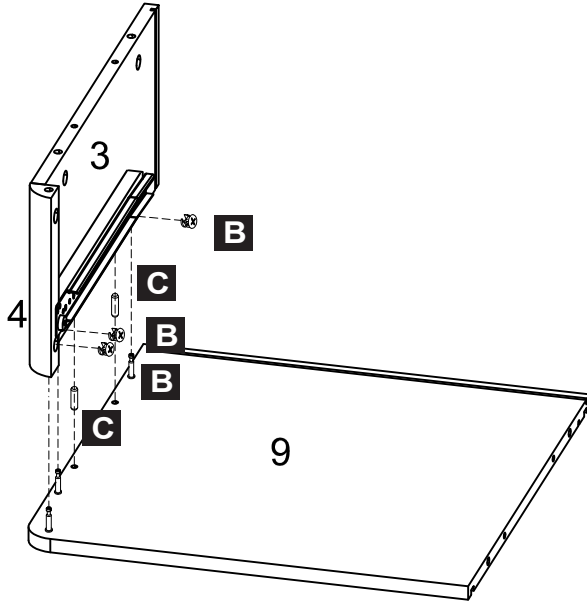



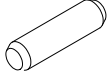
3

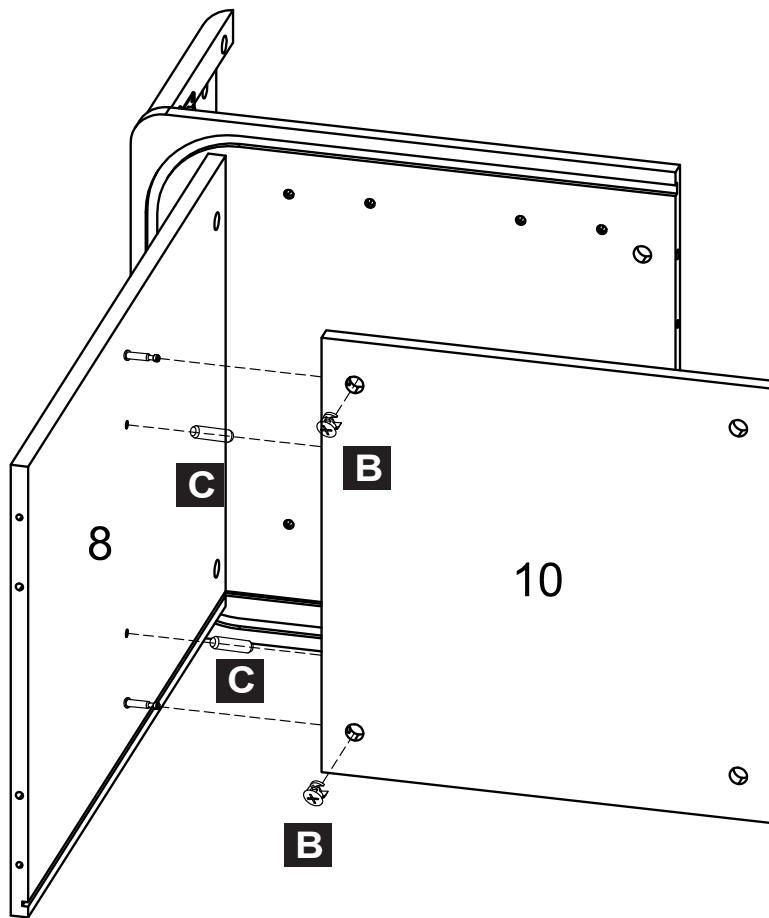



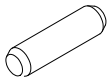
5

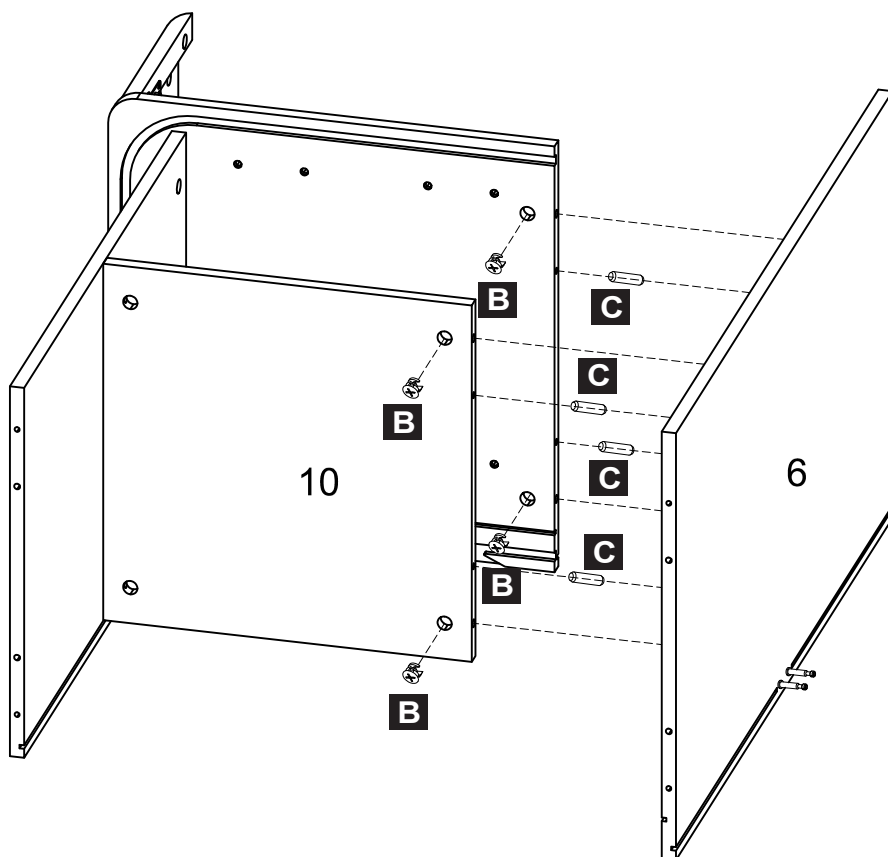
	<b>B</b> × 5		<b>C</b> × 4
	M15×10		M6×30

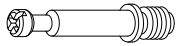

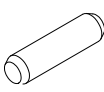




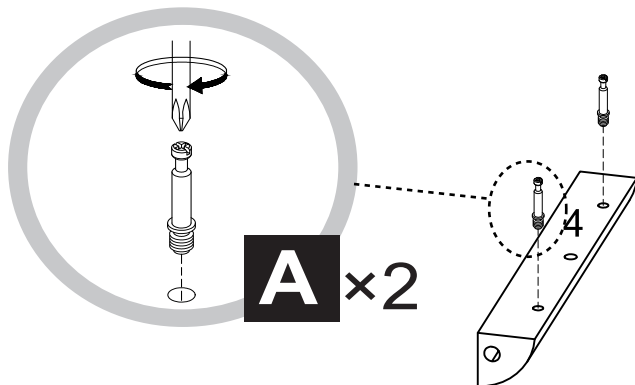
	<b>B</b> × 2		<b>C</b> × 2
	M15 × 10		M6 × 30



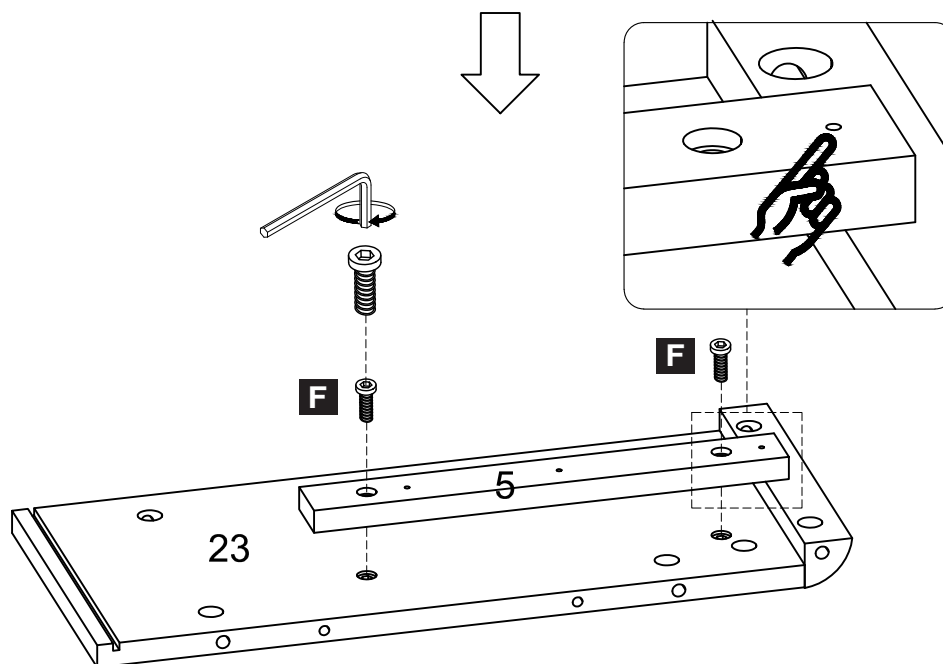
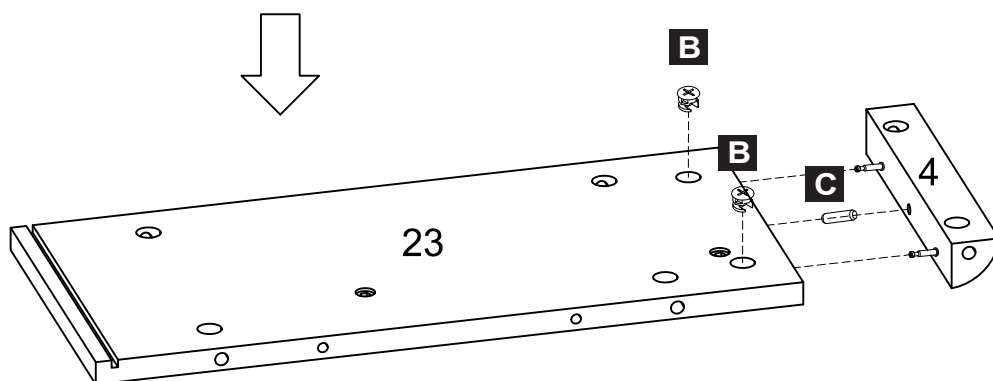
	<b>B</b> ×4		<b>C</b> ×4
	M15×10		M6×30






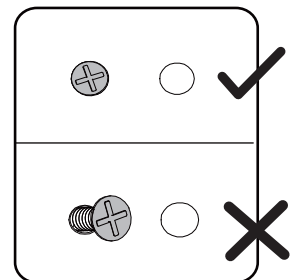
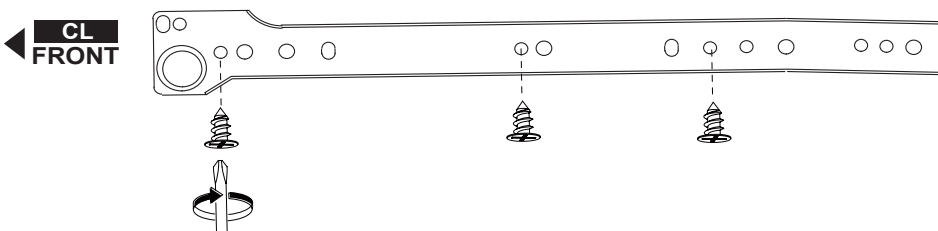
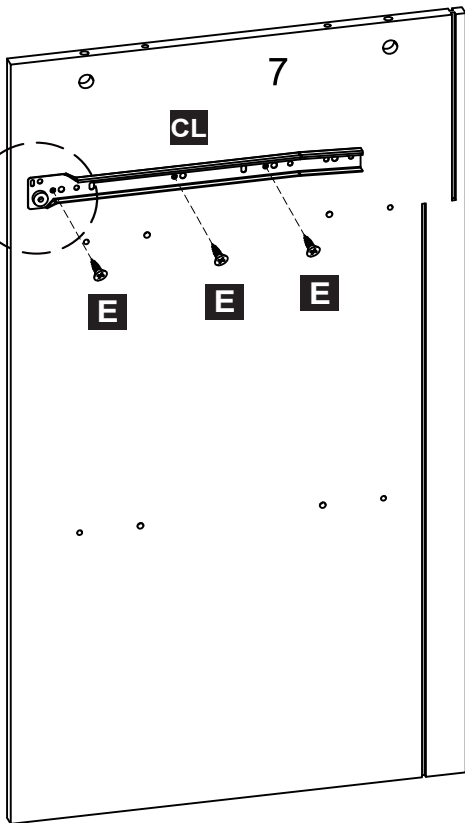
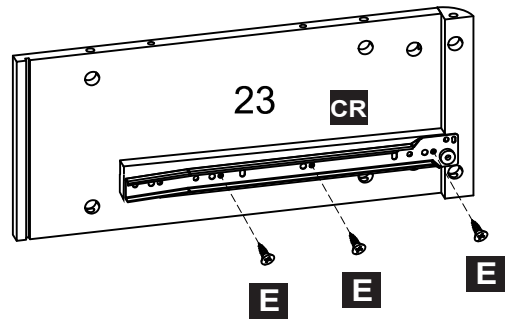
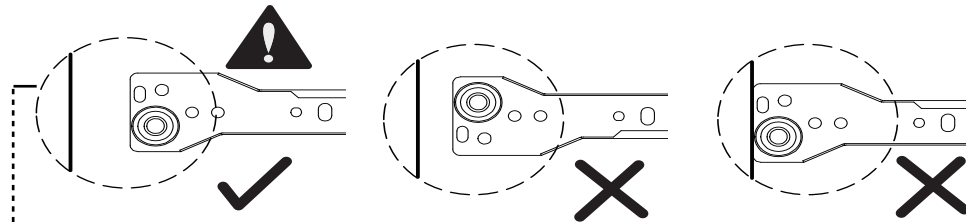
	<b>A</b> × 2 M6×35		<b>B</b> × 2 M15×10
	<b>C</b> × 1 M6×30		<b>F</b> × 2 M6×20
			<b>S</b> × 1 M4



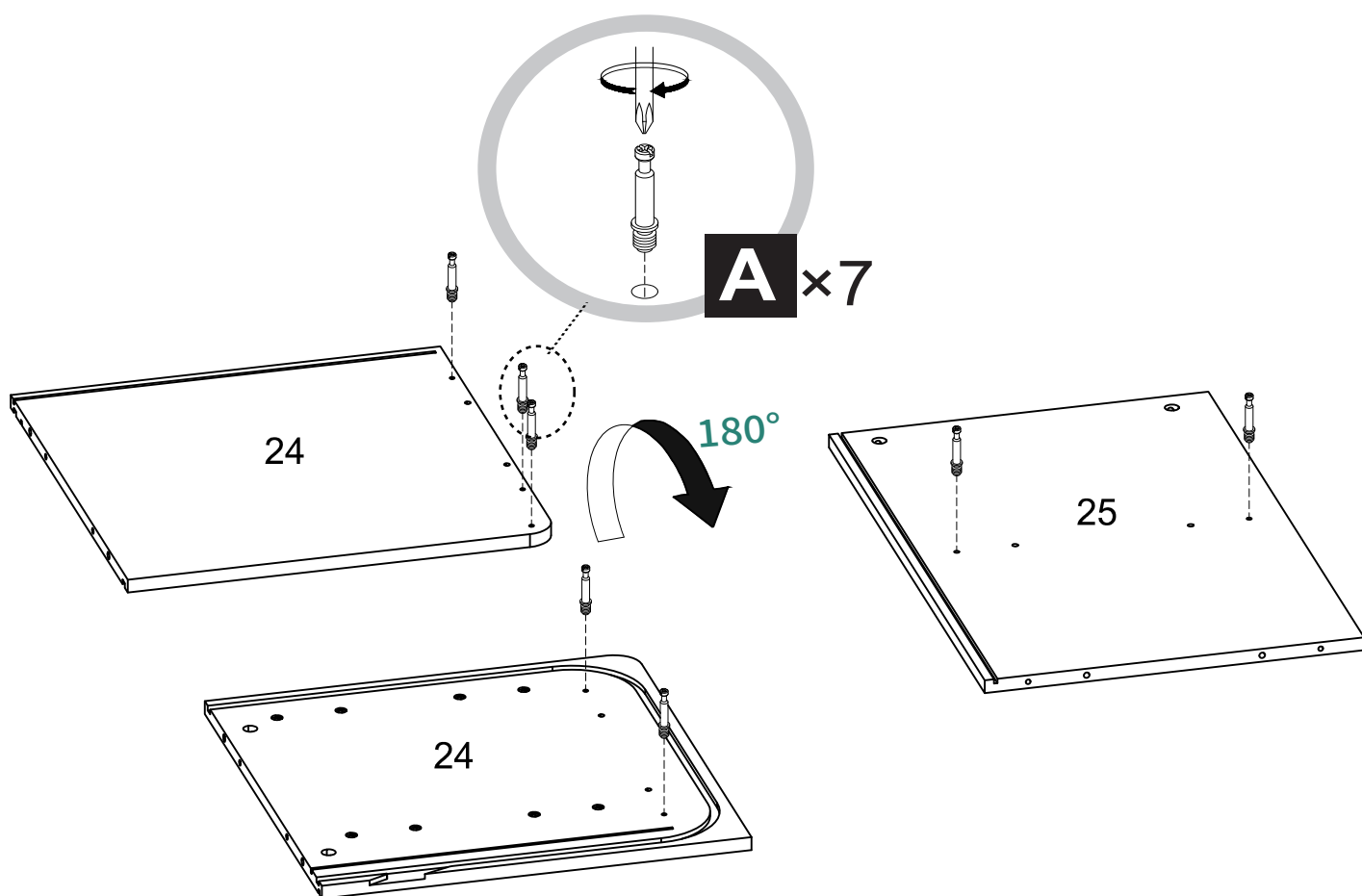
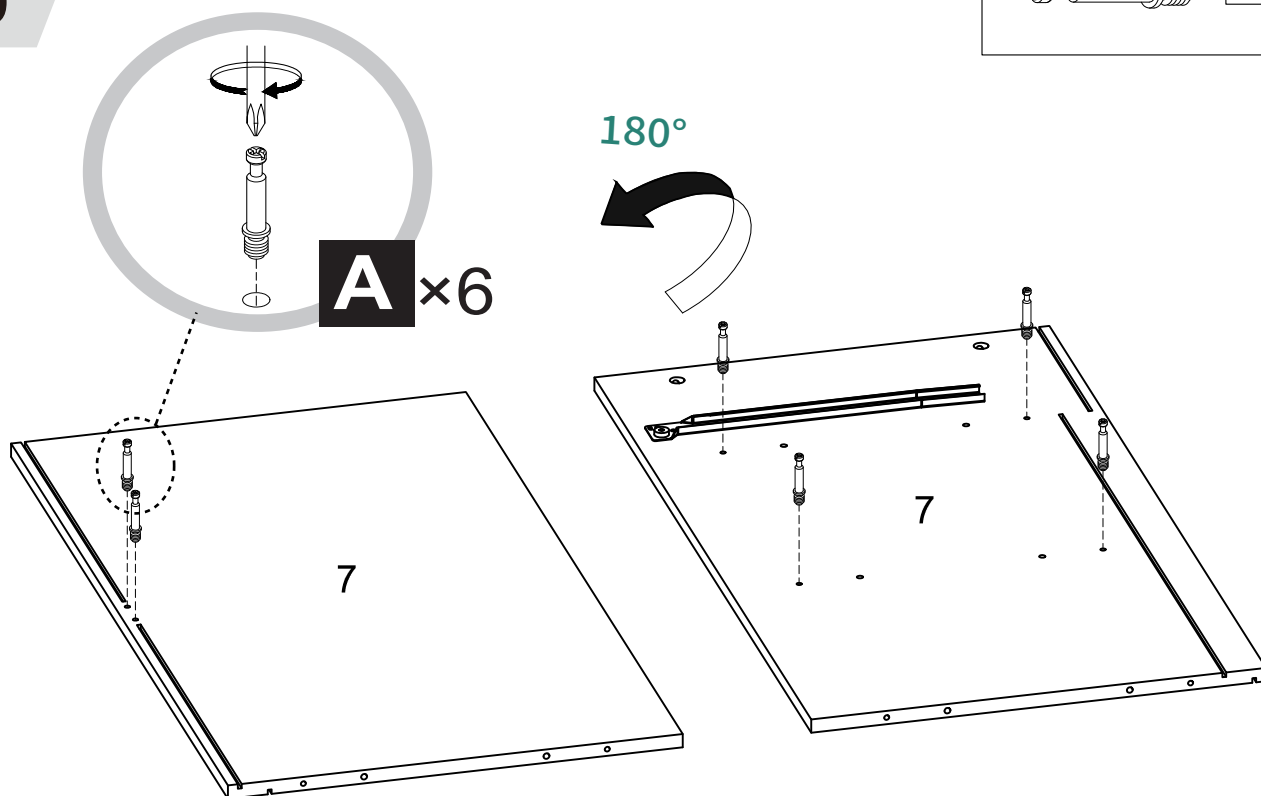
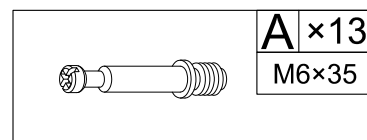
**A** × 2


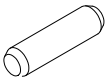


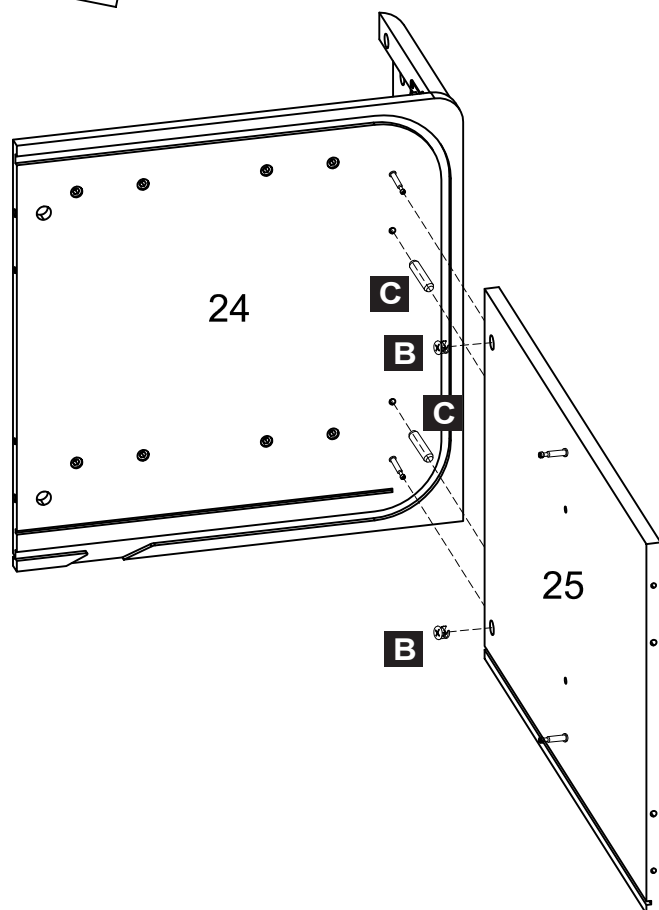
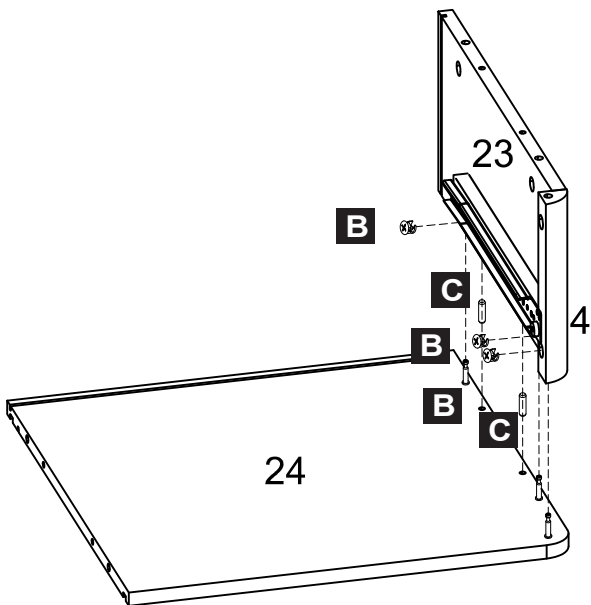
	<b>E</b> x6 M3x12	<b>CL</b> x1 
		<b>CR</b> x1 


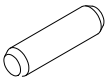


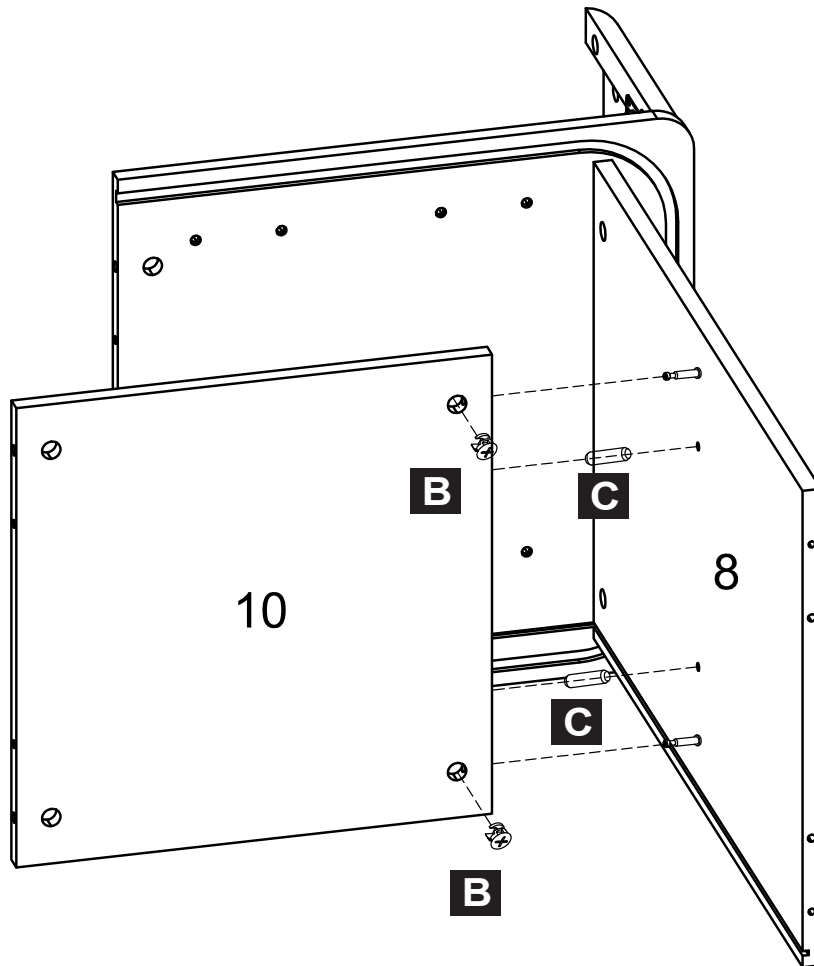
9


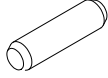


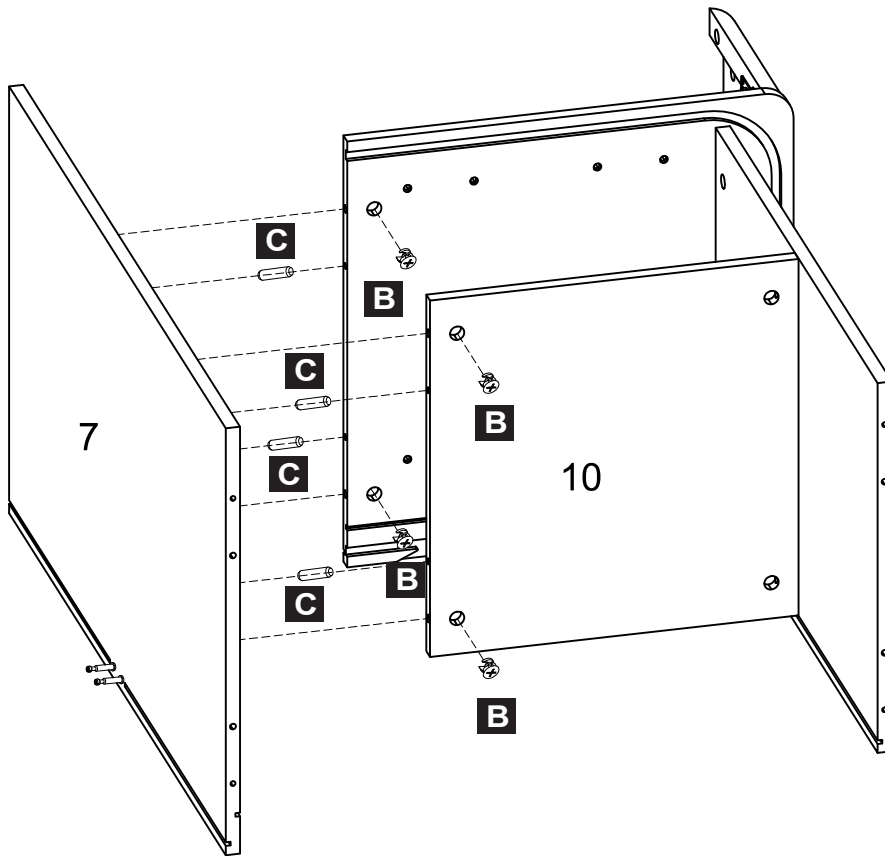
	<b>B</b> × 5		<b>C</b> × 4
	M15×10		M6×30

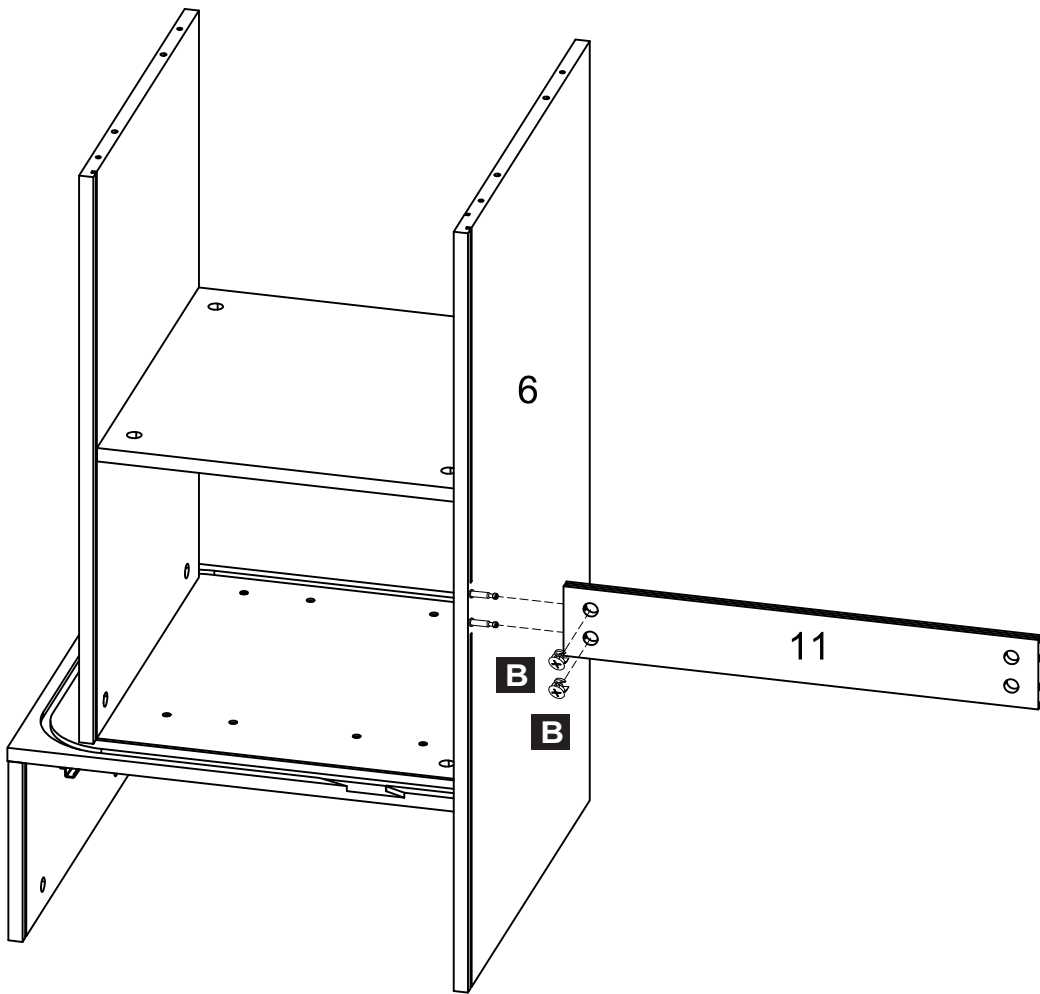
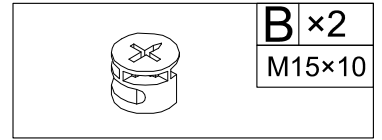


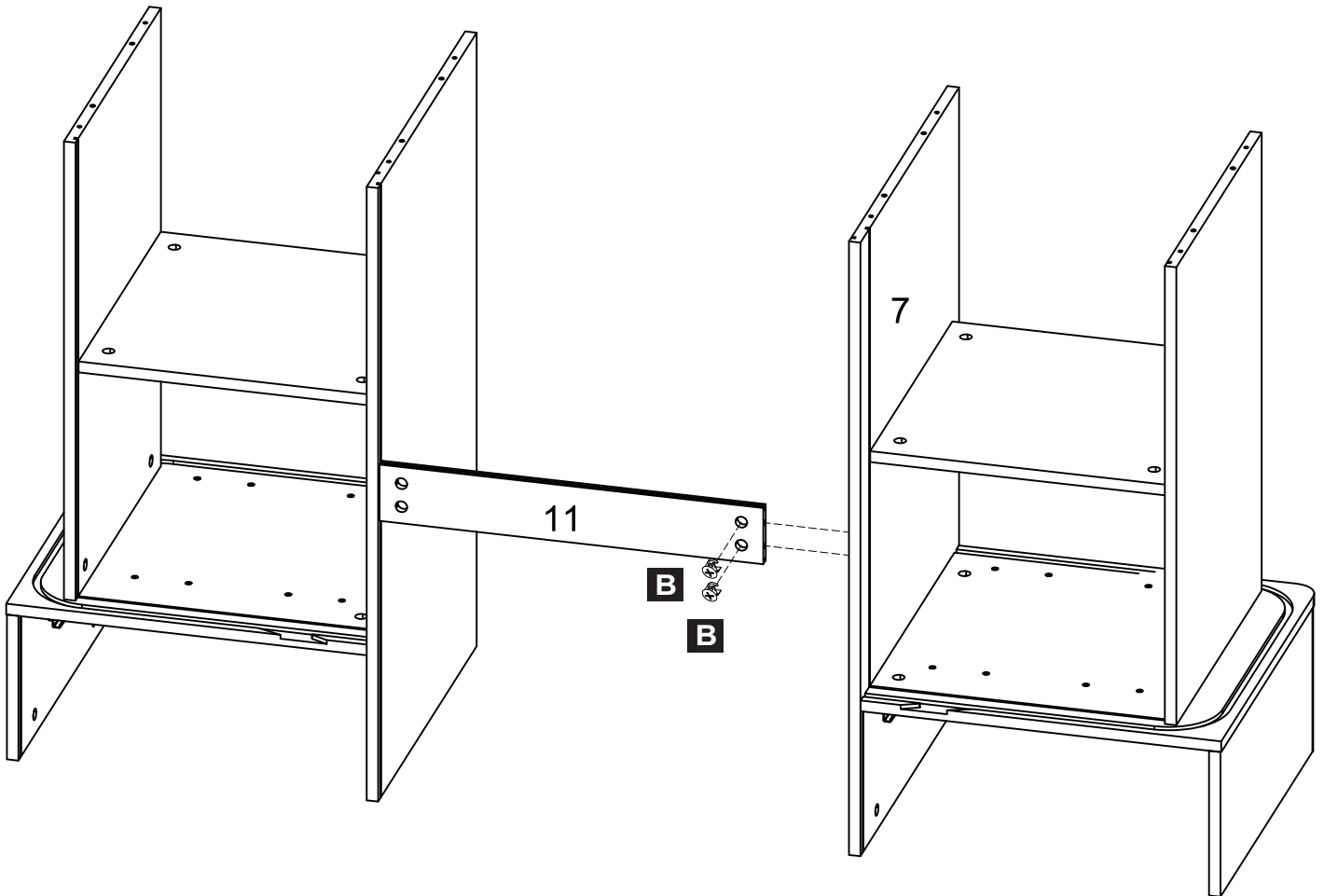
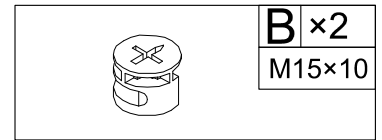
	<b>B</b> × 2		<b>C</b> × 2
	M15 × 10		M6 × 30





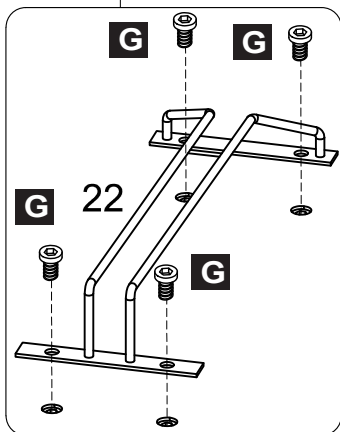
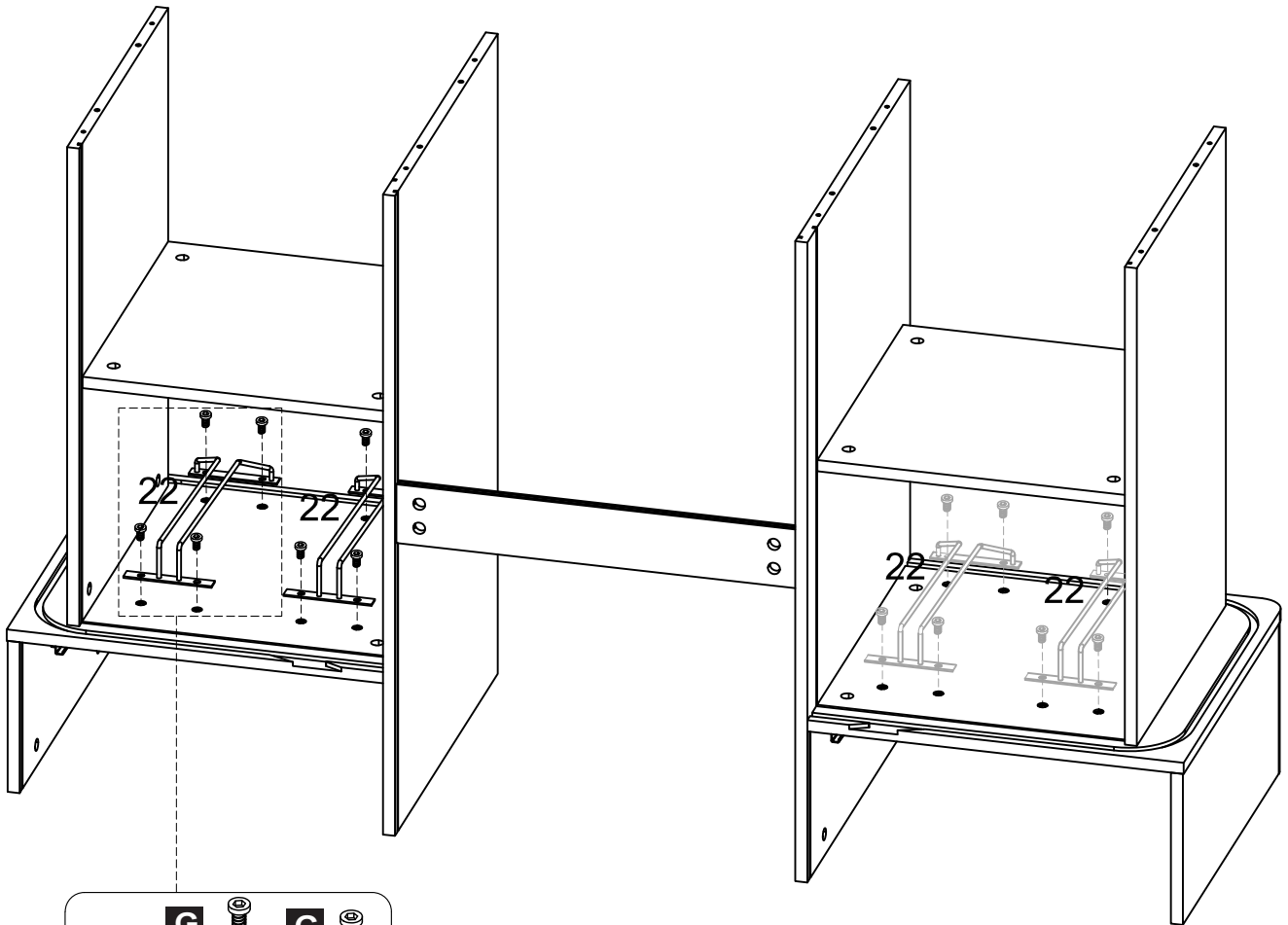
	<b>B</b> ×4		<b>C</b> ×4
	M15×10		M6×30



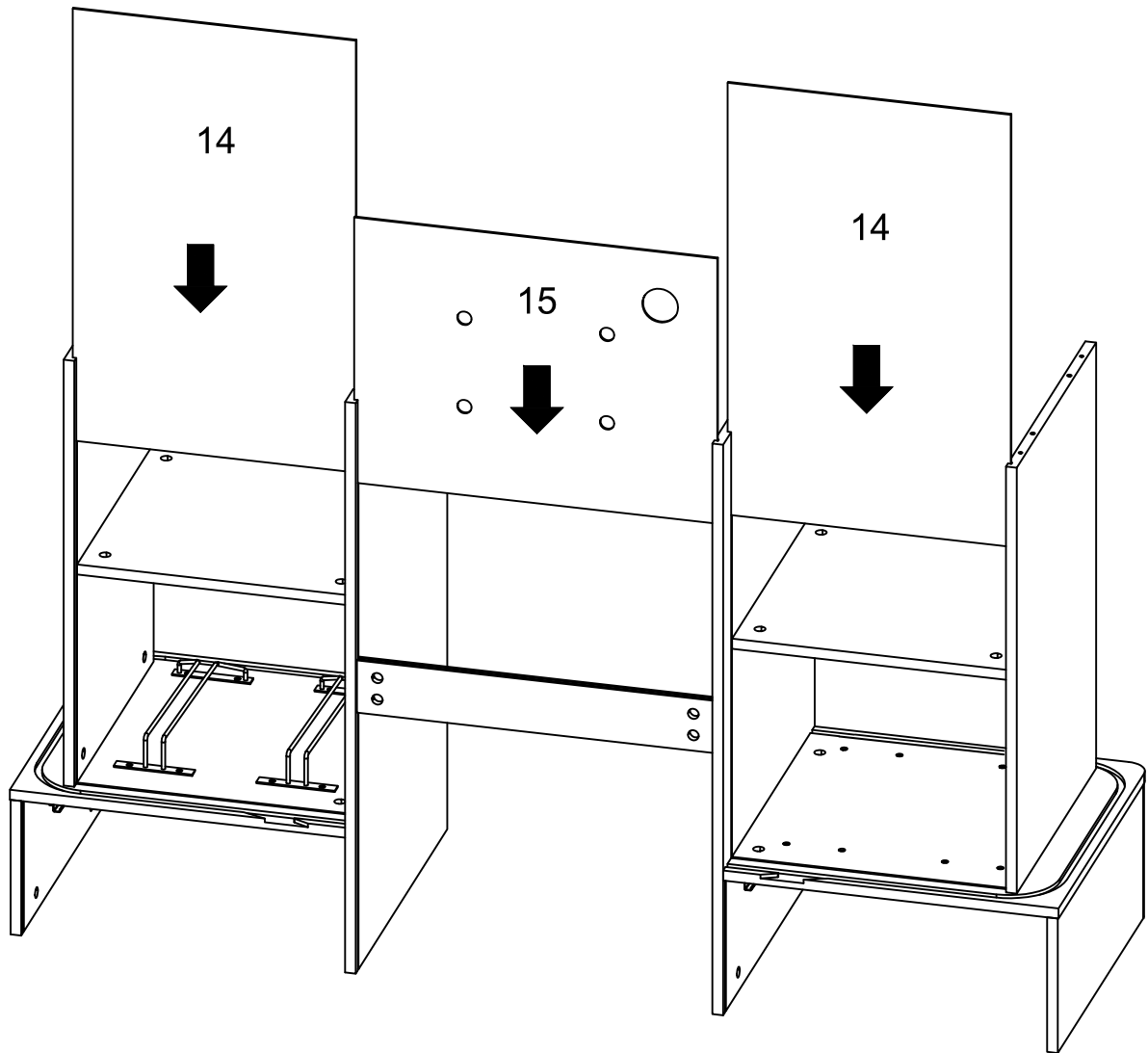


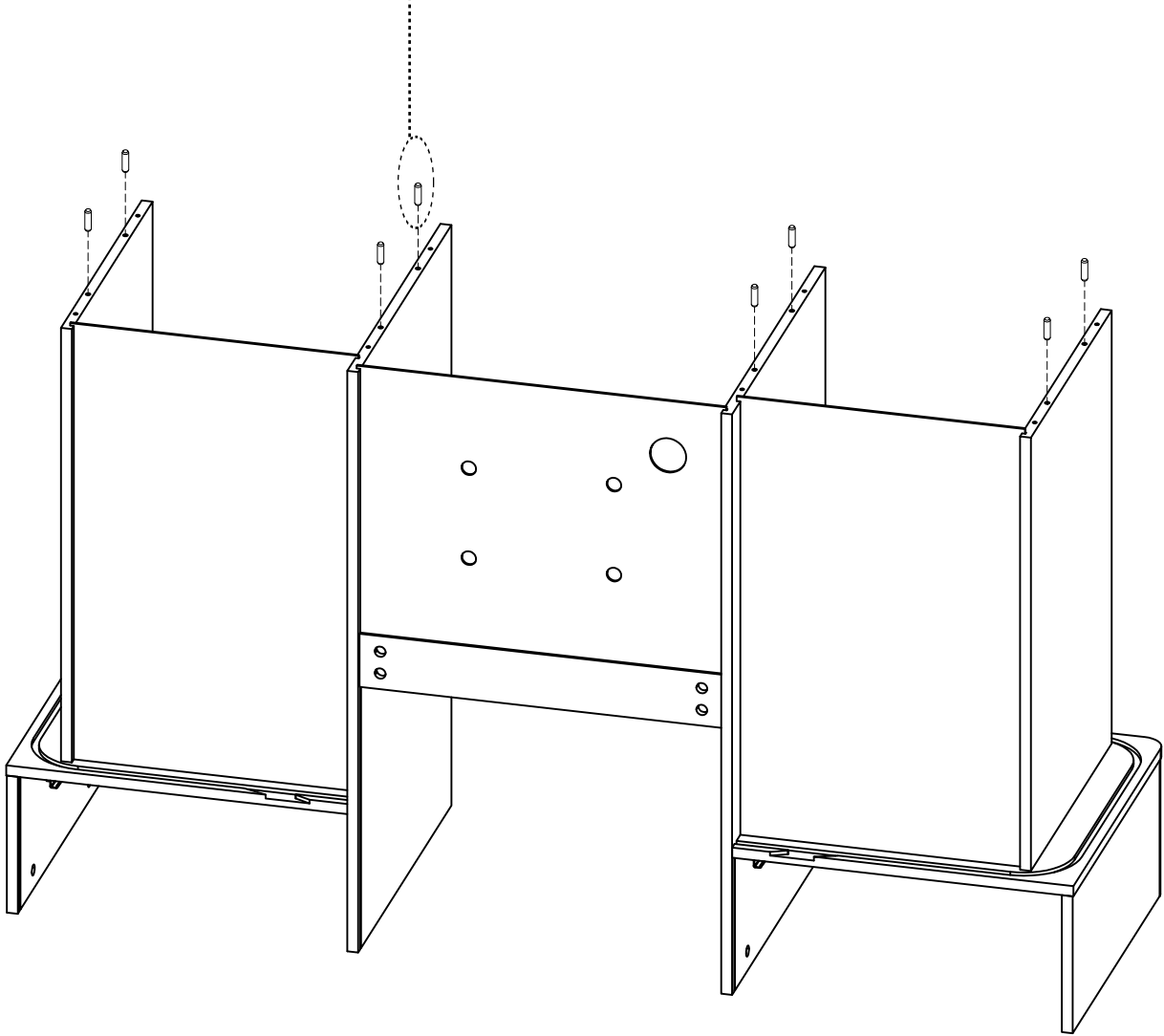
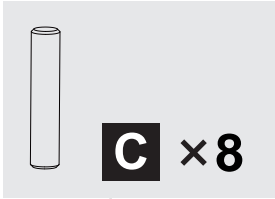
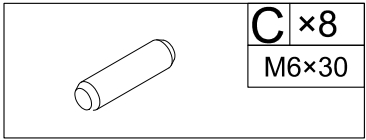




	<b>G</b> × 8		<b>S</b> × 1
	M6×12		M4

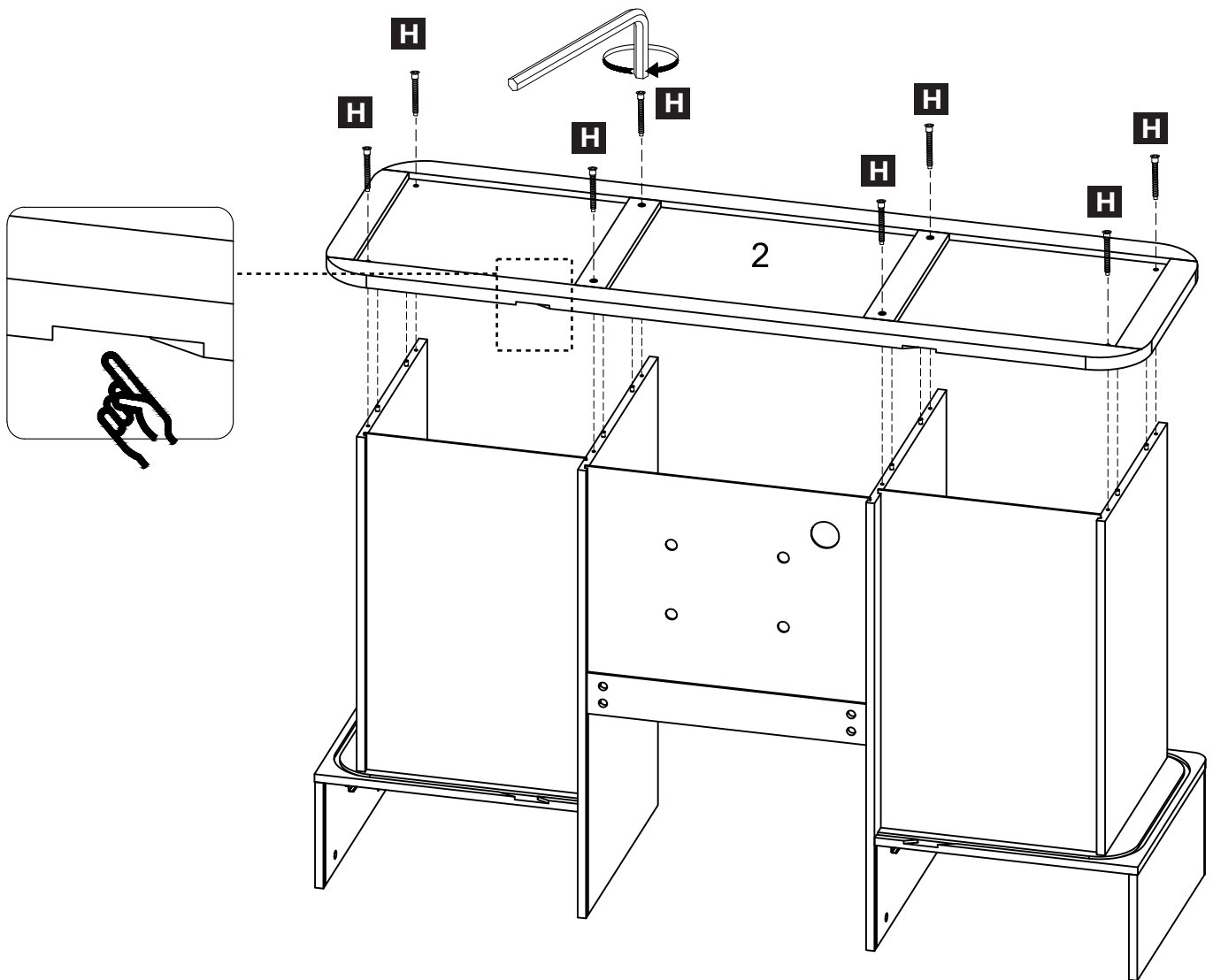



Select to install on the left or right side

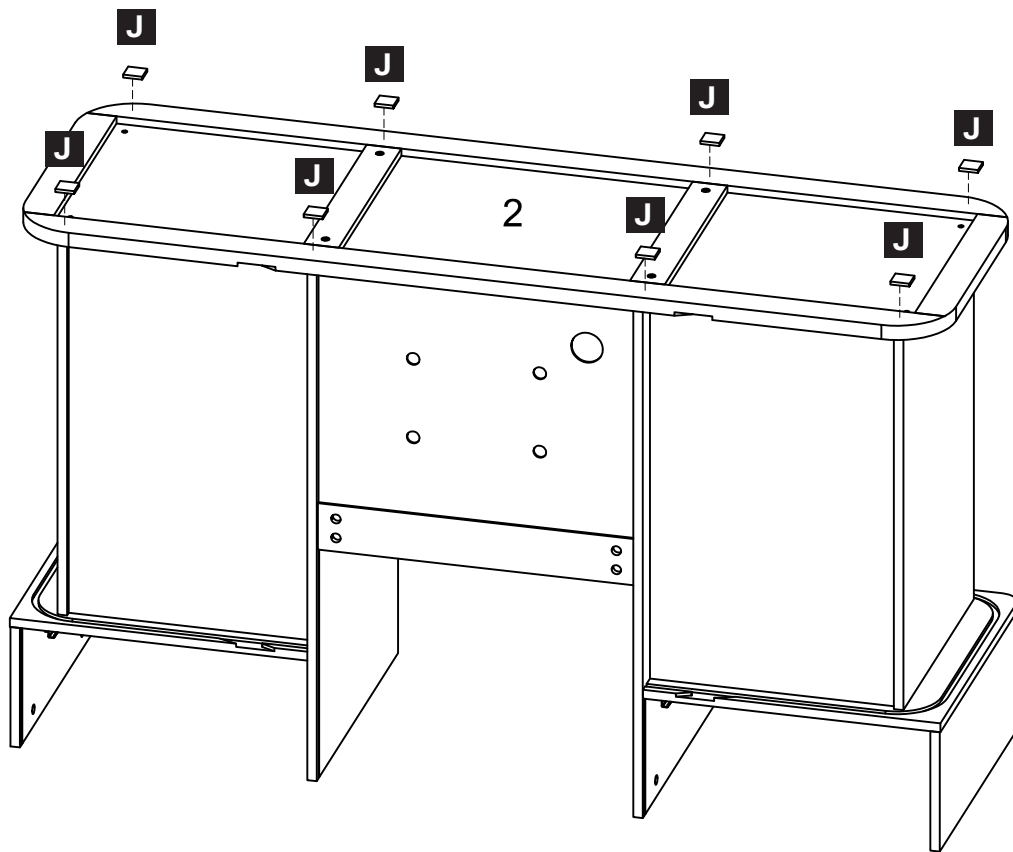
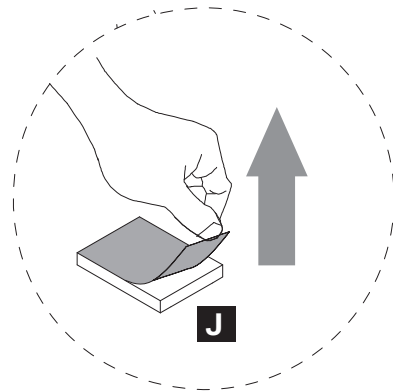


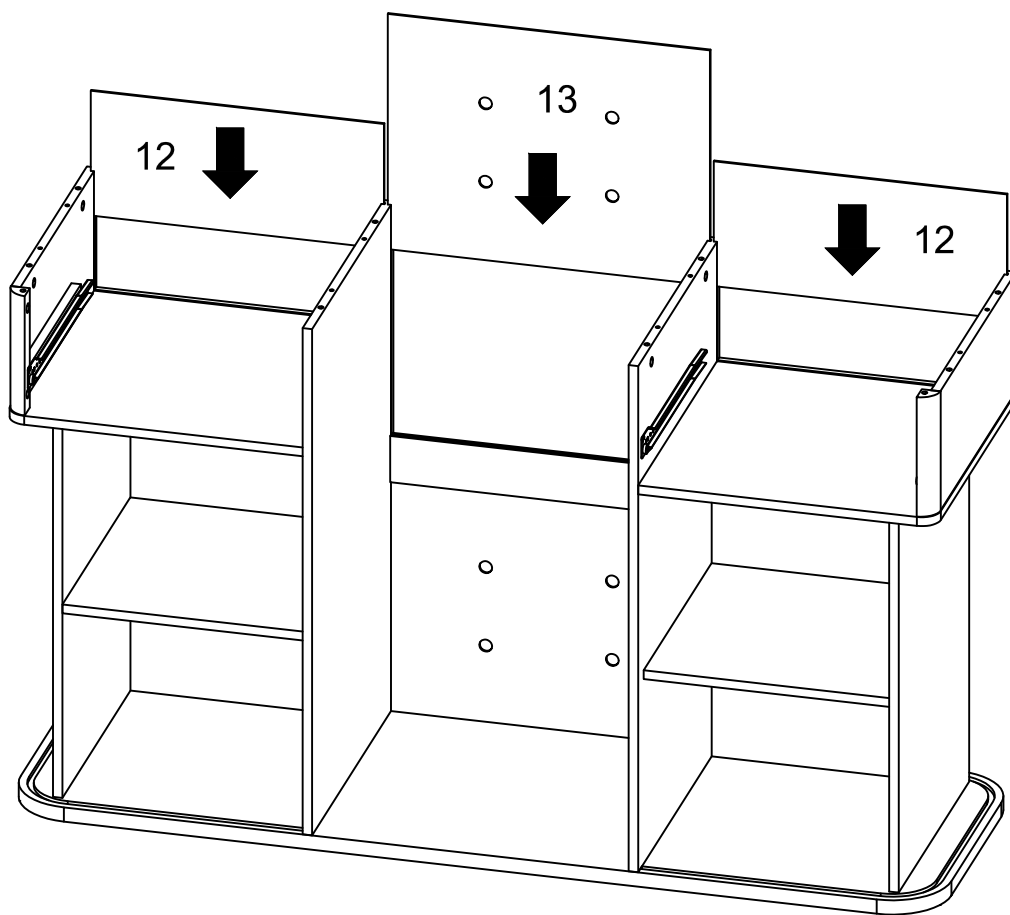


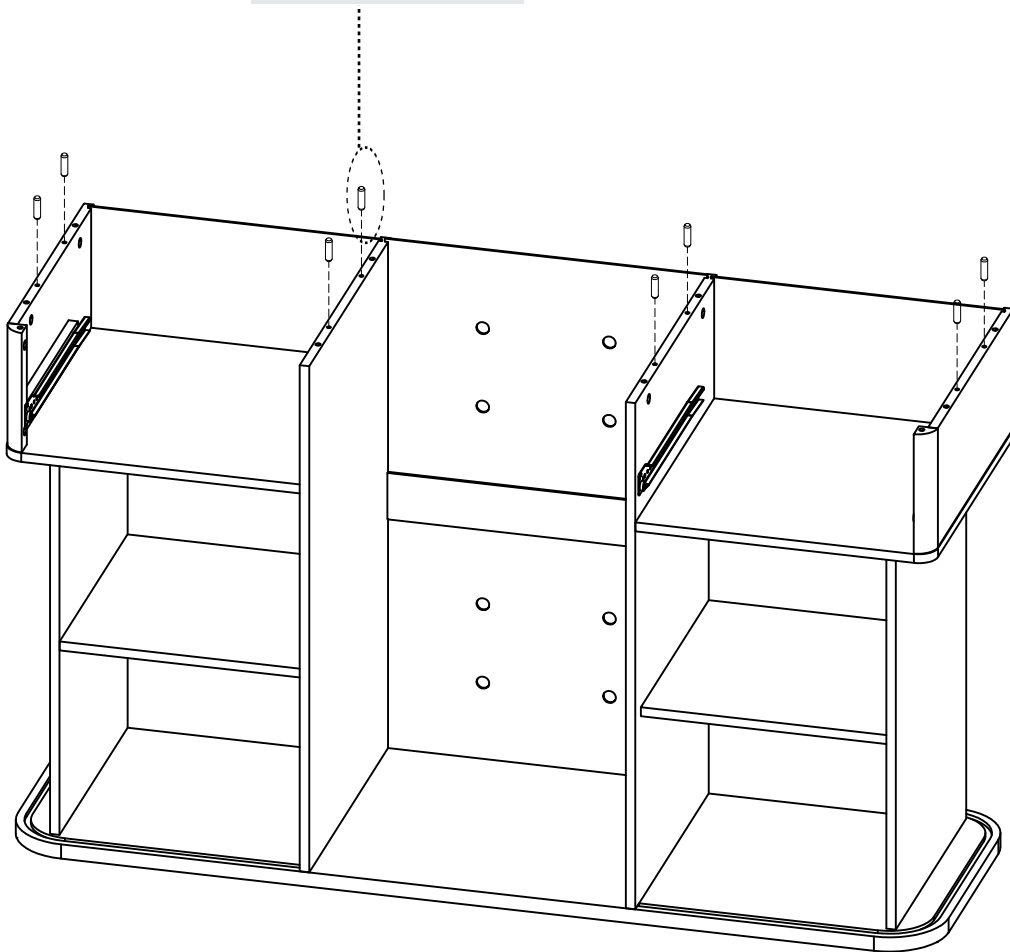
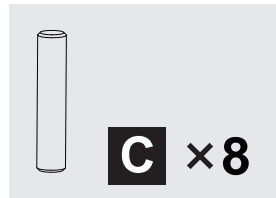
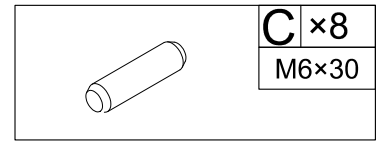
	<b>H</b> × 8 M7 × 50
	<b>S</b> × 1 M4

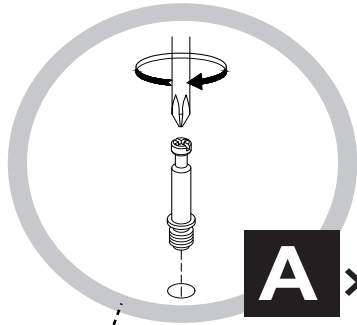


	<b>J</b> × 8
	30×30×5





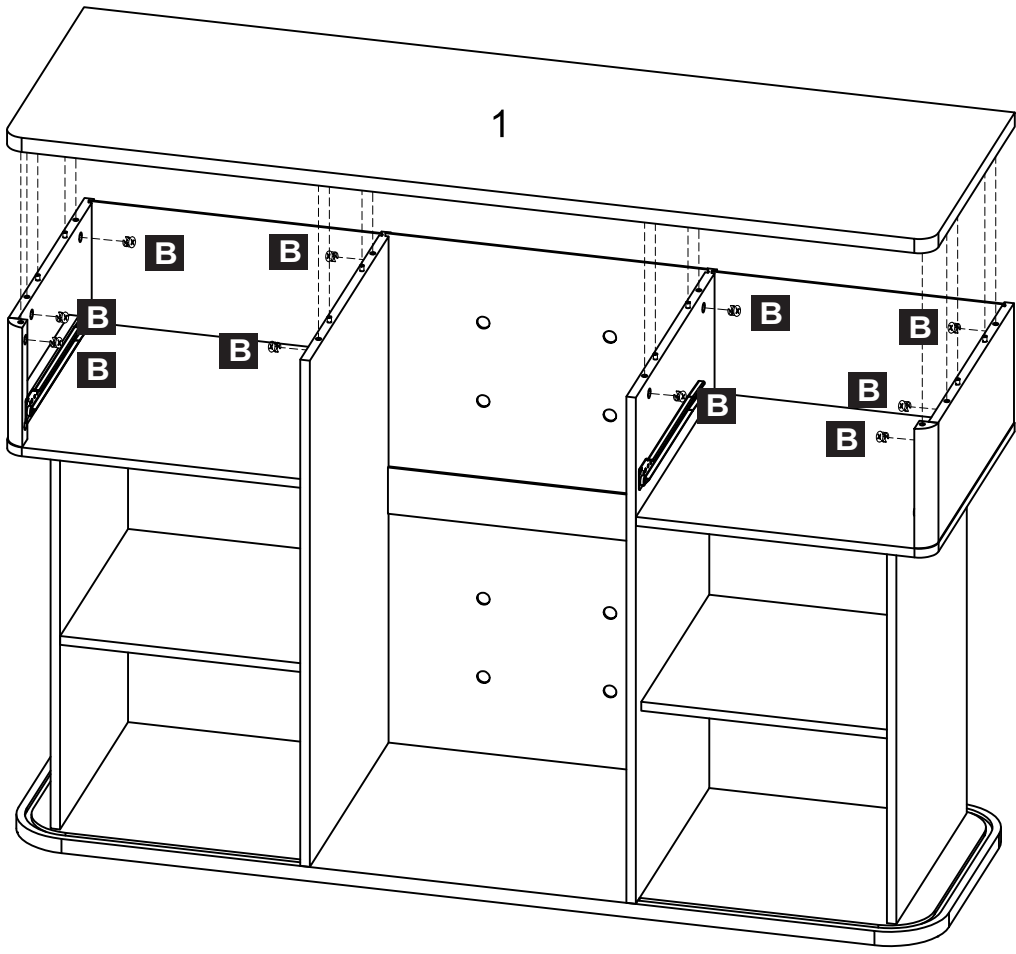
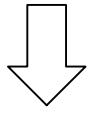
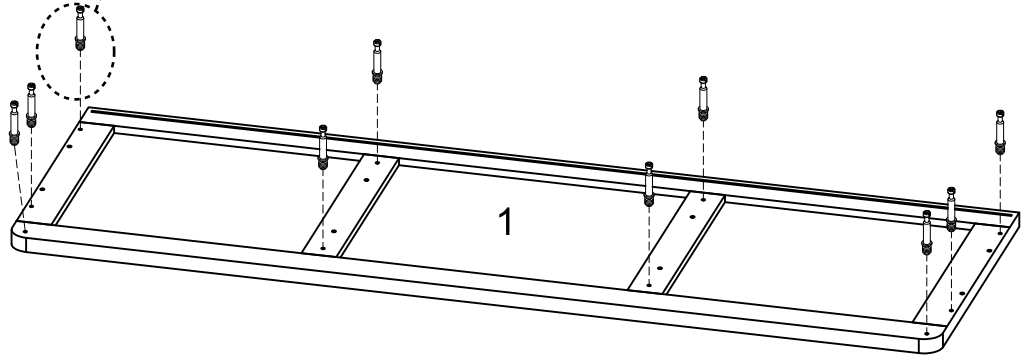


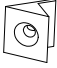



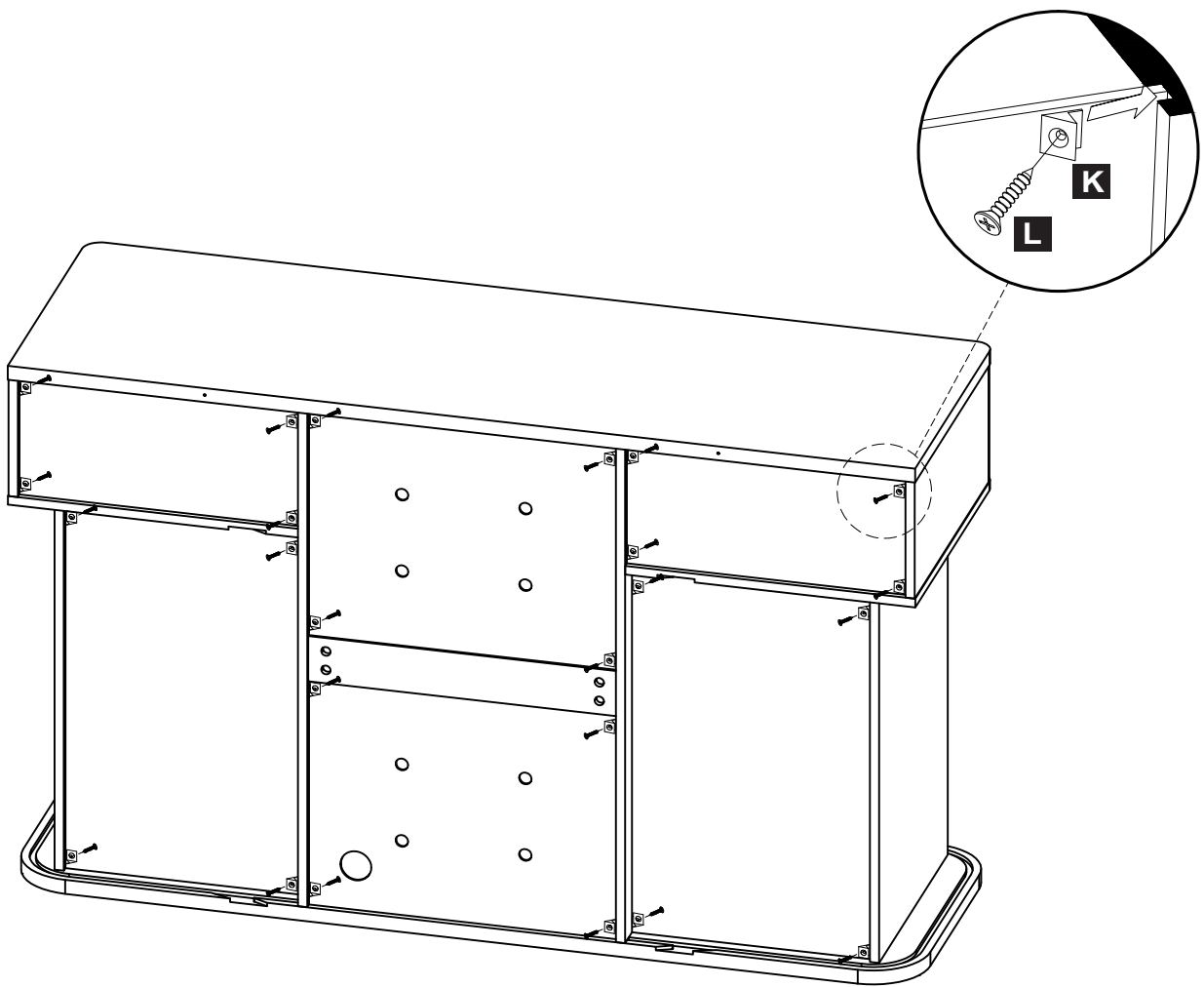



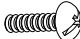
**A** × 10

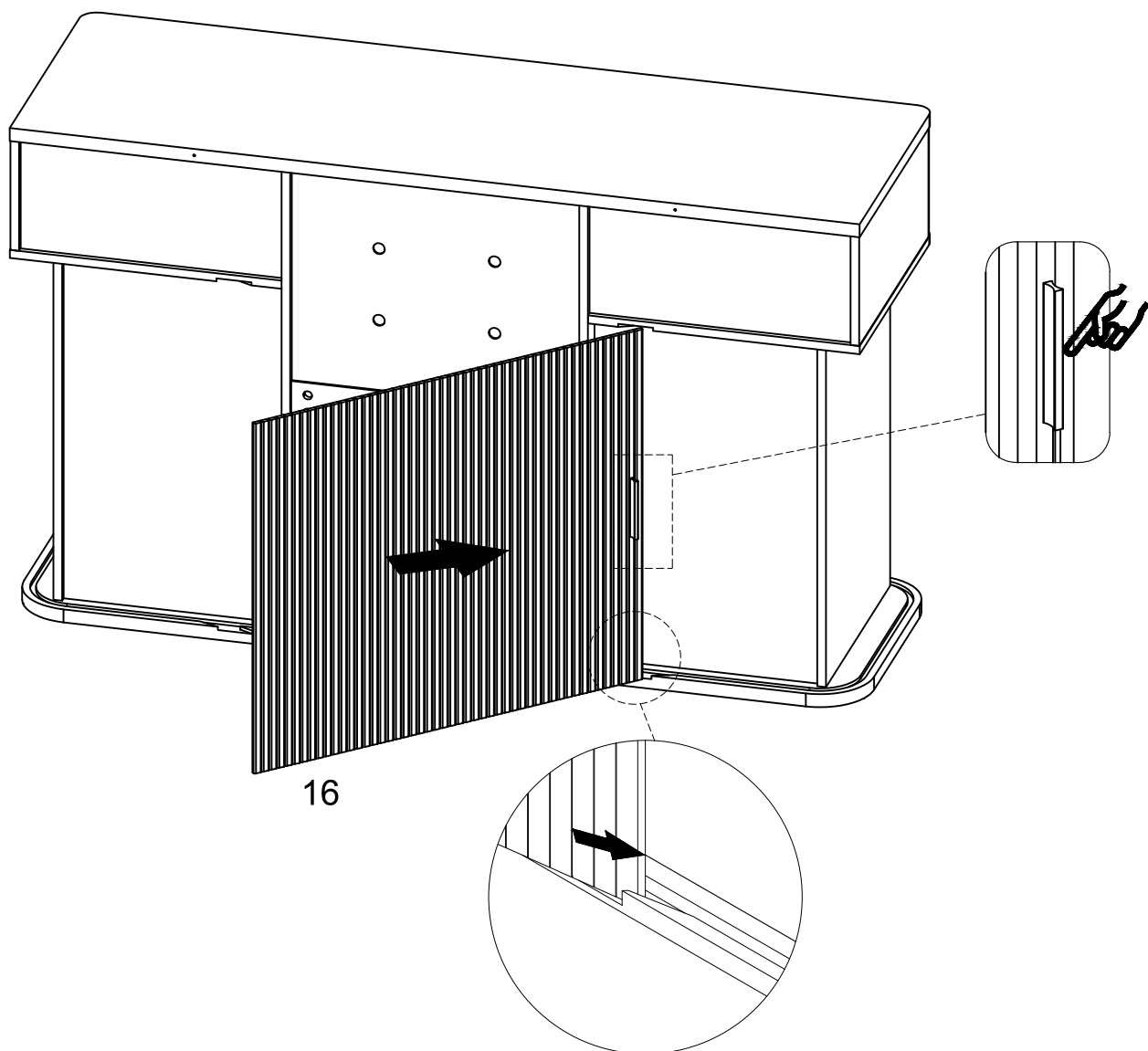
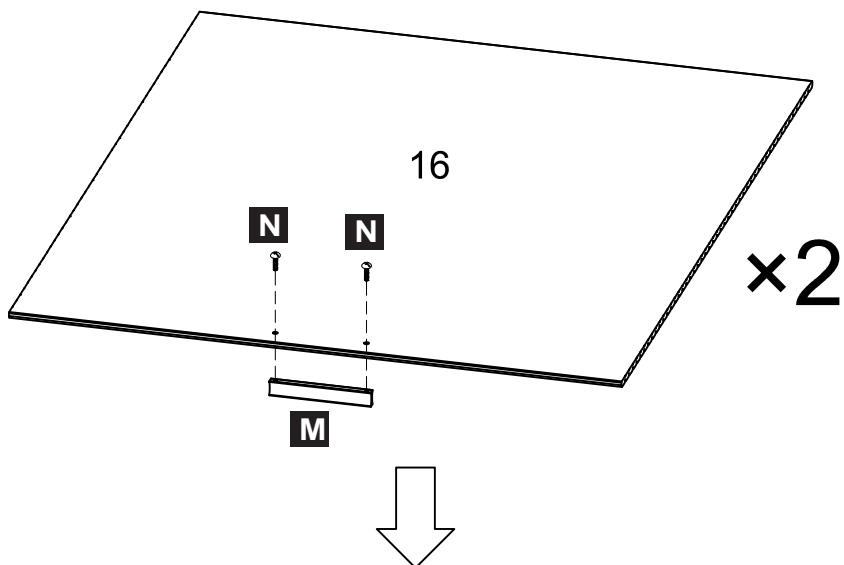
	<b>A</b> × 10		<b>B</b> × 10
	M6 × 35		M15 × 10

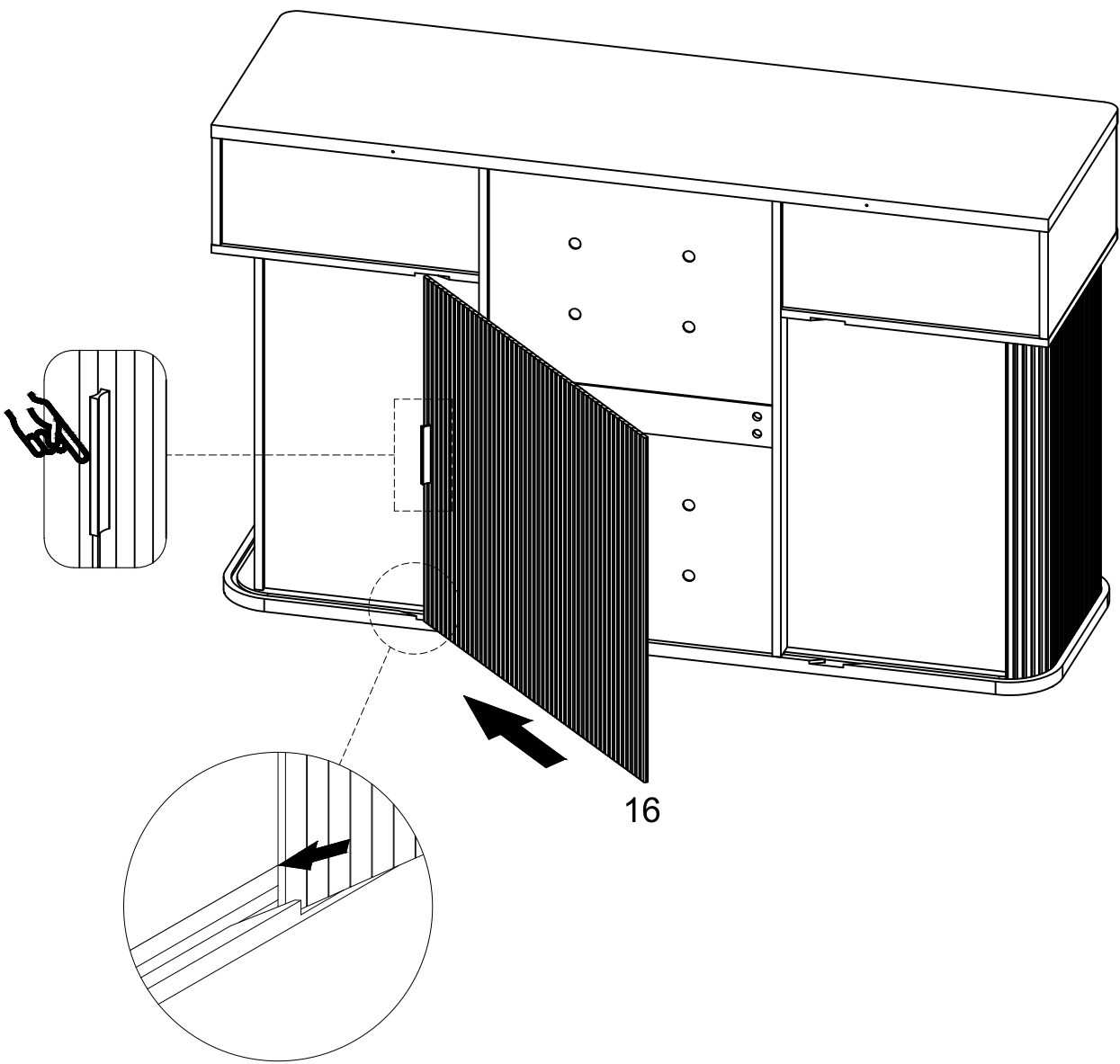





	<b>K</b> x24		<b>L</b> x24 M3x14
---	--------------	---	-----------------------

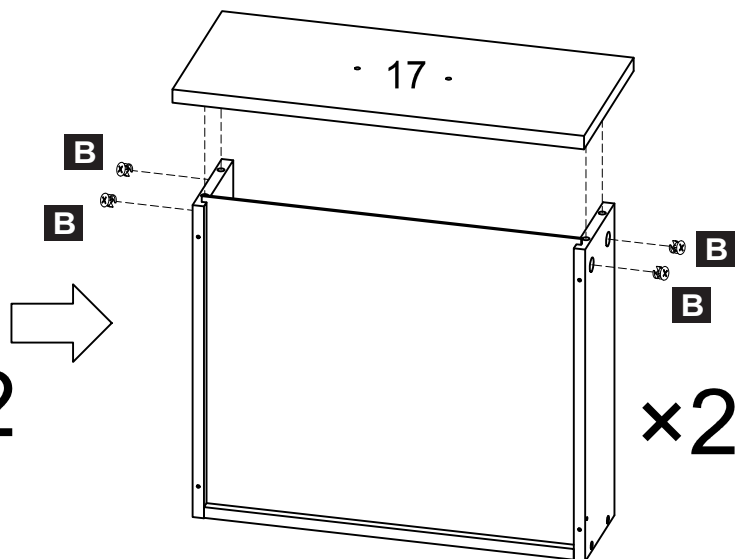
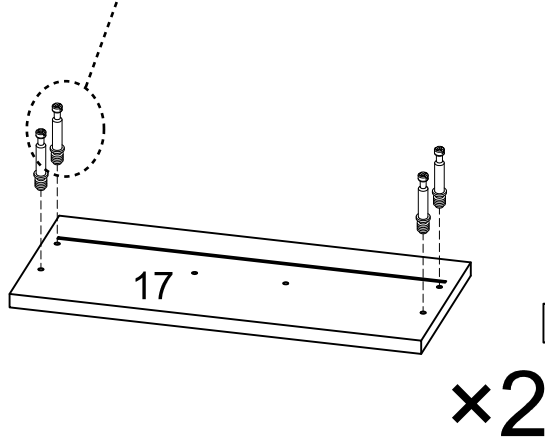
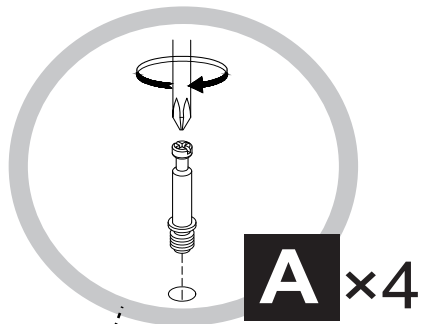
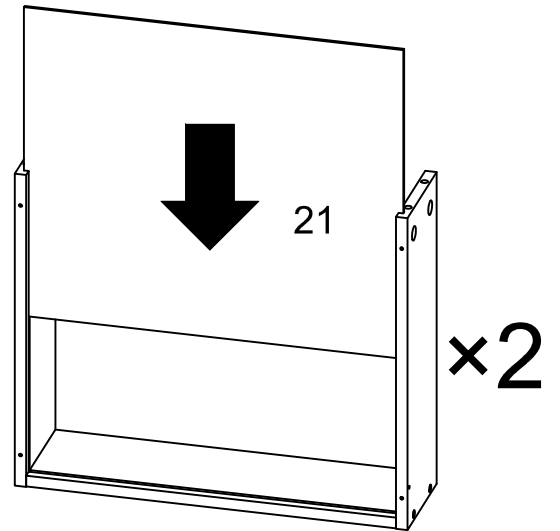
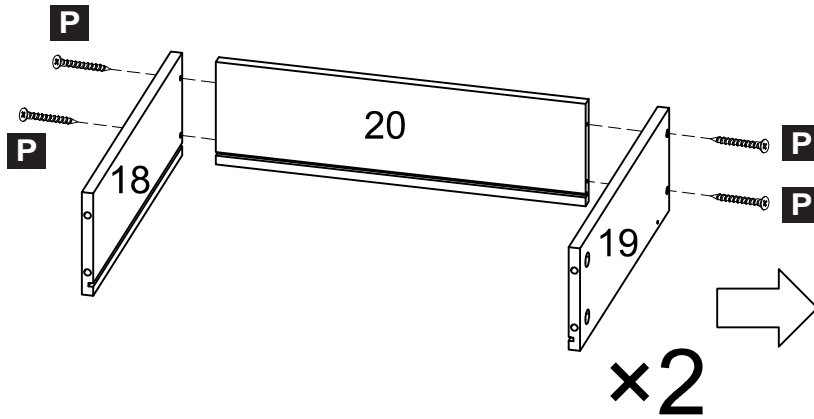





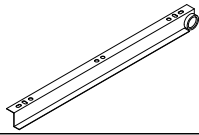
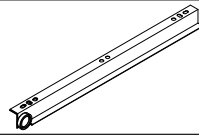
	M x 2		N x 4 M4 x 10
--	-------	---	------------------

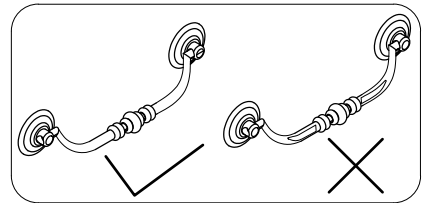
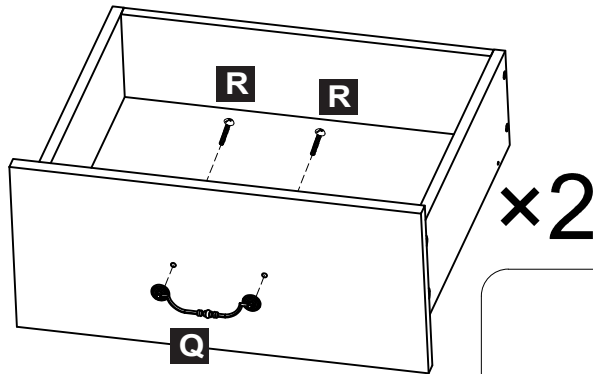




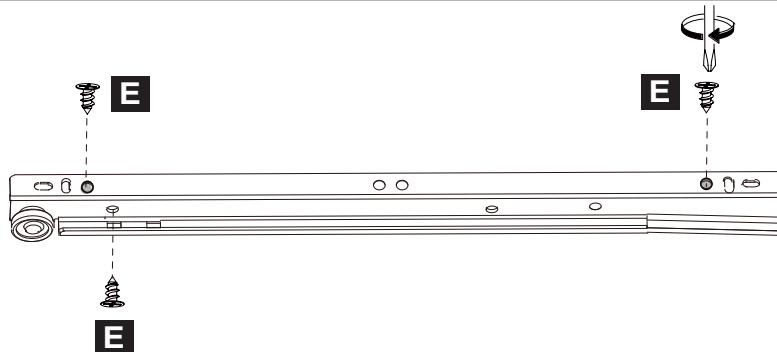
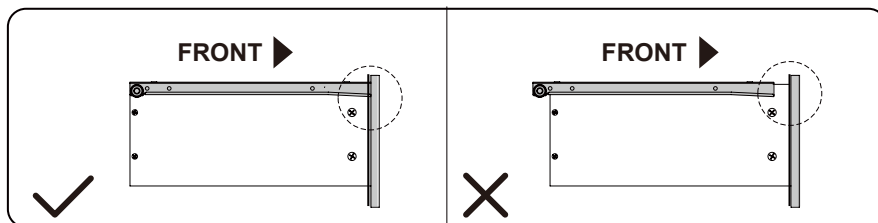
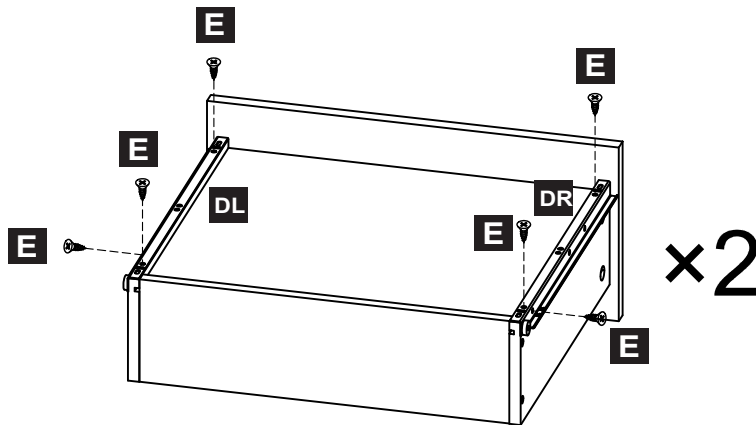
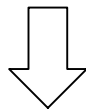
	<b>A</b> × 8		<b>B</b> × 8
	M6×35		M15×10
			<b>P</b> × 8
			M4×35

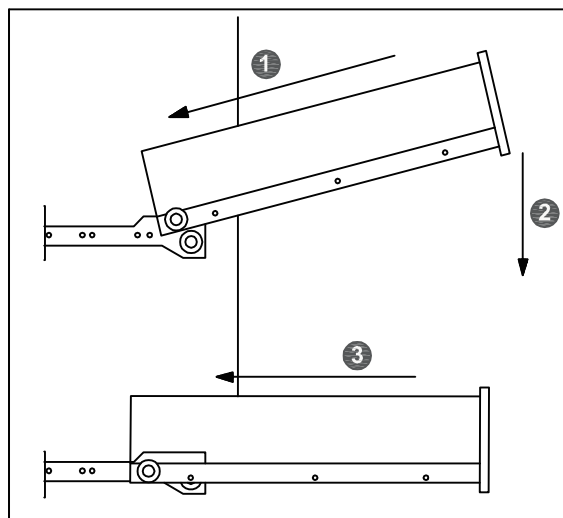
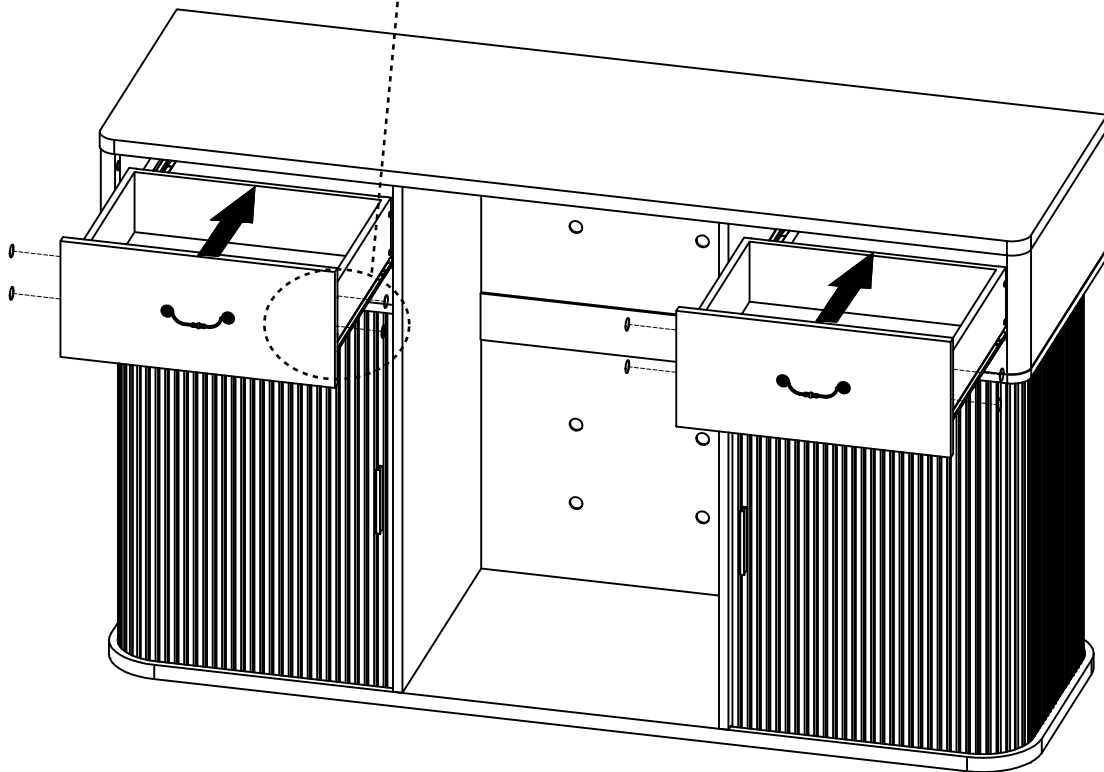
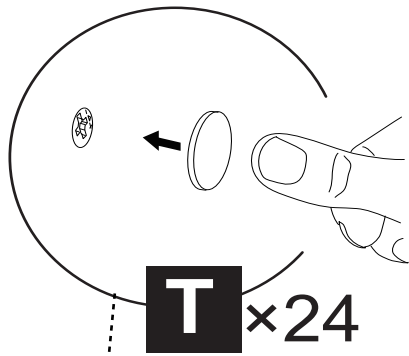
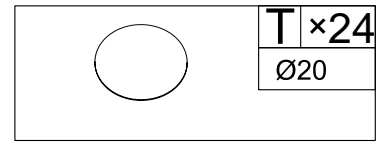


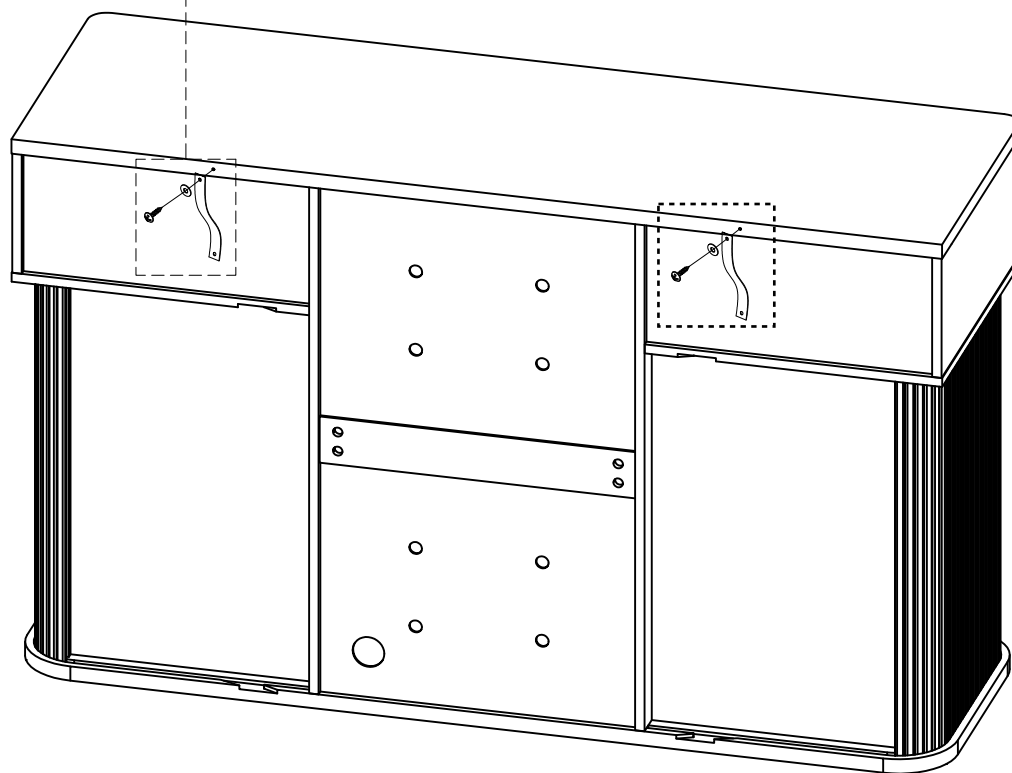
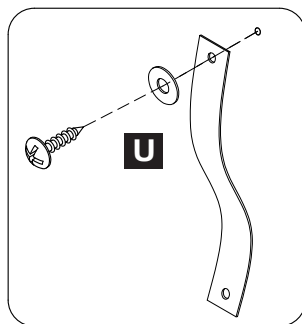
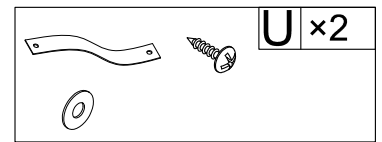
	<b>Q</b> × 2		<b>R</b> × 4 M4×20
	<b>E</b> × 12 M3×12		<b>DL</b> × 2
			<b>DR</b> × 2

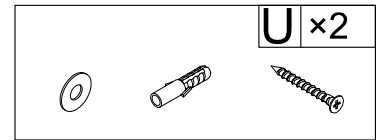


Note: Front and reverse side of handle









**WALL**

(1)

**WALL**  
drilling hole  
Ø6x30mm

(2)

**WALL**

(3)

(4)

