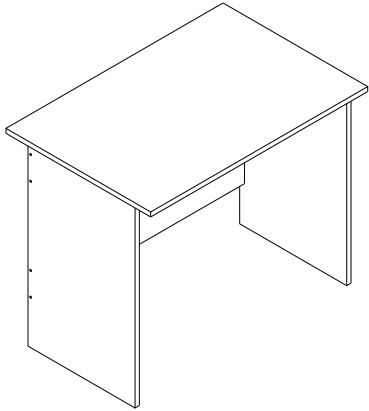


INSTALLATION AND USE MANUAL

YOU CAN SUPPORT WITH THE FOLLOWING COMMUNICATION INFORMATION ON PROBLEMS WITH THE PRODUCT SET UP.



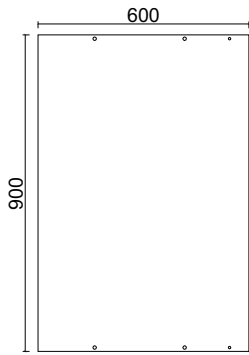
STUDY DESK 35inch



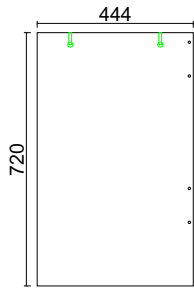
ACCESSORIES LIST

 Minifix Body (TITUS)	 Minifix Mil (TITUS)	 Minifix Stopper (WHITE)
4x	4x	4x
 Cabin Screw Alyan Head 50 lik	 Kabin screw Stopper (WHITE)	 SPIKED PAPUCA (WHITE)
8x	8x	4x
		 Alyan KEY 4lük
		1x

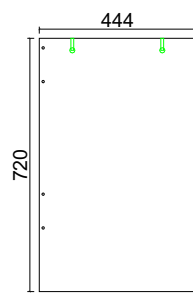
PIECE PICTURES



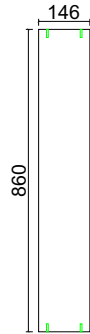
TOP PANEL 90



LEFT SIDE 90



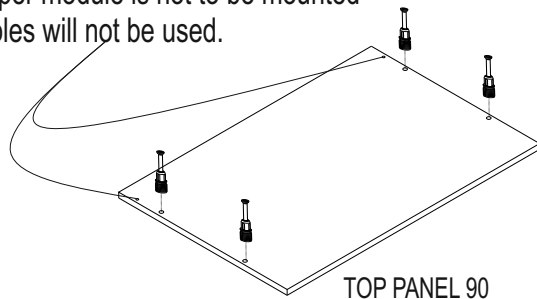
RIGHT SIDE 90



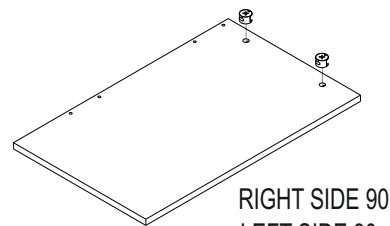
LAPEL 90
2 ADET

ACCESSORIES INSTALLATION & PREPARATION

If the upper module is not to be mounted these holes will not be used.

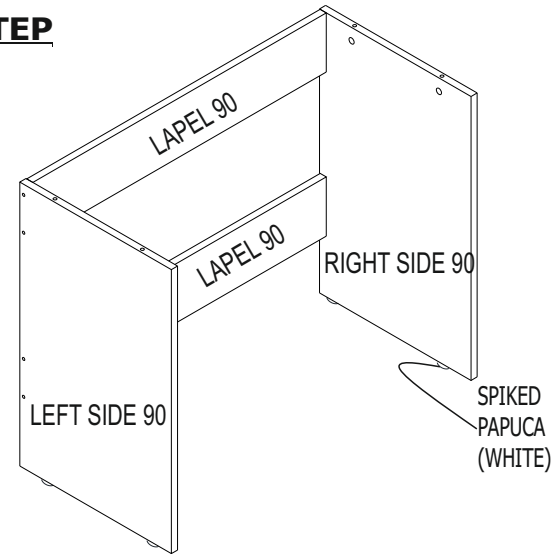


TOP PANEL 90



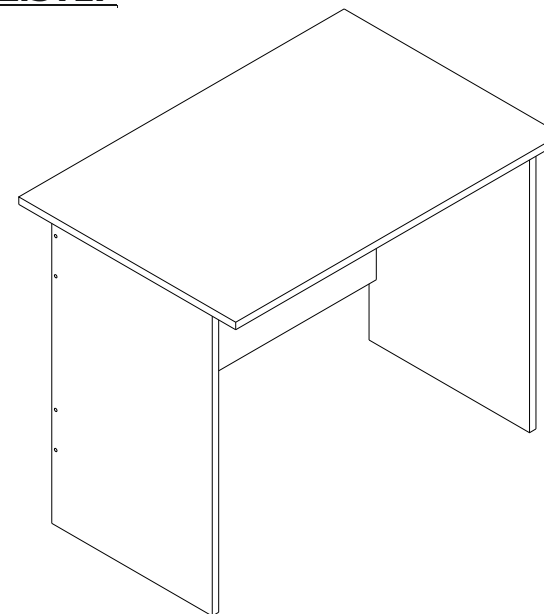
RIGHT SIDE 90
LEFT SIDE 90

1.STEP

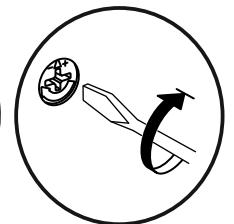
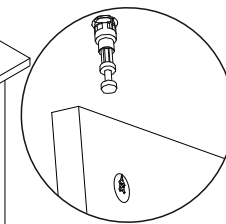


SPIKED
PAPUCA
(WHITE)

2.STEP



TOP PANEL 72



Kabin screw Stopper & Minifix stopper

