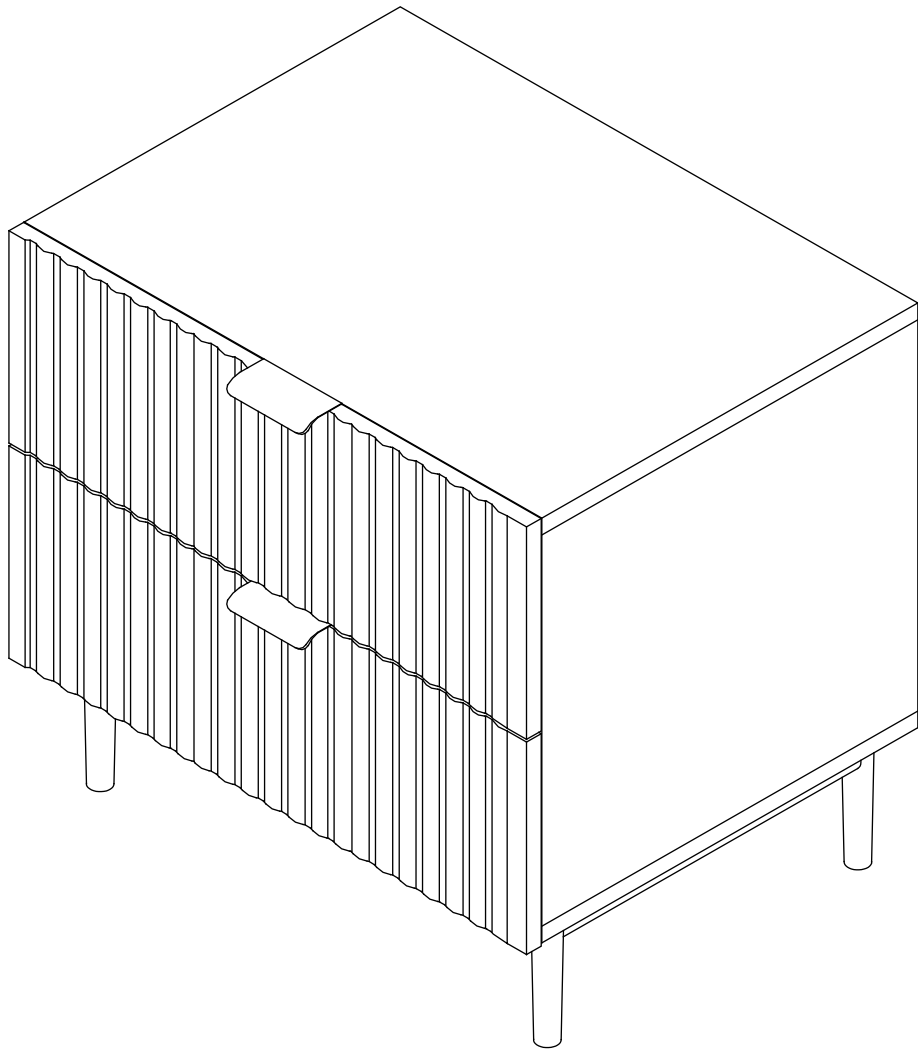
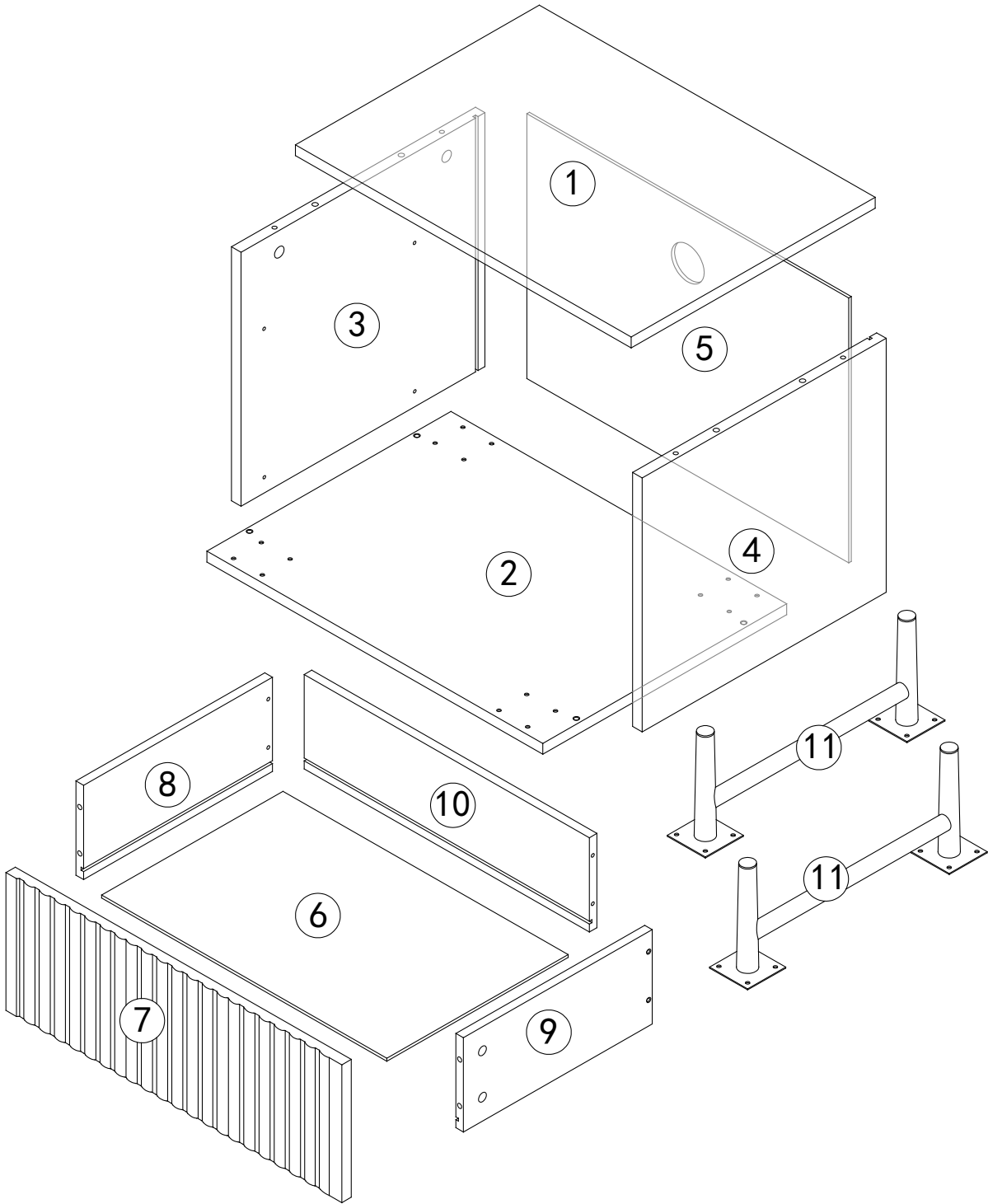


ASSEMBLY INSTRUCTION

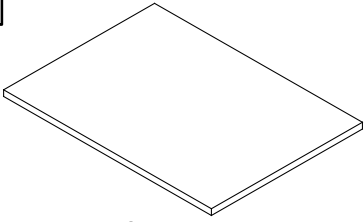


ASSEMBLY INSTRUCTION

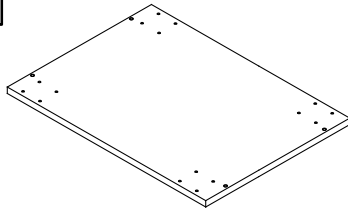


PART LIST

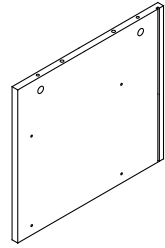
1



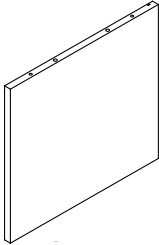
2



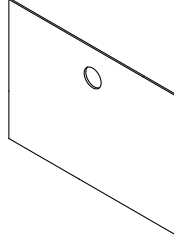
3



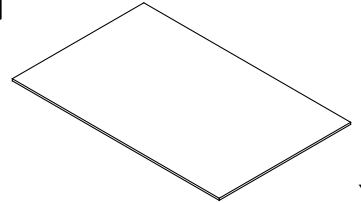
4



5

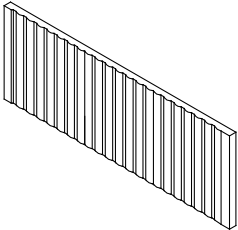


6



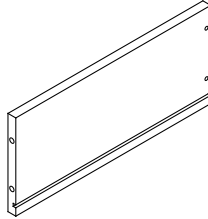
x2

7



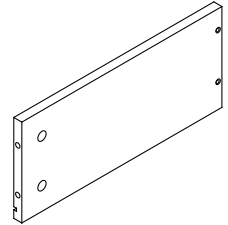
x2

8



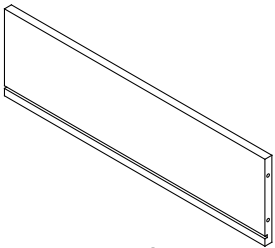
x2

9



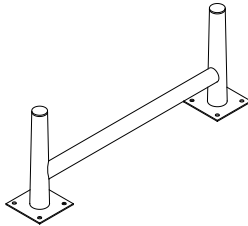
x2

10



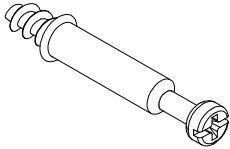
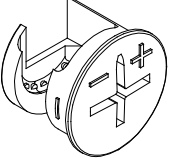
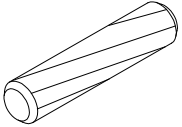
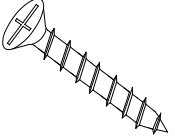
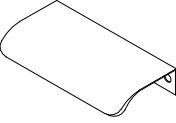
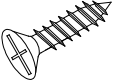
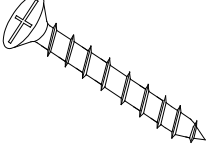

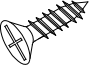
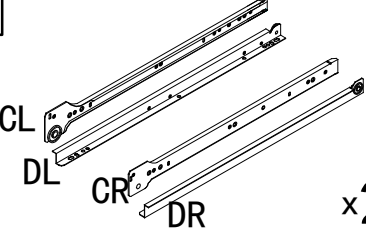
x2

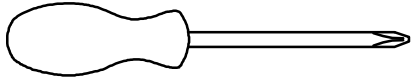
11



x2

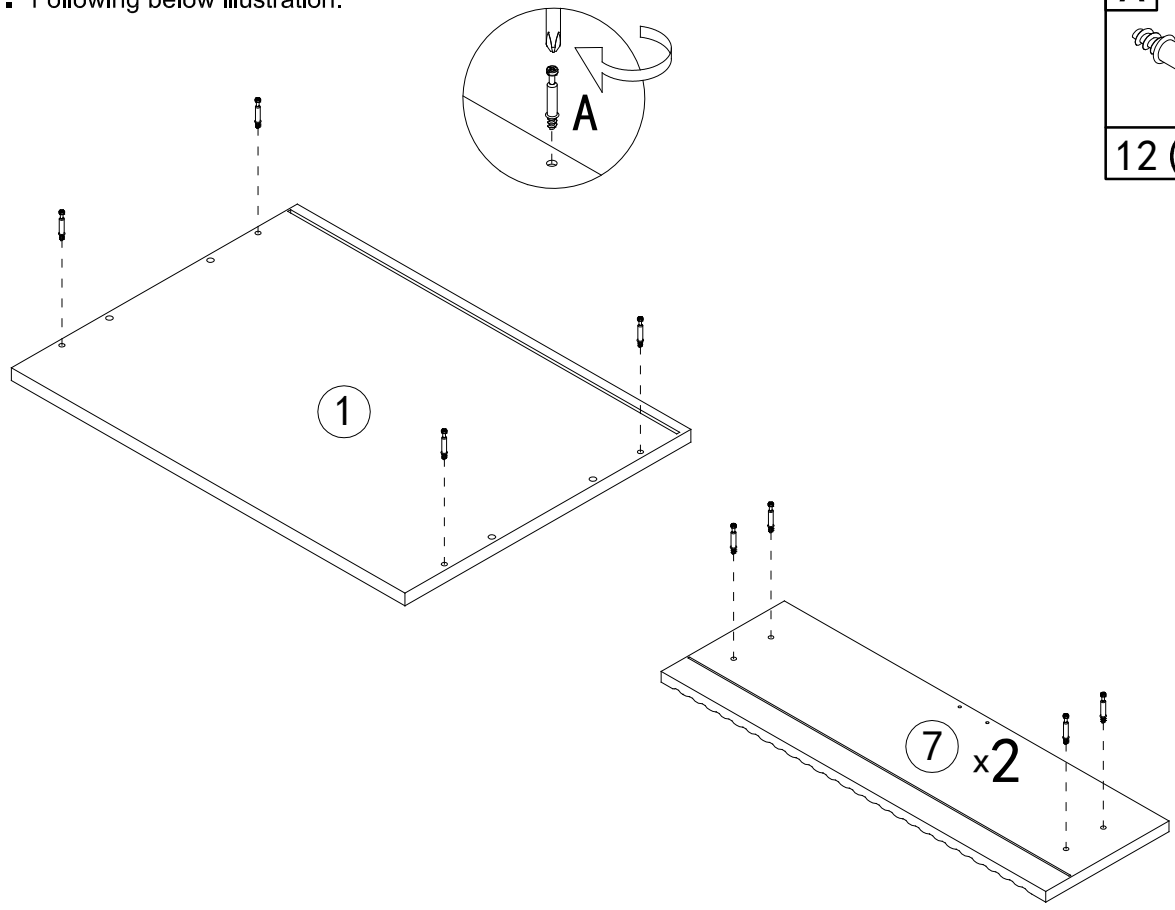
PART LIST

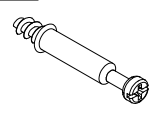
A  <div style="text-align: right;">x12</div>	B  <div style="text-align: right;">x12</div>	C  <div style="text-align: right;">x8</div>
D  <div style="text-align: right;">x8</div>	E  <div style="text-align: right;">x2</div>	F  <div style="text-align: right;">x4</div>
G  <div style="text-align: right;">x4</div>	H  <div style="text-align: right;">x16</div>	I  <div style="text-align: right;">x16</div>
J  <div style="text-align: right;">x2</div>		



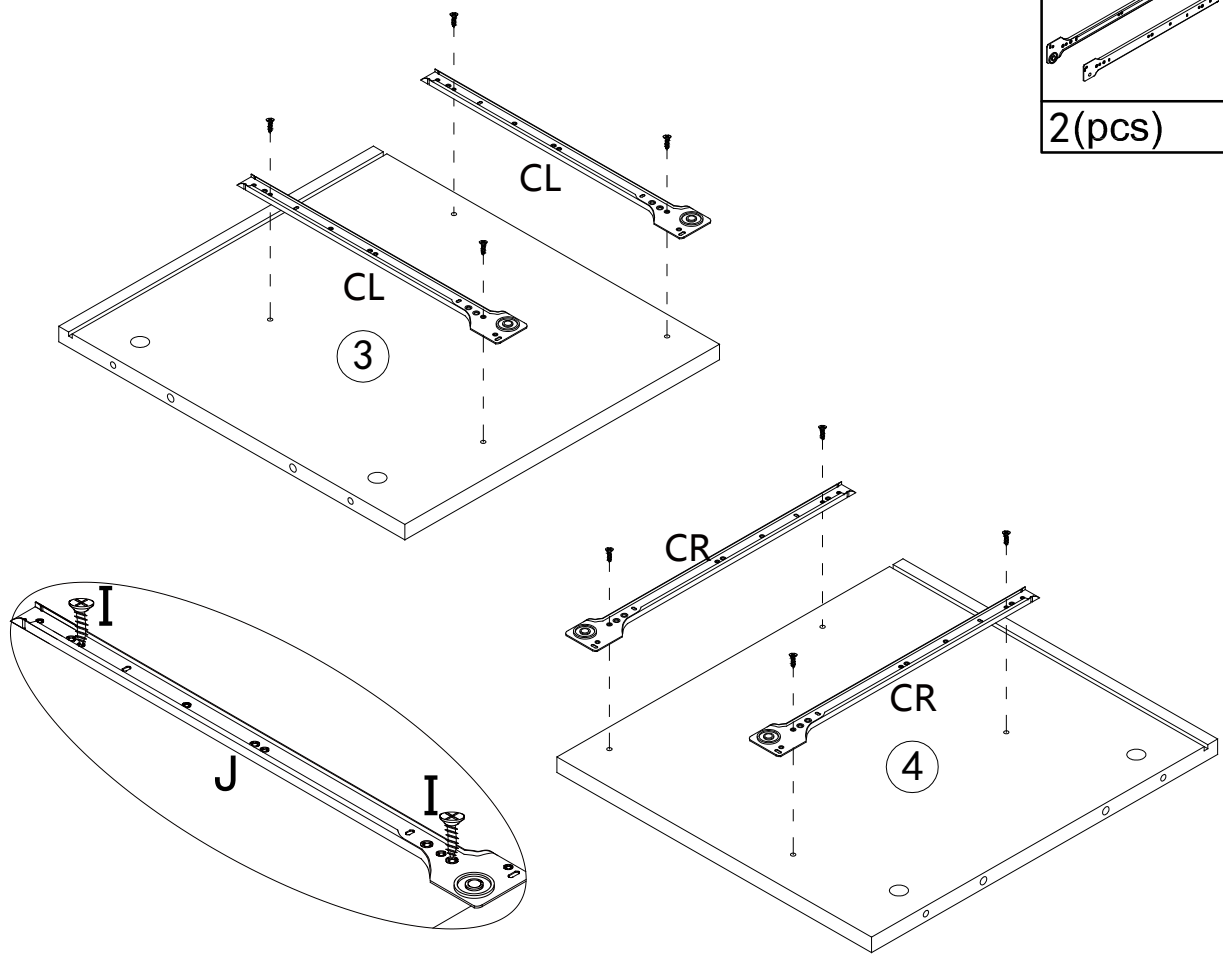
Assembly Tools Required (Not Included)

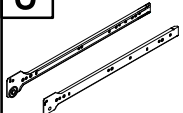

STEP1: Following below illustration.



A

12 (pcs)

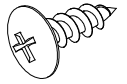
STEP2: Following below illustration.



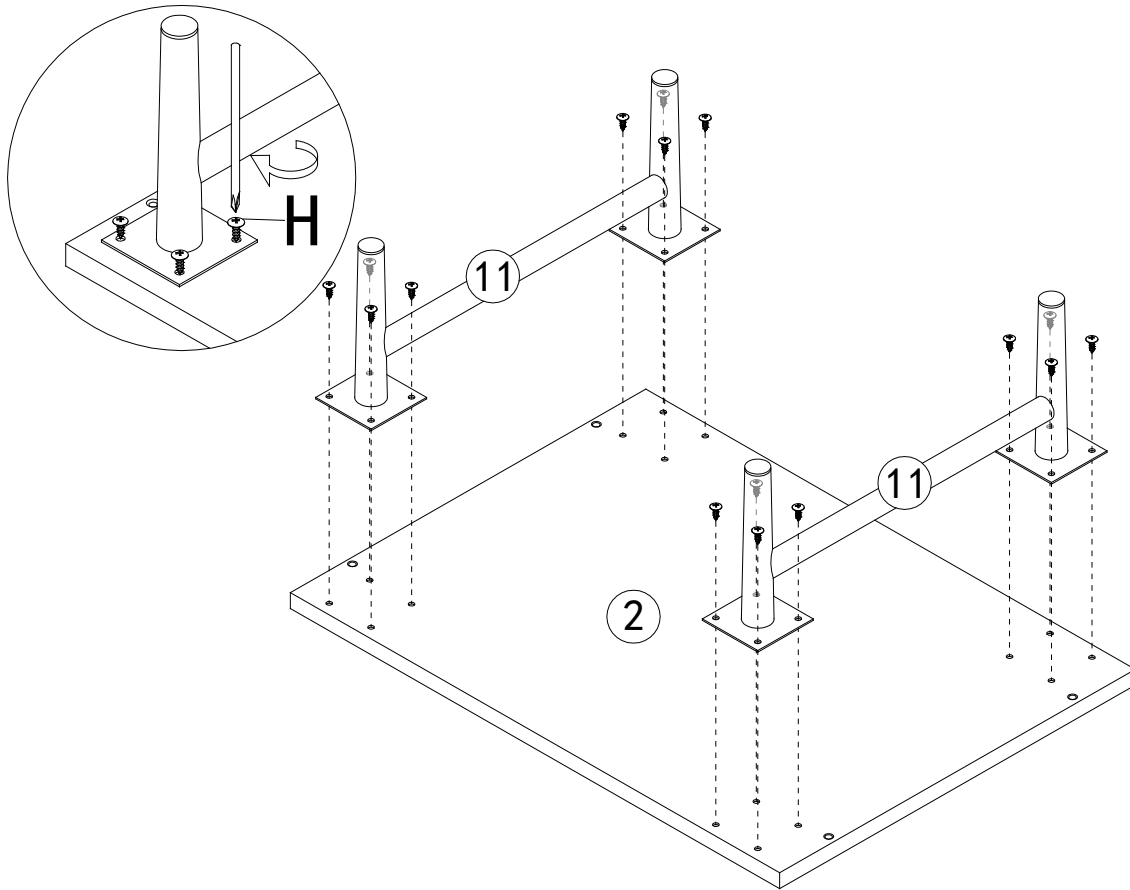
J	I
	
2 (pcs)	8 (pcs)

STEP3: Following below illustration.

H

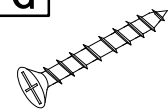


16 (pcs)



STEP4: Following below illustration.

G

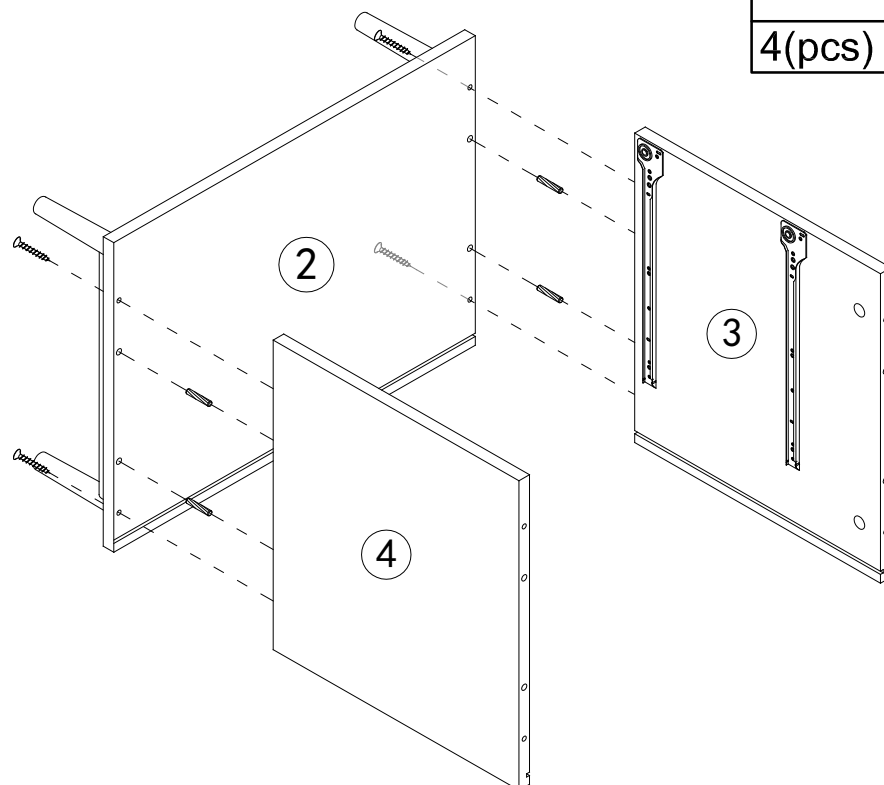
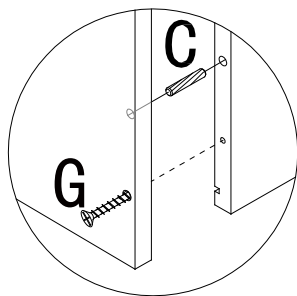


4 (pcs)

C



4 (pcs)

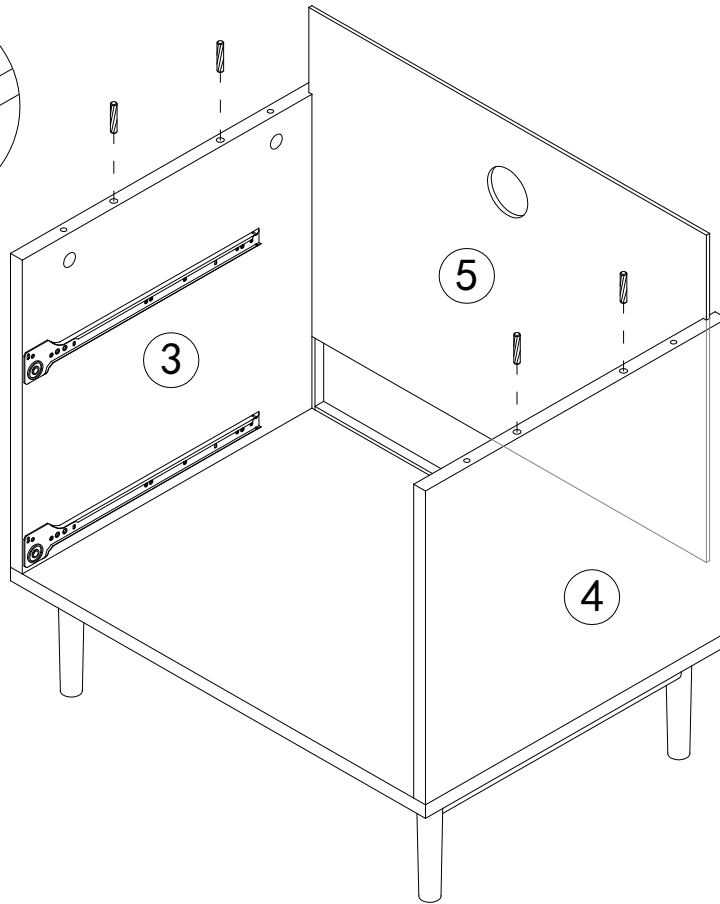
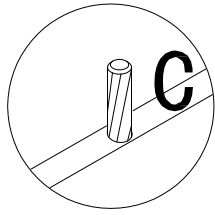


STEP5: Following below illustration.

C

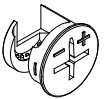


4(pcs)

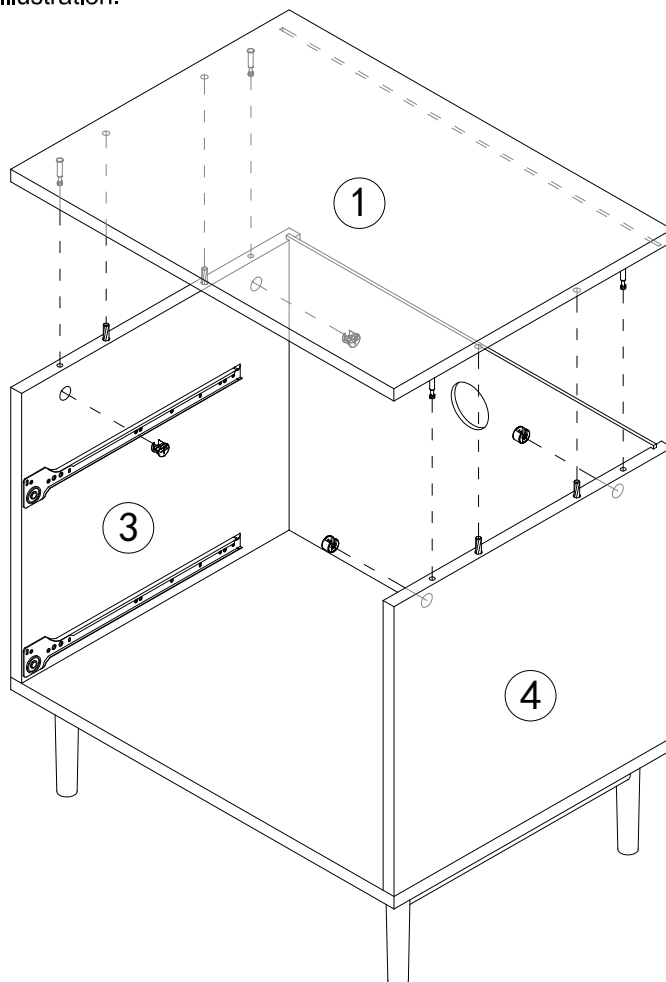
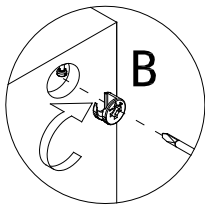


STEP6: Following below illustration.

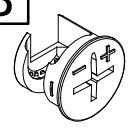
B

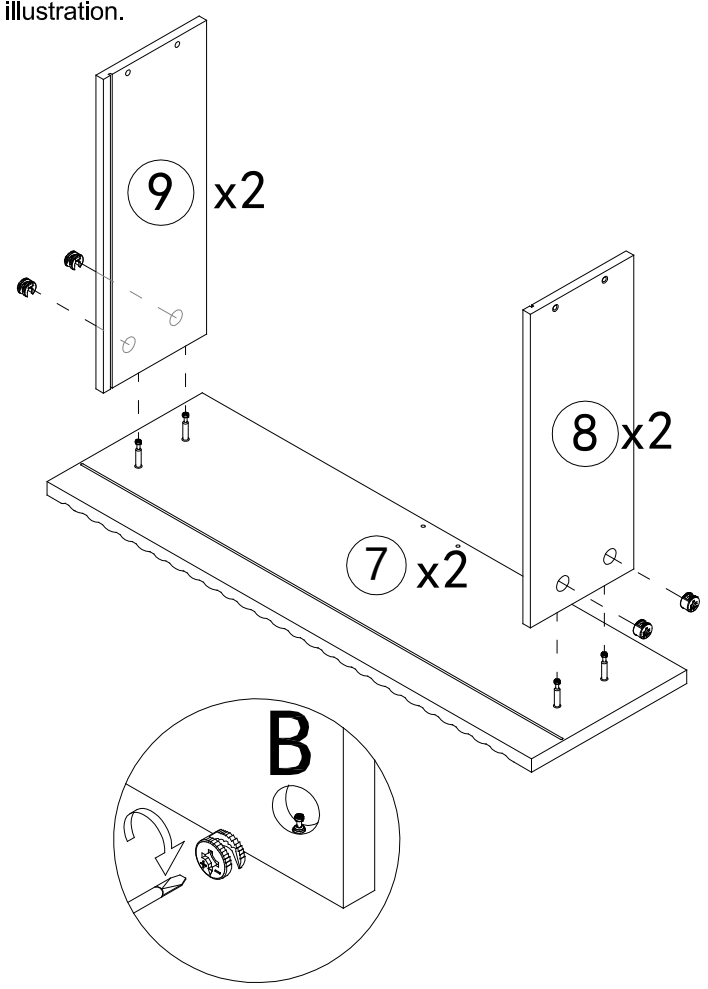


4 (pcs)

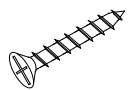


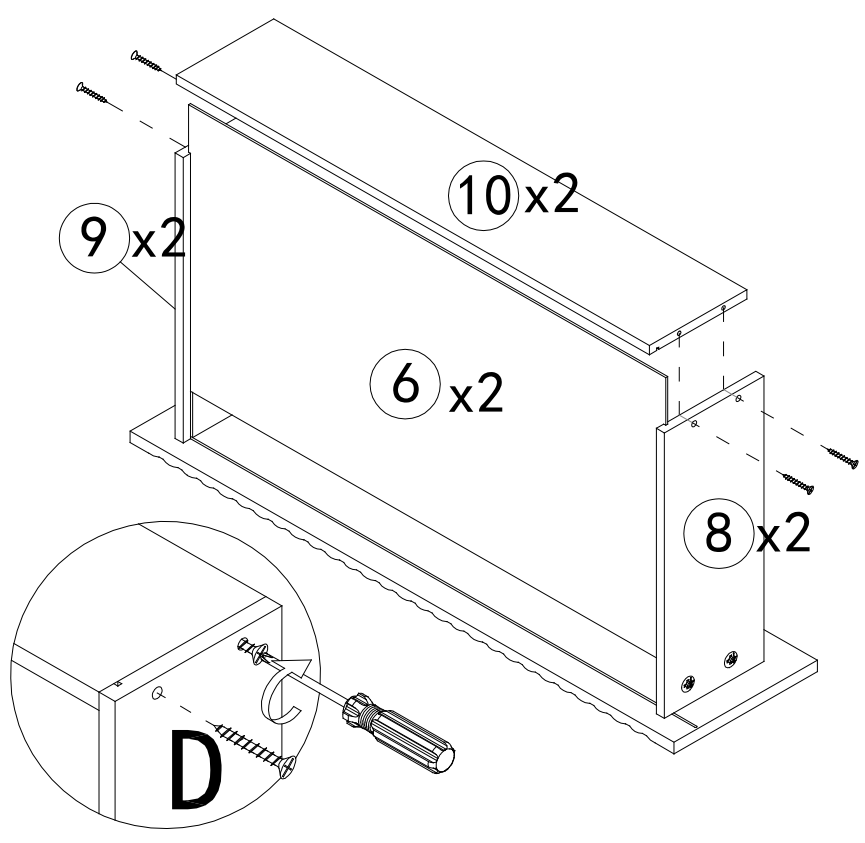
STEP7 : Following below illustration.

B

8 (pcs)

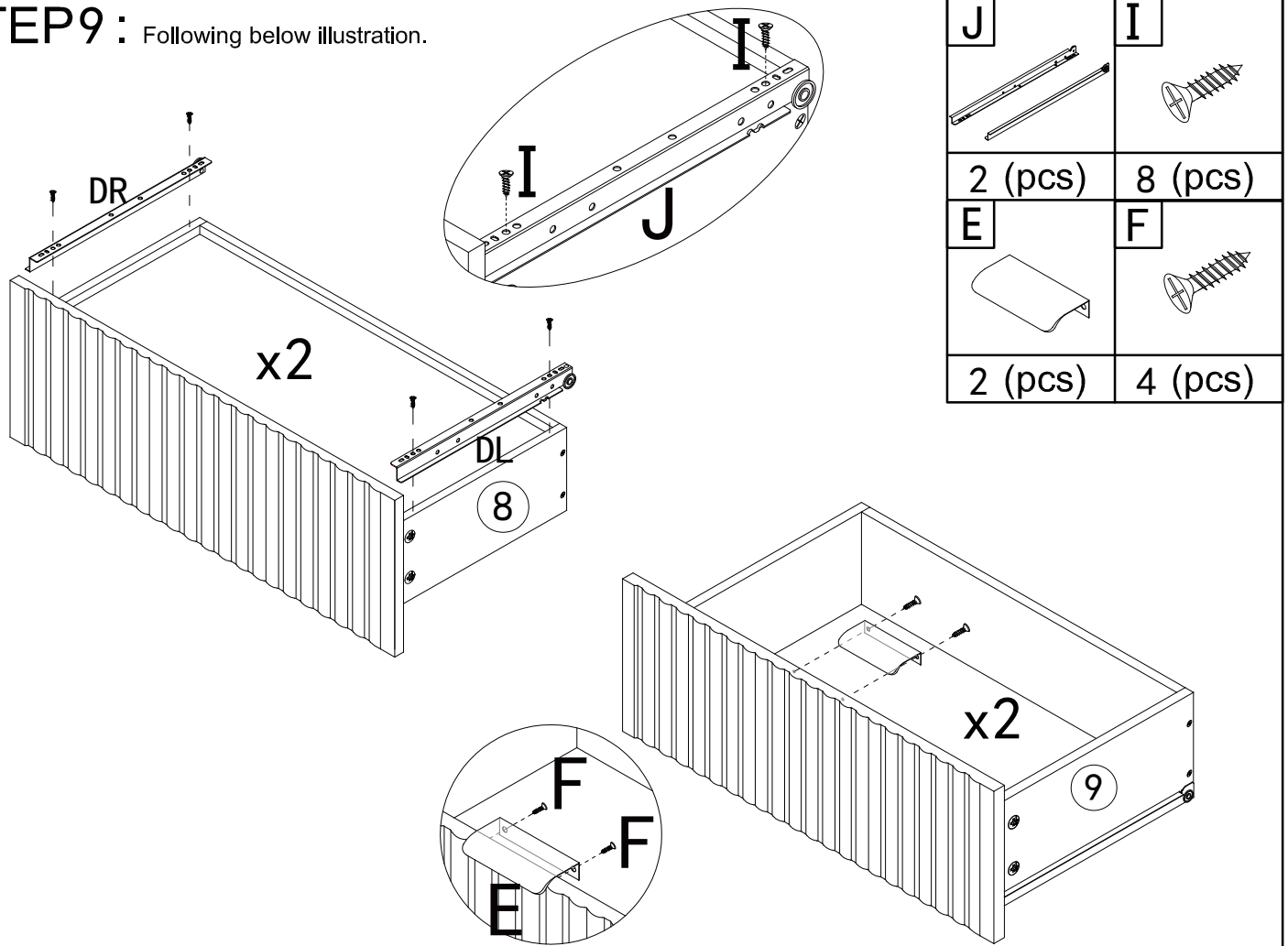


STEP8: Following below illustration.

D

8 (pcs)



STEP 9 : Following below illustration.



STEP 10 : Following below illustration.

