

Installation Manual

SG07/SG08/SG27/SG28

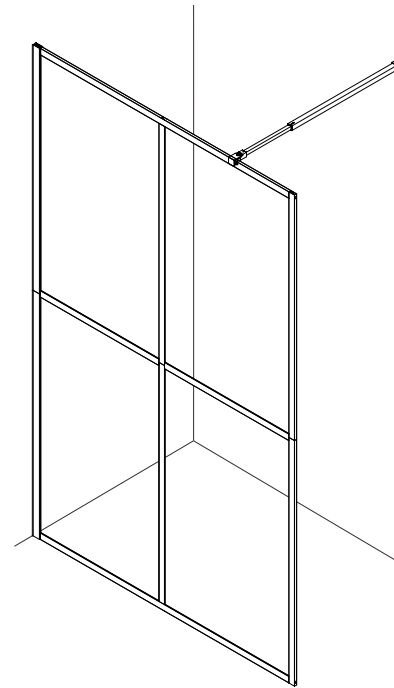
Aftersale service:

Please check out each piece carefully in case there is any damage and contact us if you need to replace any parts.

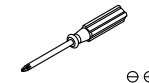
Please keep the original packaging materials in case you need to return this item, return request might be refused or restocking fees might be charged if the original packaging materials are missing.

Thank you very much and hope you love our product. If you find any trouble during installation and using, please contact us directly for help.

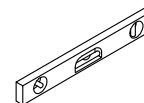
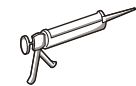
For any question, please contact: info@royoltd.com

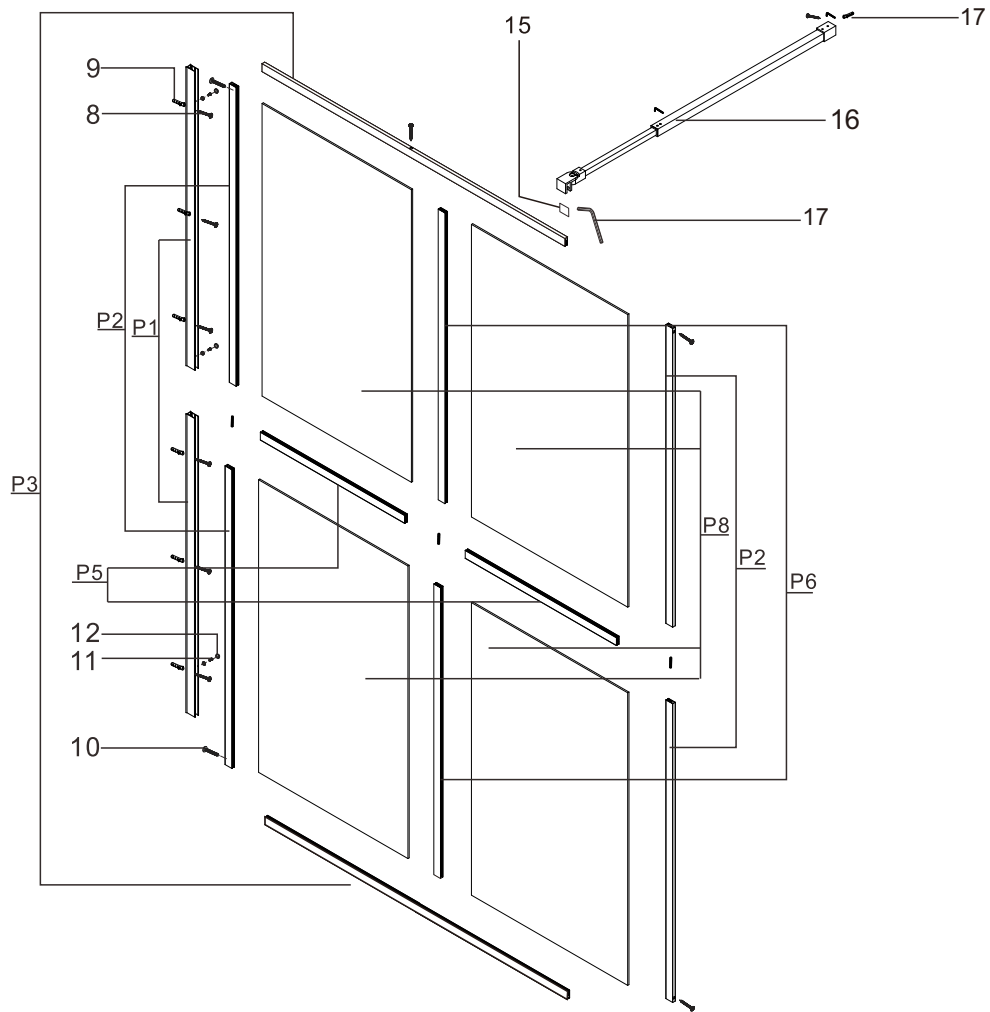


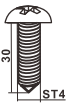

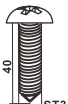




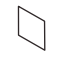
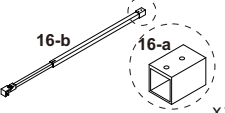


Pre-installation preparation



⊖ ⊕



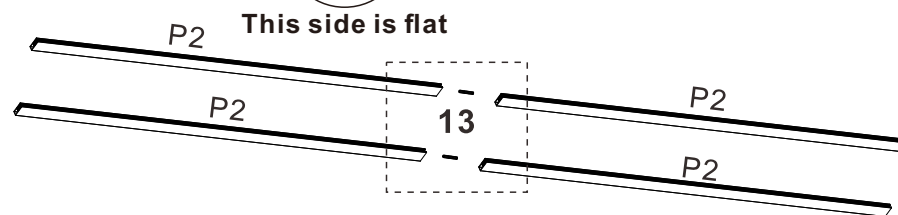
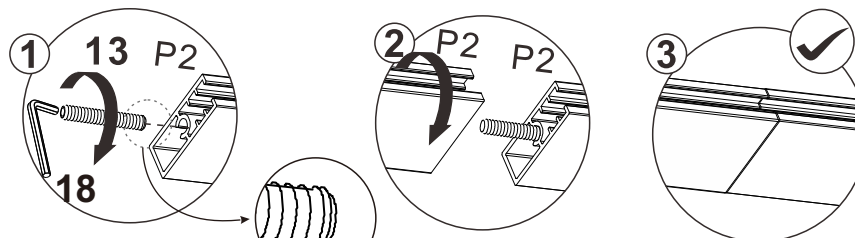


8  x6	9  x6	10  x6	11  x3	12  x3	13  x3	14  x2
15  x1	16  x1	17  x1	18  x1			

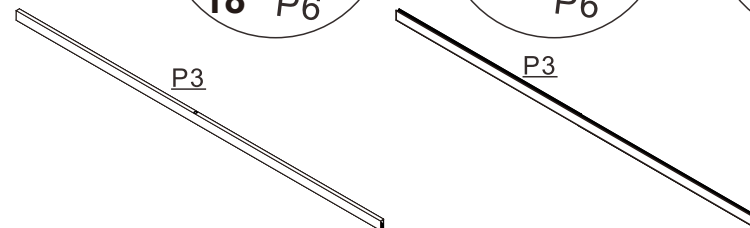
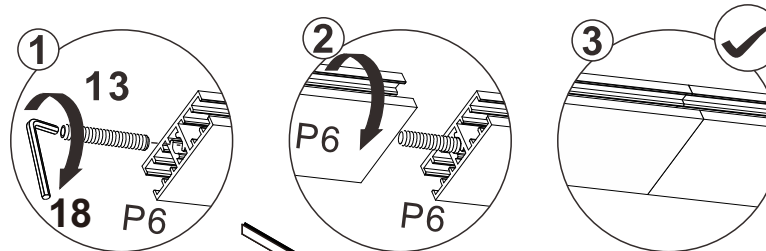
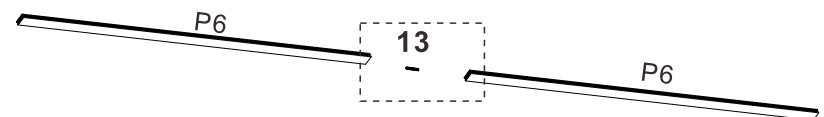
1



1



2

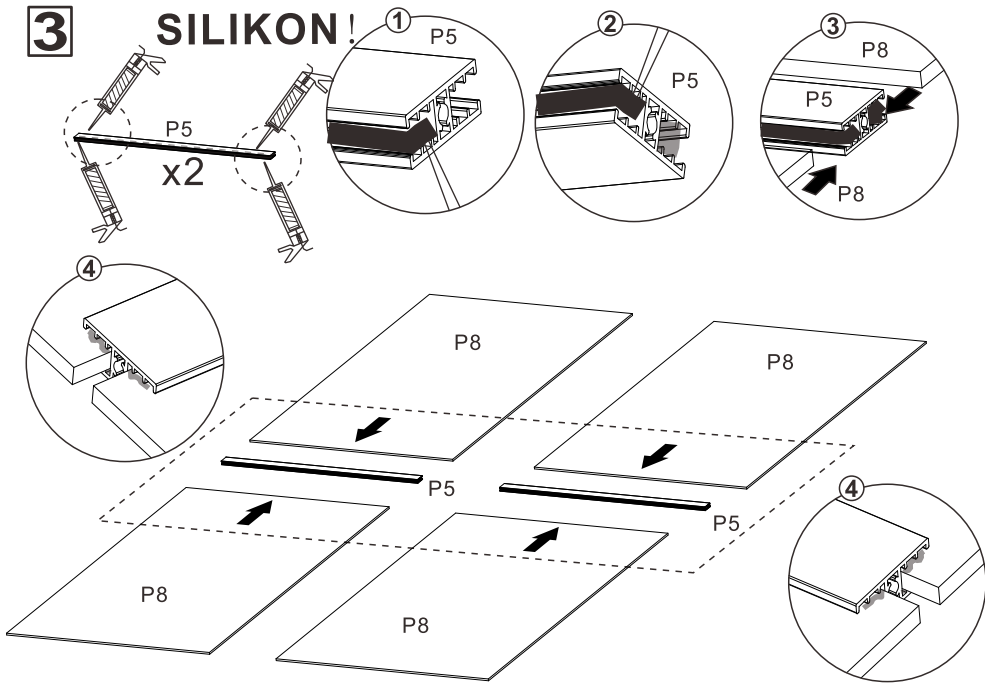


Do not over-tighten it, just rotate it until it fits tightly

2

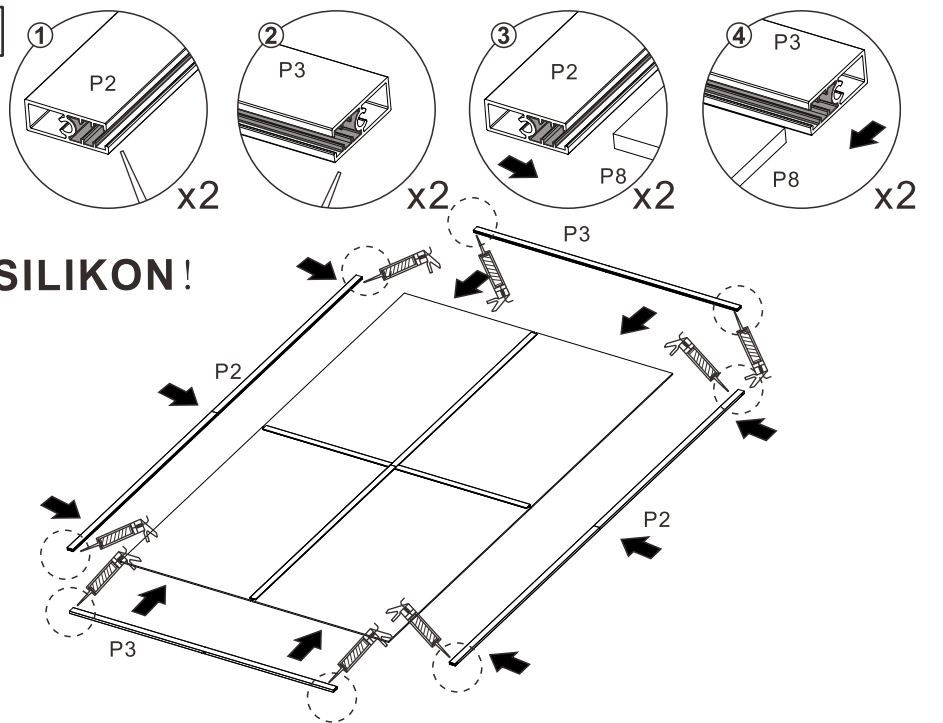
3

SILIKON!



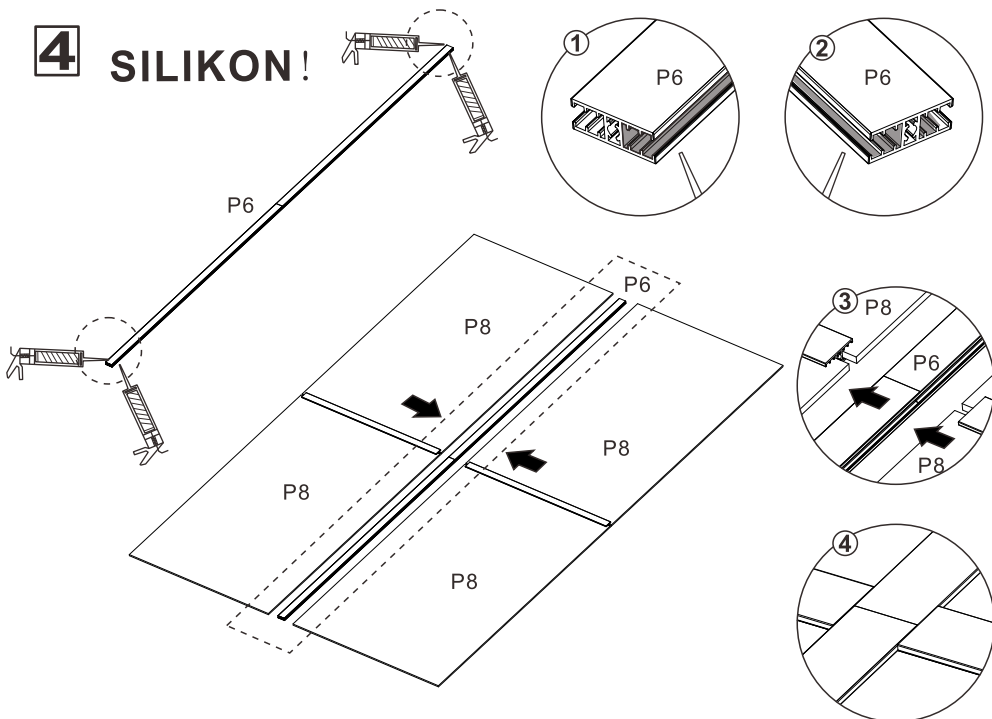
5

SILIKON!

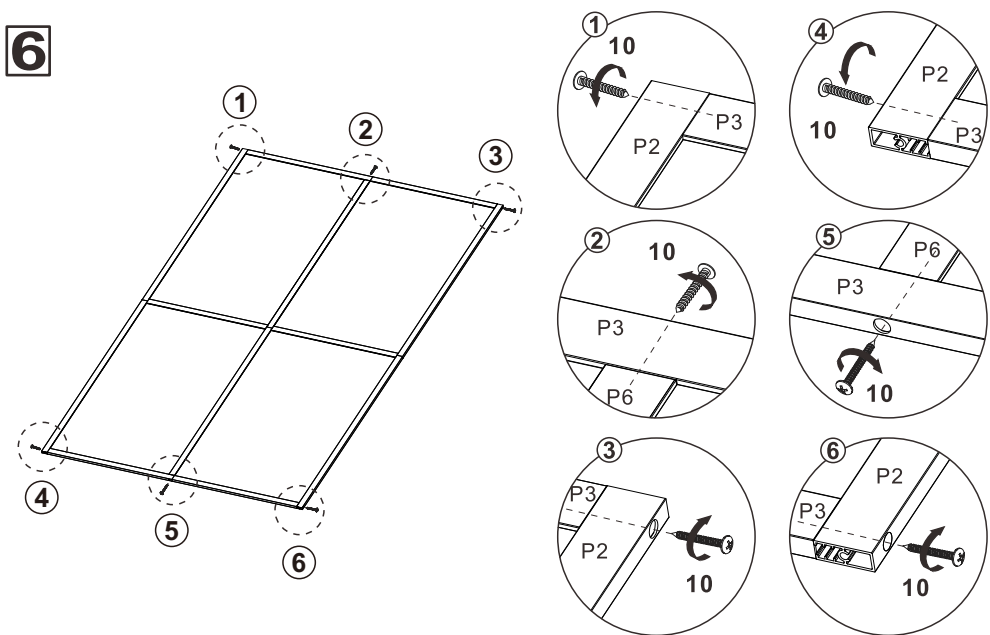


4

SILIKON!

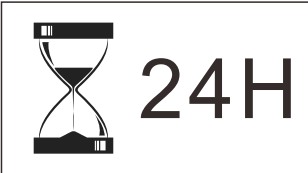


6

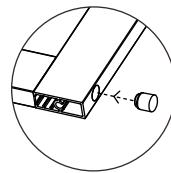
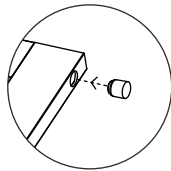
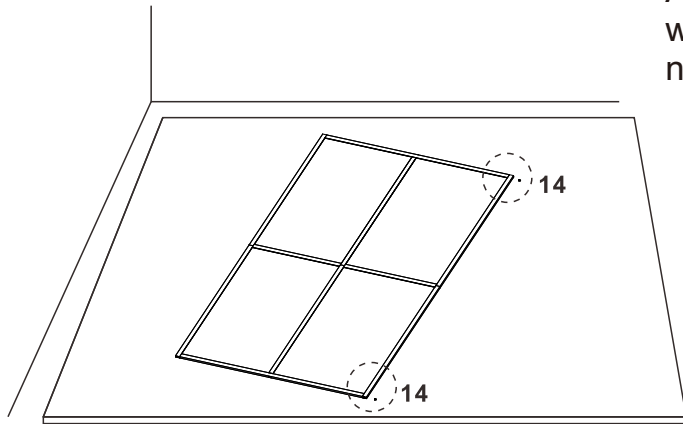


The holes must be aligned and the screws must be drilled to the bottom

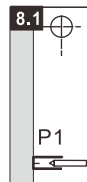
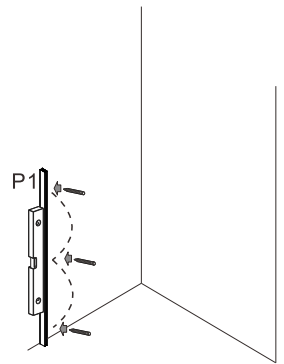
7



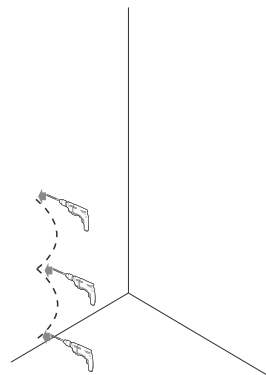
After assembly,
wait 24 hrs before
next step



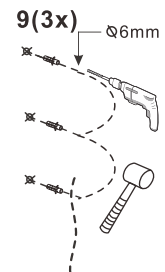
8



9

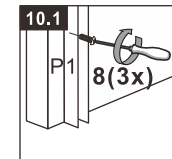
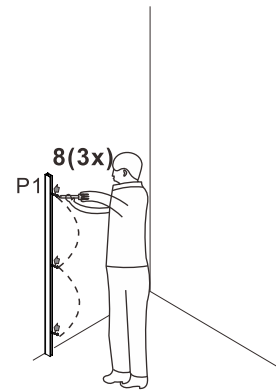


9.1

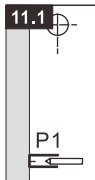
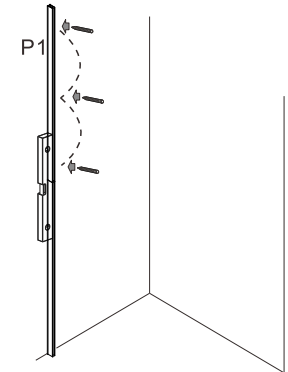


5

10



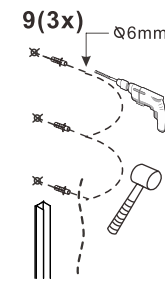
11



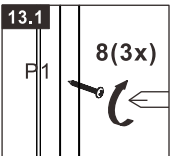
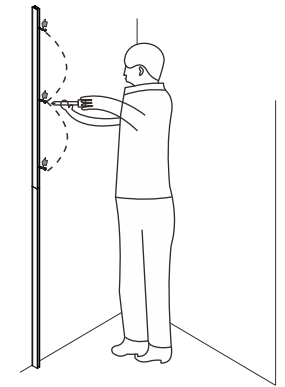
12



12.1

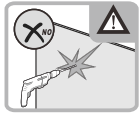


13

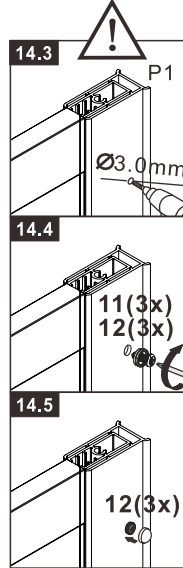
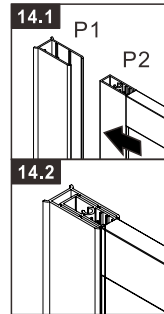
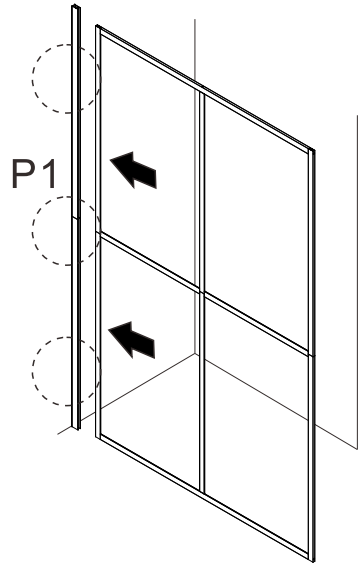


6

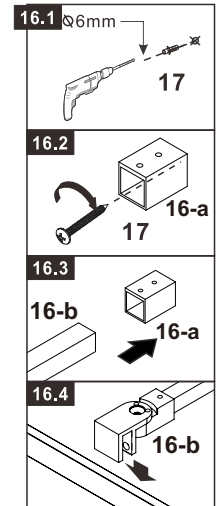
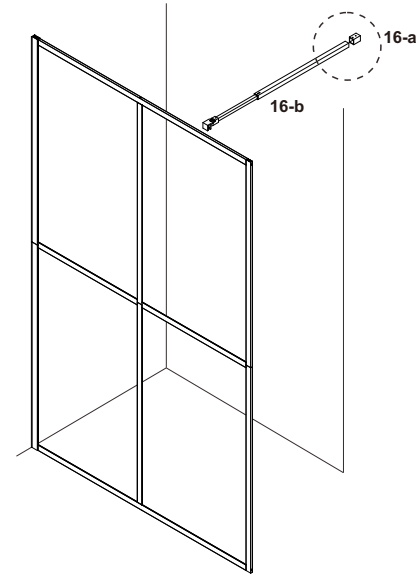
14



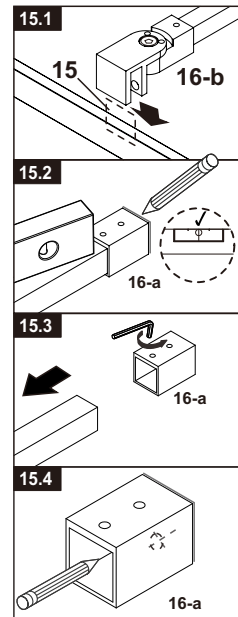
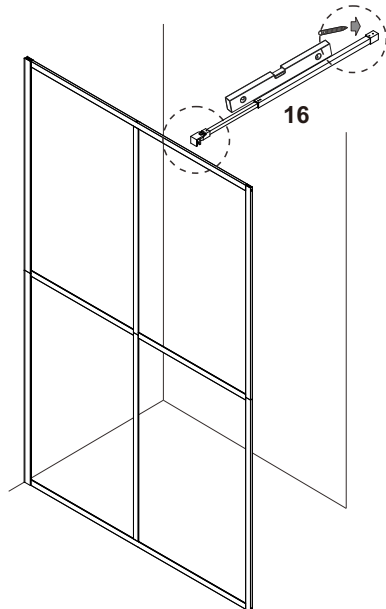
Be careful not to hit the glass when drilling



16



15



17

