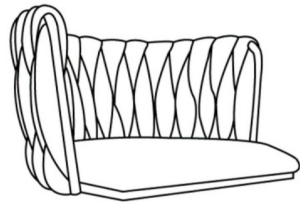


ASSEMBLY INSTRUCTION

A X 1

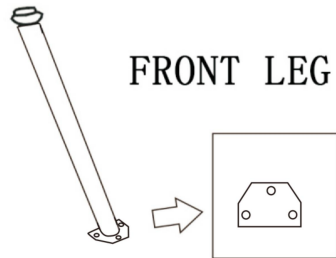


D X 1



B X 2

FRONT LEG



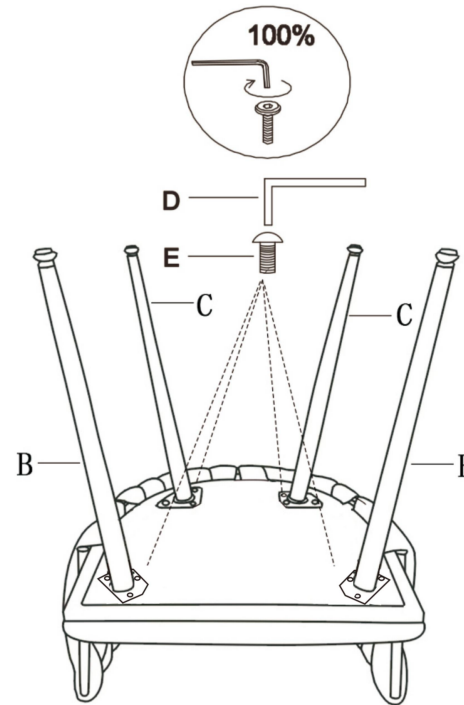
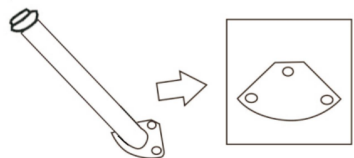
E x 12



M6x18

C X 2

BACK LEG



Please pay attention to the front leg and the back leg, if not installed correctly, the chair will not work well.

There are 4 small adjusters on the legs, use after adjusting the adjusters on the ground.



Tighten one and loosen the other, to adjust to level.