

# ASSEMBLY INSTRUCTIONS



*Fine Furniture for every stage of life*

**(B1-B3)**  
**Queen Bed**

# ASSEMBLY INSTRUCTIONS

## ASSEMBLY TIPS:

1. Remove hardware from box and sort by size.
2. Please check to see that all hardware and parts are present prior to start of assembly.
3. Please follow attached instructions in the same sequence as numbered to assure fast & easy assembly.



### WARNING

1. Don't attempt to repair or modify parts that are broken or defective. Please contact the store immediately.
2. This product is for home use only and not intended for commercial establishments.



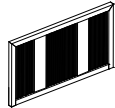
ASSEMBLY TIME

20 MINUTES

## PARTS IDENTIFICATION

### B1 (BOX 1)

A HEADBOARD PANEL



1PC

B LEFT HEADBOARD LEG



1PC

C RIGHT HEADBOARD LEG



1PC

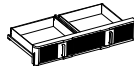
D HEADBOARD BOTTOM RAIL



1PC

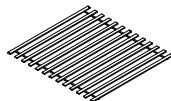
### B2 (BOX 2)

E STORAGE FOOTBOARD



1PC

F ROLL SLAT (13PCS)



1SET

G CENTER RAIL SUPPORT WITH LEVELER



3PCS

H CONCEAL PANEL



4PCS

### B3 (BOX 3)

I BED RAIL



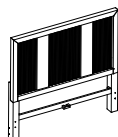
2PCS

J CENTER RAIL



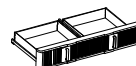
1PC

HB HEADBOARD COMPLETE



1PC

E FOOTBOARD



1PC

# ASSEMBLY INSTRUCTIONS

## ASSEMBLY TIPS:

- 1.Remove hardware from box and sort by size.
- 2.Please check to see that all hardware and parts are present prior to start of assembly.
- 3.Please follow attached instructions in the same sequence as numbered to assure fast & easy assembly.

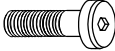





## WARNING

- 1.Don't attempt to repair or modify parts that are broken or defective. Please contact the store immediately.
- 2.This product is for home use only and not intended for commercial establishments.

## HARDWARE IDENTIFICATION

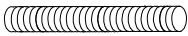
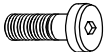




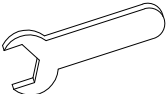

### (BOX 1) - HARDWARE PACK IS LOCATED IN (B1)

1	<b>BOLT</b> (5/16" x 38mm - RBW)		12PCS	3	<b>FLAT WASHER</b> (5/16" x 19 x 1.5mm - RBW)		12PCS
2	<b>LOCK WASHER</b> (5/16" - RBW)		12PCS	4	<b>ALLEN WRENCH</b> (74 x 30 x 4mm - RBW)		1PC

### (BOX 2) - HARDWARE PACK IS LOCATED IN (B2)

5	<b>FLAT HEAD SCREW</b> (4 x 32mm - RBW)		6PCS
---	--------------------------------------------	-------------------------------------------------------------------------------------	------

### (BOX 3) - HARDWARE PACK IS LOCATED IN (B3)

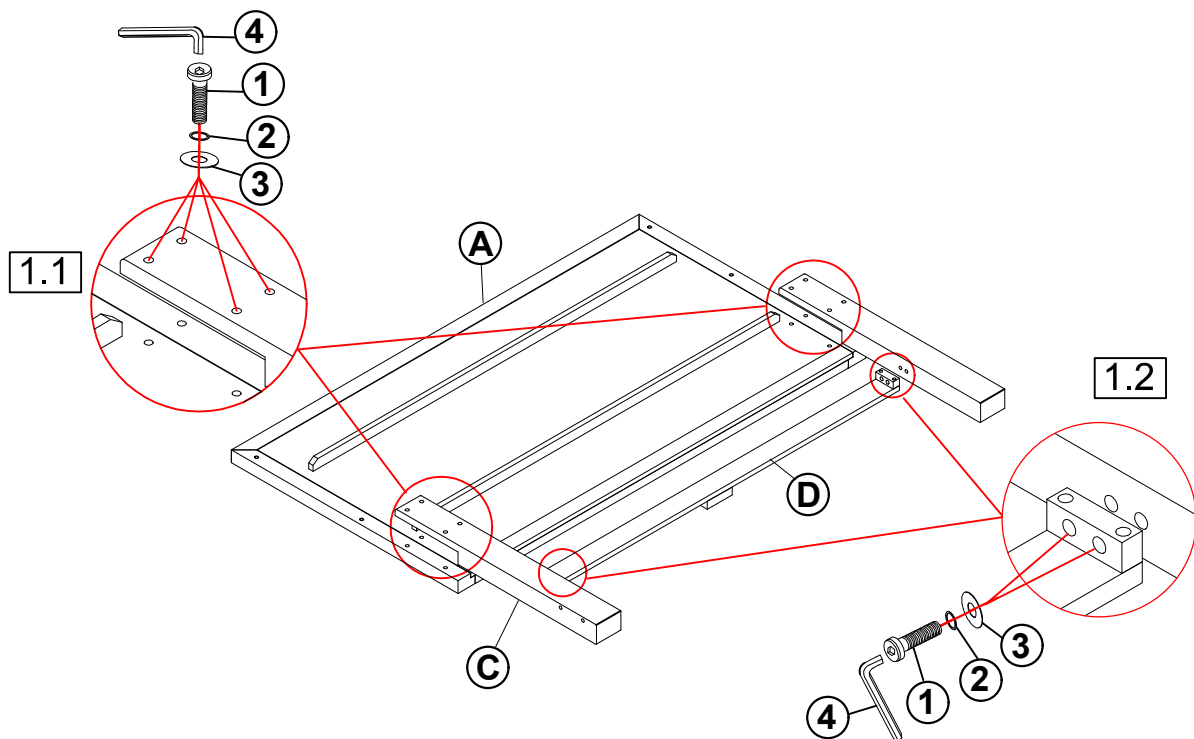
6	<b>THREADED BOLT</b> (5/16" x 75mm - RBW)		8PCS	10	<b>BOLT</b> (1/4 x 25mm - RBW)		2PCS
7	<b>U-SQUARE WASHER</b> (25 x 15 x 2mm - RBW)		8PCS	11	<b>LOCK WASHER</b> (1/4" - RBW)		2PCS
8	<b>HEX NUT</b> (5/16" x 17mm - RBW)		8PCS	12	<b>FLAT WASHER</b> (1/4" x 19 x 1.5mm - RBW)		2PCS
9	<b>WRENCH</b> (13MM - RBW)		1PC	13	<b>ALLEN WRENCH</b> (74 x 30 x 4mm - RBW)		1PC

## NOTE:

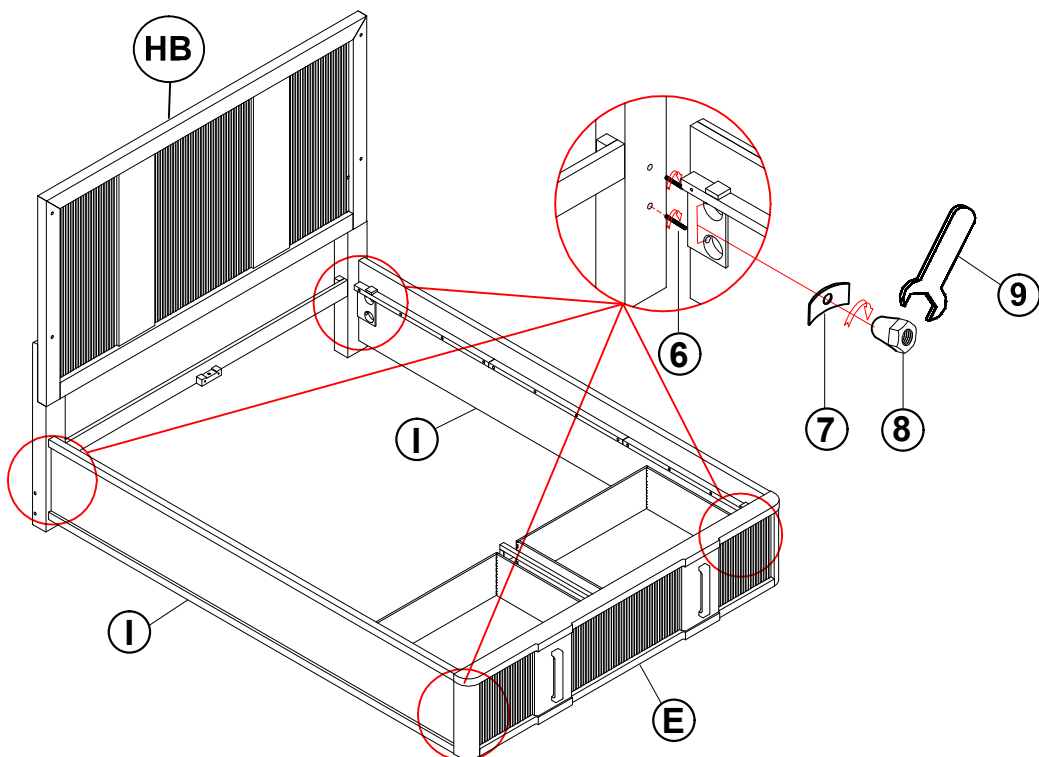
Phillips head screw driver is required in the assembly process; however, manufacturer does not provide this item.

# ASSEMBLY INSTRUCTIONS

## STEP 1

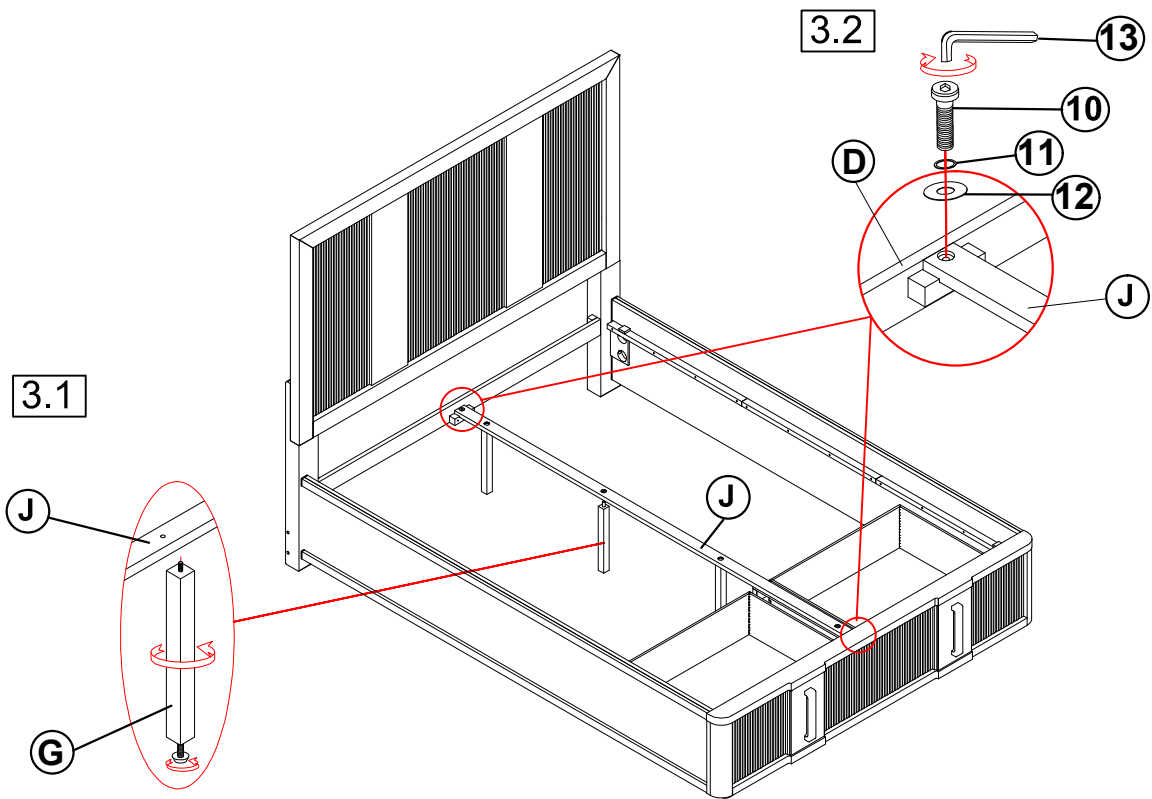


## STEP 2

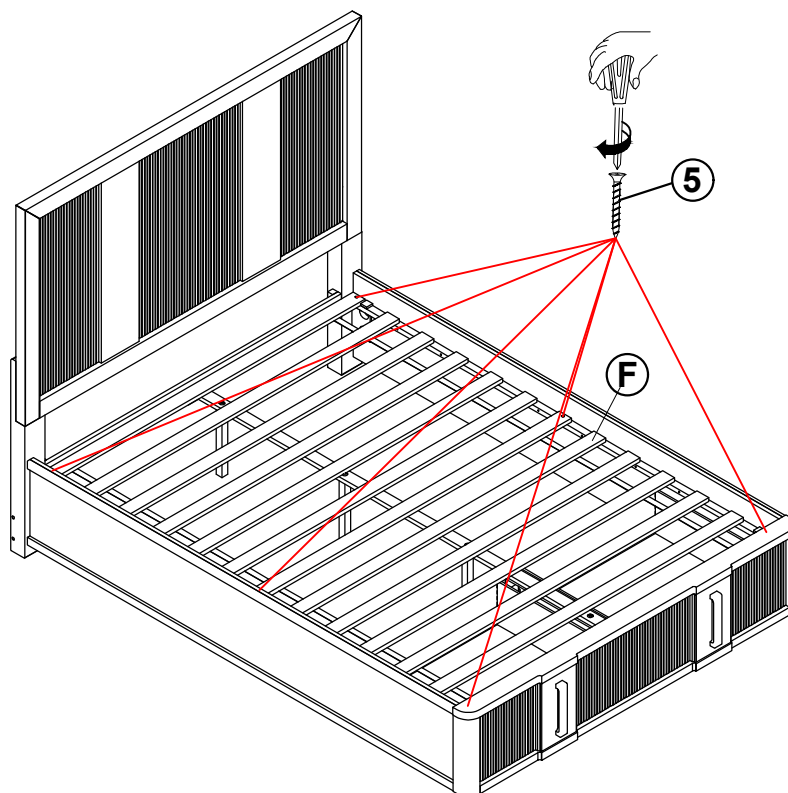


# ASSEMBLY INSTRUCTIONS

## STEP 3

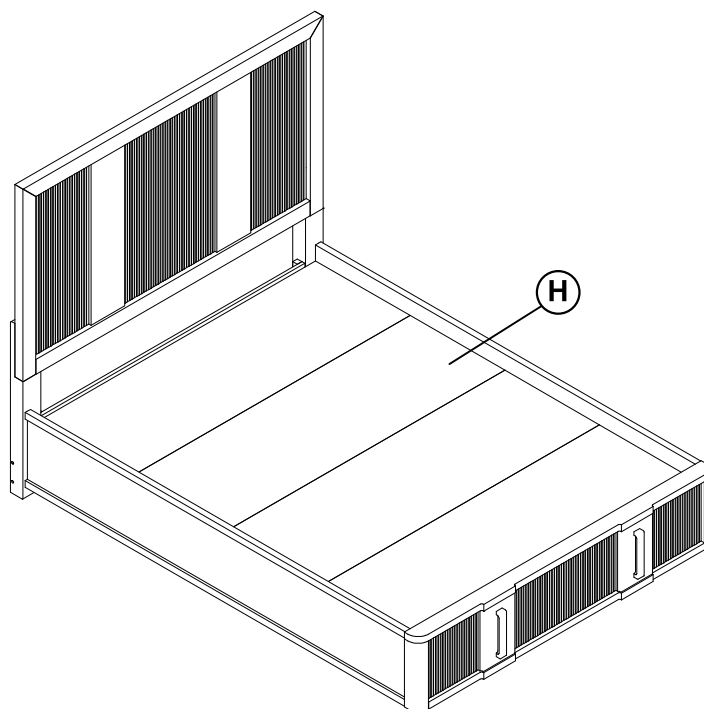


## STEP 4

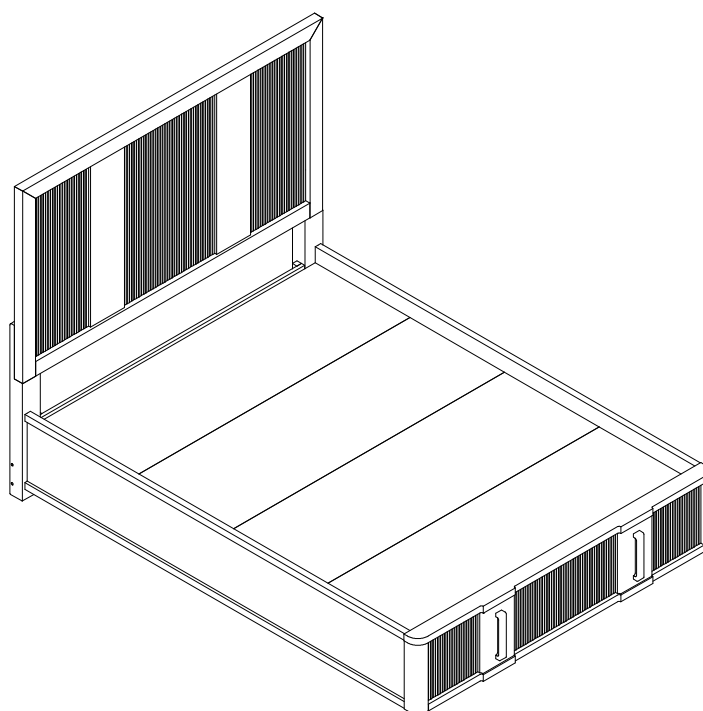


# ASSEMBLY INSTRUCTIONS

## STEP 5

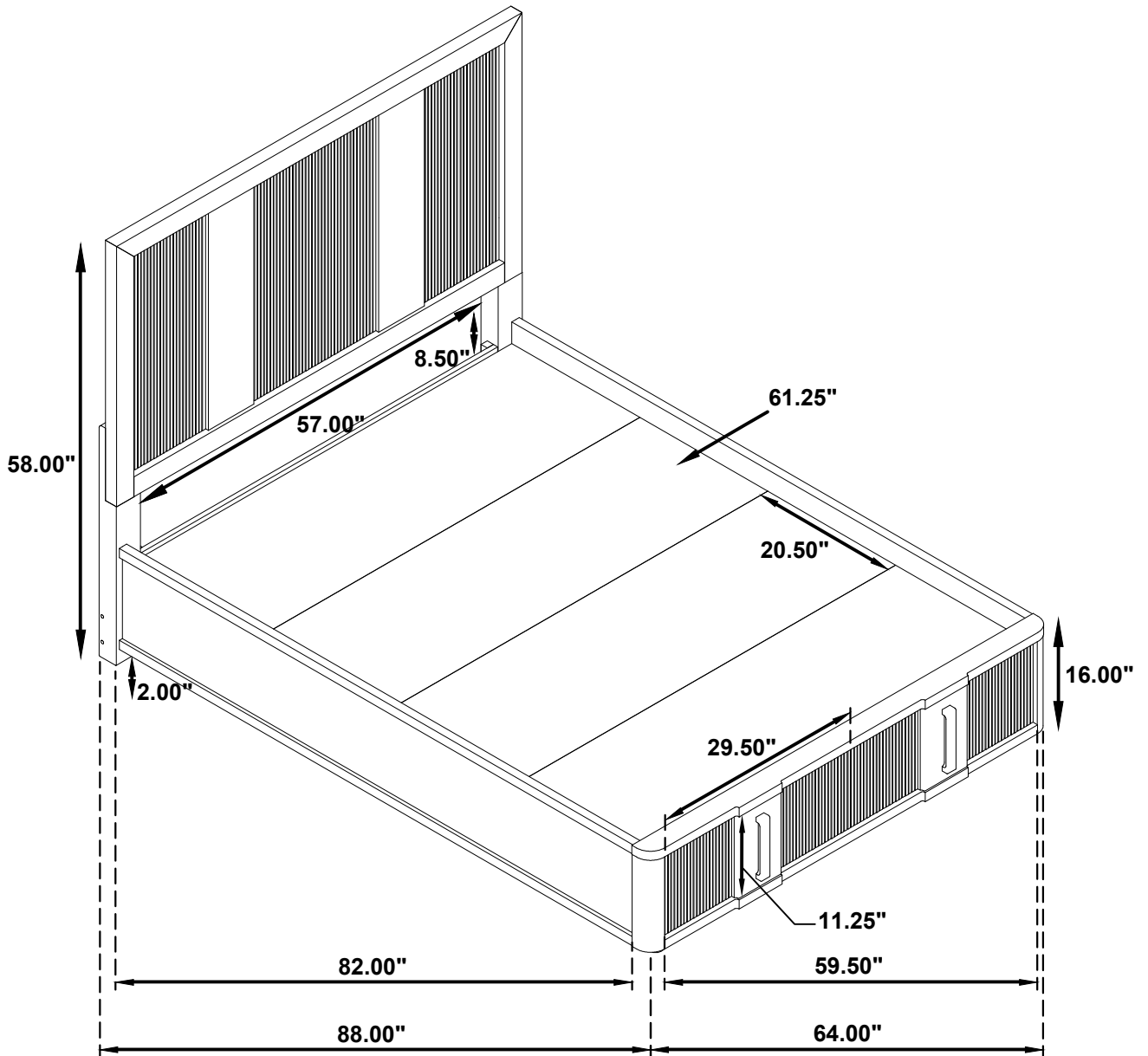


## STEP 6 COMPLETE



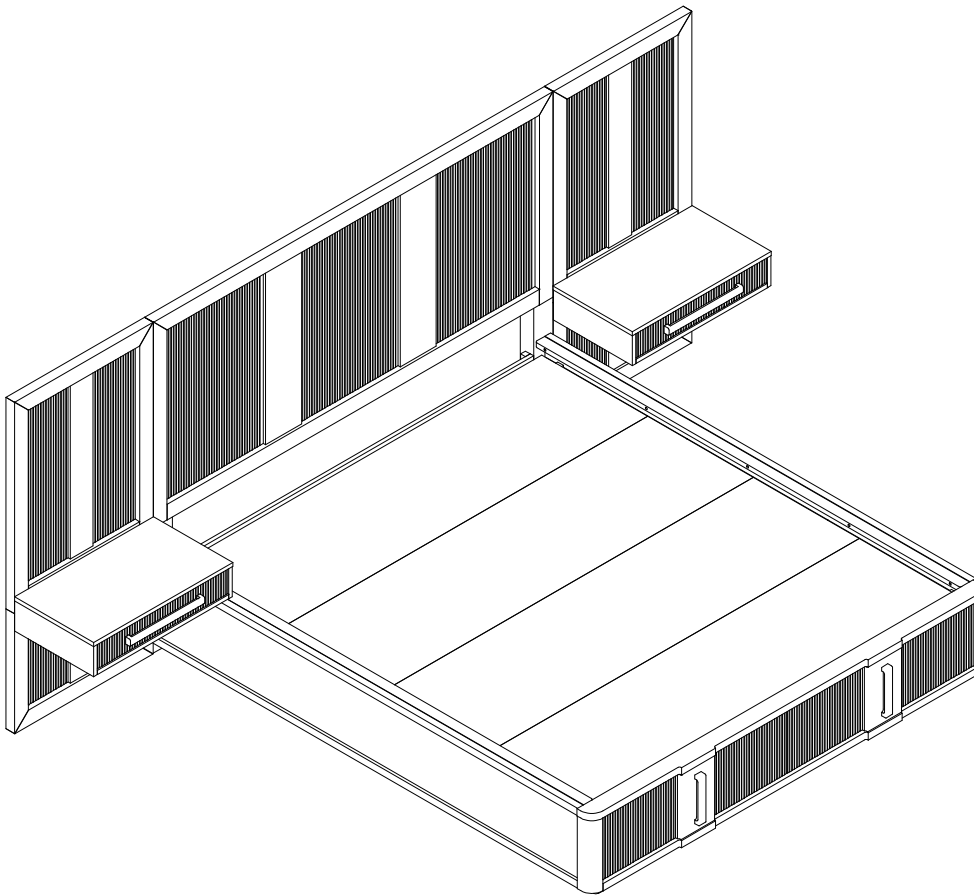
**Inner Size : 61.25"W x 82.00"D**

**Inner Size of Drawer : 25.75"W x 22.75"D x 7.25"H x 0.25T**



**Note : Dimension tolerance  $\pm 5\%$**

# ASSEMBLY INSTRUCTIONS



*Fine Furniture for every stage of life*

***Left & Right Wall Bed Panel With Nightand***

# ASSEMBLY INSTRUCTIONS

## ASSEMBLY TIPS:

1. Remove hardware from box and sort by size.
2. Please check to see that all hardware and parts are present prior to start of assembly.
3. Please follow attached instructions in the same sequence as numbered to assure fast & easy assembly.



## WARNING

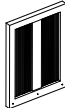
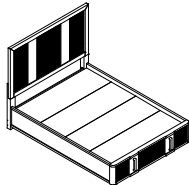

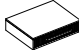
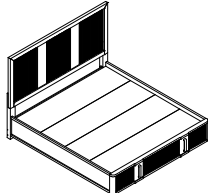

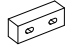
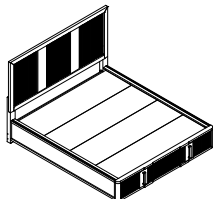
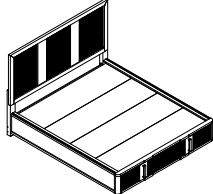
1. Don't attempt to repair or modify parts that are broken or defective. Please contact the store immediately.
- 2 This product is for home use only and not intended for commercial establishments.




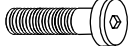





ASSEMBLY TIME

20 MINUTES

## PARTS IDENTIFICATION

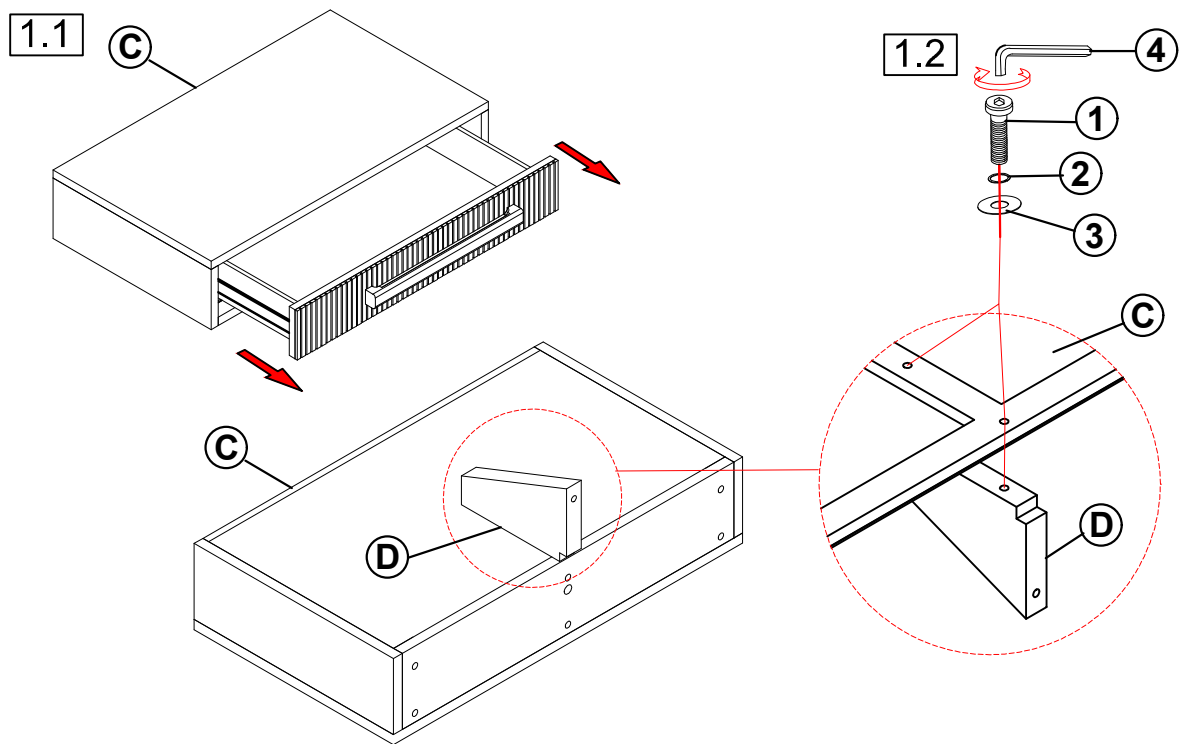
<b>A</b>	<b>TOP PANEL</b>		<b>2PCS</b>	<b>BD BED</b>		<b>1SET</b>
<b>B</b>	<b>BOTTOM PANEL</b>		<b>2PCS</b>			
<b>C</b>	<b>DRAWER</b>		<b>2PCS</b>			<b>1SET</b>
<b>D</b>	<b>DRAWER SUPPORT</b>		<b>2PCS</b>			
<b>E</b>	<b>TOP PANEL SUPPORT</b>		<b>4PCS</b>			
<b>F</b>	<b>BOTTOM PANEL SUPPORT</b>		<b>2PCS</b>			<b>1SET</b>

## HARDWARE IDENTIFICATION

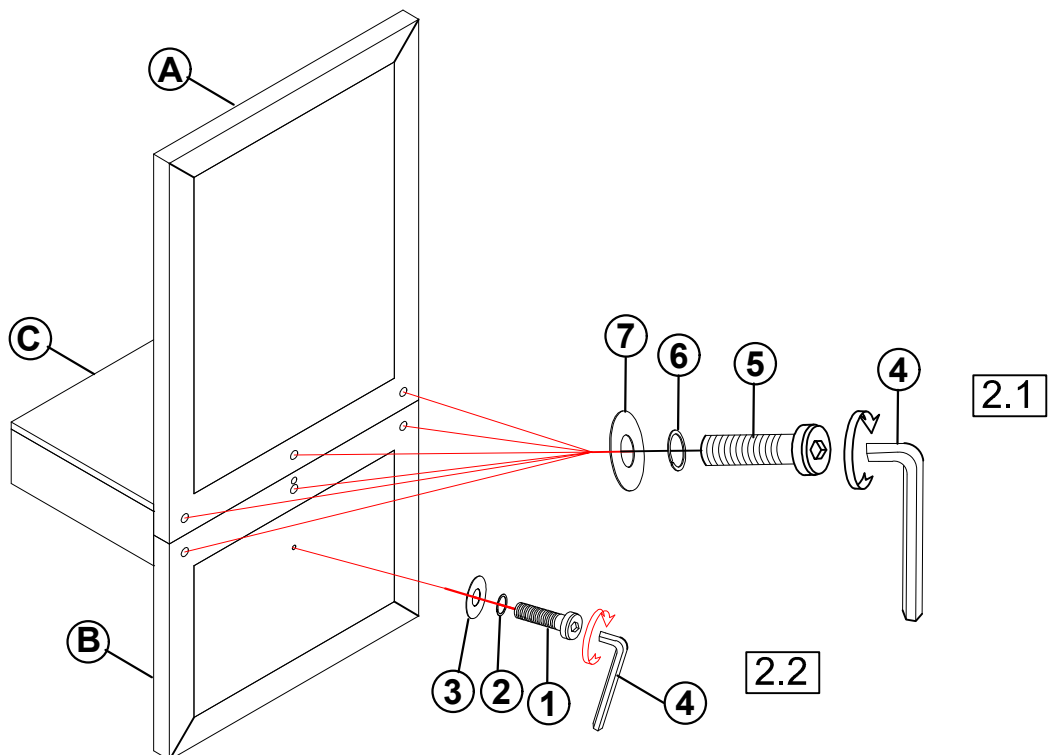
<b>1</b>	<b>SHORT BOLT</b> (1/4" x 45mm - RBW)		<b>6PCS</b>	<b>5</b>	<b>LONG BOLT</b> (5/16" x 50mm - RBW)		<b>28PCS</b>
<b>2</b>	<b>SMALL LOCK WASHER</b> (1/4" - RBW)		<b>6PCS</b>	<b>6</b>	<b>BIG LOCK WASHER</b> (5/16" - RBW)		<b>28PCS</b>
<b>3</b>	<b>SMALL FLAT WASHER</b> (1/4" x 19 x 1.5mm - RBW)		<b>6PCS</b>	<b>7</b>	<b>BIG FLAT WASHER</b> (5/16" x 19 x 1.5mm - RBW)		<b>28PCS</b>
<b>4</b>	<b>ALLEN WRENCH</b> (74 x 30 x 4mm - RBW)		<b>1PC</b>				

# ASSEMBLY INSTRUCTIONS

## STEP 1

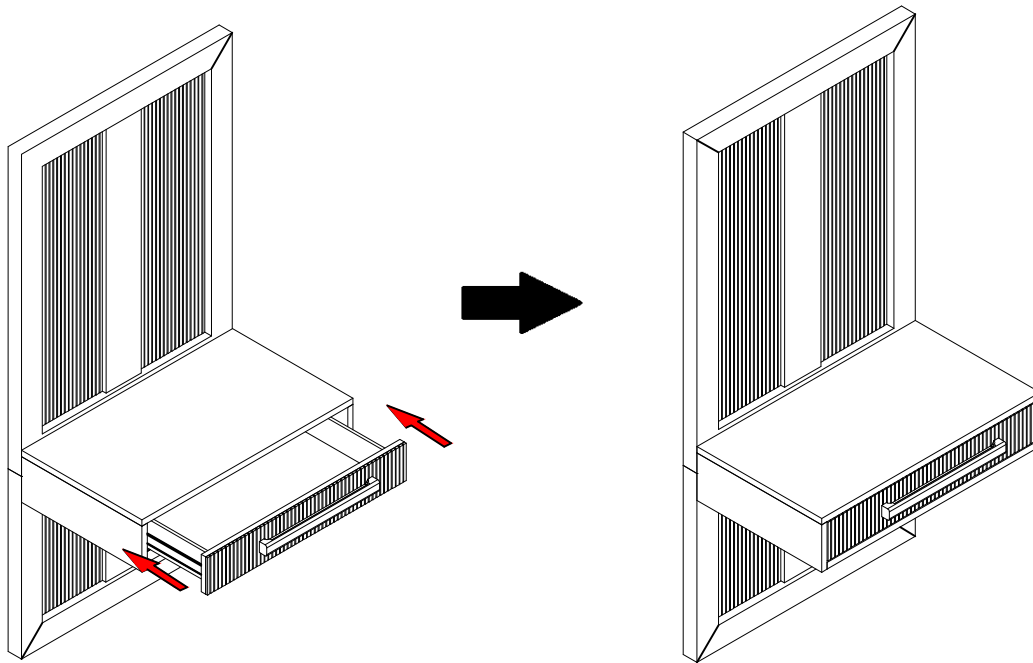


## STEP 2

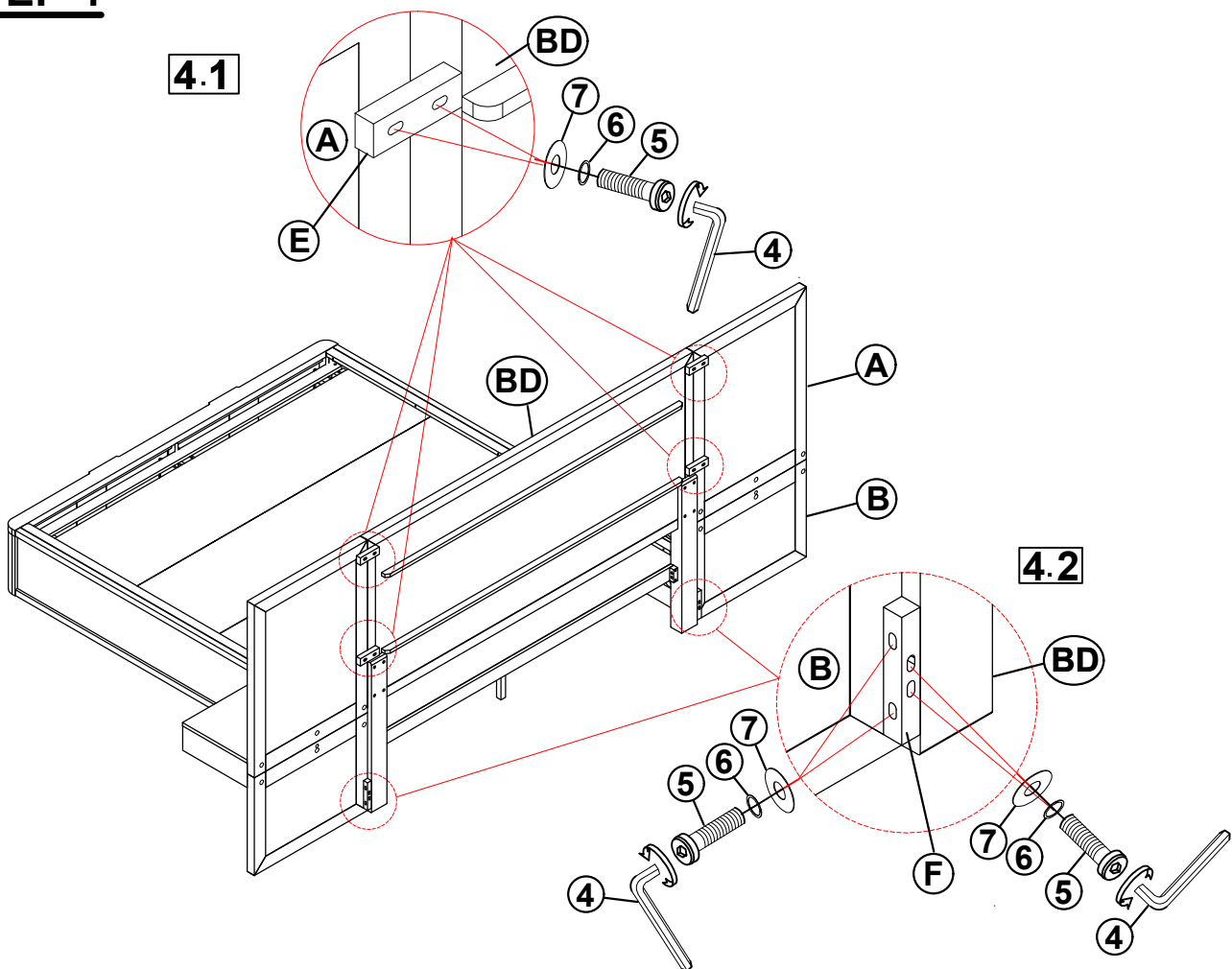


# ASSEMBLY INSTRUCTIONS

## STEP 3



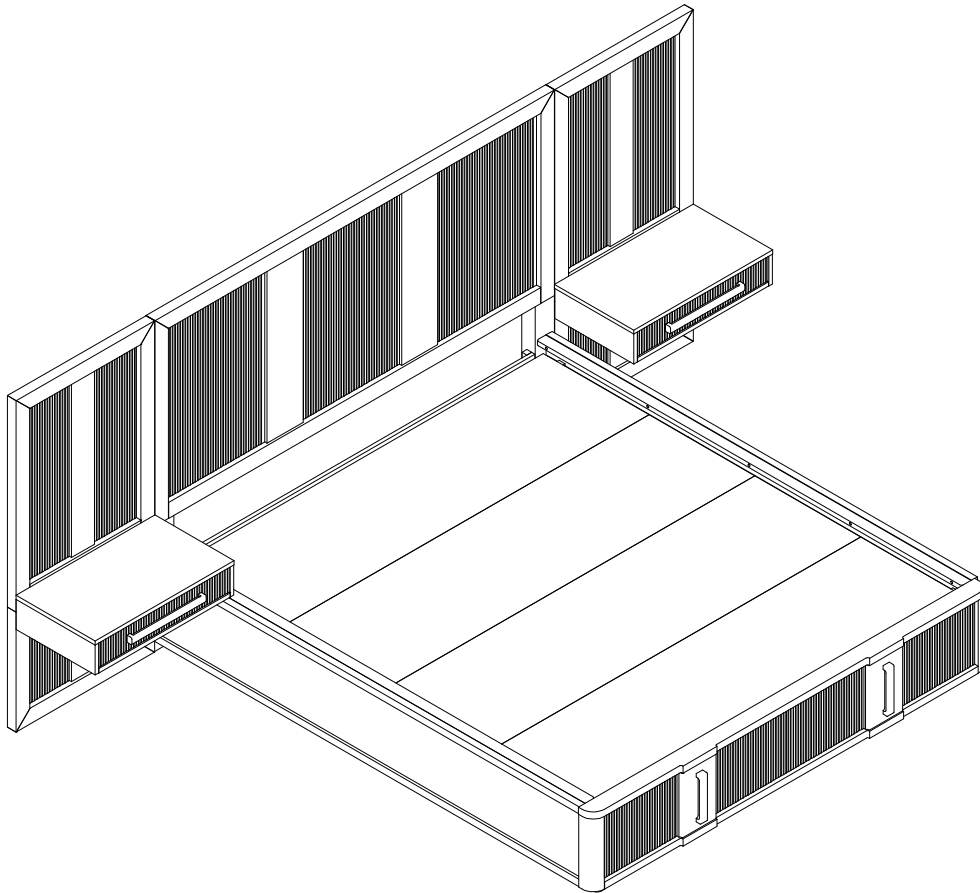
## STEP 4



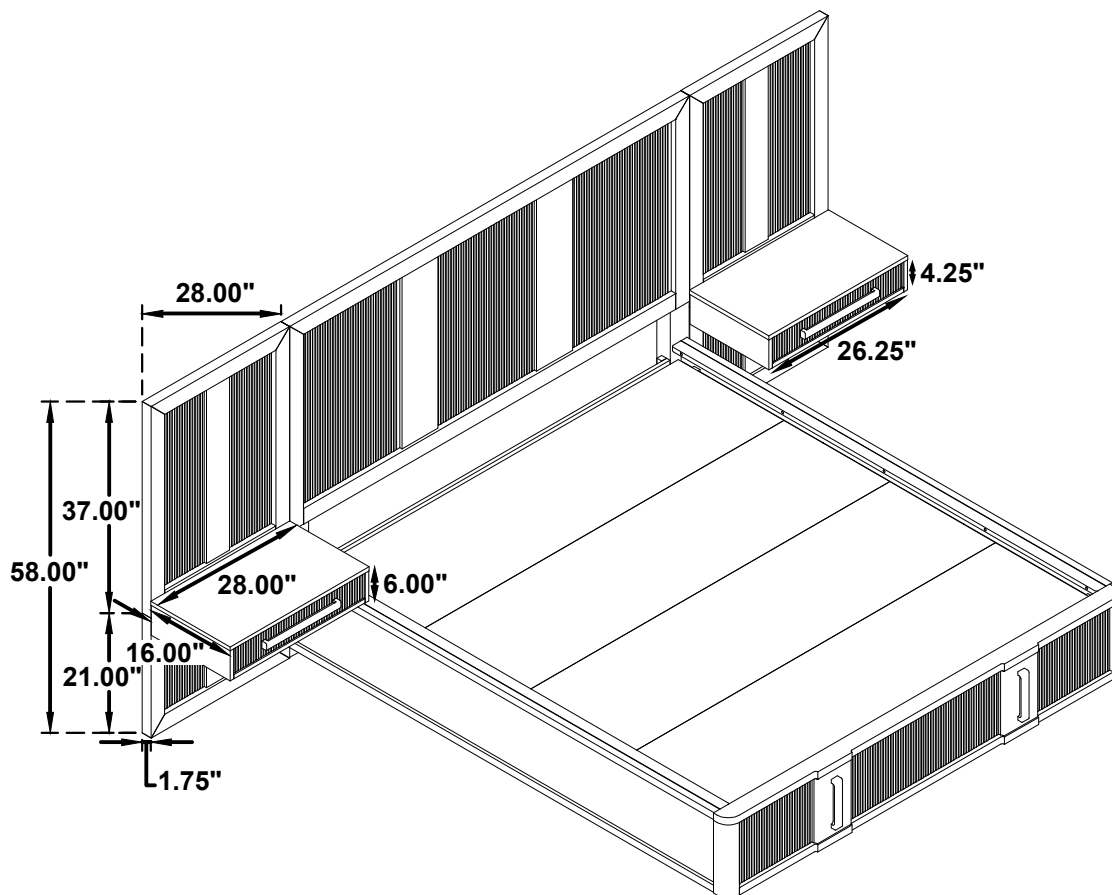
# ASSEMBLY INSTRUCTIONS

## STEP 5

COMPLETE



**Inner Size of Drawer : 23.25"W x 12.75"D x 2.75"H x 0.25T**



**Note : Dimension tolerance  $\pm 5\%$**

# ASSEMBLY INSTRUCTIONS



*Fine Furniture for every stage of life*

**Dresser**

# ASSEMBLY INSTRUCTIONS

## ASSEMBLY TIPS:

- 1.Remove hardware from box and sort by size.
- 2.Please check to see that all hardware and parts are present prior to start of assembly.
- 3.Please follow attached instructions in the same sequence as numbered to assure fast & easy assembly.



## WARNING

- 1.Don't attempt to repair or modify parts that are broken or defective. Please contact the store immediately.
- 2 This product is for home use only and not intended for commercial establishments.

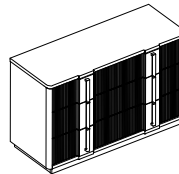


ASSEMBLY TIME

5 MINUTES

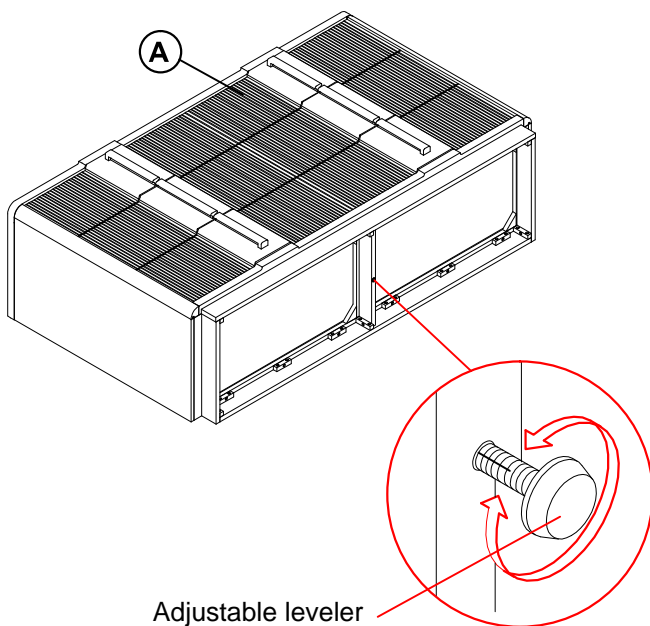
## PARTS IDENTIFICATION

A DRESSER



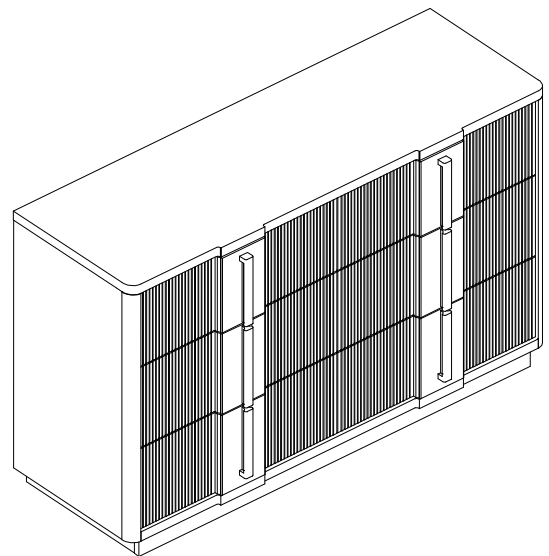
1PC

## STEP 1



Adjustable leveler

## STEP 2 COMPLETE



# ANTI-TIPPING INSTALLATION INSTRUCTIONS

## FURNITURE TIPPING RESTRAINT

### WARNING

Injury may result from tipping furniture.

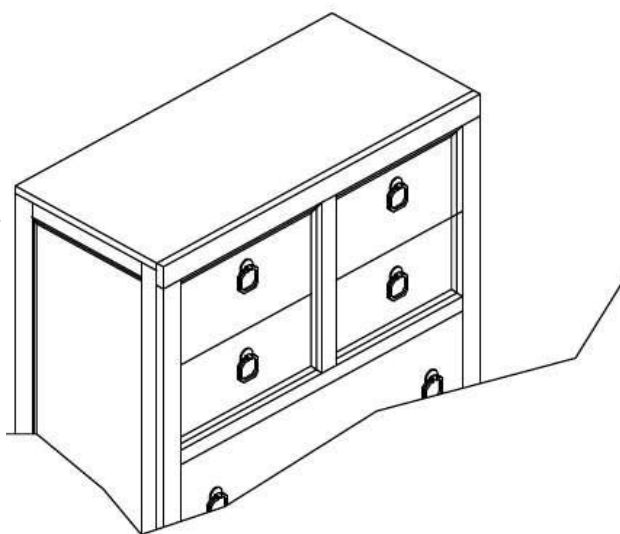
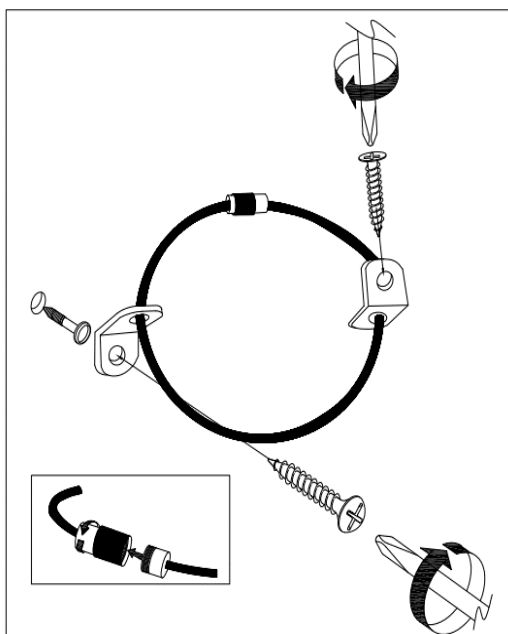
This restraint may protect against tipping furniture.

Do not allow children to climb on furniture.

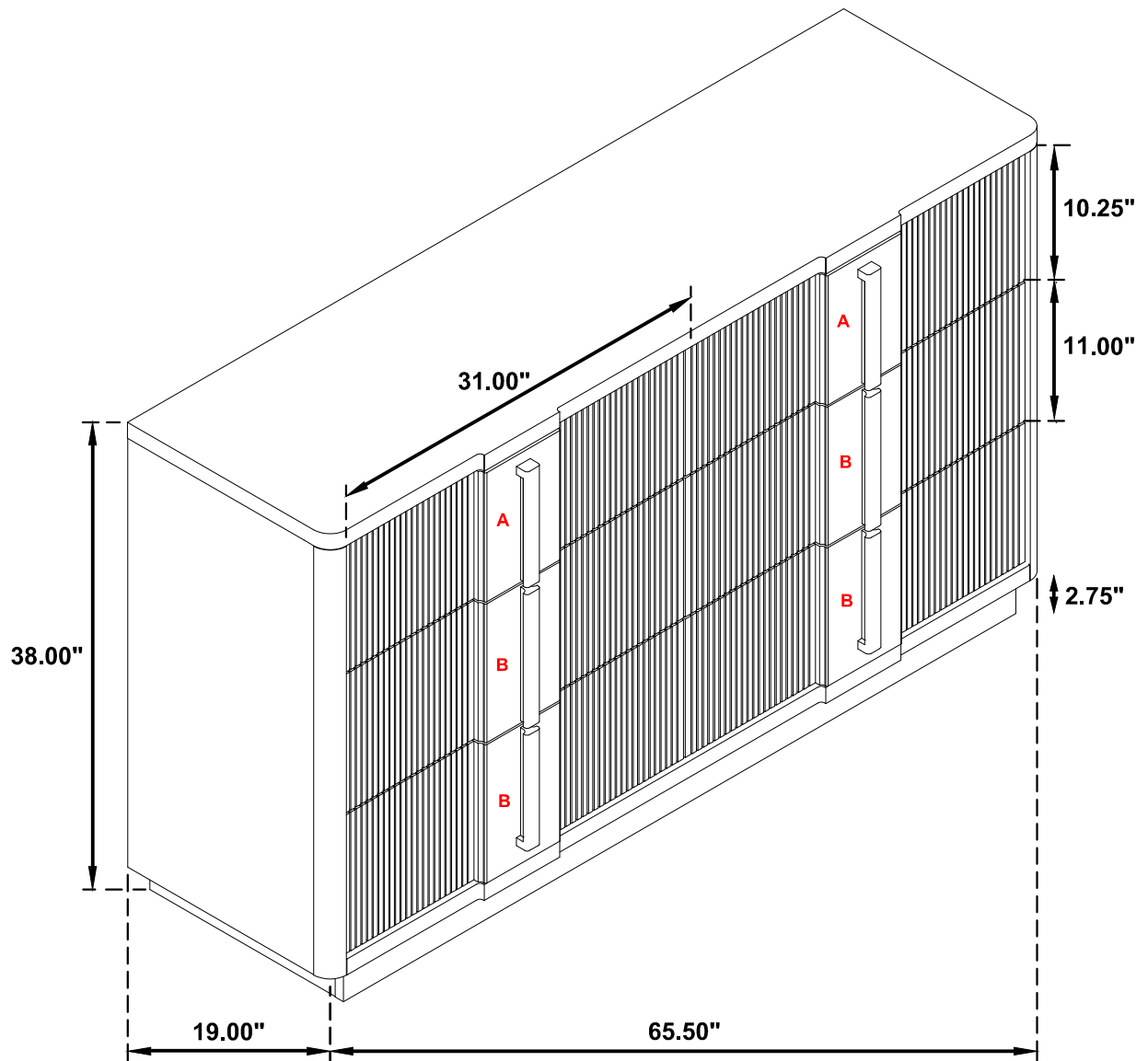
This restraint is not a substitute for proper adult supervision.

Failure to detach this restraint before moving the furniture may result in injury and damage.

1. Attach one of the mounting brackets securely to the back edge of the unit, using the short screw.
2. Determine where the unit is to be placed, and mark the location on the wall for the other mounting bracket. The bracket on the wall needs to be approximately 2" below the bracket mounted to the edge of the unit.
3. Drill a hole in the wall. Insert the plastic wall anchor into the hole and if necessary, use a small block of wood and hammer to tap it in so that it's flush with the wall.
4. Attach the bracket over the plastic wall anchor using the long screw.
5. Place the unit against the wall, both brackets need to be facing each other.
6. Lace an end of the restraint strap through the hole in each bracket. Bring both ends together and rotate the thumb nut onto the threaded end until tight.
7. Ensure that the restraint strap is securely laced and locked.

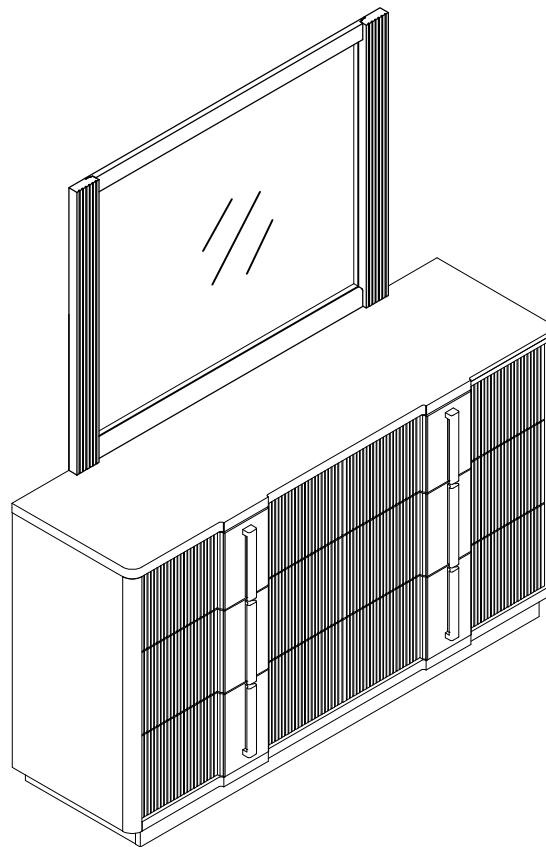


Inner Size of Drawer A : 29.00"W x 13.75"D x 7.25"H x 0.25"T  
Inner Size of Drawer B : 29.00"W x 13.75"D x 8.50"H x 0.25"T



Note : Dimension tolerance  $\pm 5\%$

# ASSEMBLY INSTRUCTIONS



*Fine Furniture for every stage of life*

**Mirror**

# ASSEMBLY INSTRUCTIONS

## ASSEMBLY TIPS:

- 1.Remove hardware from box and sort by size.
- 2.Please check to see that all hardware and parts are present prior to start of assembly.
- 3.Please follow attached instructions in the same sequence as numbered to assure fast & easy assembly.



## WARNING

- 1.Don't attempt to repair or modify parts that are broken or defective. Please contact the store immediately.
- 2 This product is for home use only and not intended for commercial establishments.

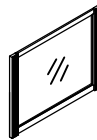


ASSEMBLY TIME

5 MINUTES

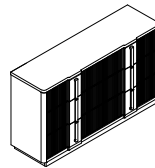
## PARTS IDENTIFICATION

A MIRROR



1PC

B DRESSER



1PC

C MIRROR SUPPORT  
(PACKED WITH DRESSER)



2PCS

## HARDWARE IDENTIFICATION

1 BOLT  
(1/4" x 32mm - RBW)



6PCS

2 LOCK WASHER  
(1/4" - RBW)



6PCS

3 FLAT WASHER  
(1/4" x 19 x 1.5mm - RBW)



6PCS

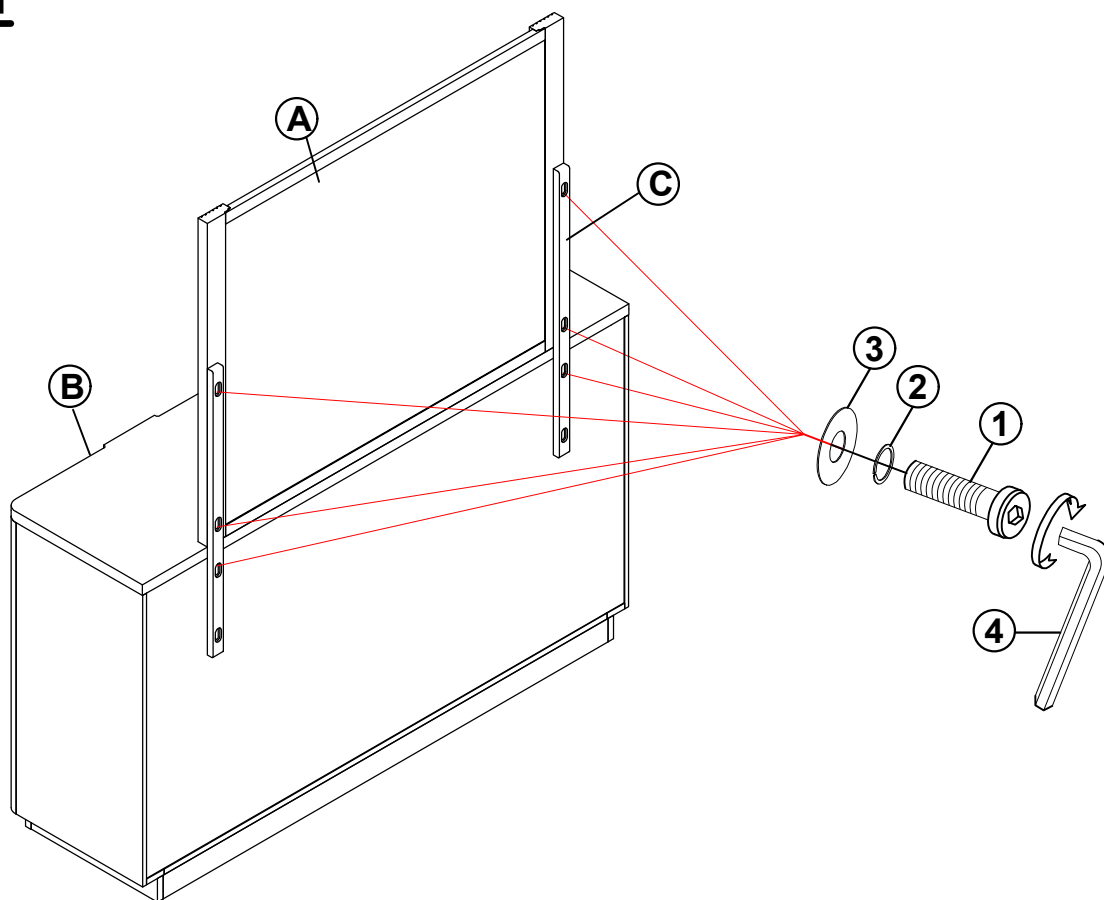
4 ALLEN WRENCH  
(4mm - RBW)



1PC

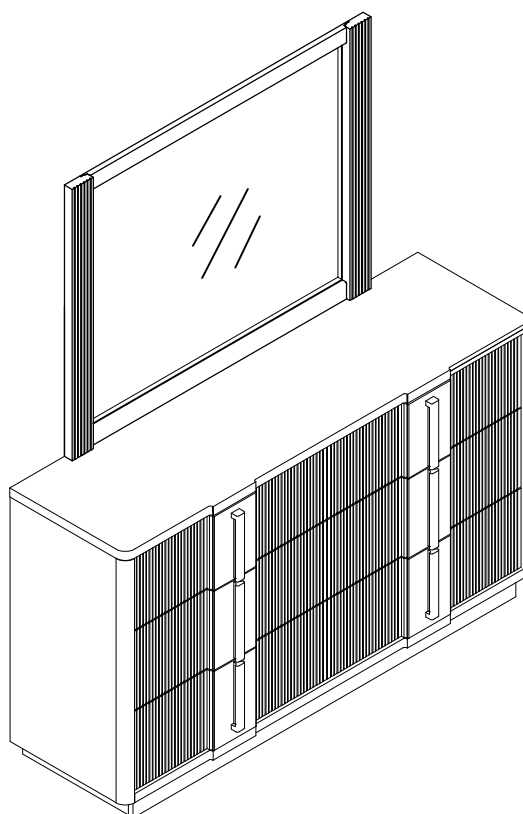
# ASSEMBLY INSTRUCTIONS

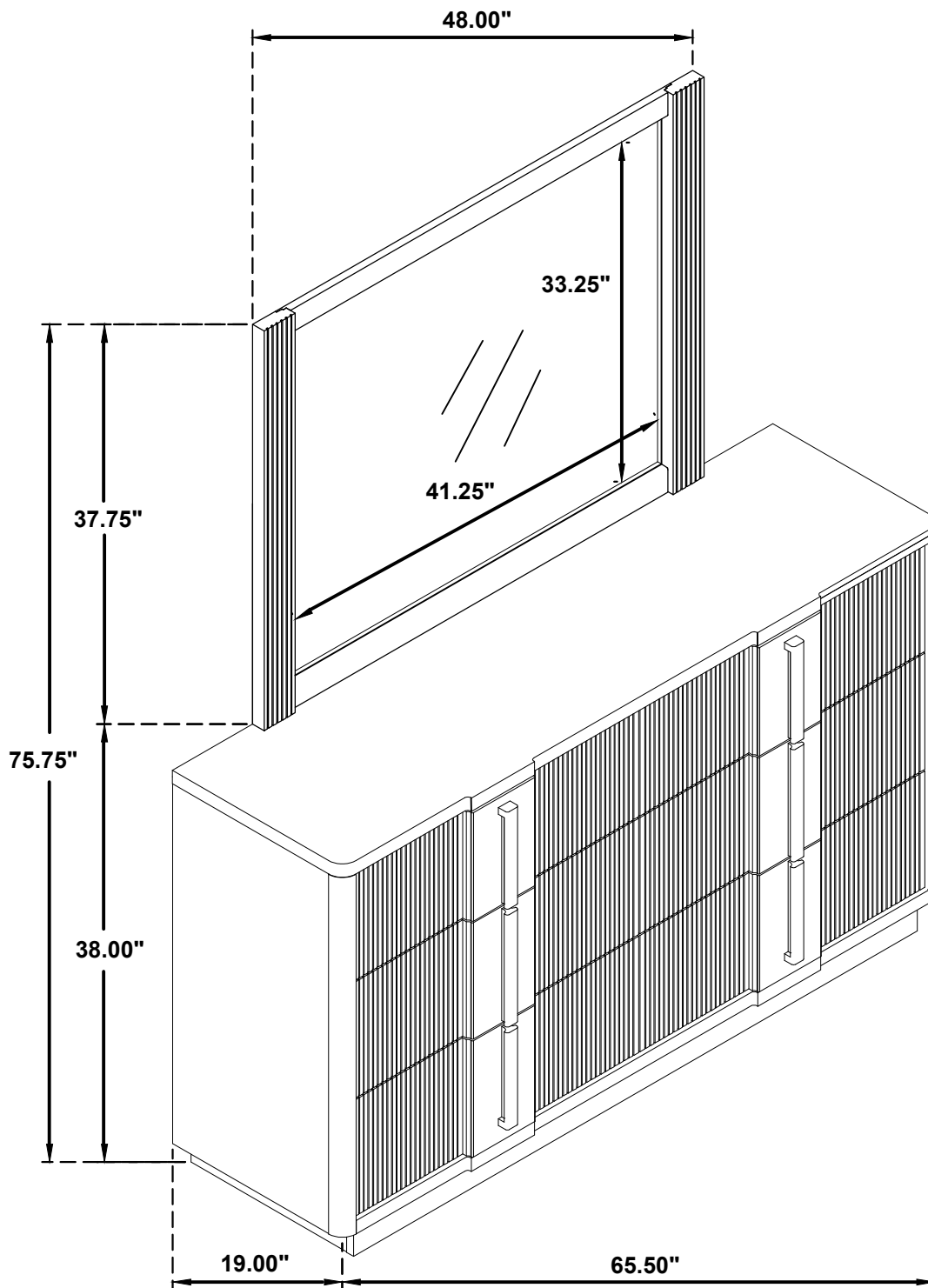
## STEP 1



## STEP 2

## COMPLETE





**Note : Dimension tolerance  $\pm 5\%$**

# ASSEMBLY INSTRUCTIONS



*Fine Furniture for every stage of life*

**Chest**

# ANTI-TIPPING INSTALLATION INSTRUCTIONS

## FURNITURE TIPPING RESTRAINT

### WARNING

Injury may result from tipping furniture.

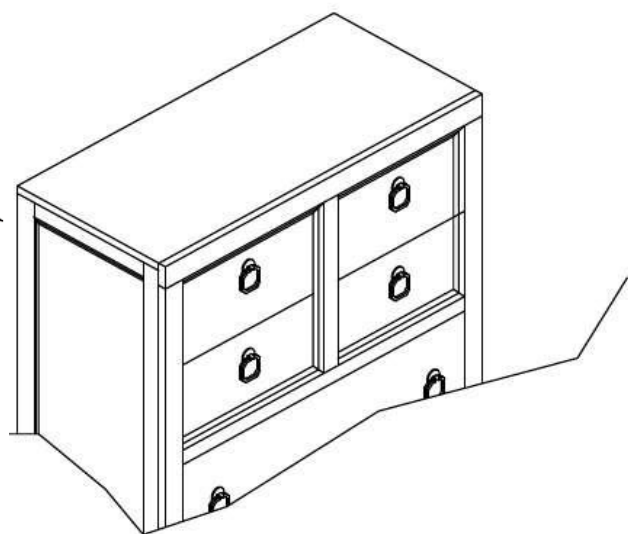
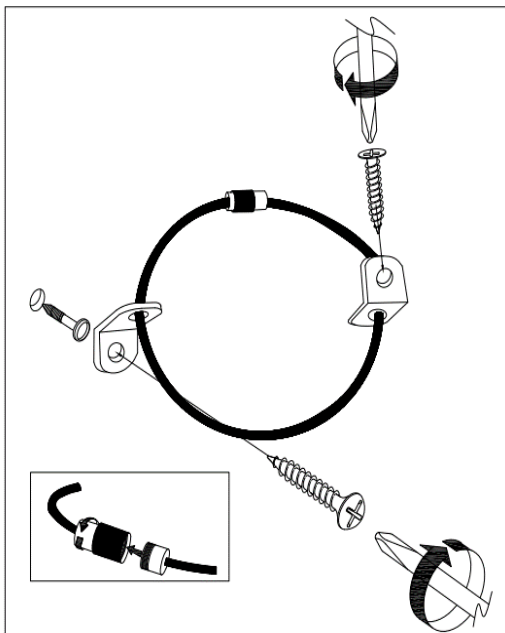
This restraint may protect against tipping furniture.

Do not allow children to climb on furniture.

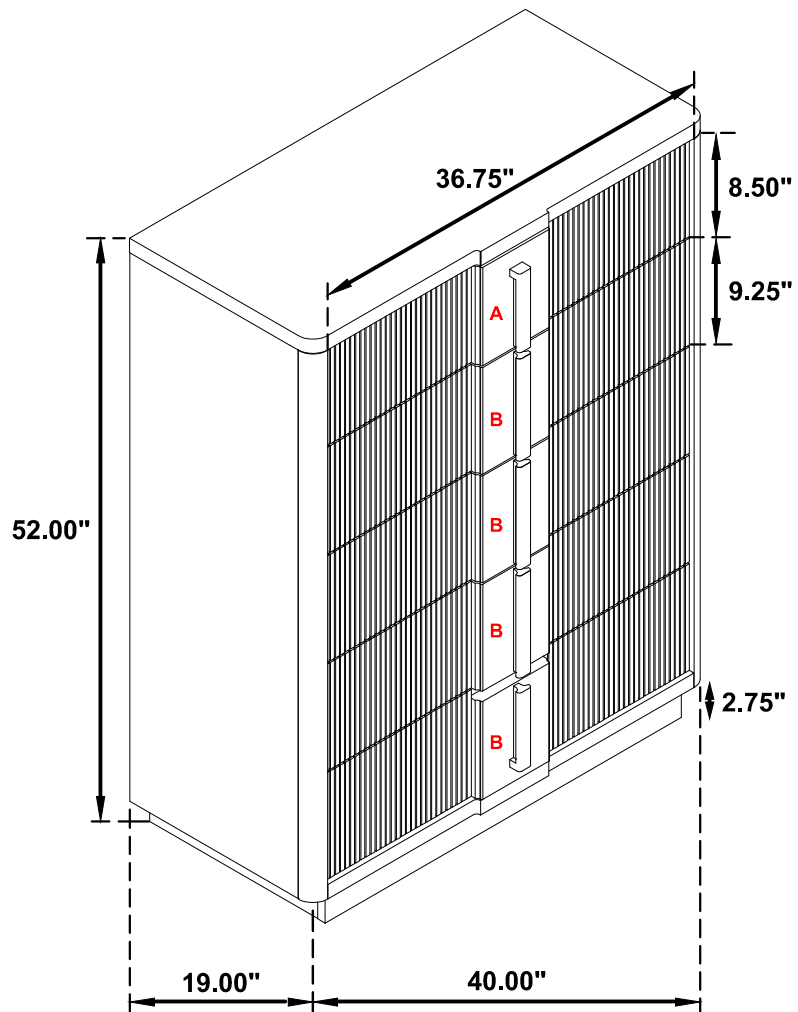
This restraint is not a substitute for proper adult supervision.

Failure to detach this restraint before moving the furniture may result in injury and damage.

1. Attach one of the mounting brackets securely to the back edge of the unit, using the short screw.
2. Determine where the unit is to be placed, and mark the location on the wall for the other mounting bracket. The bracket on the wall needs to be approximately 2" below the bracket mounted to the edge of the unit.
3. Drill a hole in the wall. Insert the plastic wall anchor into the hole and if necessary, use a small block of wood and hammer to tap it in so that it's flush with the wall.
4. Attach the bracket over the plastic wall anchor using the long screw.
5. Place the unit against the wall, both brackets need to be facing each other.
6. Lace an end of the restraint strap through the hole in each bracket. Bring both ends together and rotate the thumb nut onto the threaded end until tight.
7. Ensure that the restraint strap is securely laced and locked.



Inner Size of Drawer A : 35.00"W x 13.75"D x 5.75"H x 0.25"T  
Inner Size of Drawer B : 35.00"W x 13.75"D x 7.00"H x 0.25"T



Note : Dimension tolerance  $\pm 5\%$