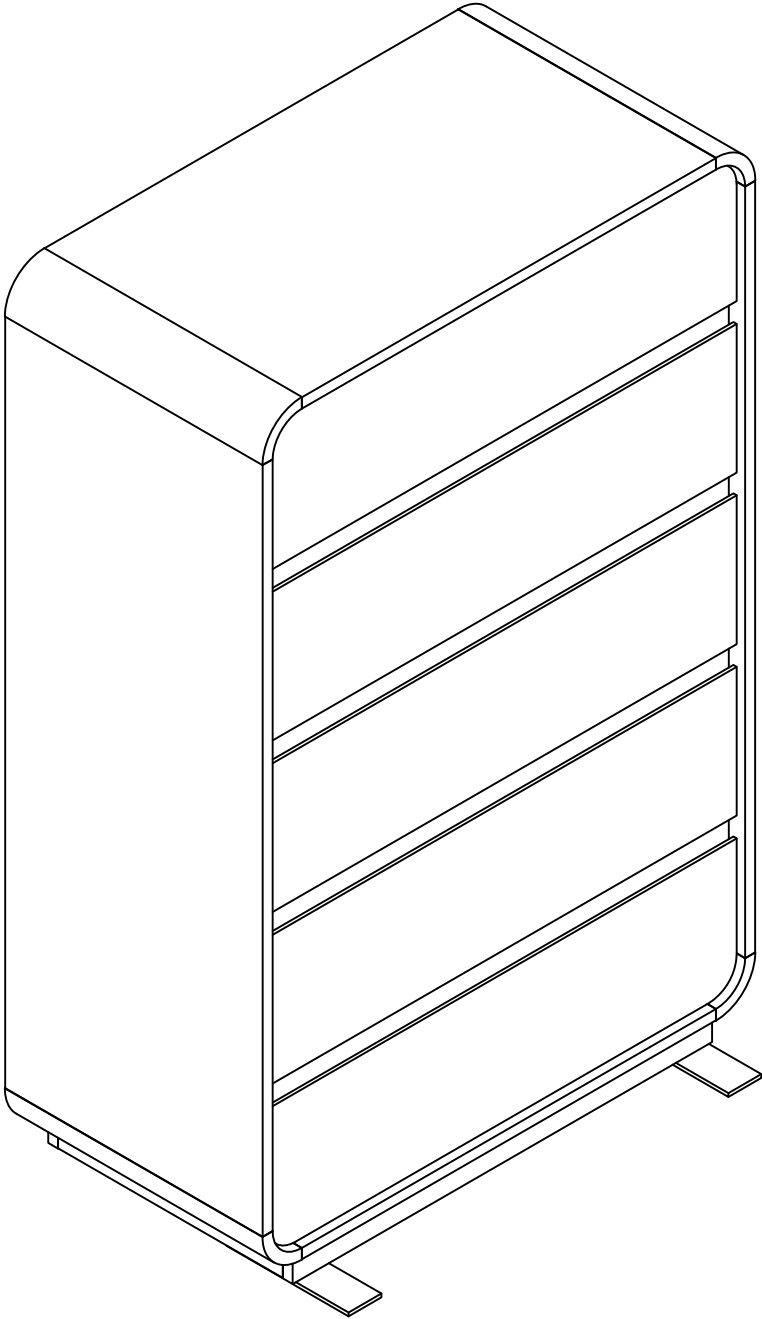
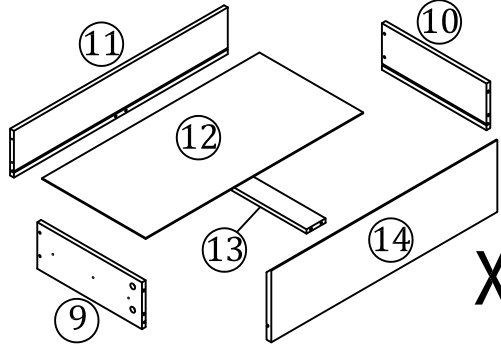
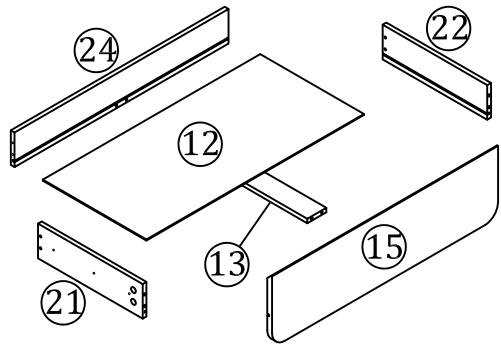
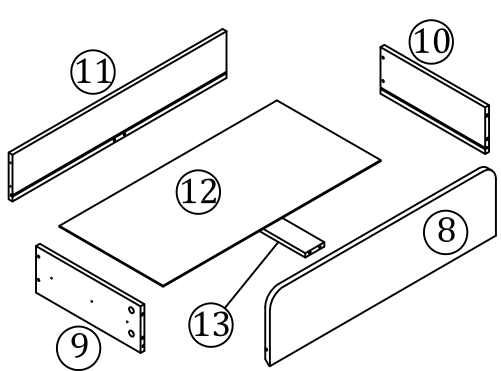
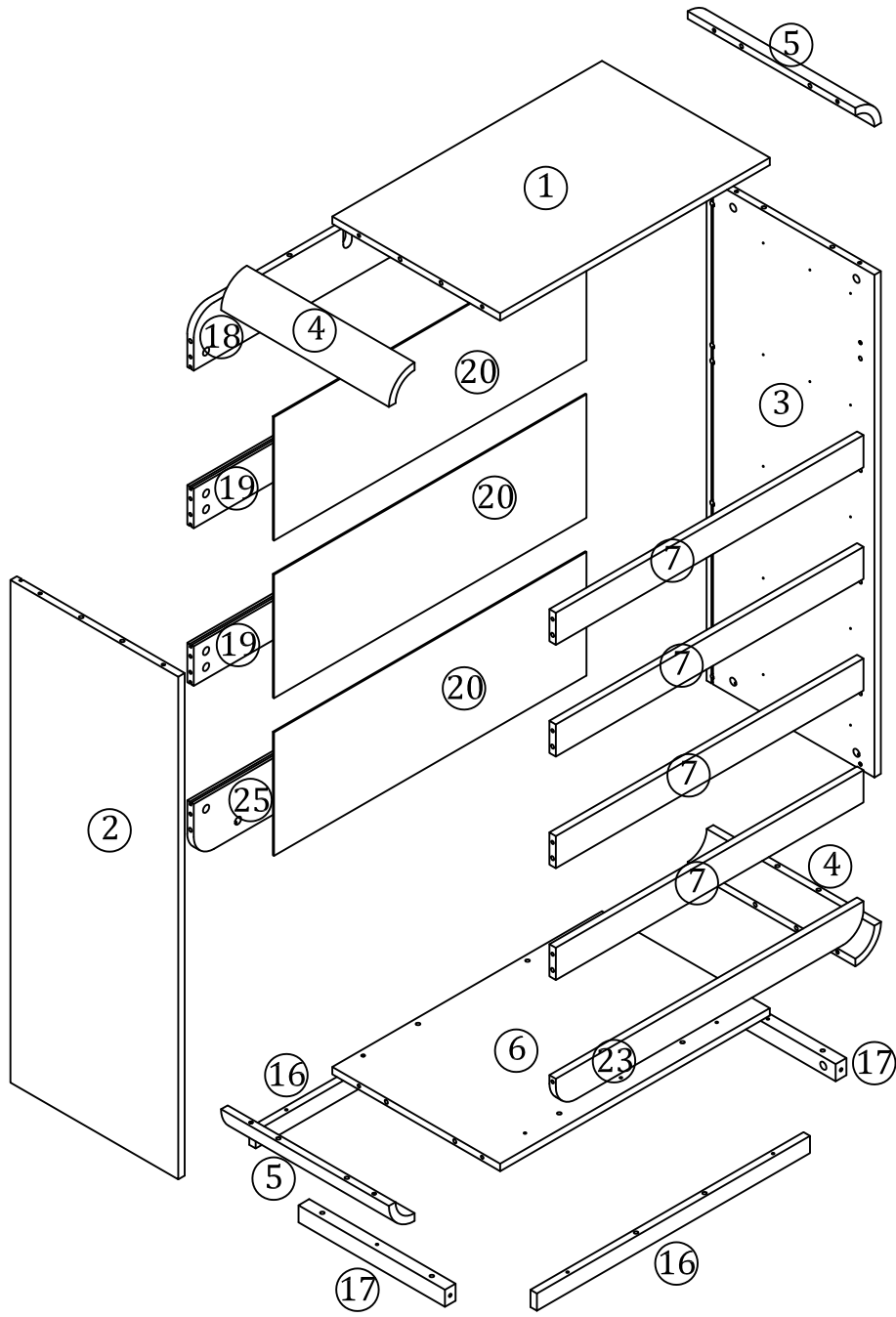
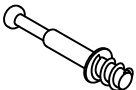

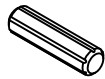
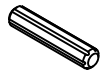
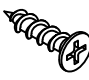
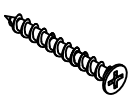
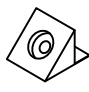

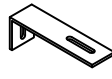
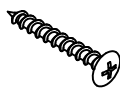
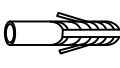

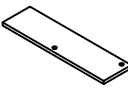
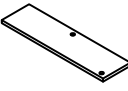

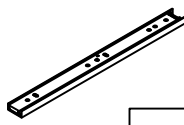


Installation & Assembly

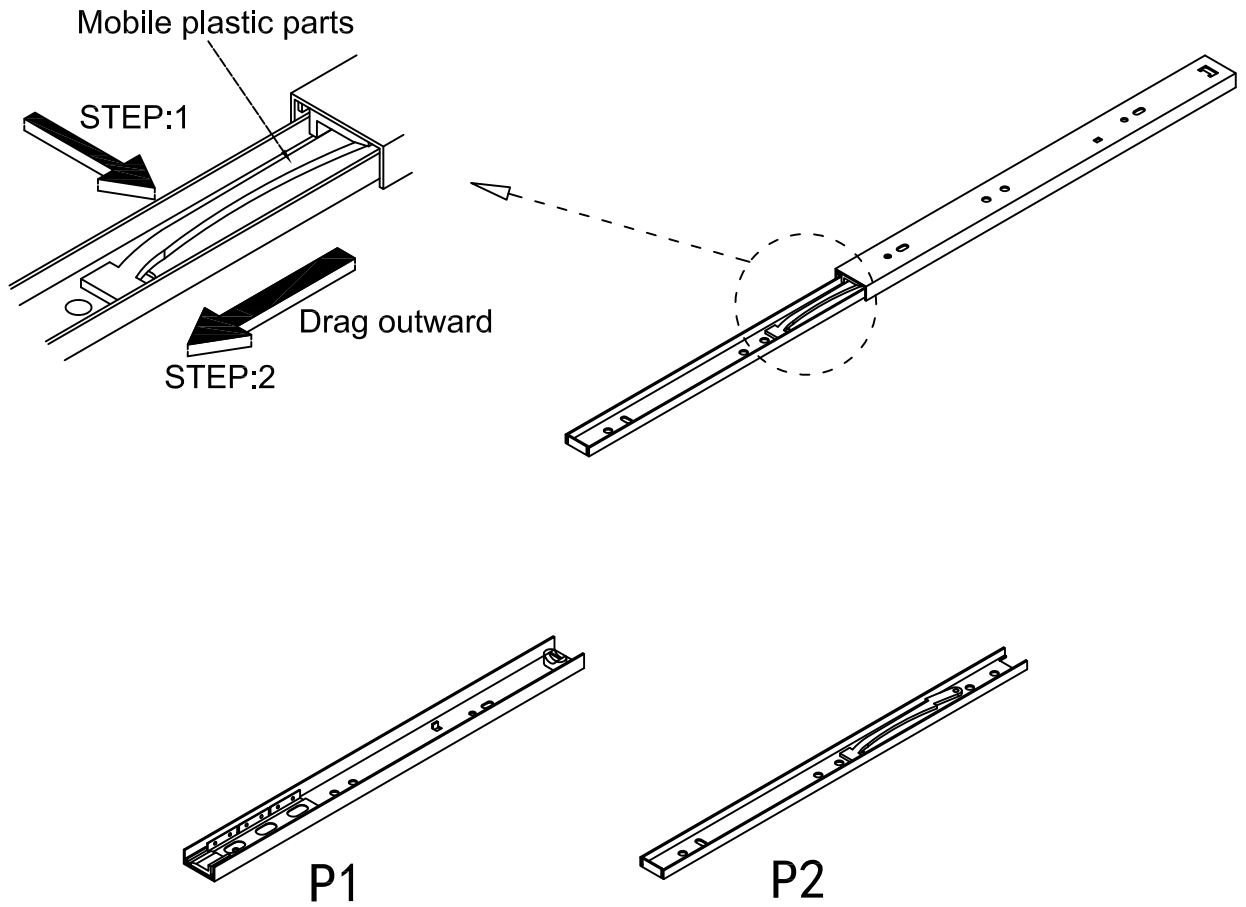




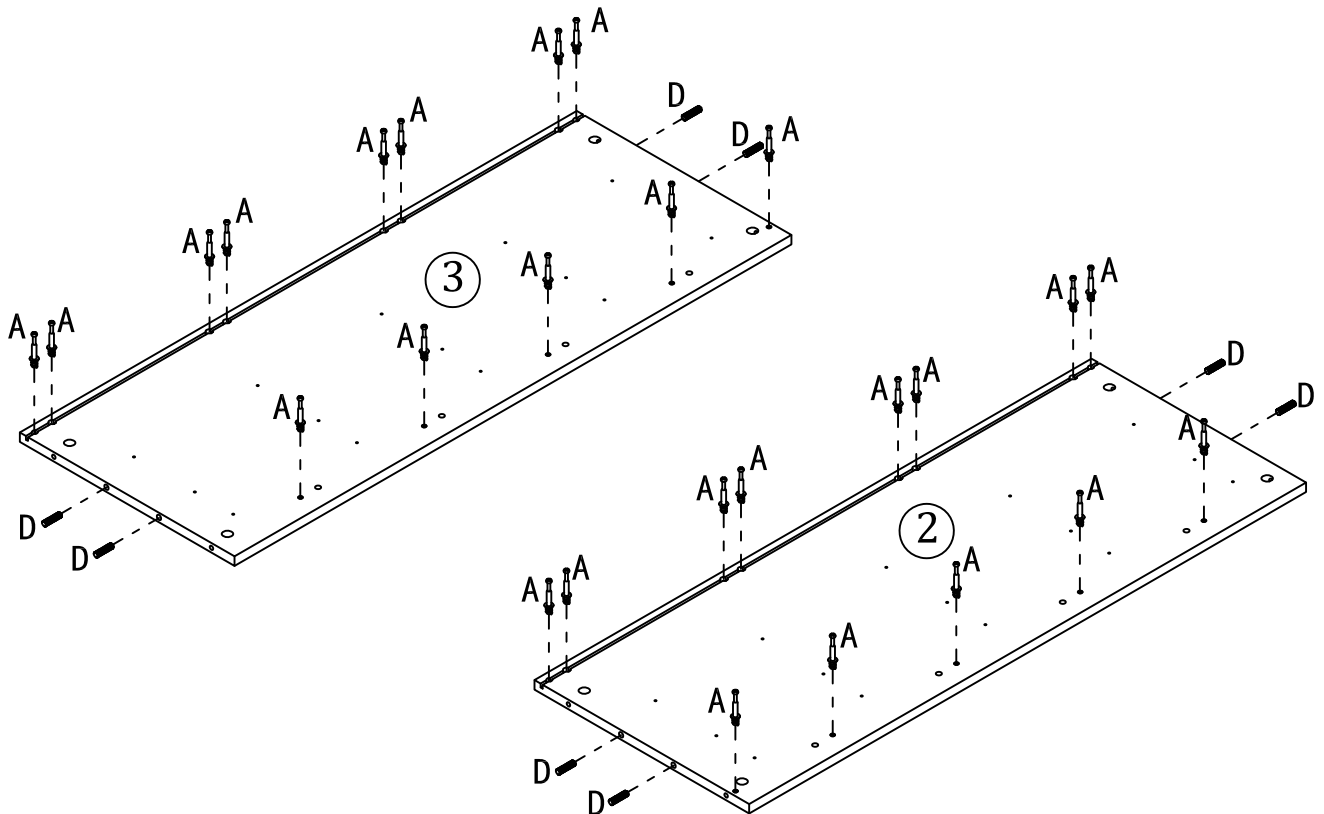
X3


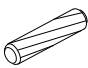
<p>A</p>  <p>75+2PCS</p>	<p>B</p>  <p>75+2PCS</p>	<p>C</p>  <p>Ø6*30MM 10+1PCS</p>	<p>D</p>  <p>Ø8*30MM 36+2PCS</p>
<p>E</p>  <p>M3.5*12MM 60+2PCS</p>	<p>F</p>  <p>M4*30MM 37+2PCS</p>	<p>G</p>  <p>12+1PCS</p>	<p>H</p>  <p>M3*16MM 12+1PCS</p>
<p>I</p>  <p>1PCS</p>	<p>J</p>  <p>4*35MM 1PCS</p>	<p>K</p>  <p>1PCS</p>	<p>L</p>  <p>4*12MM 1PCS</p>
<p>M</p>  <p>1PCS</p>	<p>N</p>  <p>1PCS</p>	<p>O</p>  <p>4PCS</p>	<p>P</p>  <p>10PCS</p>

STEP 1

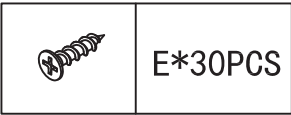
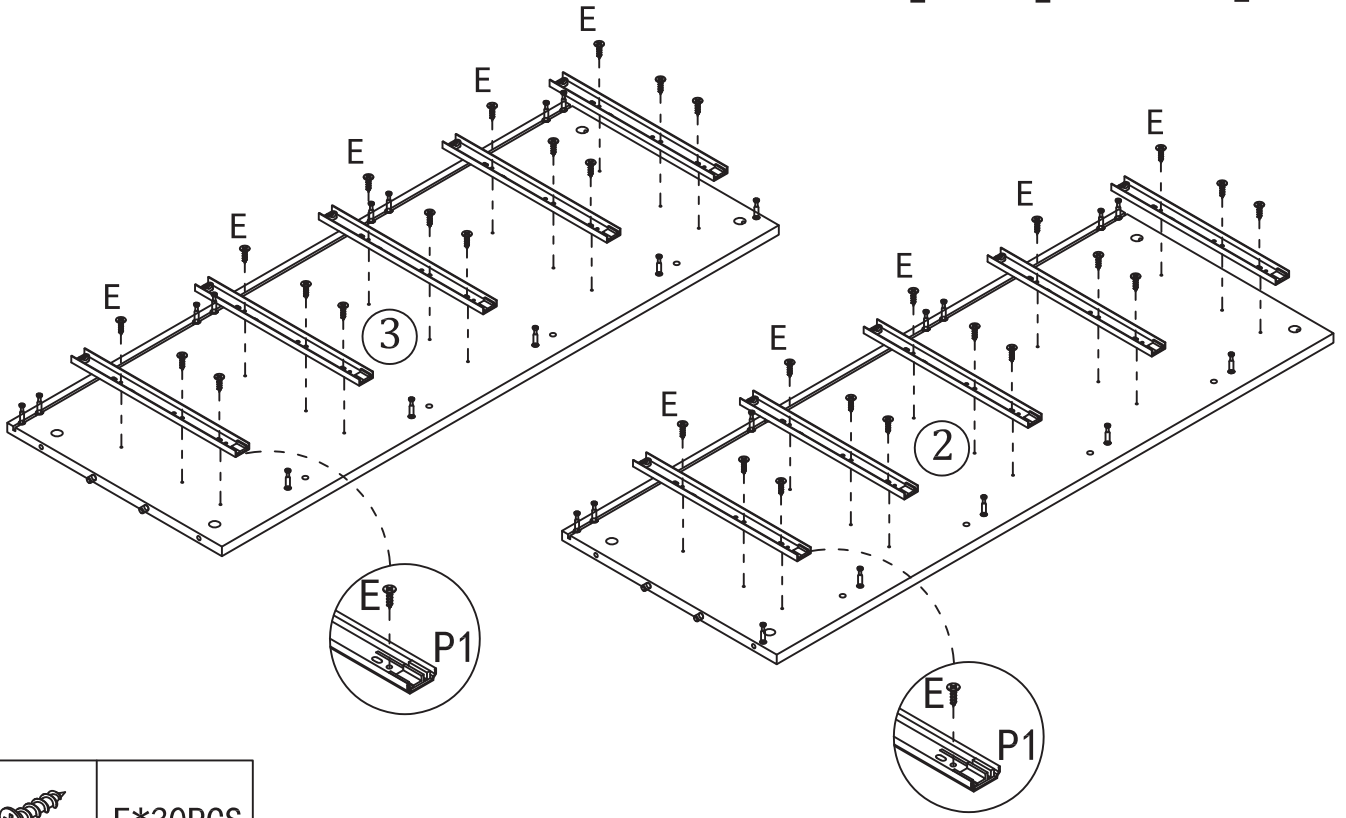
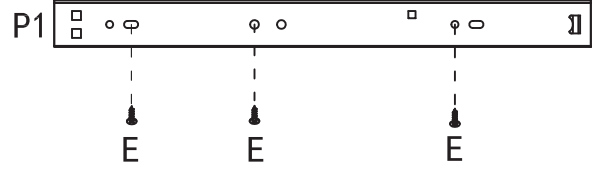


STEP 2

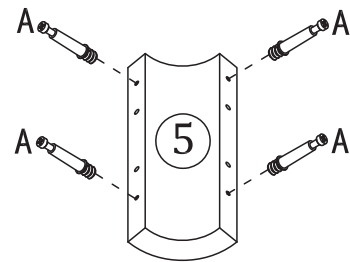
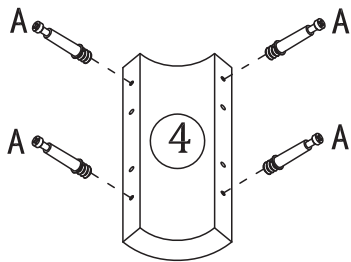


	A*26PCS		D*8PCS
---	---------	---	--------

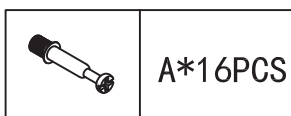
STEP 3



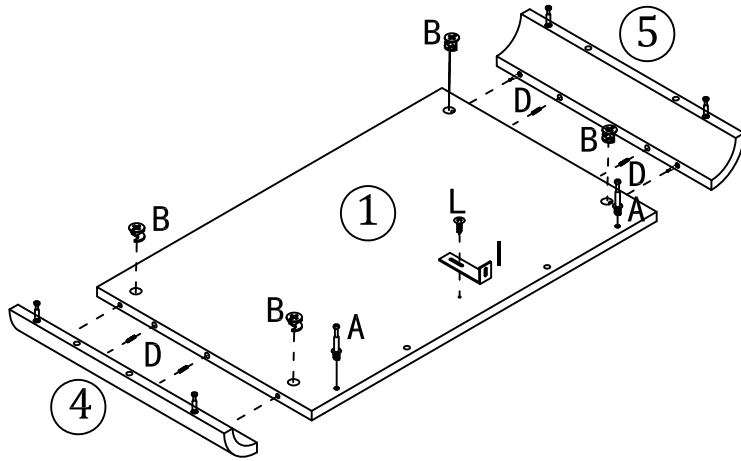
STEP 4




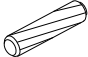



X2

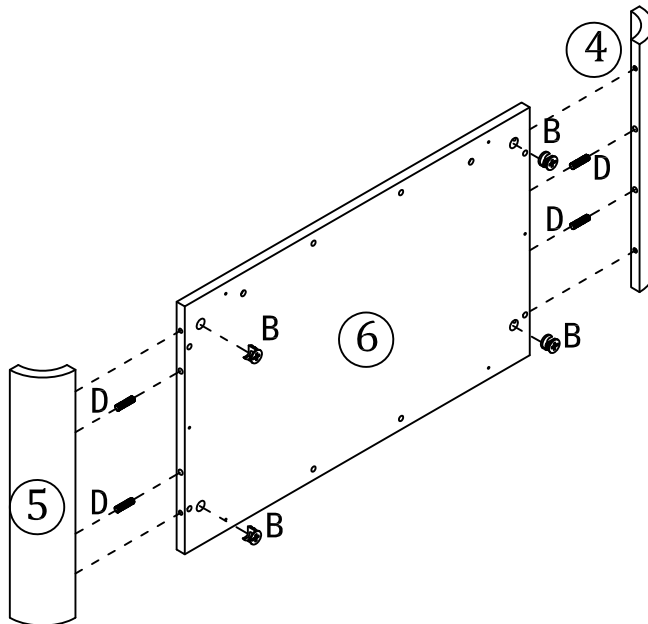



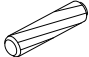
STEP 5



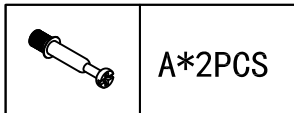
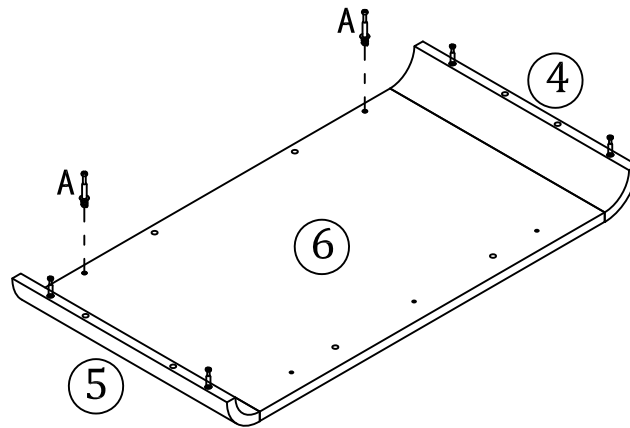
	L*1PCS						
	A*2PCS		B*4PCS		D*4PCS		I*1PCS

STEP 6

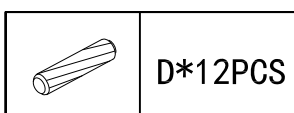
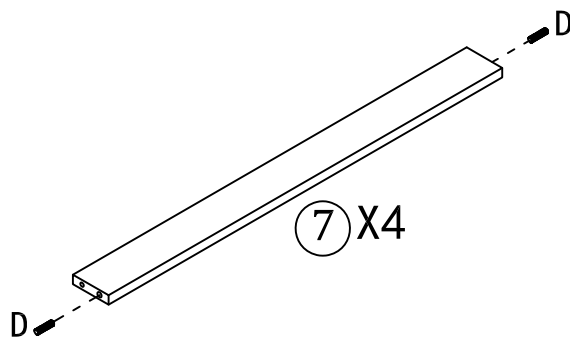
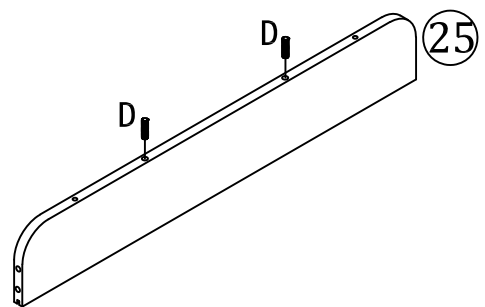
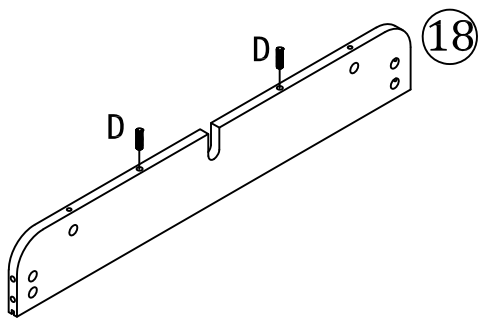


	B*4PCS		D*4PCS
---	--------	---	--------

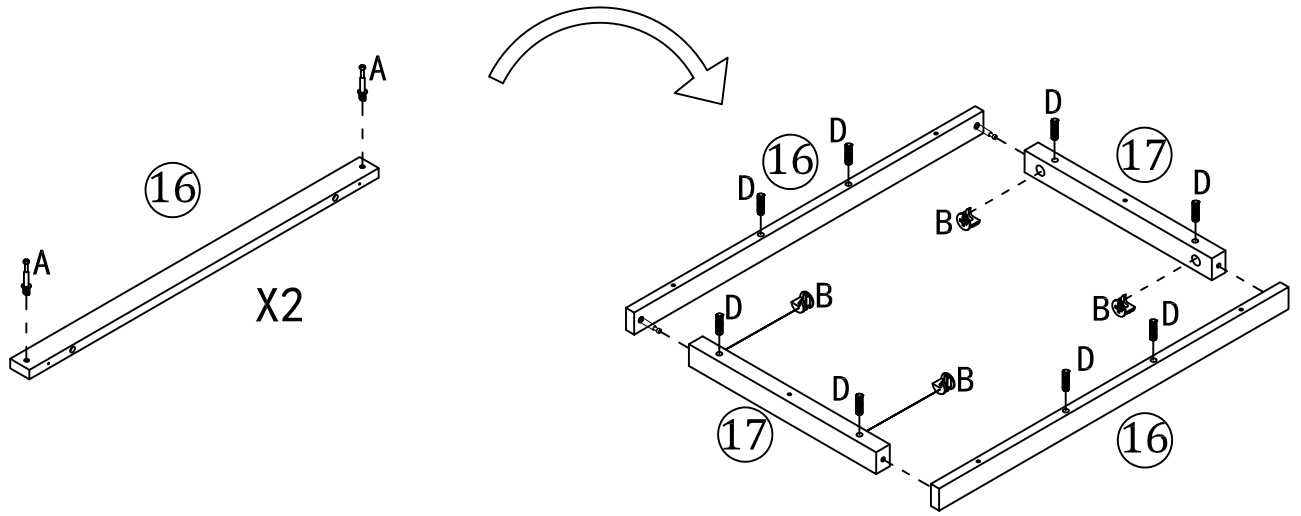
STEP 7



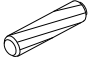


STEP 8

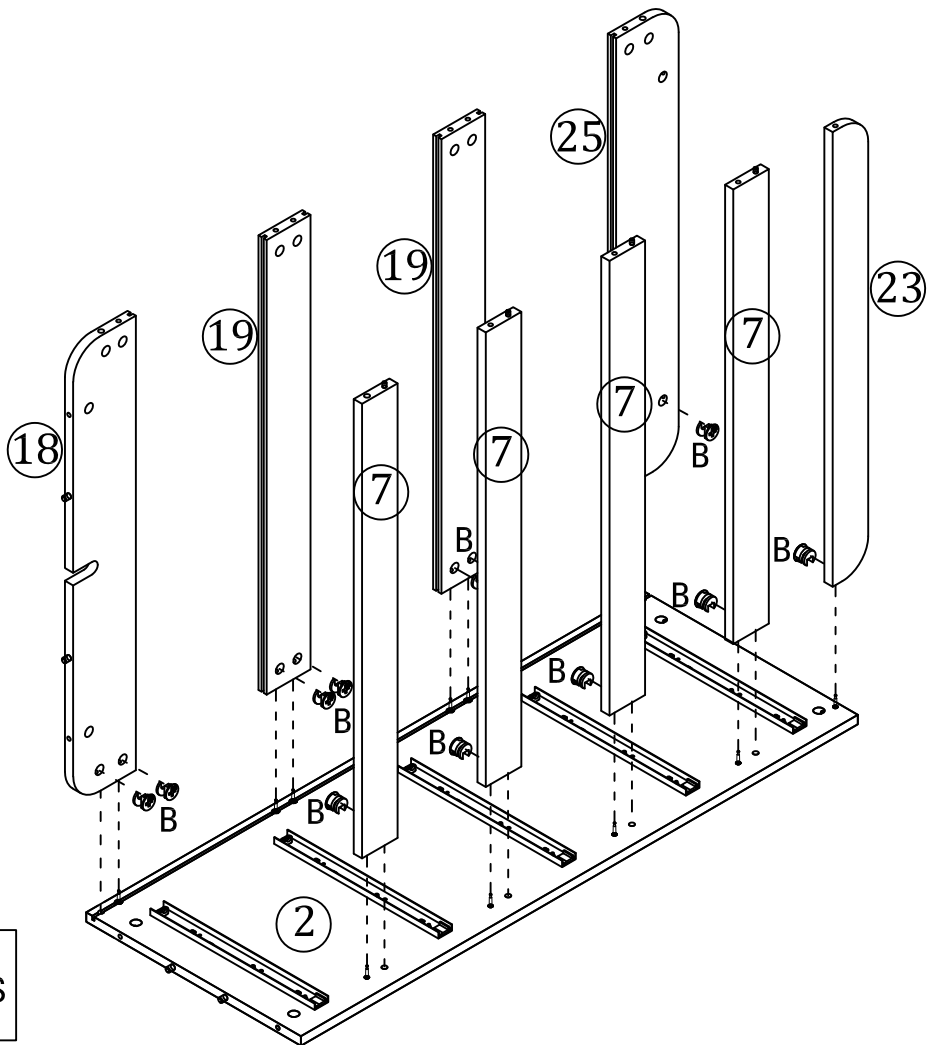



STEP 9



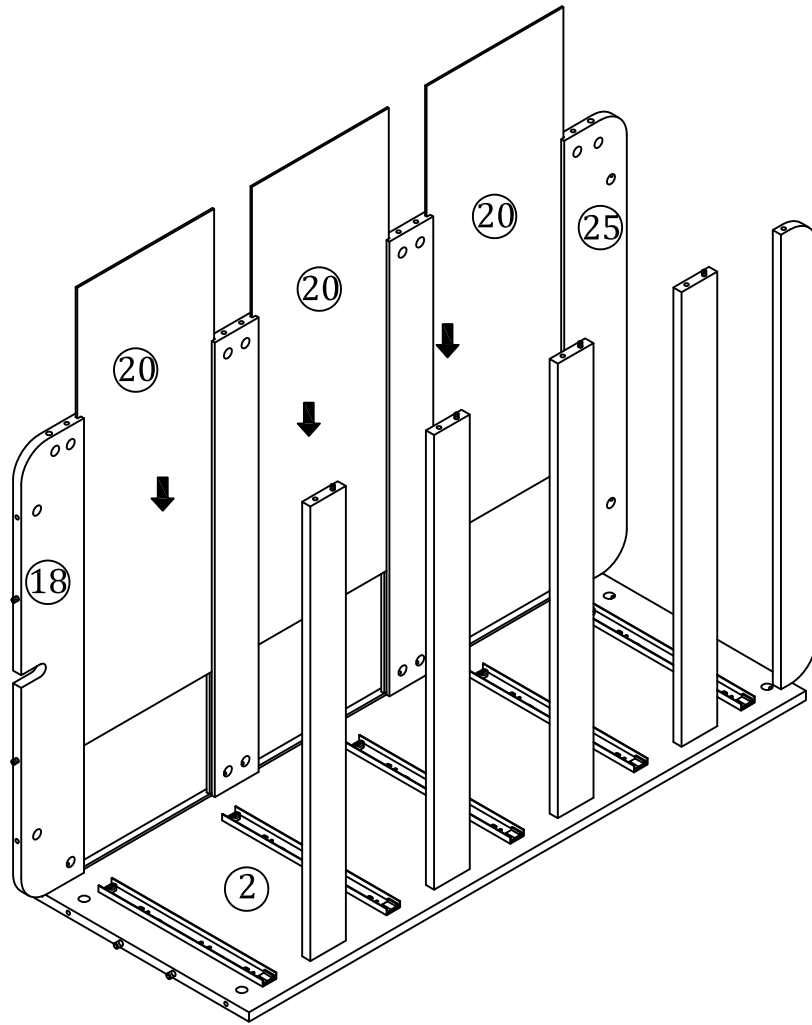
	A*4PCS		B*4PCS		D*8PCS
---	--------	---	--------	---	--------

STEP 10

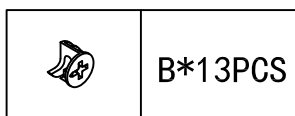
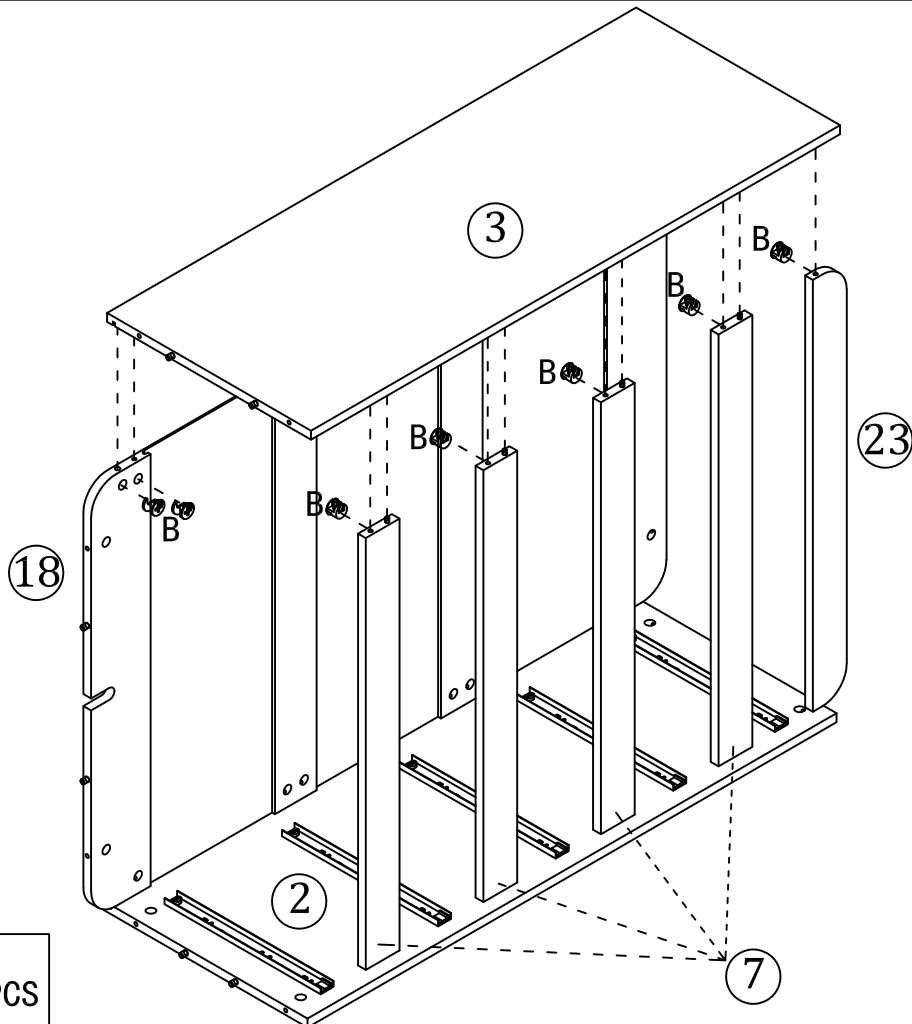


	B*13PCS
---	---------

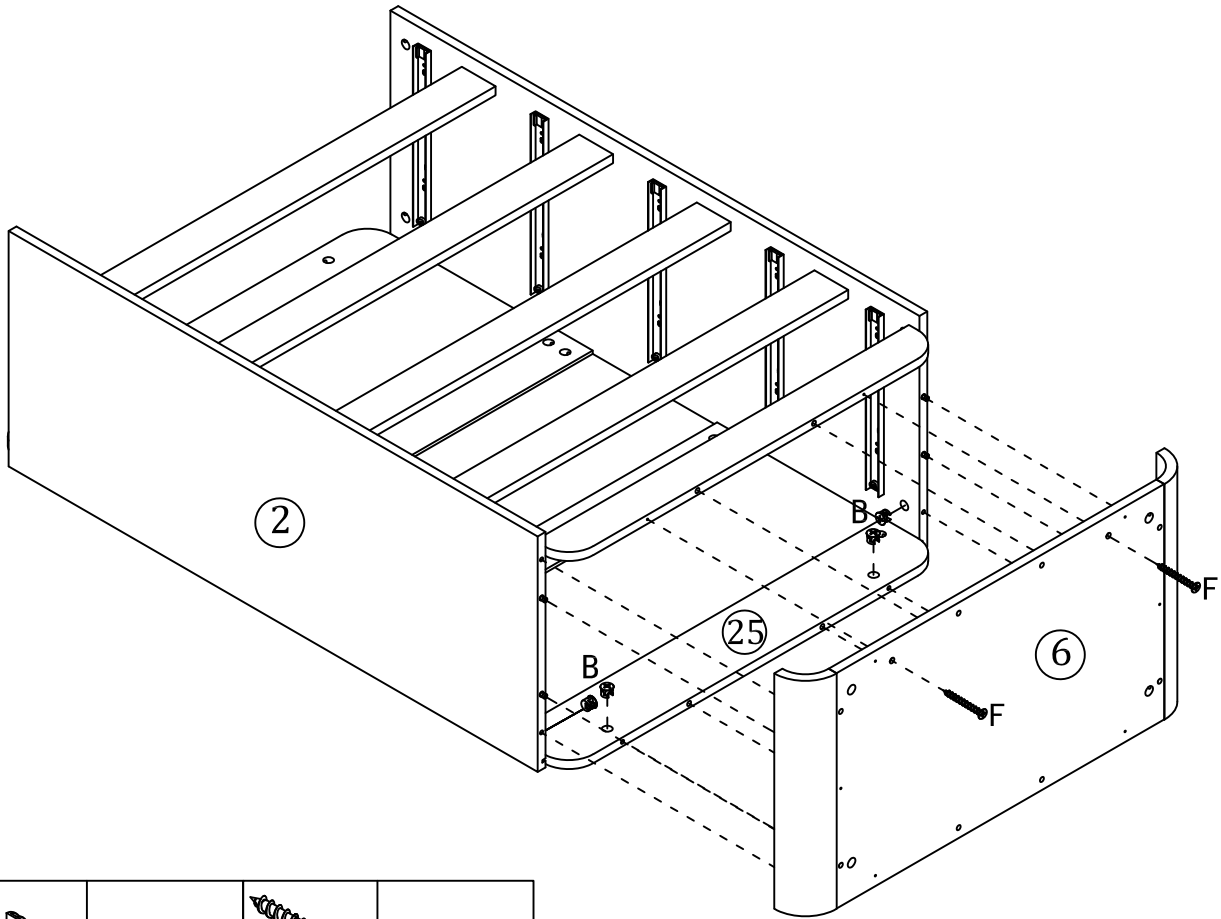
STEP 11


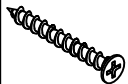


STEP 12

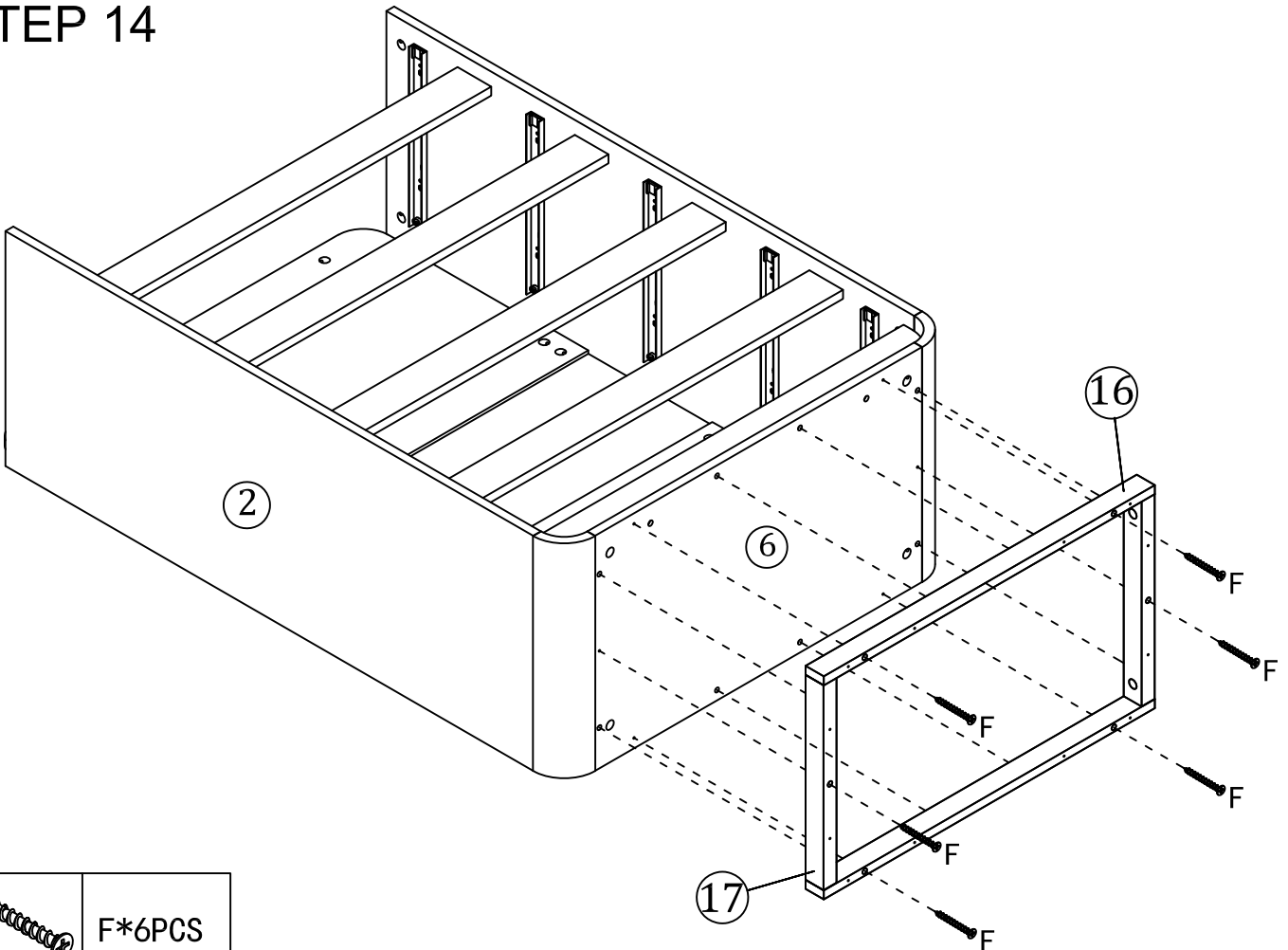


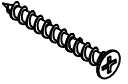
STEP 13



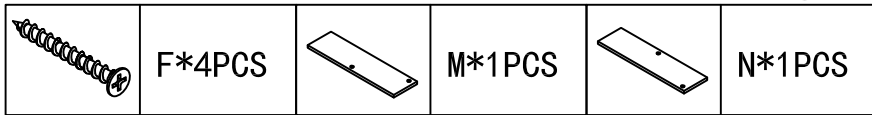
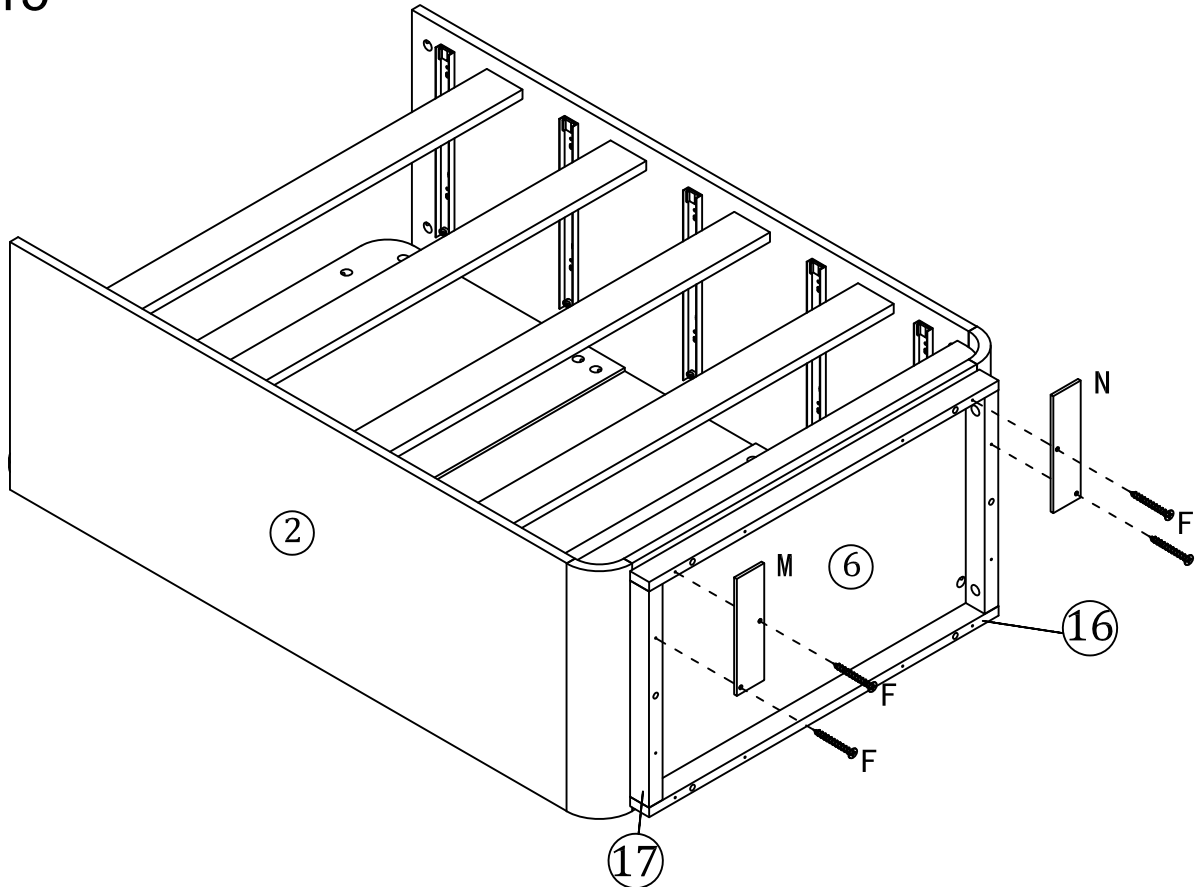
	B*6PCS		F*2PCS
---	--------	---	--------

STEP 14

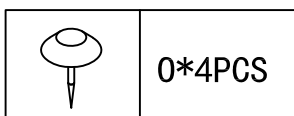
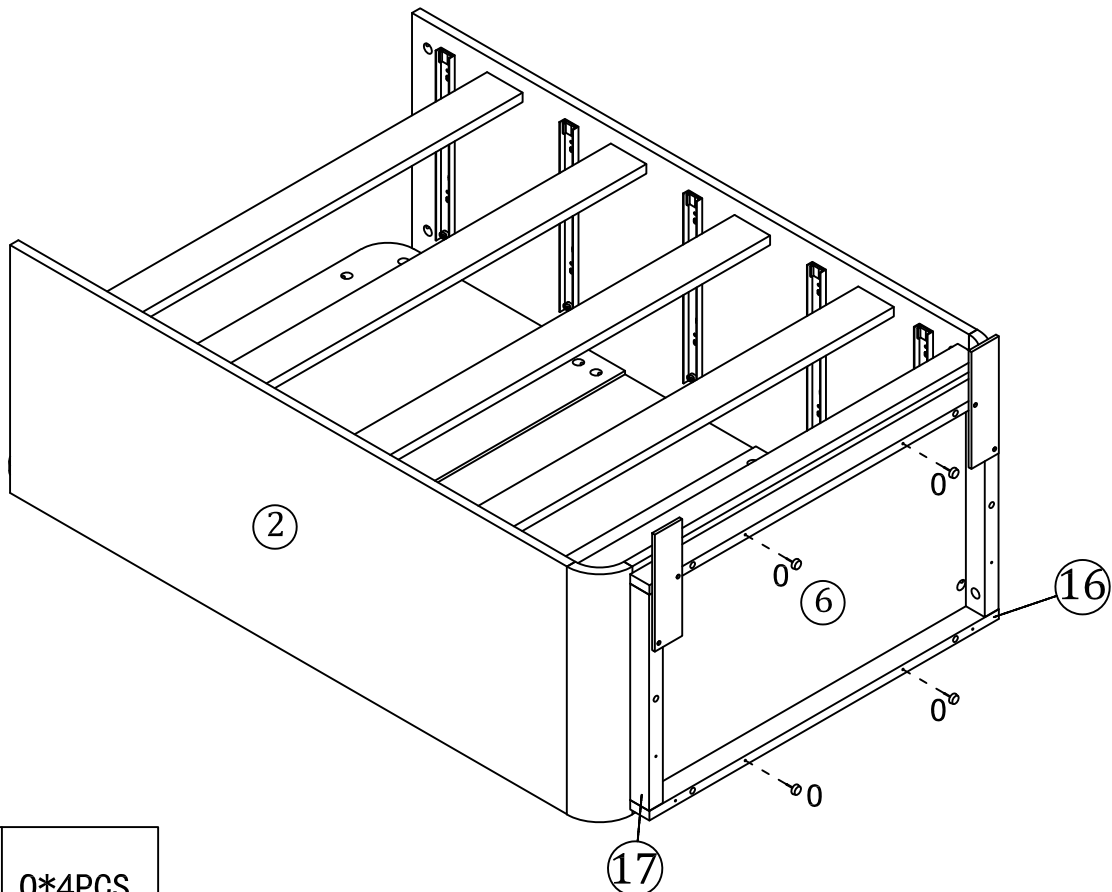


	F*6PCS
--	--------

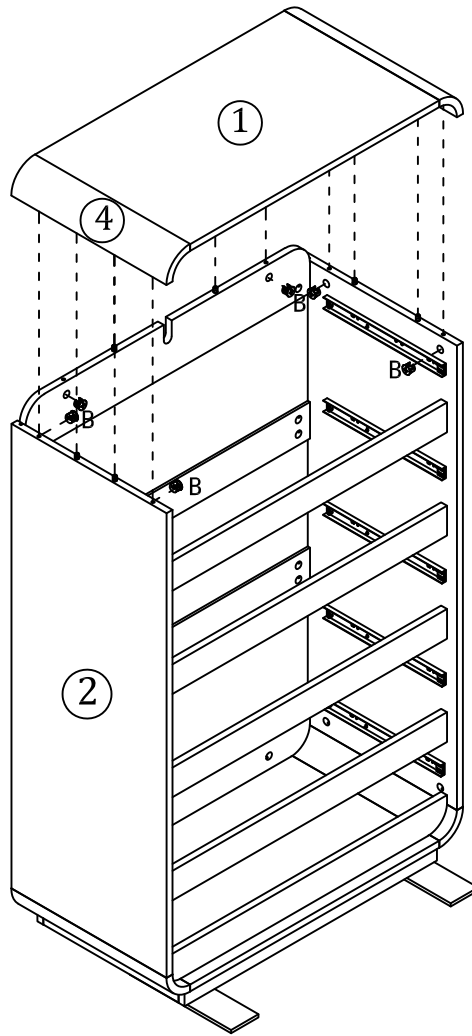
STEP 15




STEP 16

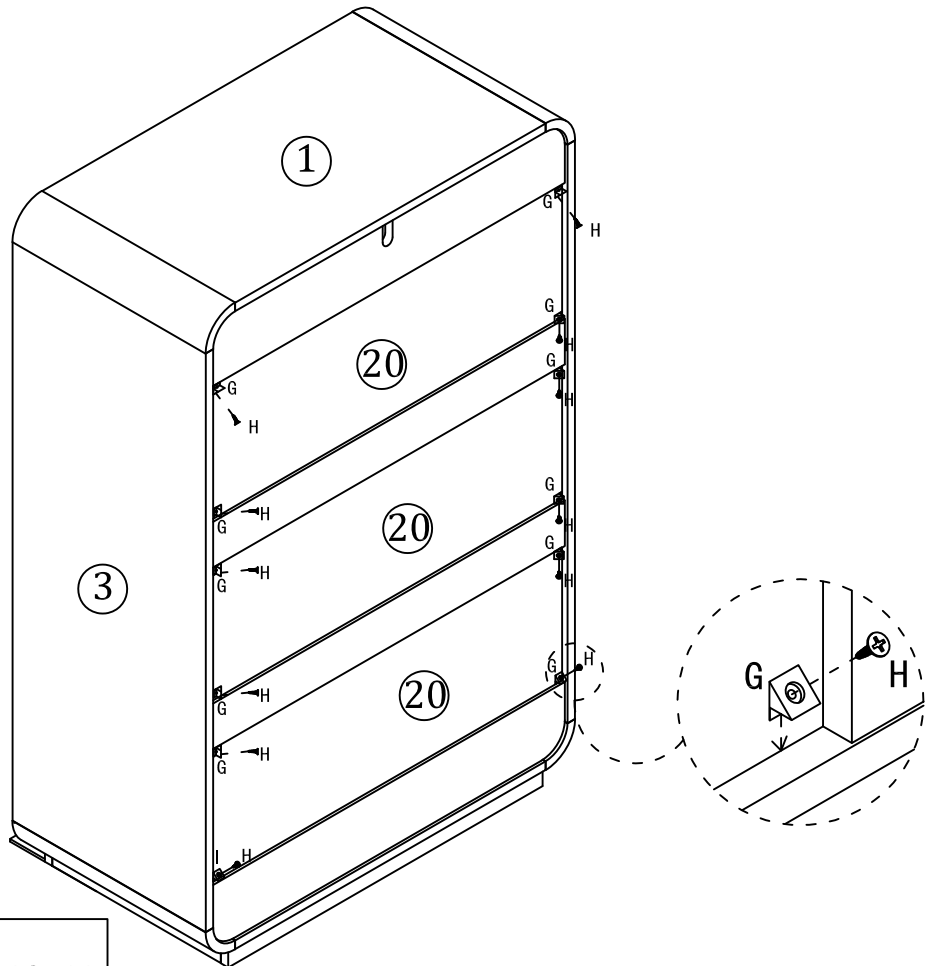




STEP 17



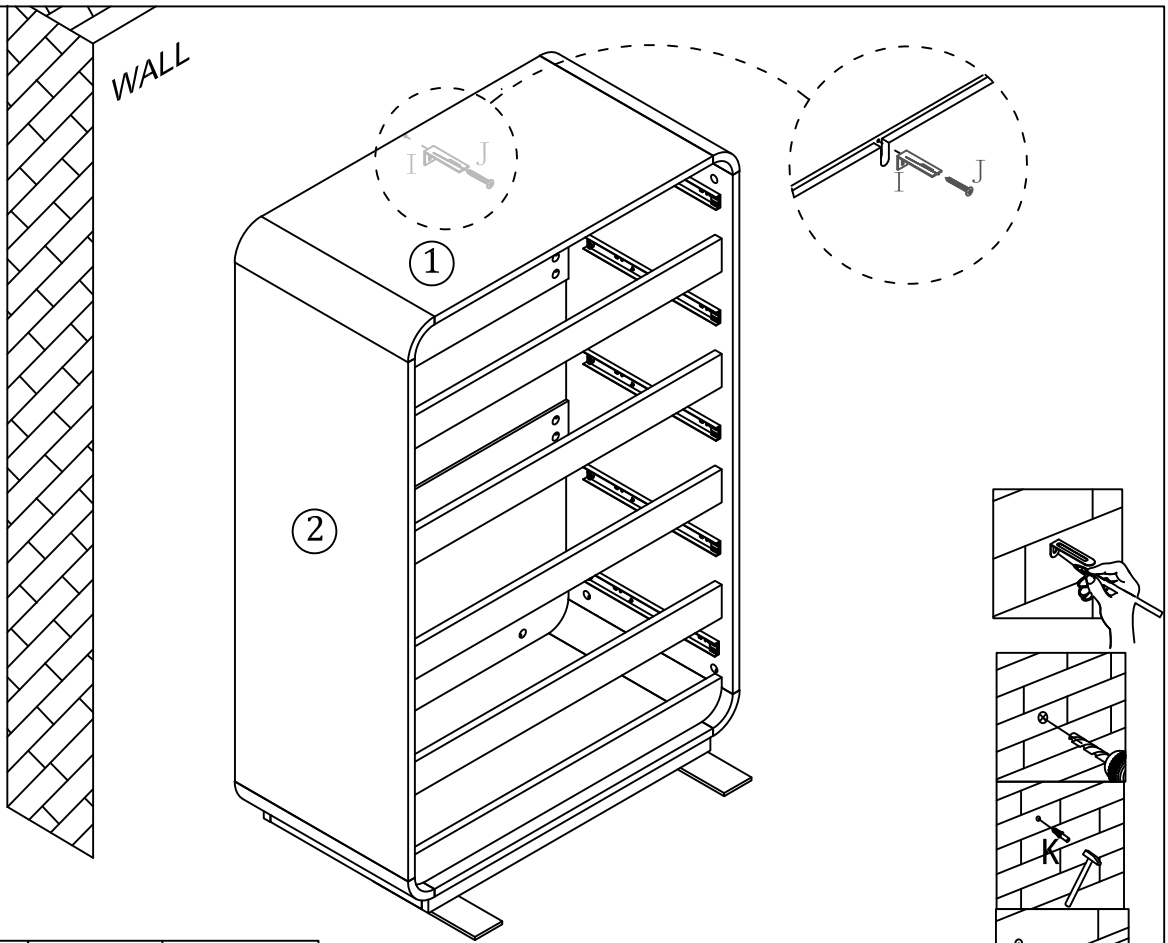
	B*6PCS
---	--------



STEP 18



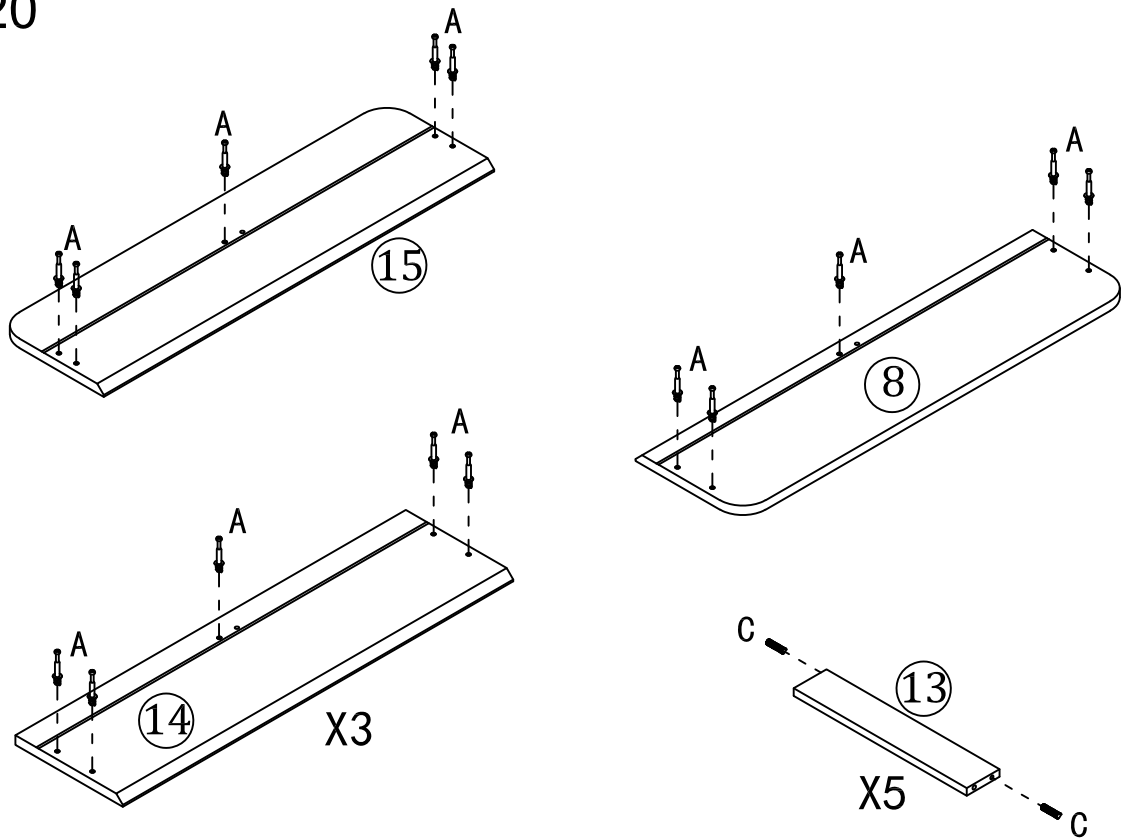
	G*12PCS		H*12PCS
---	---------	---	---------



STEP 19



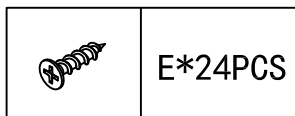
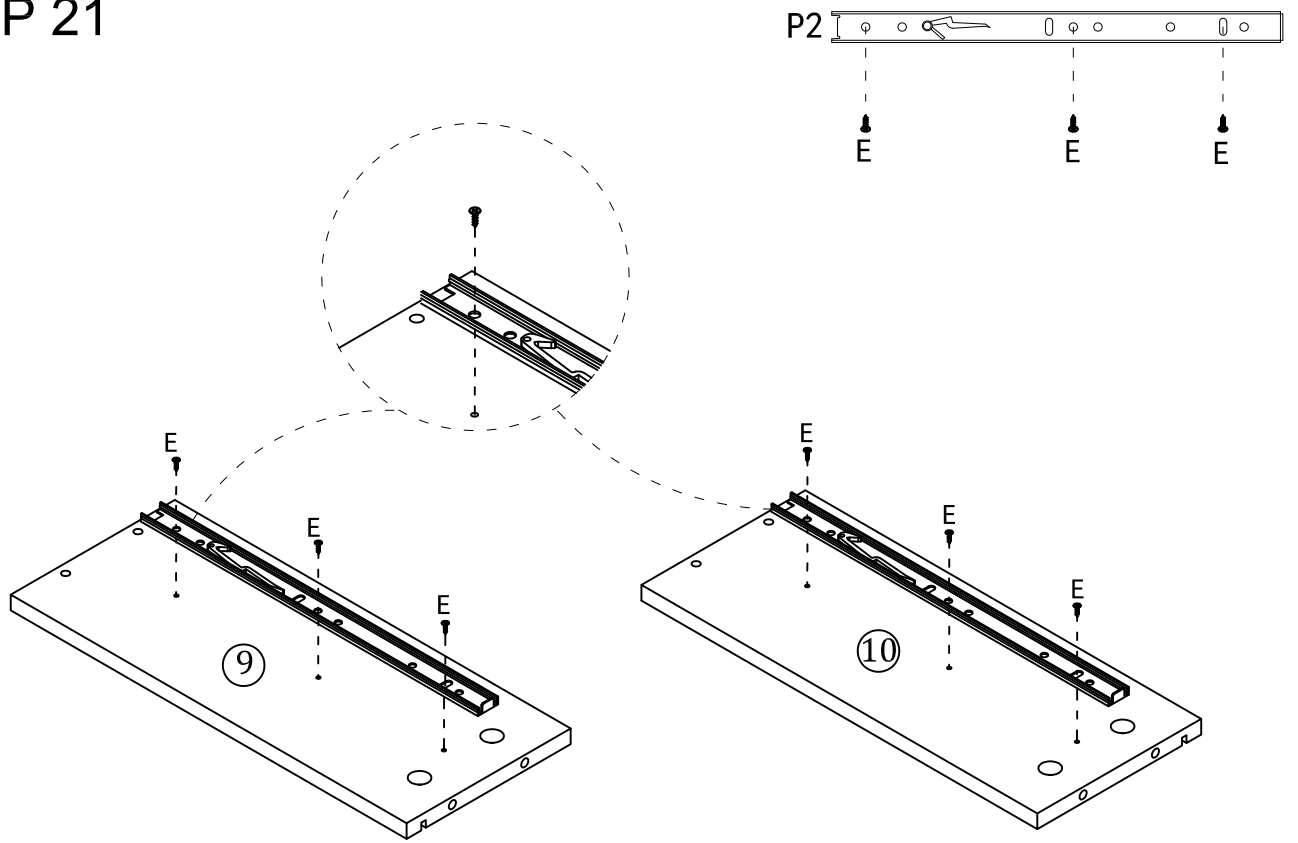
	K*1PCS		J*1PCS
--	--------	---	--------

STEP 20



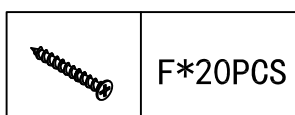
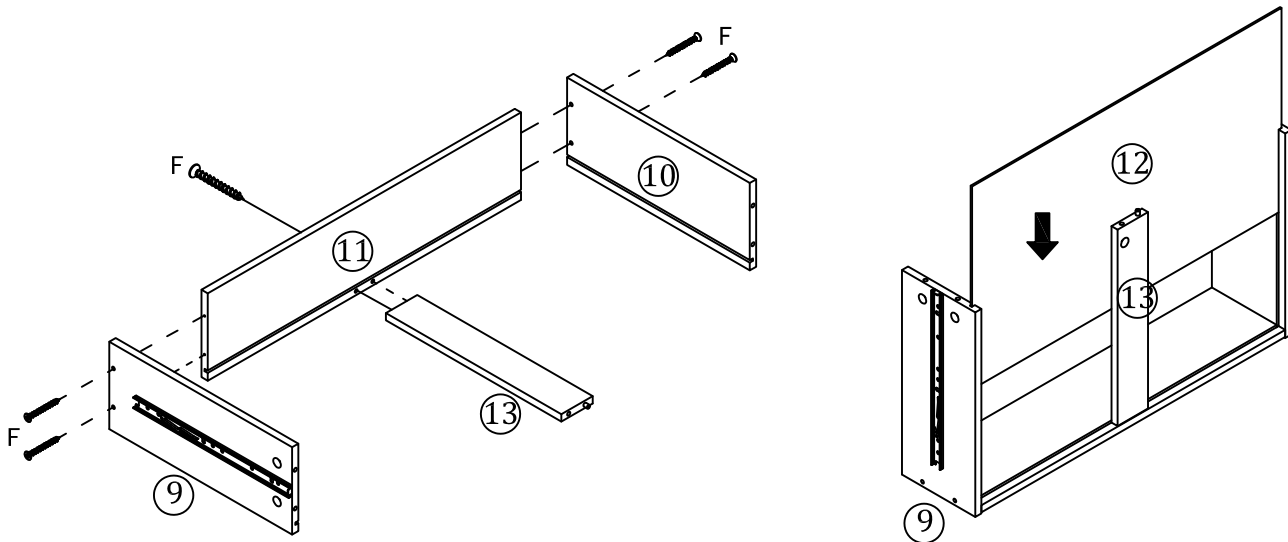
	A*25PCS		C*10PCS
---	---------	---	---------

STEP 21



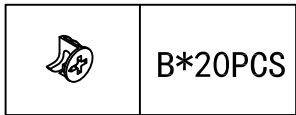
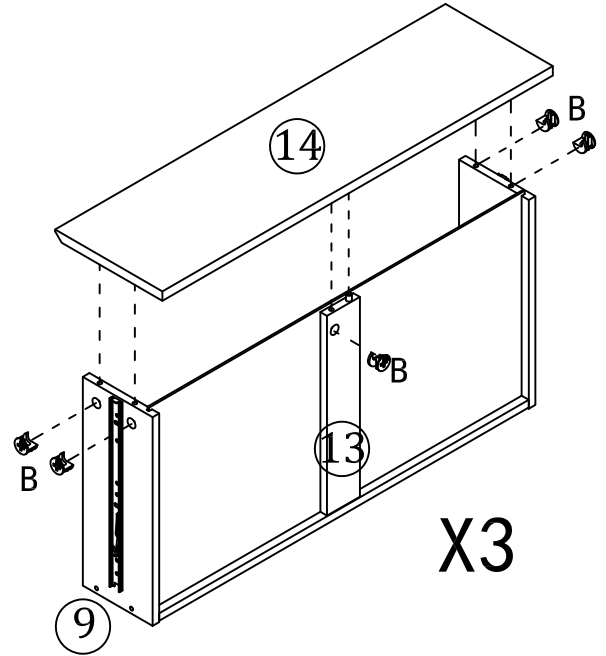
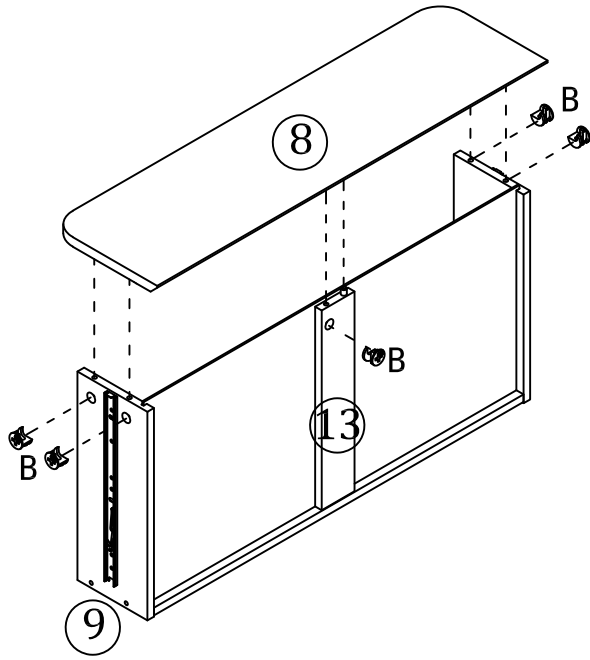
X4

STEP 22

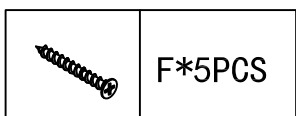
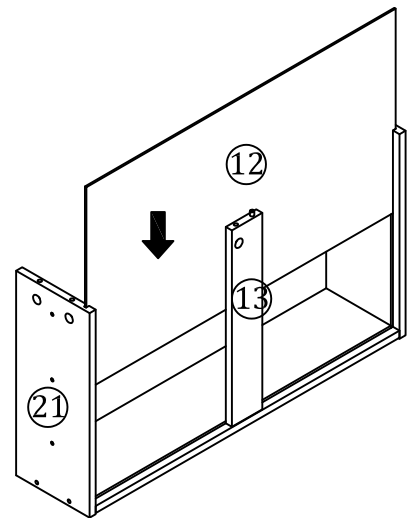
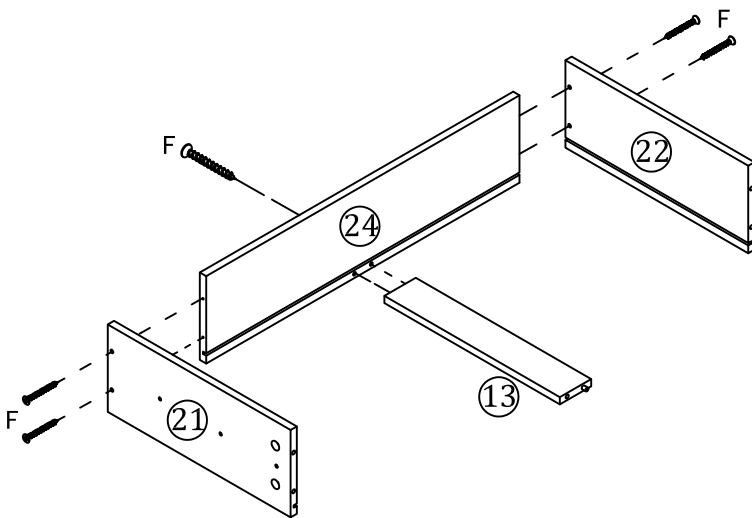


X4

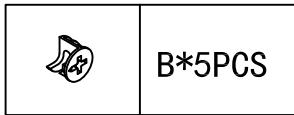
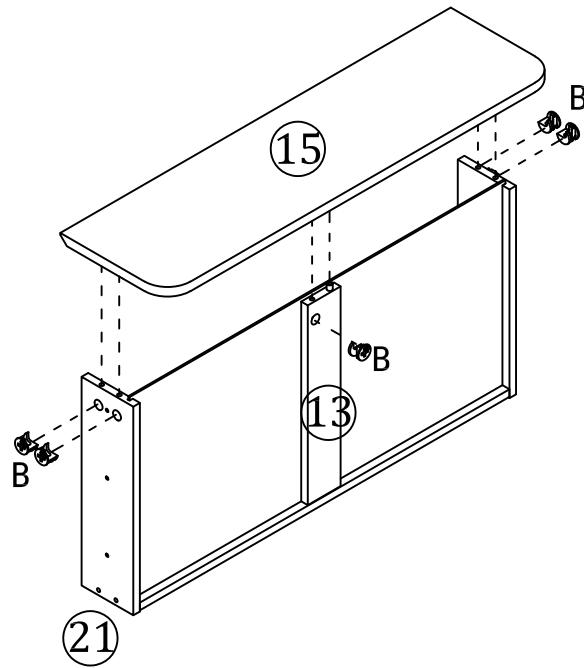
STEP 23



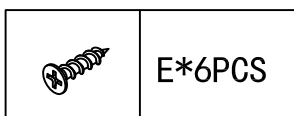
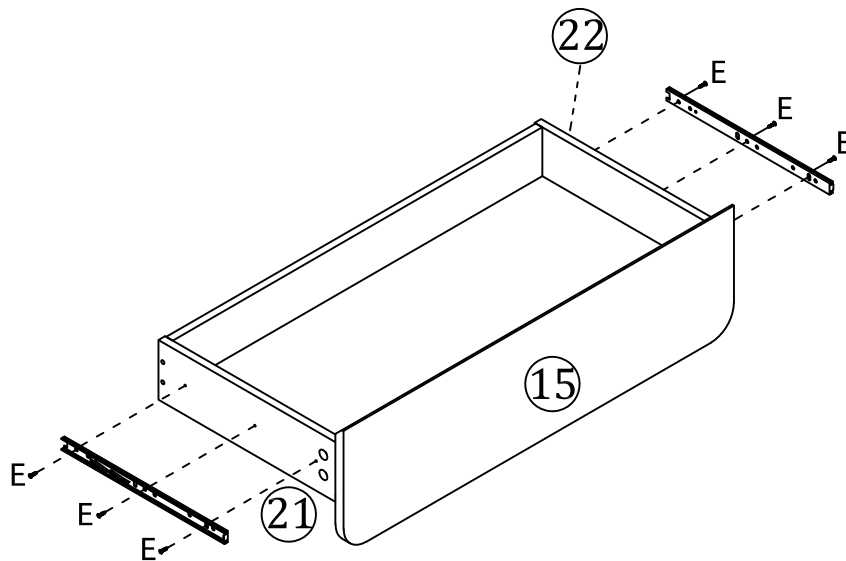
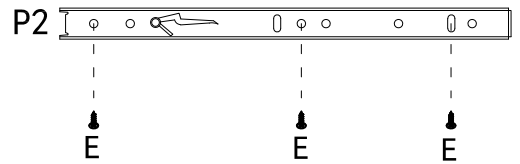
STEP 24



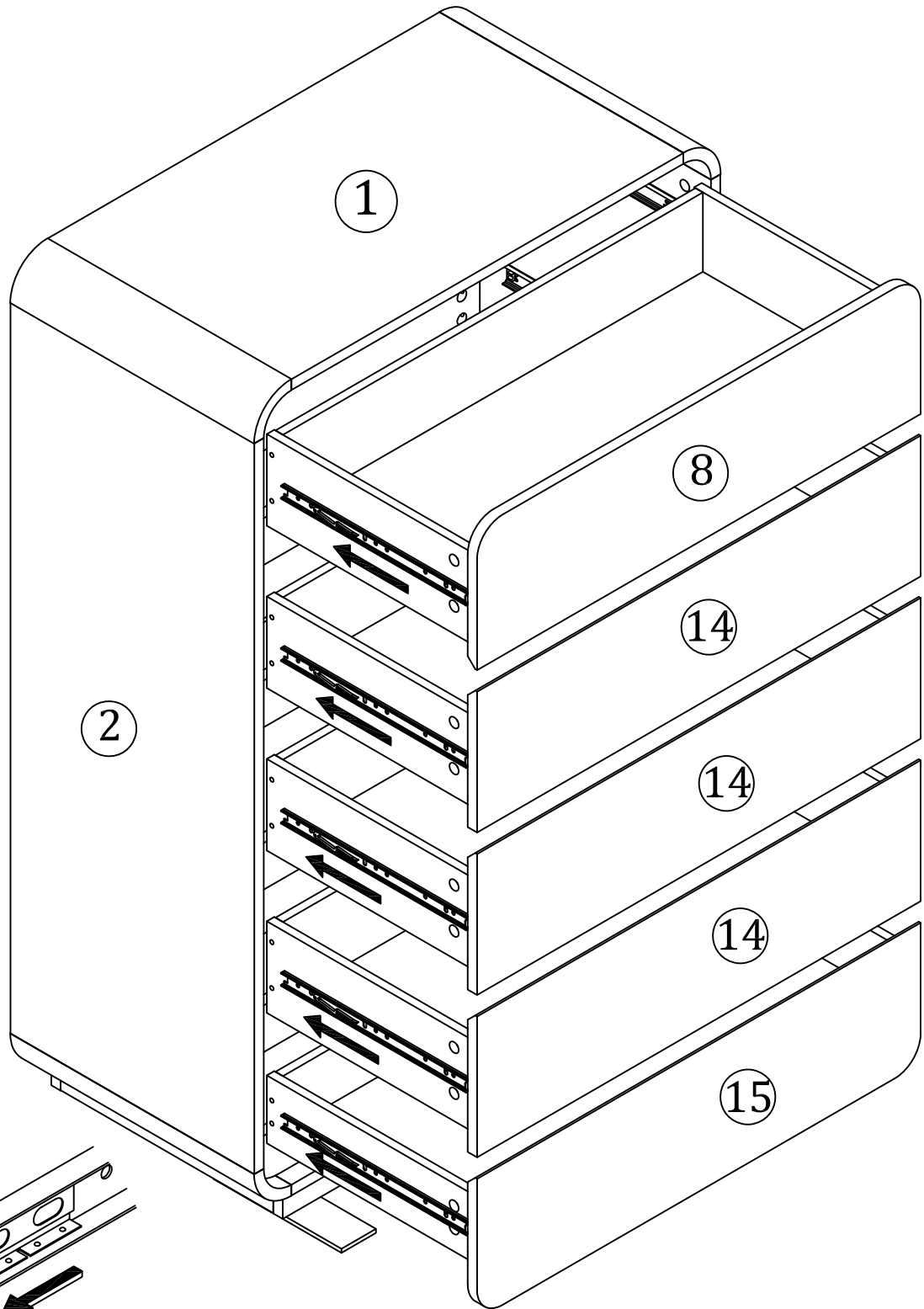
STEP 25



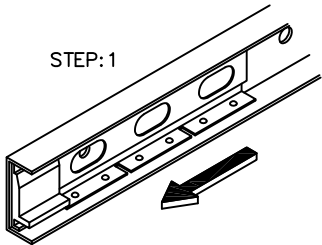
STEP 26



STEP 27



STEP: 1



STEP: 2

