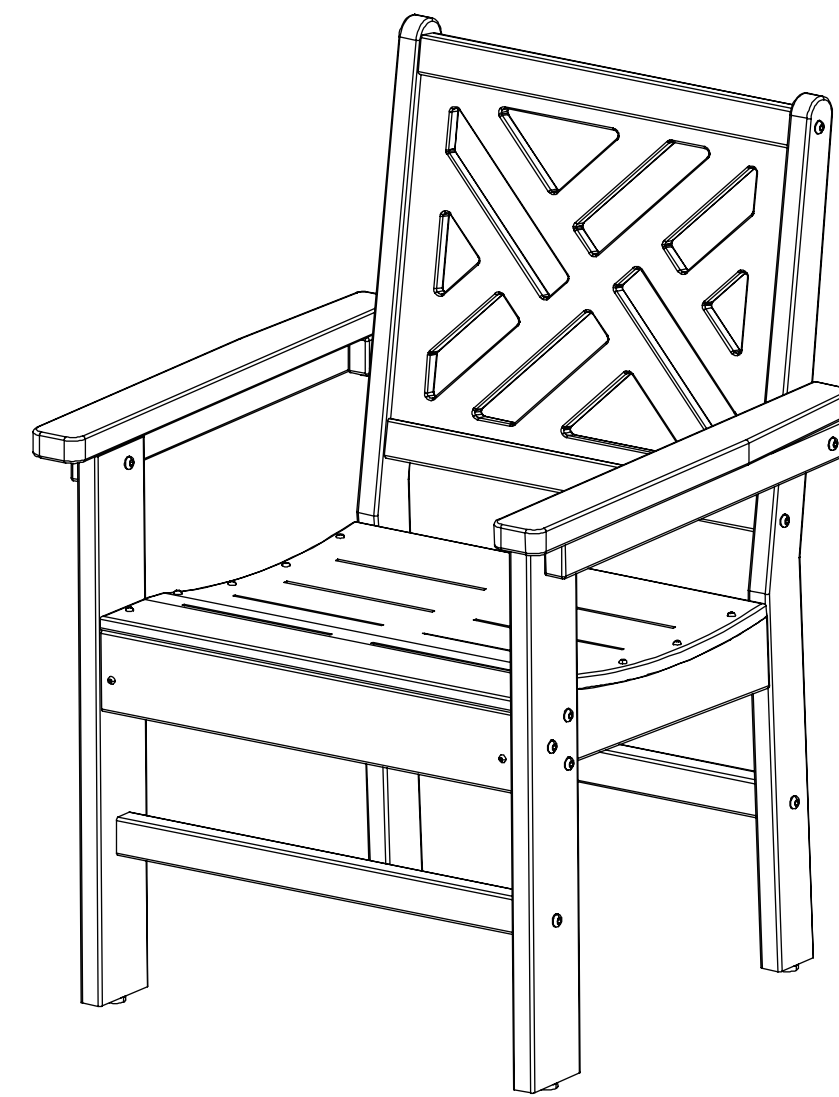


## ENDING

If you are not entirely satisfied with your purchase, please feel free to contact us.

You can also download the PDF Installation Manual from the Product guides and documents section of the advertising page.

# DINING CHAIR



## INSTALL MANUAL

8/8

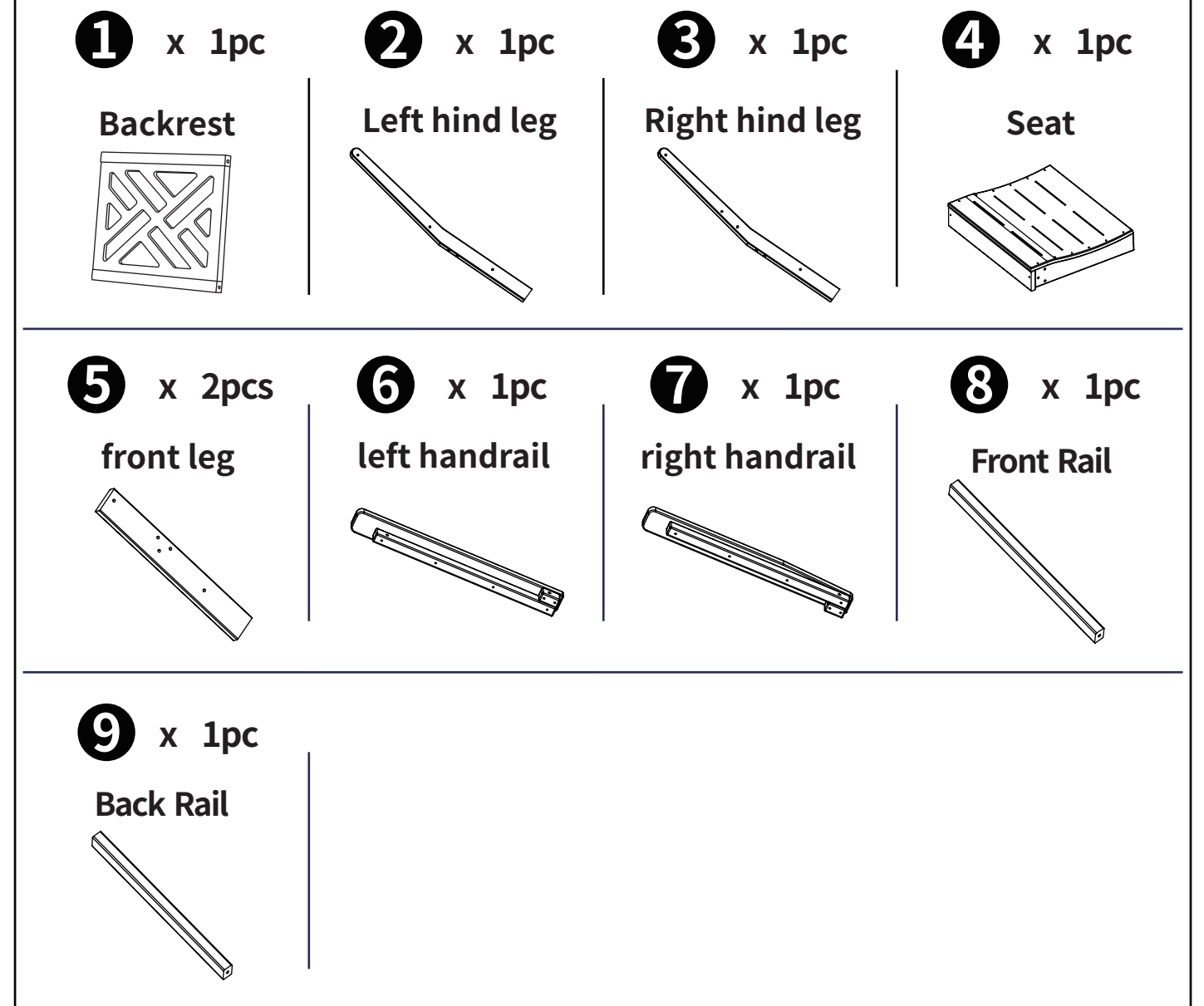
## IMPORTANT NOTICE

We recommend 1 or more people to install.

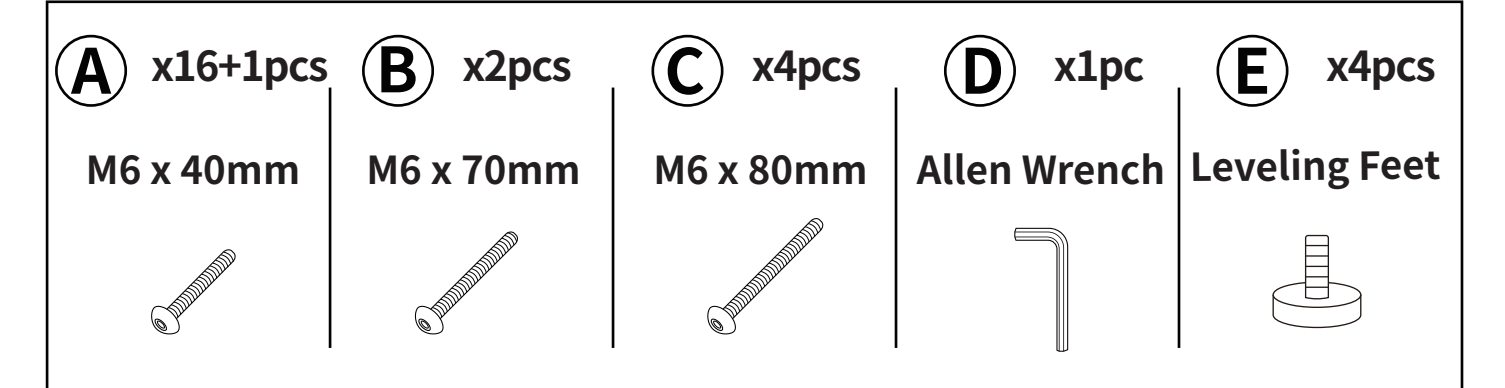
- CHOKING HAZARD -- Small parts. Not for children under 3 yrs.
- We recommend wearing protective gloves.
- Do not stand on or use any part of this item as a step ladder.
- Firmly secure all bolts, screws and knobs before use.
- Reconfirm that all bolts, screws, and knobs are secure every 90 days.
- Fasten screws loosely during initial assembly. Do not firmly tighten the screws until the item is completely assembled.
- Keep away from fire or other heat sources.
- Be aware that some parts are heavy and have sharp edges.
- Please follow the instruction manuals and use a pad to avoid damage during assembly

2/8

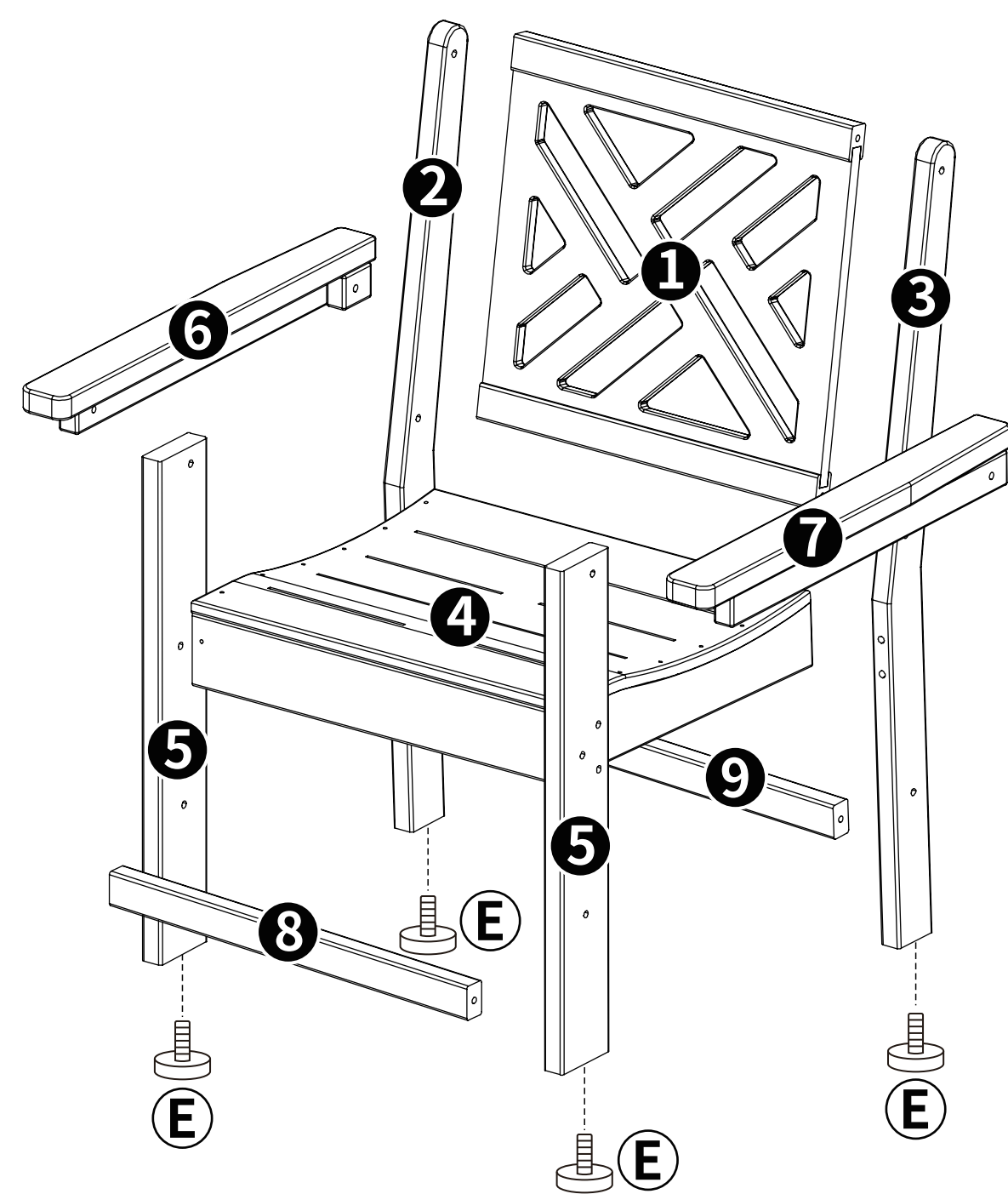
## PARTS LIST



## HARDWARE LIST



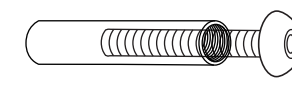
3/8



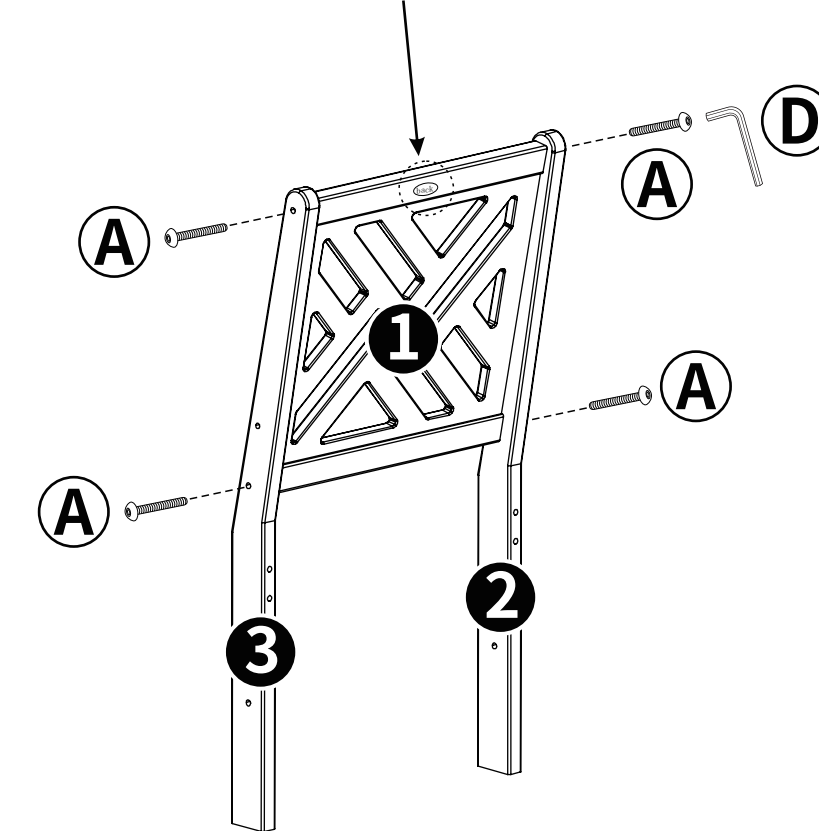
### STEP 1

A → x4  
D ↷ x1

Tighten the screws to 80%, not fully.



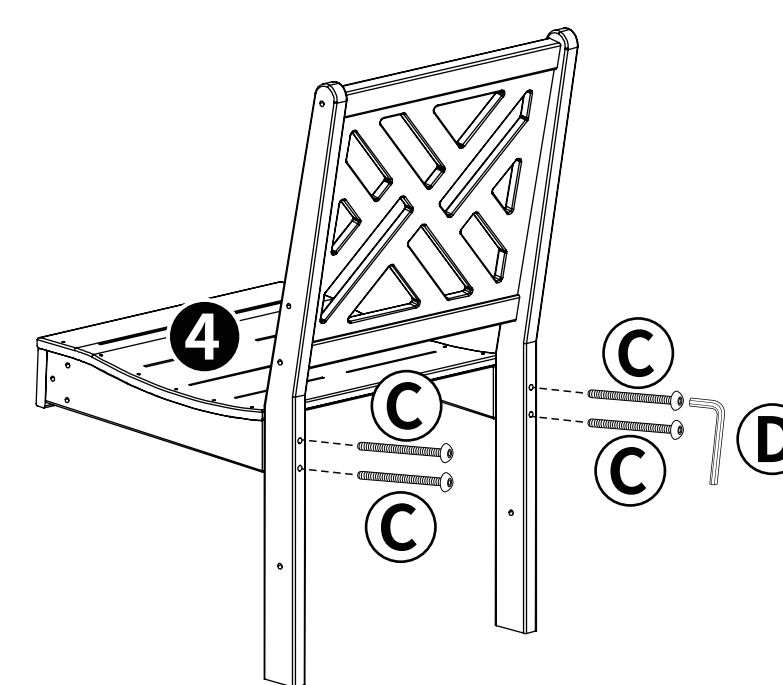
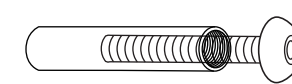
Note: The back of the label



### STEP 2

C → x4  
D ↷ x1

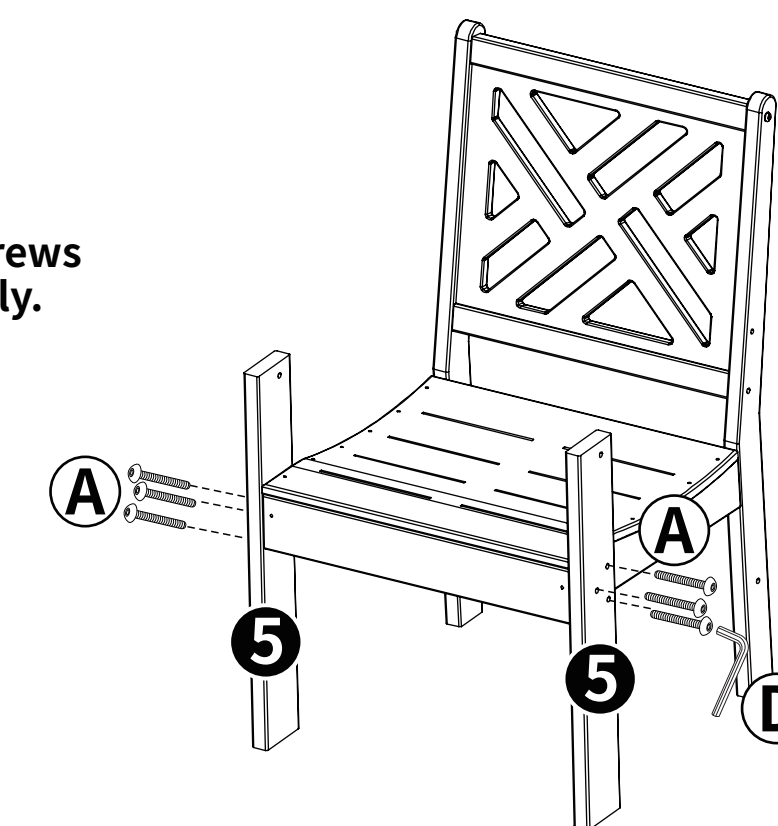
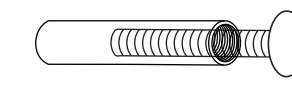
Tighten the screws to 80%, not fully.



### STEP 3

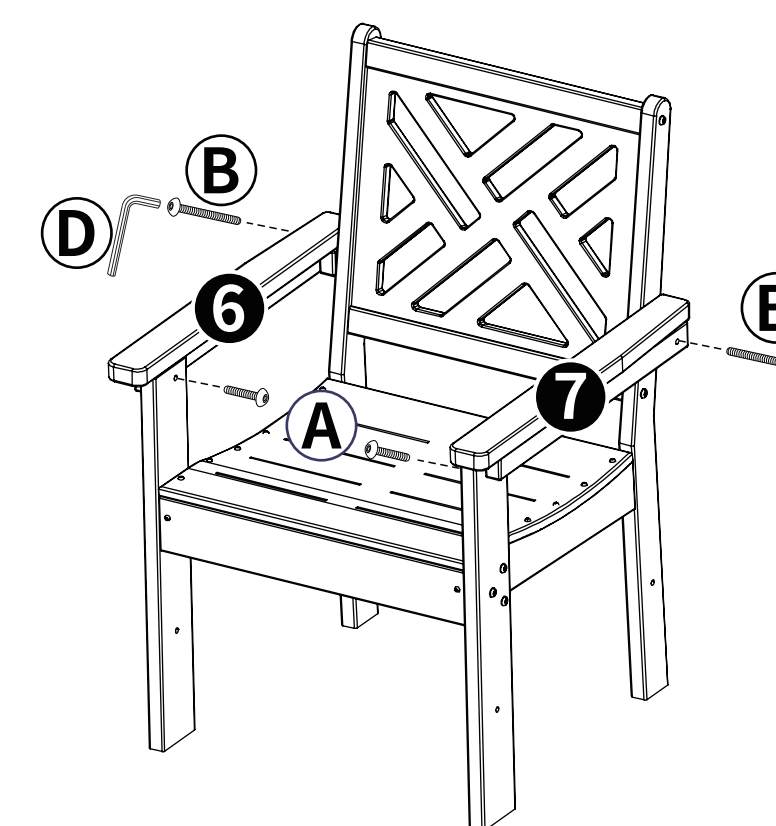
A → x6  
D ↷ x1

Tighten the screws to 80%, not fully.



### STEP 4

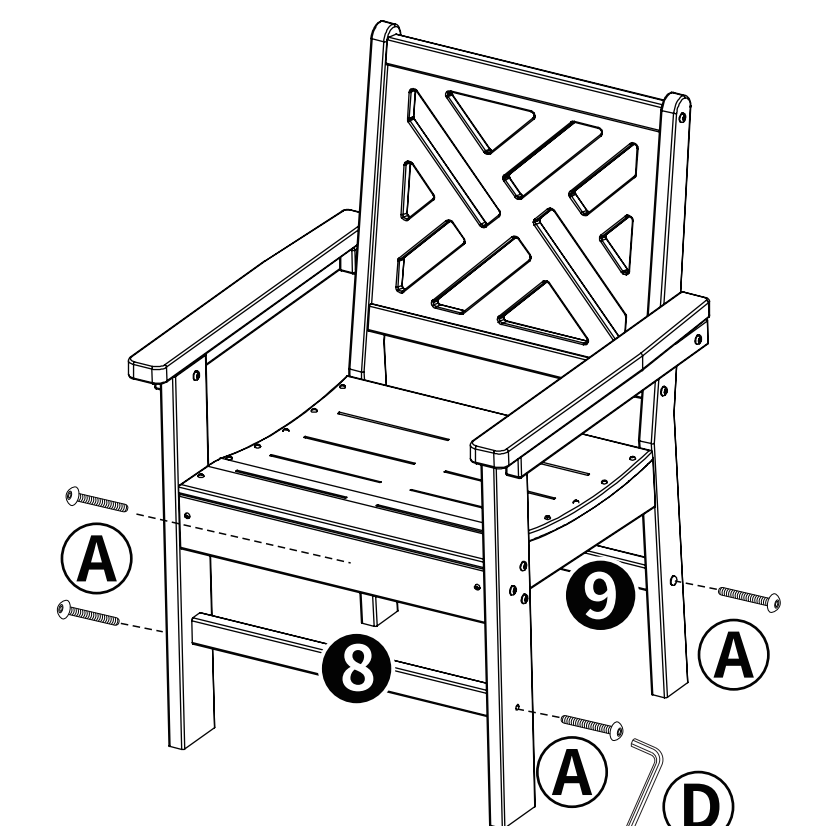
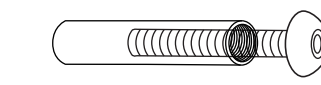
A → x2  
B → x2  
D ↷ x1



### STEP 5

A → x4  
D ↷ x1

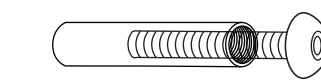
Tighten the screws to 80%, not fully.



### STEP 6

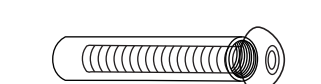
E ↱ x4

Tighten the screws to 80%, not fully.



### FINISHED

Tighten all screws fully in step 123456



7/8

6/8

5/8

4/8



Weather Resistant



350 LBS Load-bearing



Install Quickly