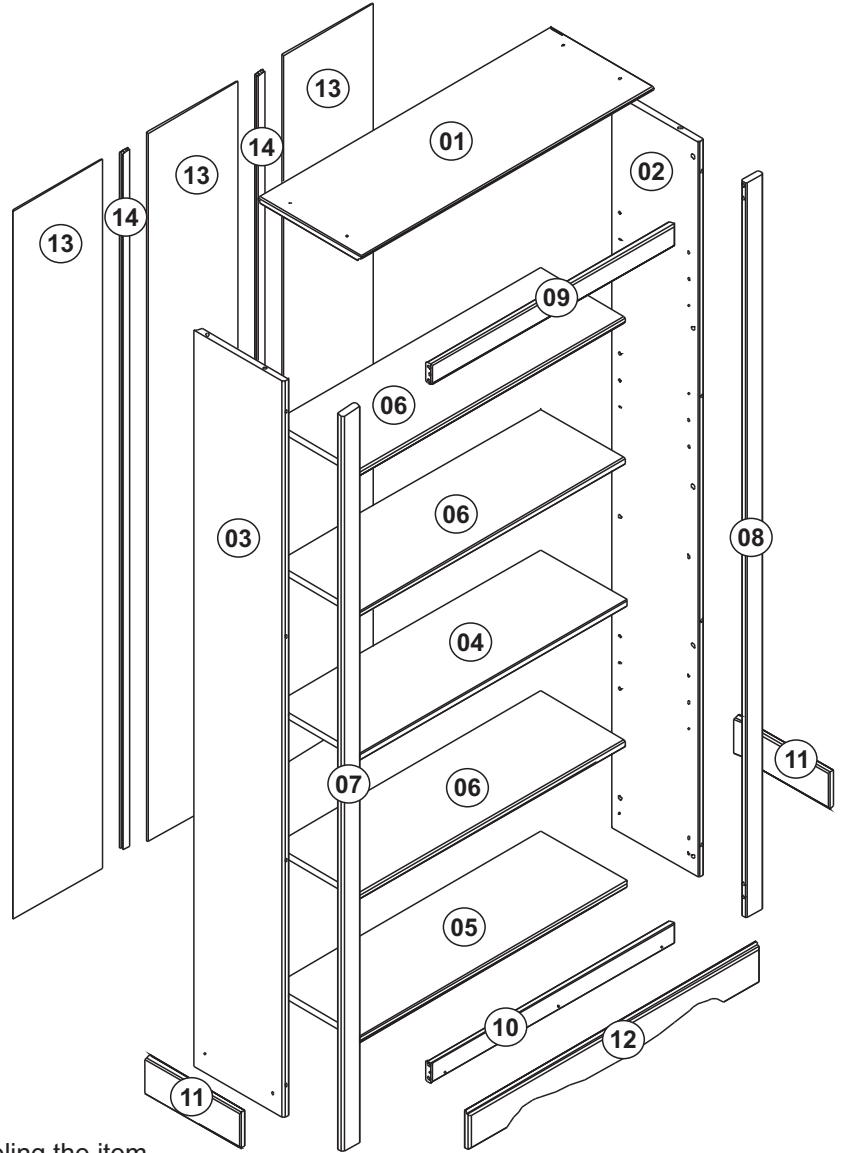
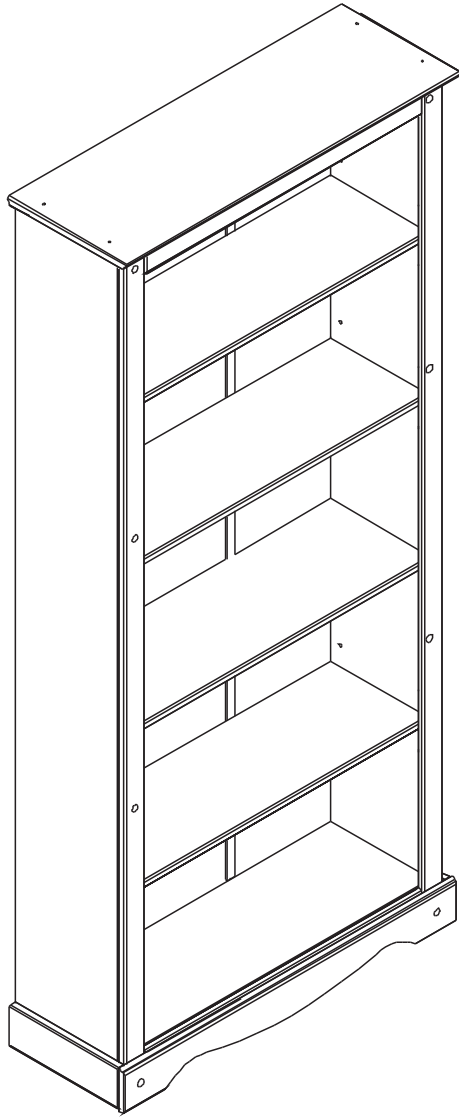
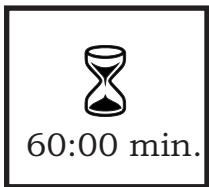
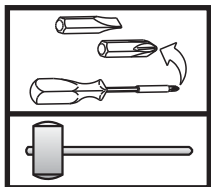
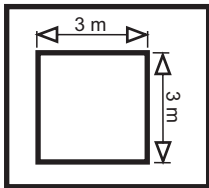
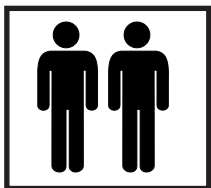








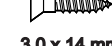
LARGE BOOKCASE



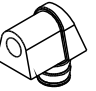

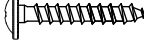
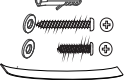


- Please check that all fittings are correct before assembling the item.
- Replacement parts can be supplied for any damages to the item.
- Please keep all packaging until the item is assembled as we will require information from this if replacement parts are required.

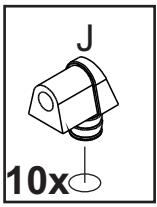
Width = 82cm
 Depth = 290cm
 Height = 180cm



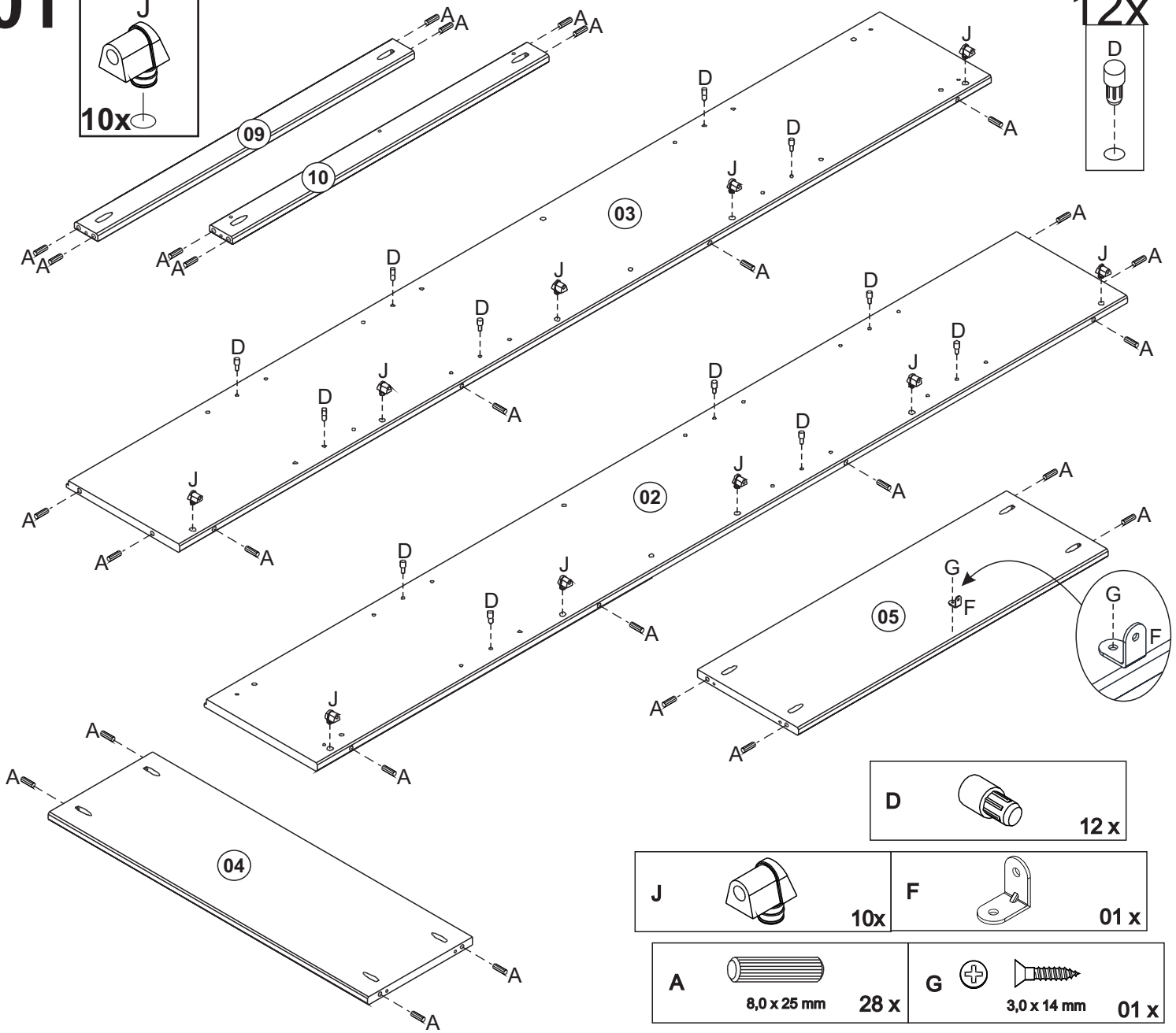
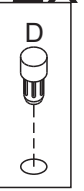
| | | | |
|---|--|-------------|------|
| A |  | 8,0 x 25 mm | 28 x |
| B |  | 3,5 x 30 mm | 08 x |
| C |  | 4,0 x 40 mm | 04 x |
| D |  | | 12 x |
| E |  | | 08 x |
| F |  | | 07 x |
| G |  | 3,0 x 14 mm | 14 x |

| | | | |
|---|---|-------------|------|
| H |  | 8 x 8 | 38 x |
| I |  | 4,0 x 25 mm | 10 x |
| J |  | | 10x |
| K |  | 3,0 x 30 mm | 04 x |
| L |  | 4,0 x 30 mm | 07x |
| Y |  | | 01x |

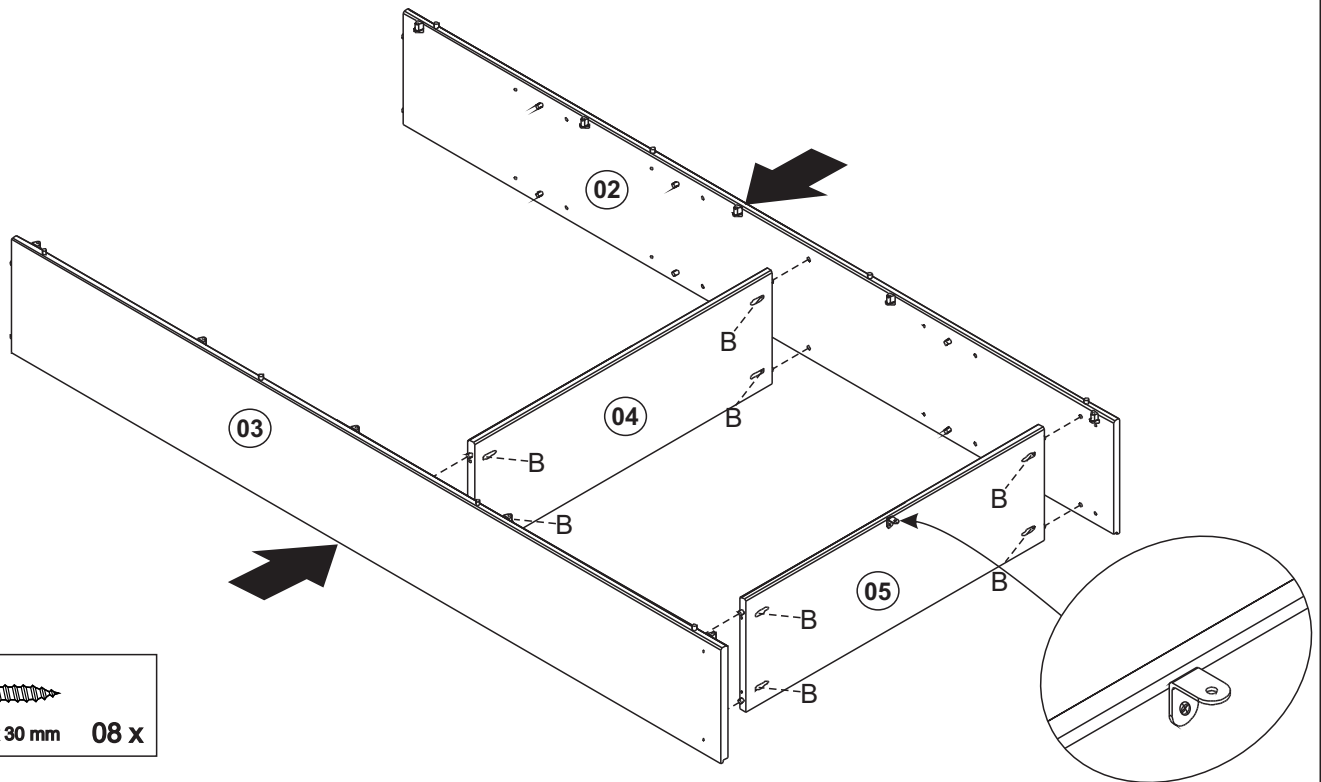
01



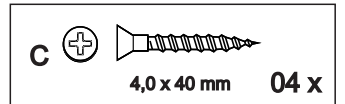
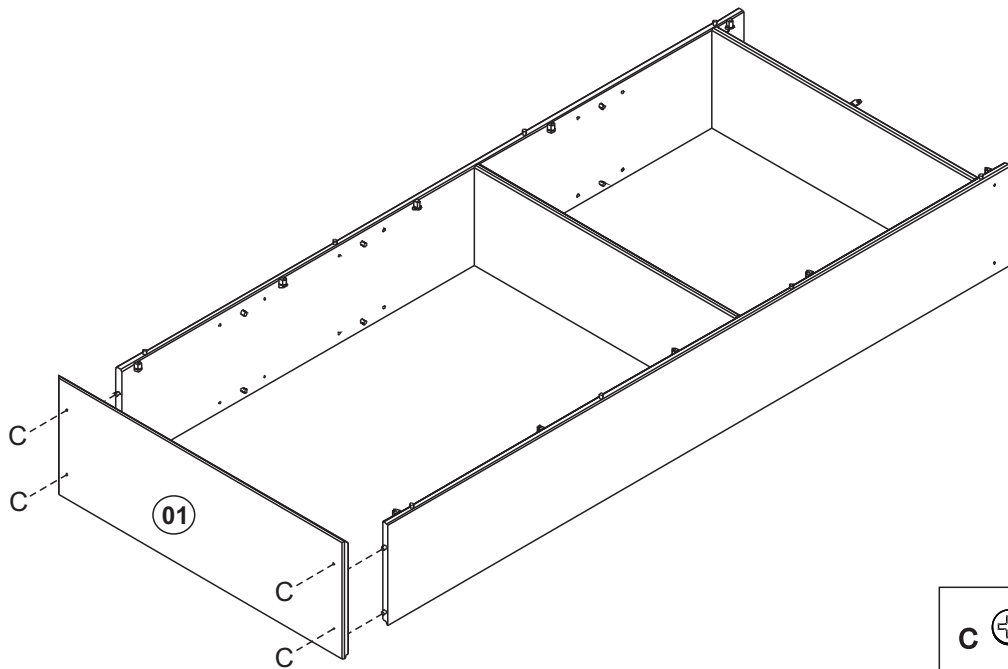
12x



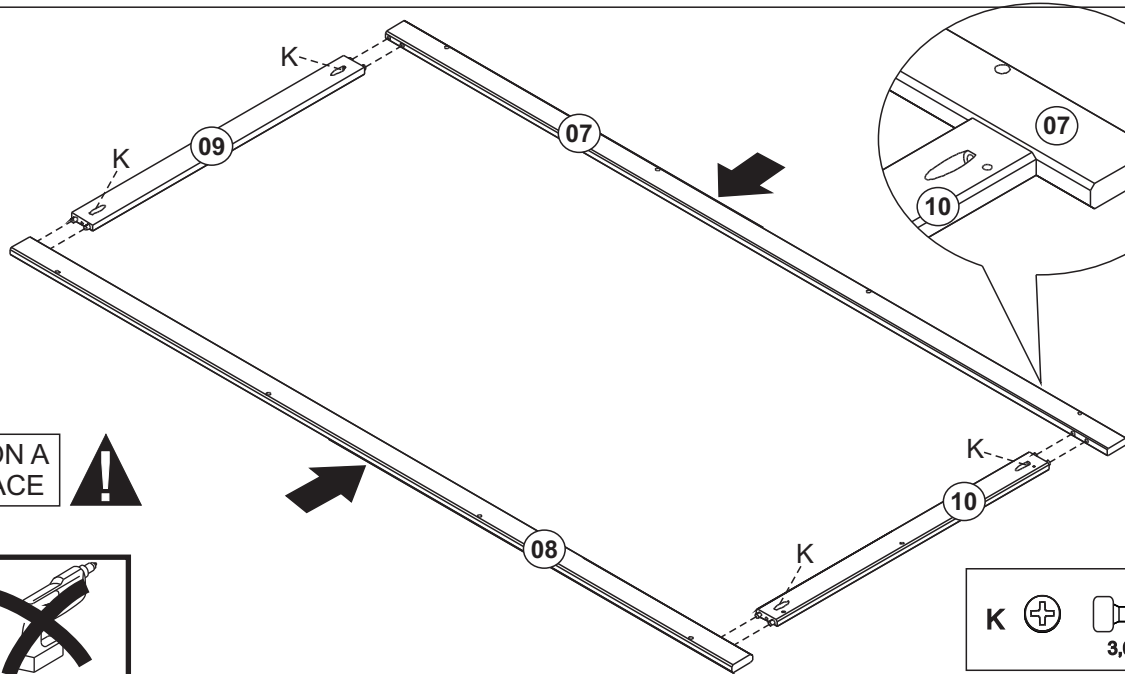
02



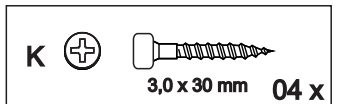
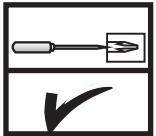
03



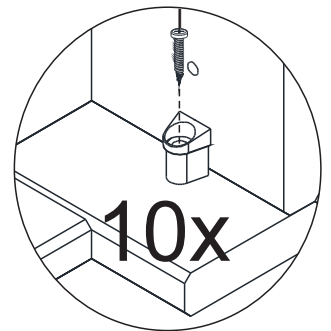
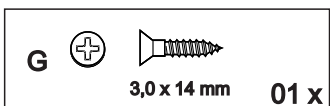
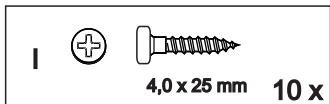
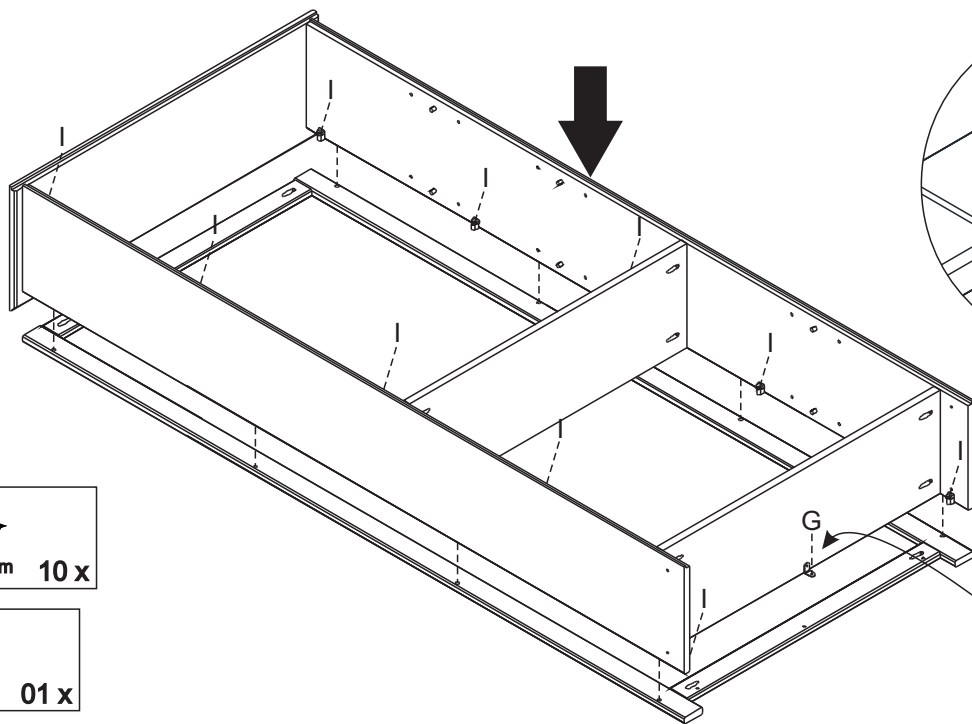
04



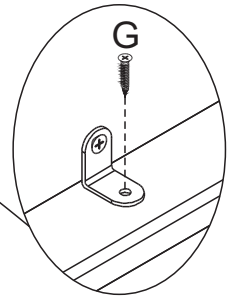
ASSEMBLE ON A PLAIN SURFACE



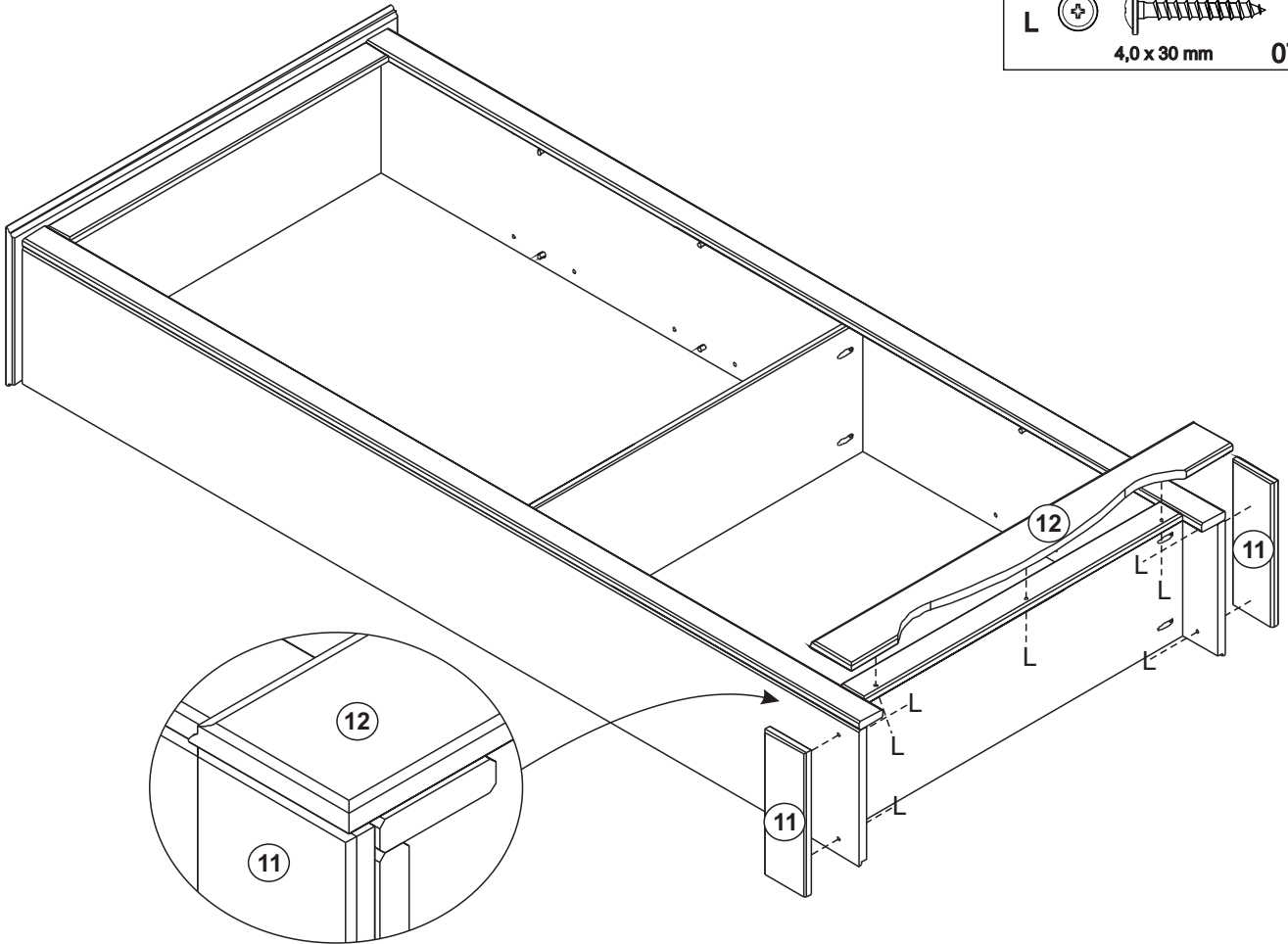
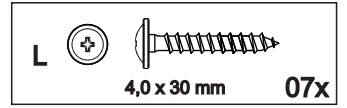
05



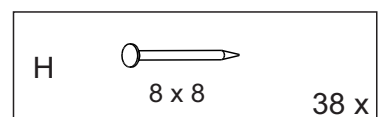
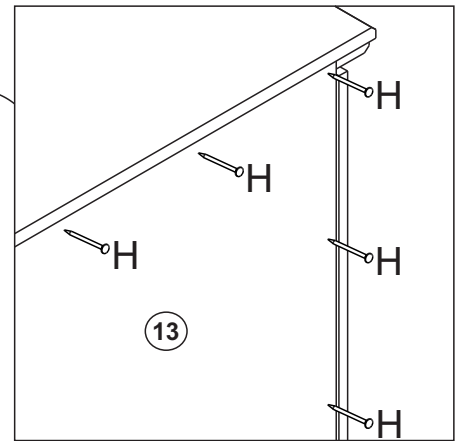
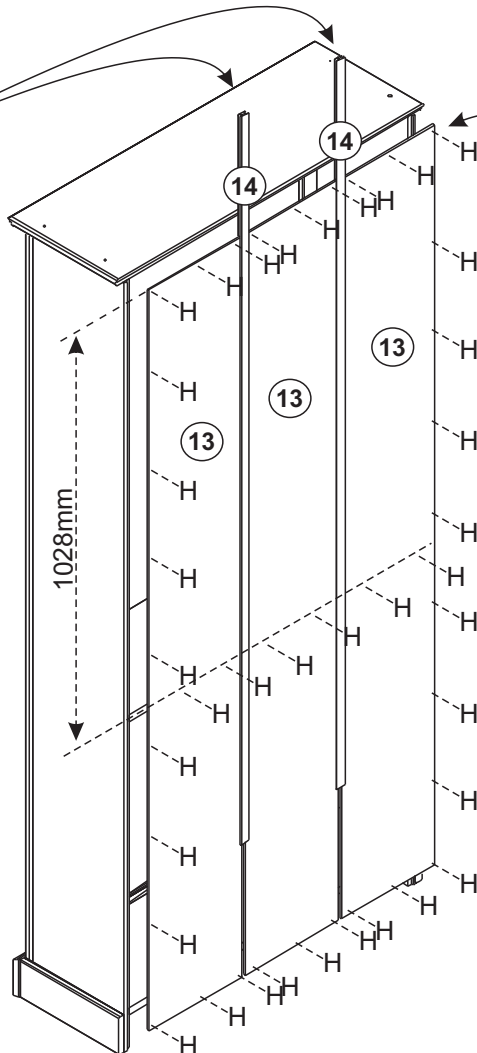
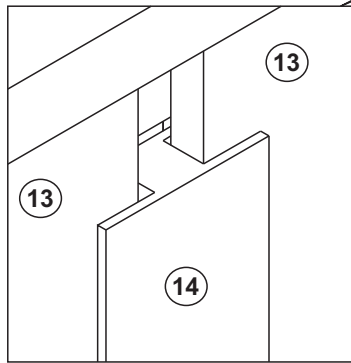
10x



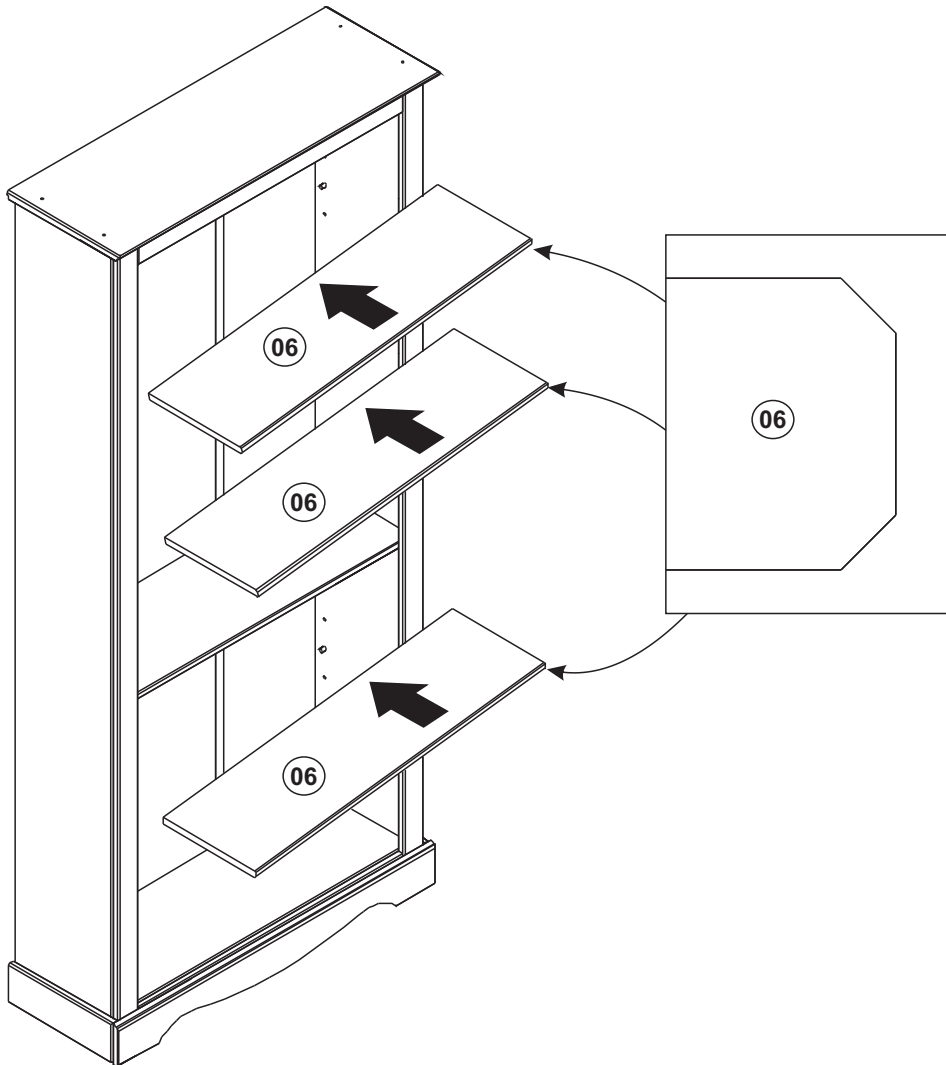
06



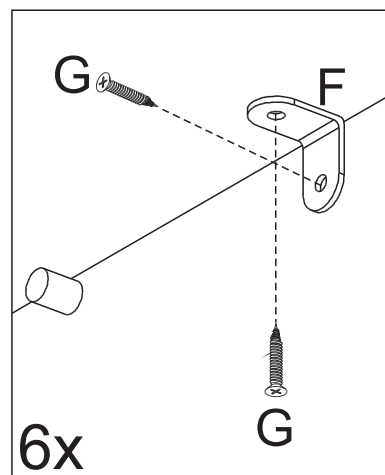
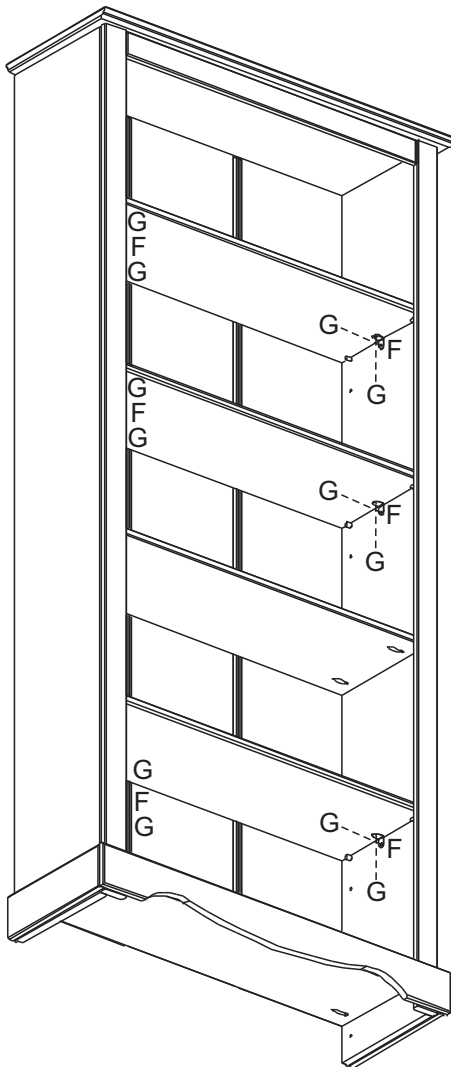
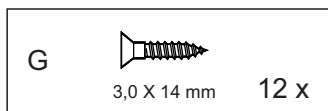
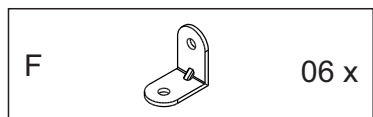
07



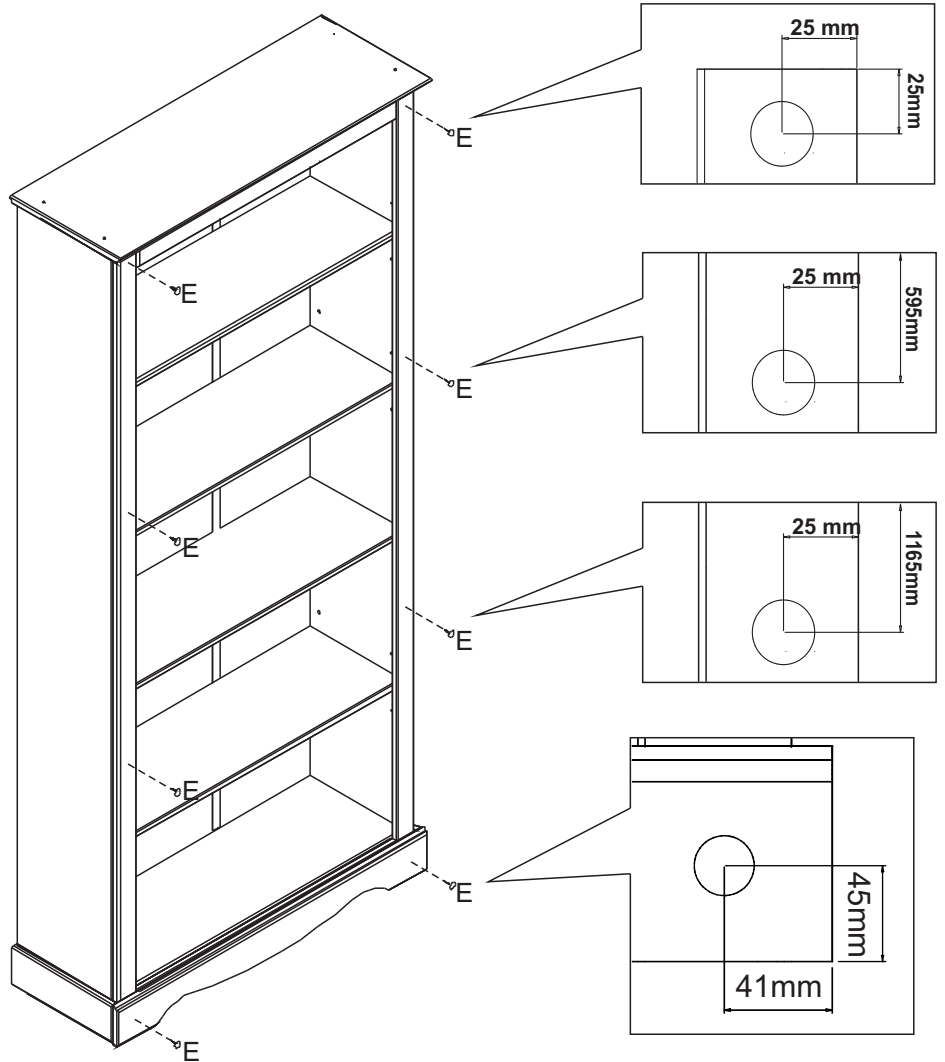
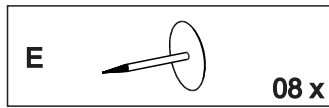
08



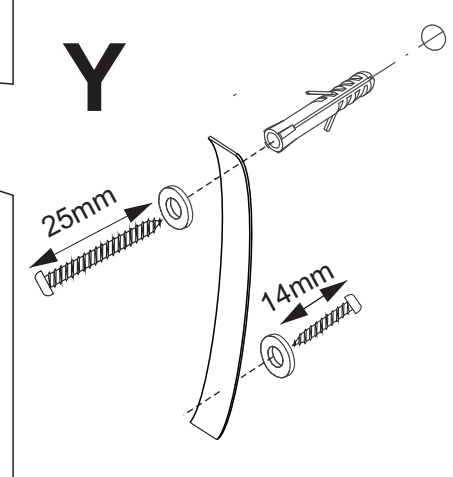
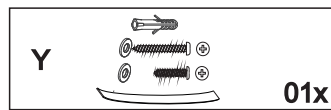
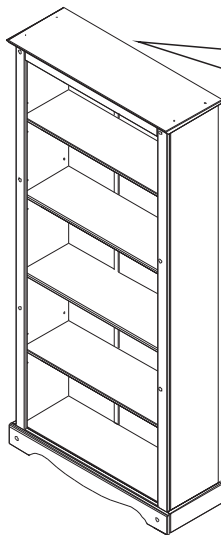
09



10



11



WARNING: CHECK FOR HIDDEN PIPES AND CABLES BEFORE DRILLING.

IMPORTANT: IF YOUR WALLS ARE NOT SOLID LIKE BRICK OR STONE, IT WILL REQUIRE SPECIAL FITTINGS (NOT SUPPLIED).

- Place the fixing strip against the wall and mark the position for drilling hole.
- Drill a hole in the wall to a depth of 30mm by using a 6mm drill bit. If the surface of your wall is soft and crumbly, we would advise you to use a 5mm drill bit for a tighter fit.
- Insert the wall plug into the hole with end flush to the wall surface.
- Attach fixing strip to the wall using the 25mm screw + washer and securely tighten.
- Pre-drill small pilot hole on the back edge of the furniture top using a 2mm drill bit. Attach the other end fixing strip to the back edge of the furniture top using the 14mm screw + washer and securely tighten.