

Parts List

- 1 Base Strip
- 1 Neck Strip
- 2 Decorative Scrolls
- 1 Lower Cross Rail
- 1 Upper Cross Rail
- 8 Spiral Anchors with Screws

Required Tools

- Phillips head screw driver
- Level
- Pencil
- Tape Measure

1. Mark the hole locations for the first strip

strip – Hold either the neck or base strip of the rack in place against the wall a minimum of 2-1/4 inches away from any corners or protrusions. Ensure that the rack is vertical using a level and mark the 4 hole locations with a pencil and set the strip aside.

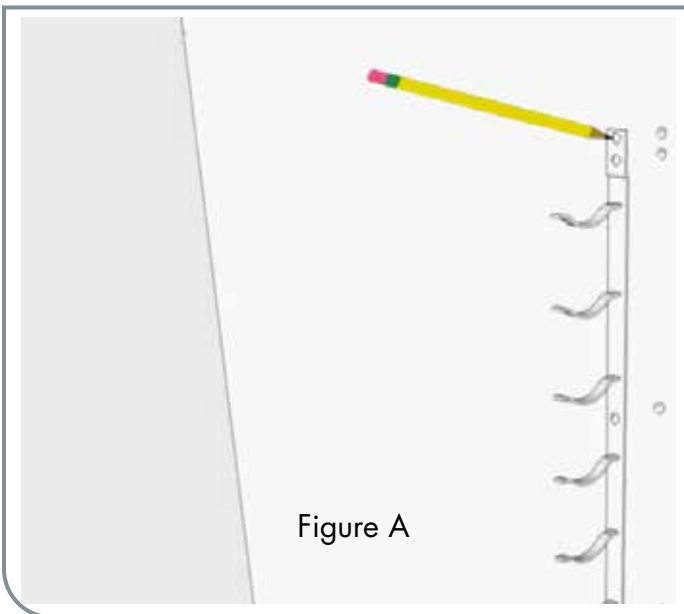


Figure A

2. Mark the hole locations for the second strip

strip – Using the Upper Cross Rail as a guide, align a mounting hole with one of the 4 marked hole locations from Step 1 and, using a level, make sure that the Cross Rail is level at each position. Mark the hole location for the second strip at the opposite end of the Cross Rail

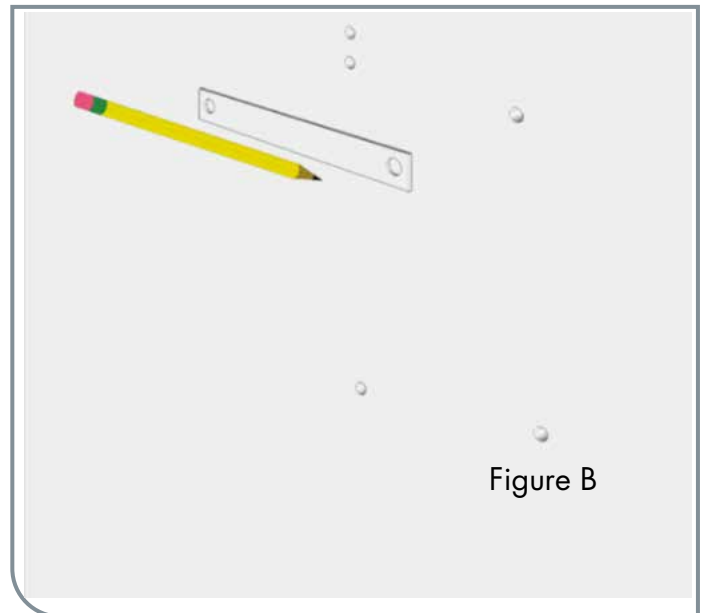


Figure B

3a. Install the anchors and secure the

rack – Using a Phillips Head Screw Driver, screw the 8 spiral anchors into the wall at the marked hole locations. Place the Upper Cross Rail (the flat one) behind the Base Strip, and align the mounting hole on the Upper Cross Rail with the SECOND hole from the top on the Base Strip. Fasten the Upper Cross Rail and Base Strip to the wall, making sure to screw it into the SECOND anchor from the top. With the top of the rack secured, position the Lower Cross Rail (the one with the slight bend at both ends) even with the bottom of the rack and secure it in place with a screw.

3b. Carefully, slide the Neck Strip in place, over the Upper Cross Rail and behind the Lower Cross Rail then secure in place with 3 screws, as shown.

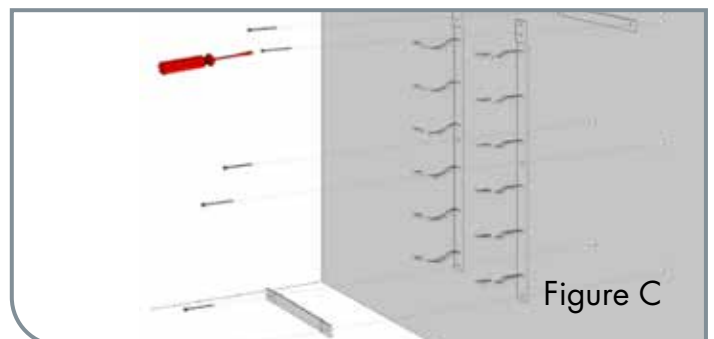


Figure C

Instructions

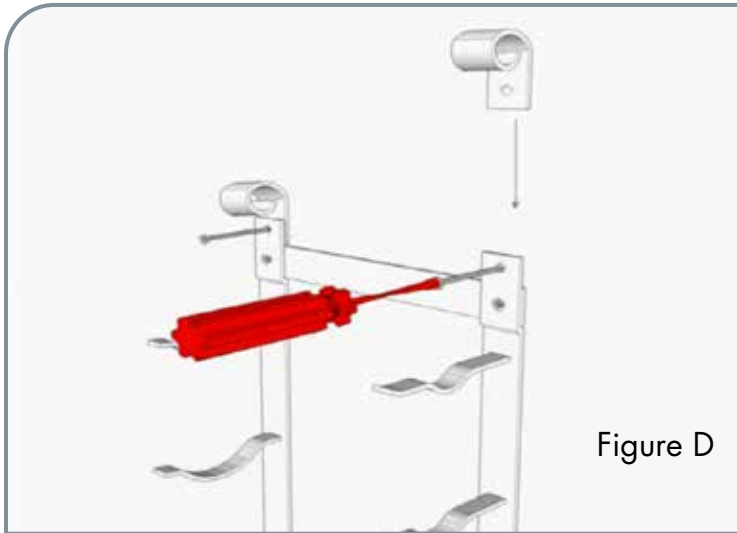
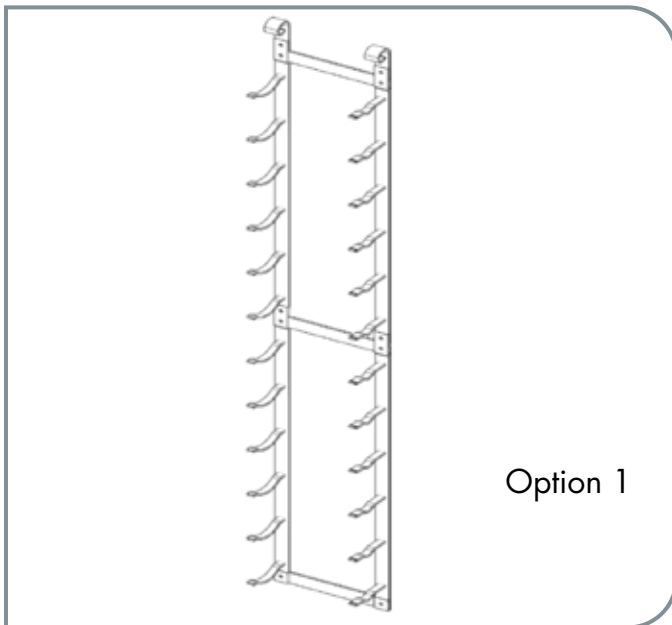


Figure D

4. Install the decorative scrolls - *Note: If stacking more than one rack, refer to Option 1 on the reverse of this page.* Slide a Decorative Scroll into place, at the top of the Base Strip and secure in place with a screw, as shown. (The Upper Cross rail screw may need to be loosened to perform this step so be sure to re-tighten the screw fully). Repeat the process with the second scroll on the Neck Strip.

5. Complete - You're done! Load with wine and enjoy!

Option 1 - If stacking multiple units, do not install the decorative scrolls in the lower units. Instead, slide the bottoms of the upper racks into the gap behind the top of the lower rack. For the upper units, the Lower Cross Rail is not used and may be discarded.



Option 1

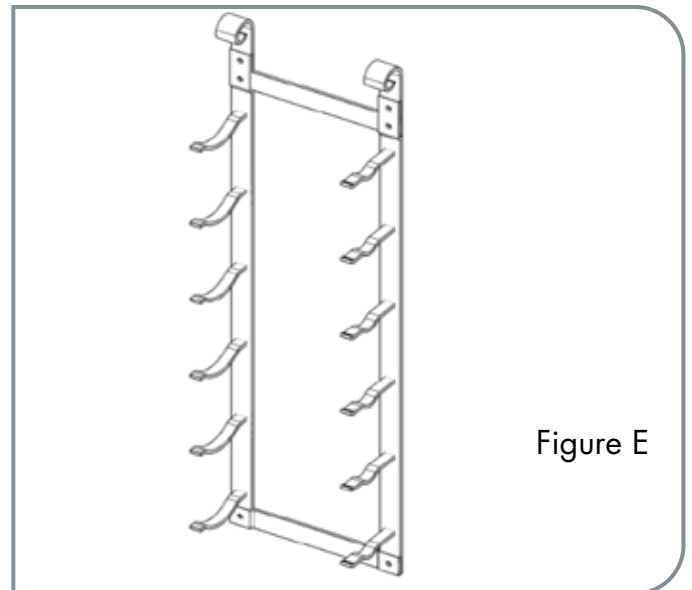


Figure E

Maintenance and Care - The racks should be regularly inspected for secure wall attachment. Should any fastener be found to be loose, tighten it appropriately. If the wall surface shows any signs of breakage, discontinue use immediately until such time as the wall may be adequately repaired. The racks may be cleaned with a damp cloth and mild dish soap – avoid vinegar, harsh chemicals such as bleach or degreasing agents, abrasive cleaners, abrasive pads or steel wool.