

Deck Chair



INSTRUCTION MANUAL

ASSEMBLY INSTRUCTIONS:

·Our clear, easy-to-follow, step-by-step instructions will guide you through the project from start to finish.

·Do not skip any steps.It is of utmost importance to assemble all of the parts according to the directions.

Item identification: For ease of identification,all parts are labeled to correspond to the step number in which the part is used.

IMPORTANT:

·Read the following instructions carefully before using the chair.

·Caution: Some components are heavy and contain sharp edges.

·Do not overtighten screws (Insert all screws before tightening them).

·Firmly secure all bolts, screws, and nuts before use.

·Please do not exceed the weight limitations of this item.

·Check and retighten all bolts, screws, and nuts every 90 days.

CARE & SAFETY:

·Always use on firm, level ground.

·Keep all children and pets away from the assembly area. Supervise them during assembly.

·Position the assembled product at least 6 feet (2 m) from obstructions (e.g., fences, walls, overhanging branches, or power lines).

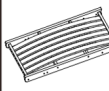
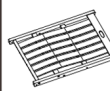






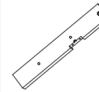
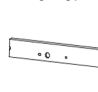

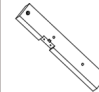
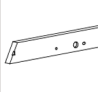


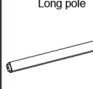
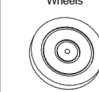
·Do not use or store near open flames or flammable/combustible materials.

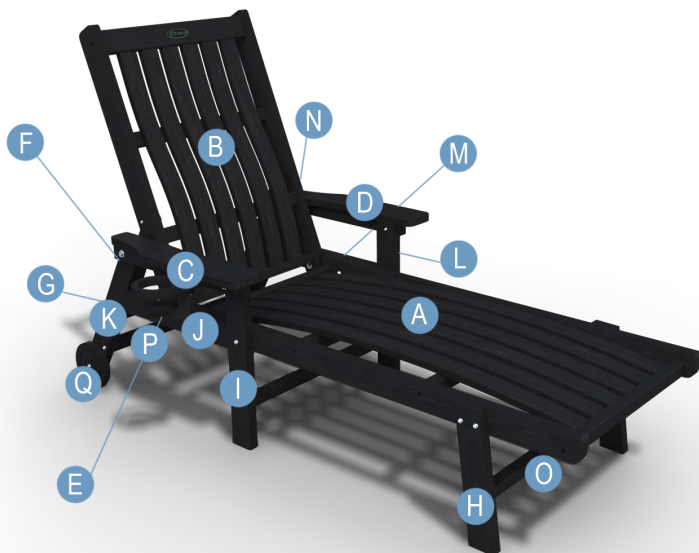
·If fire occurs, do not use water on burning polypropylene.

·Use caution when folding the chair to avoid pinching hands or fingers.











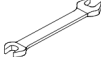

·Contact Customer Service for missing parts or assembly issues.

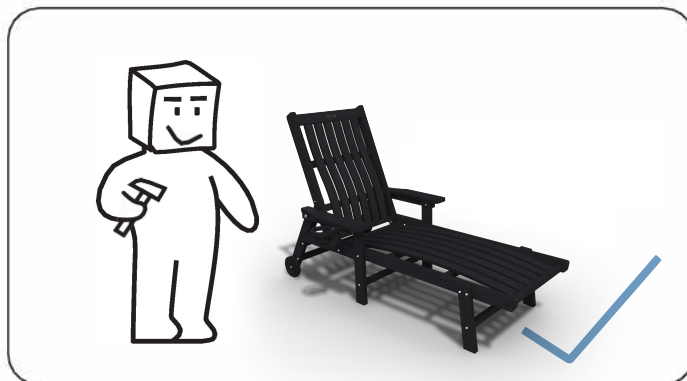
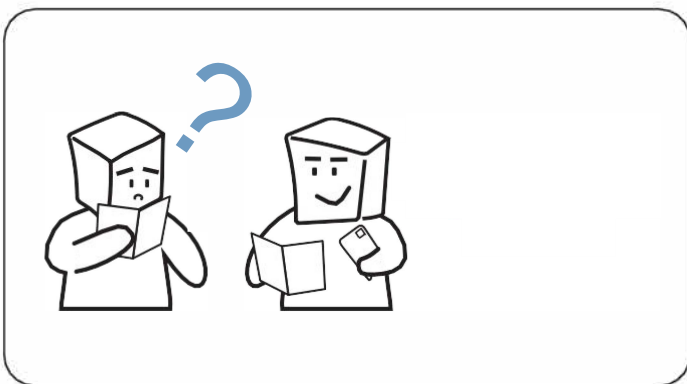
Parts List

<p>A</p> <p>Seat</p>  <p>1PC</p>	<p>B</p> <p>Backrest</p>  <p>1PC</p>	<p>C</p> <p>Right arm</p>  <p>1PC</p>	<p>D</p> <p>Left arm</p>  <p>1PC</p>	<p>E</p> <p>Cup holder</p>  <p>1PC</p>
<p>F</p> <p>Adjustment short pole</p>  <p>2PCS</p>	<p>G</p> <p>Adjustment long pole</p>  <p>1PC</p>	<p>H</p> <p>Front legs</p>  <p>2PCS</p>	<p>I</p> <p>Right middle leg</p>  <p>1PC</p>	<p>J</p> <p>Right leg pole</p>  <p>1PC</p>
<p>K</p> <p>Right hind leg</p>  <p>1PC</p>	<p>L</p> <p>Left middle leg</p>  <p>1PCS</p>	<p>M</p> <p>Left leg pole</p>  <p>1PC</p>	<p>N</p> <p>Left hind leg</p>  <p>1PC</p>	<p>O</p> <p>Short pole</p>  <p>2PCS</p>
<p>P</p> <p>Long pole</p>  <p>2PCS</p>	<p>Q</p> <p>Wheels</p>  <p>2PCS</p>			



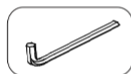
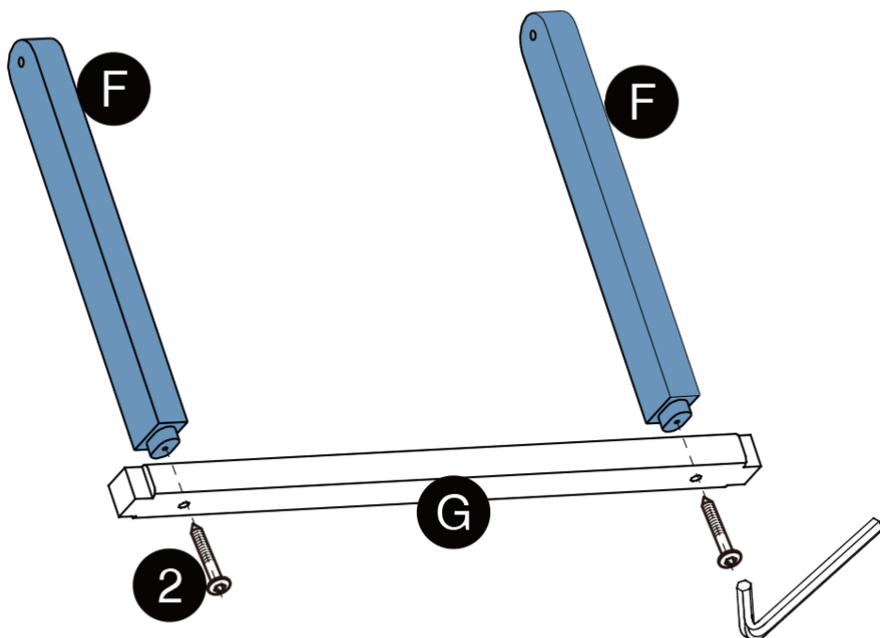
Hardware List

1 M6.3 x 40mm Screw  1PC	2 M6.3 x 60mm Screw  10PCS	3 M6.3 x 70mm Screw  8PCS	4 M6 x 55mm Bolt  6PCS
5 M6 x 60mm Bolt  10PCS	6 M8 x 60mm Bolt  2PCS	7 M8 Nut  2PCS	8 M8 Washer  2PCS
9 M6 Nut  16PCS	10 M6 Washer  16PCS	11 Wrench  1PC	12 Allen key  1PC



STEP 1

Secure part F(Adjustment short pole)to part G(Adjustment long pole),using hardware 2(M6.3x60 Screw).



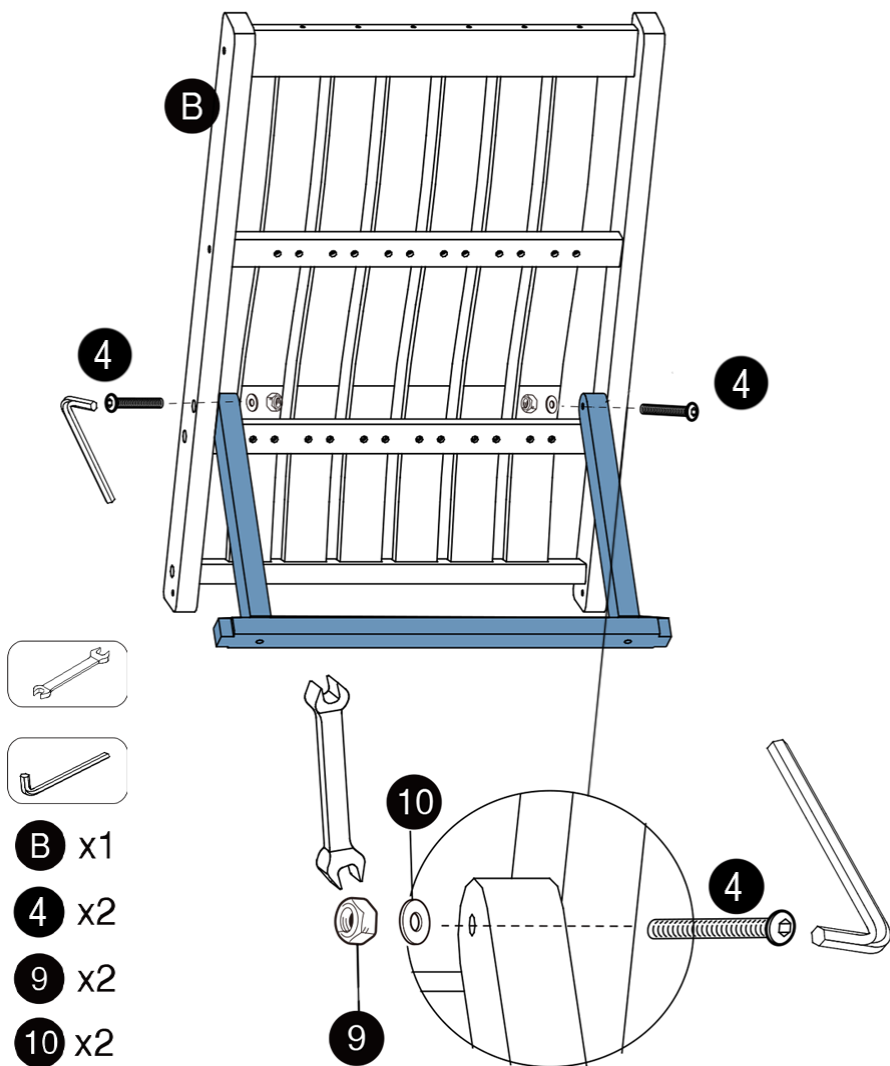
F x2

G x1

2 x2

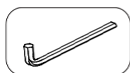
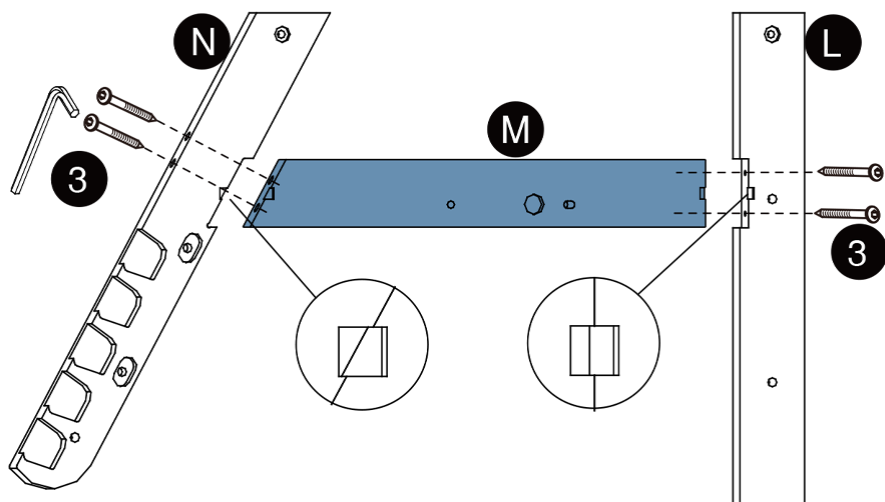
STEP 2

Secure part B(Backrest) to the finished part in step1,using hardware 4(M6x55mm Bolt),Hardware 10(M6 Washer)and hardware 9(M6 Nut).



STEP 3

Secure part N(Left hind leg)and part L(Left middle leg)to part M(Left leg pole),using hardware 3(M6.3x70 Screw).



L x1

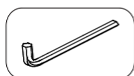
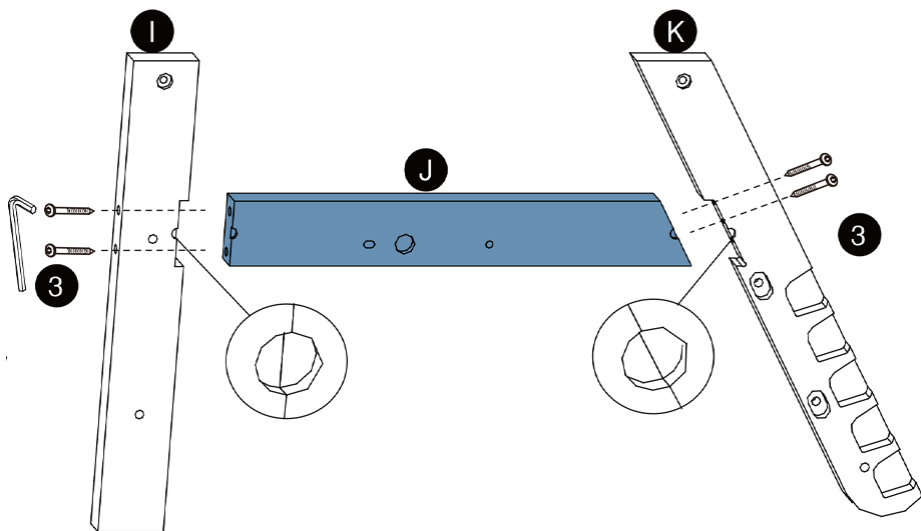
M x1

N x1

3 x4

STEP 4

Secure part I(Right middle leg)and part K(Right middle leg)to part J(Right leg pole),using hardware 3(M6.3x70 Screw).



I x1

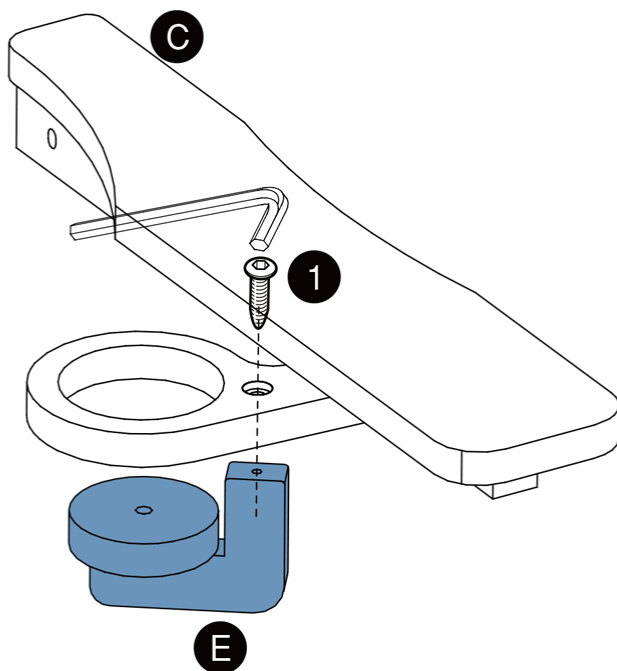
J x1

K x1

3 x4

STEP 5

Secure part E (Cup holder) to part C (Right arm), using hardware 1 (M6.3x40 Screw).



C x1

E x1

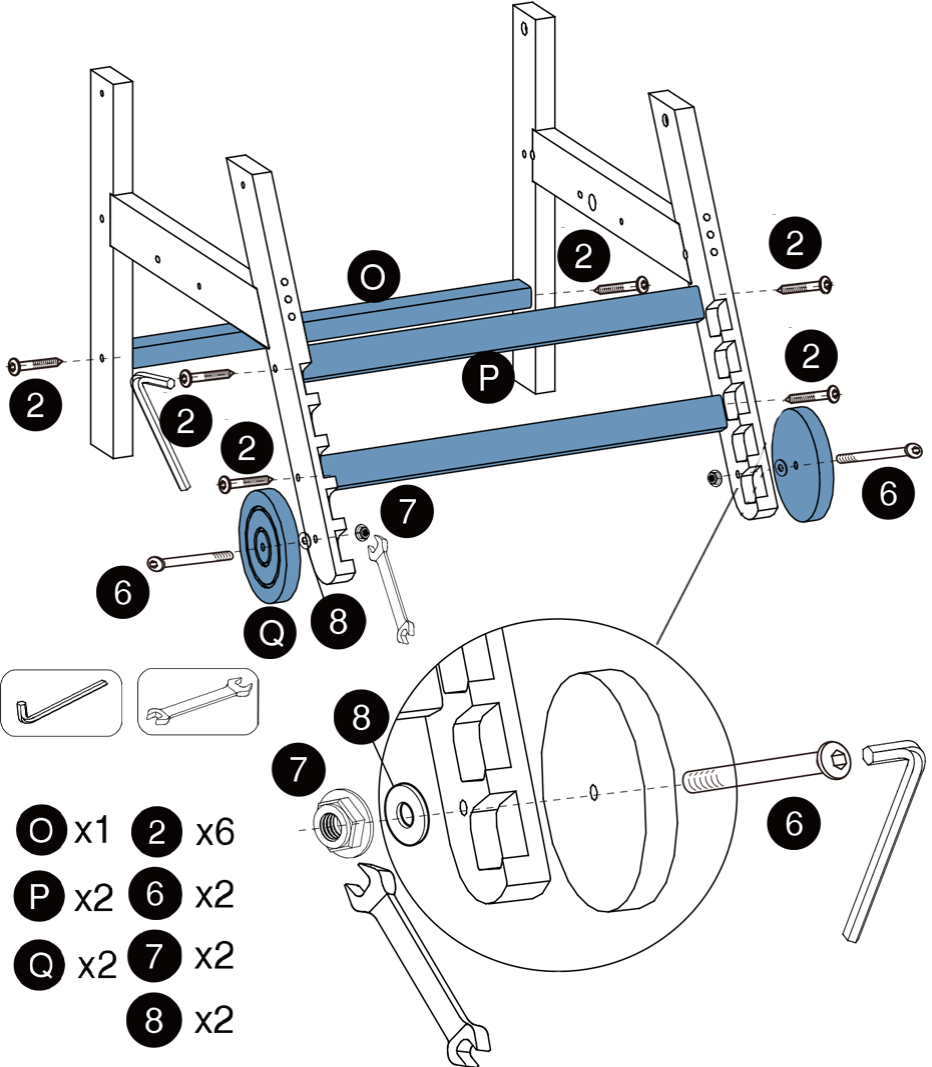
1 x1

STEP 6

Secure part P (Long pole) and part O (Short pole) to the finished part in step 4, using hardware 2 (M6.3x60 Screw).

Secure part Q (Wheels) to the finished part in step 4, using hardware 6 (M8x60mm Bolt), Hardware 8 (M8 Washer) and hardware 7 (M8 Nut).

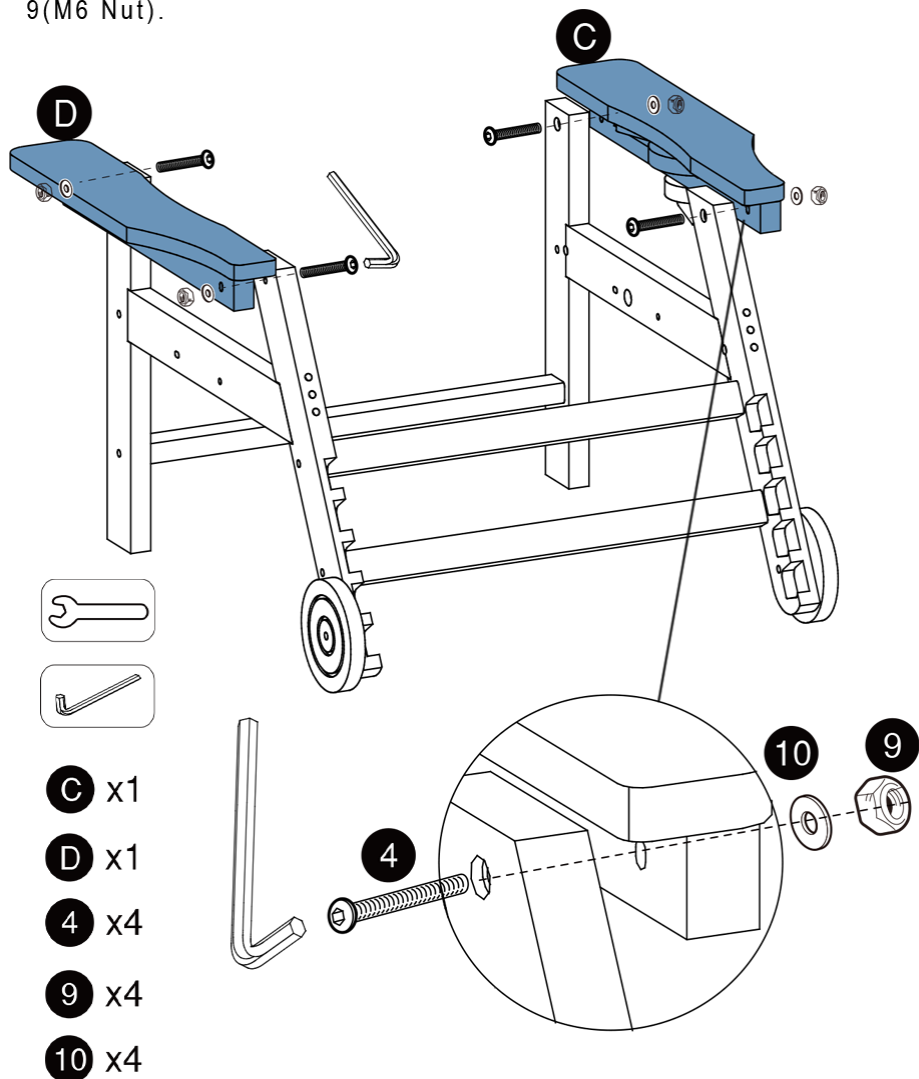
Repeat the same operation on the other side of the lounge chair.



STEP 7

Secure part C(Right arm) to the finished part in step4,using hardware 4(M6x55mm Bolt),Hardware 10(Washer)and hardware 9(M6 Nut).

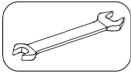
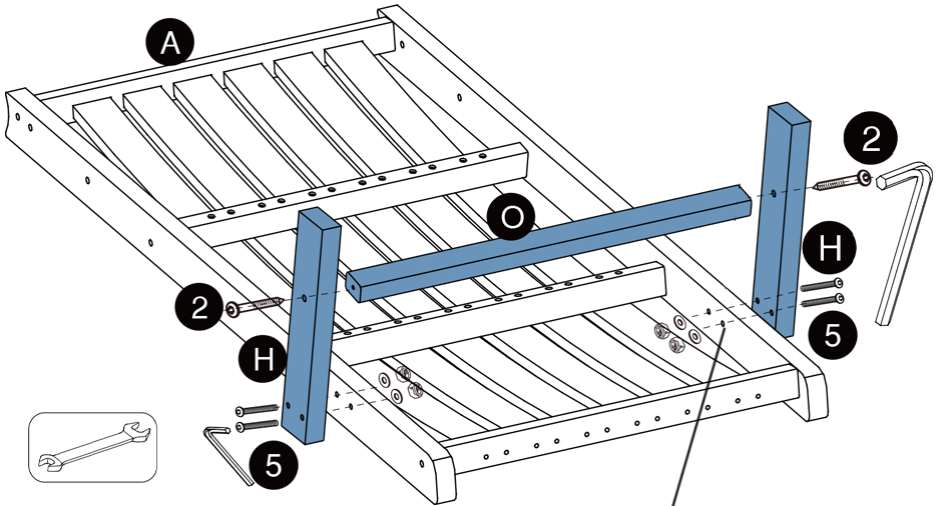
Secure part D(Left arm) to the finished part in step3,using hardware 4(M6x55mm Bolt),Hardware 10(Washer)and hardware 9(M6 Nut).



STEP 8

Secure part H(Front legs) to part A(Seat), using hardware 5(M6x60mm Bolt), Hardware 10(Washer) and hardware 9(M6 Nut). Secure part O(Short pole) to part H(Front legs), using hardware 2(M6.3x60 Screw).

Repeat the same operation on the other side of the lounge chair.



A x1

H x2

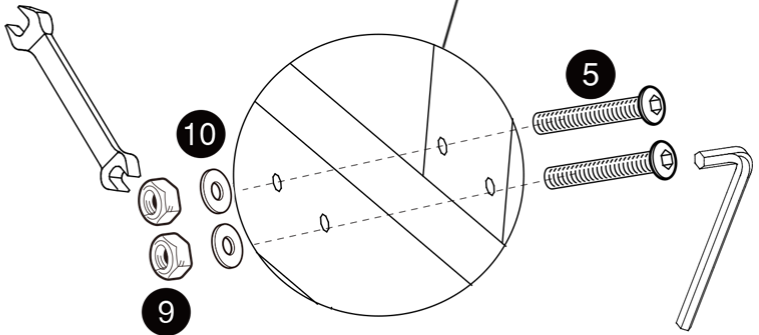
O x1

2 x2

5 x4

9 x4

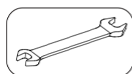
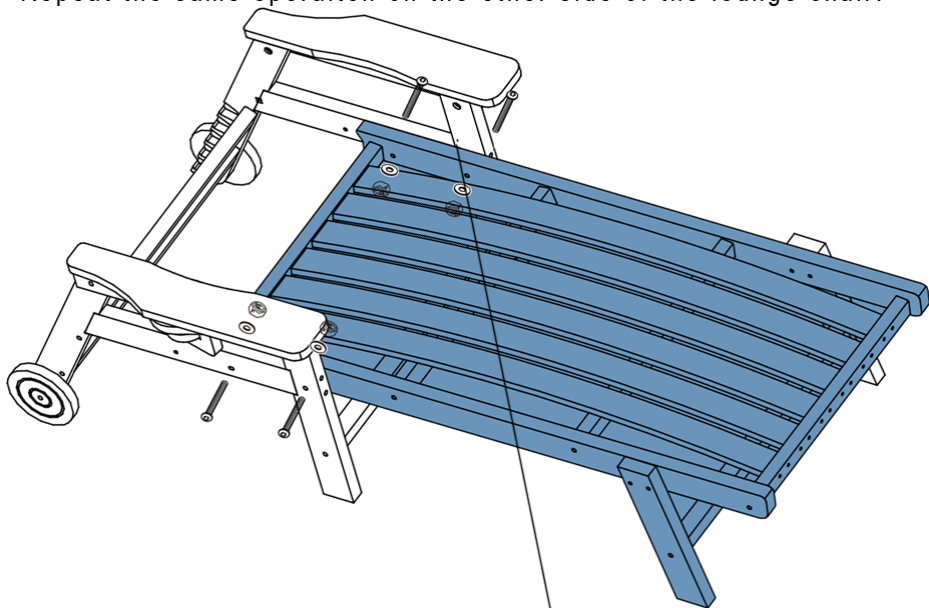
10 x4



STEP 9

Secure finished part in step8 to the finished part in step7, using hardware 5(M6x60mm Bolt), Hardware 10(Washer) and hardware 9(M6 Nut).

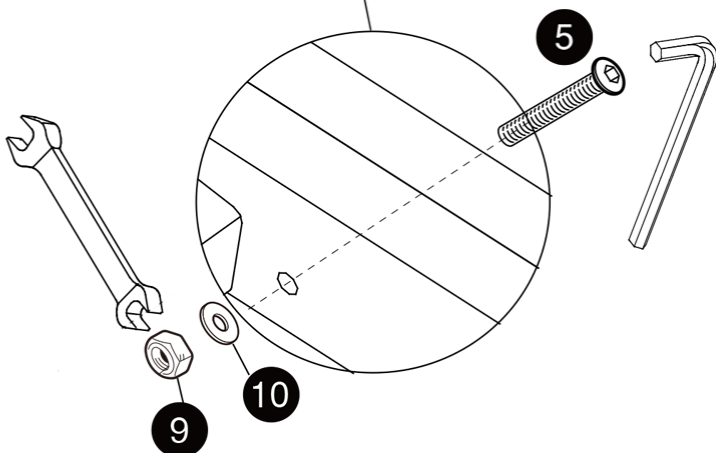
Repeat the same operation on the other side of the lounge chair.



5 x4

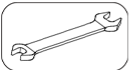
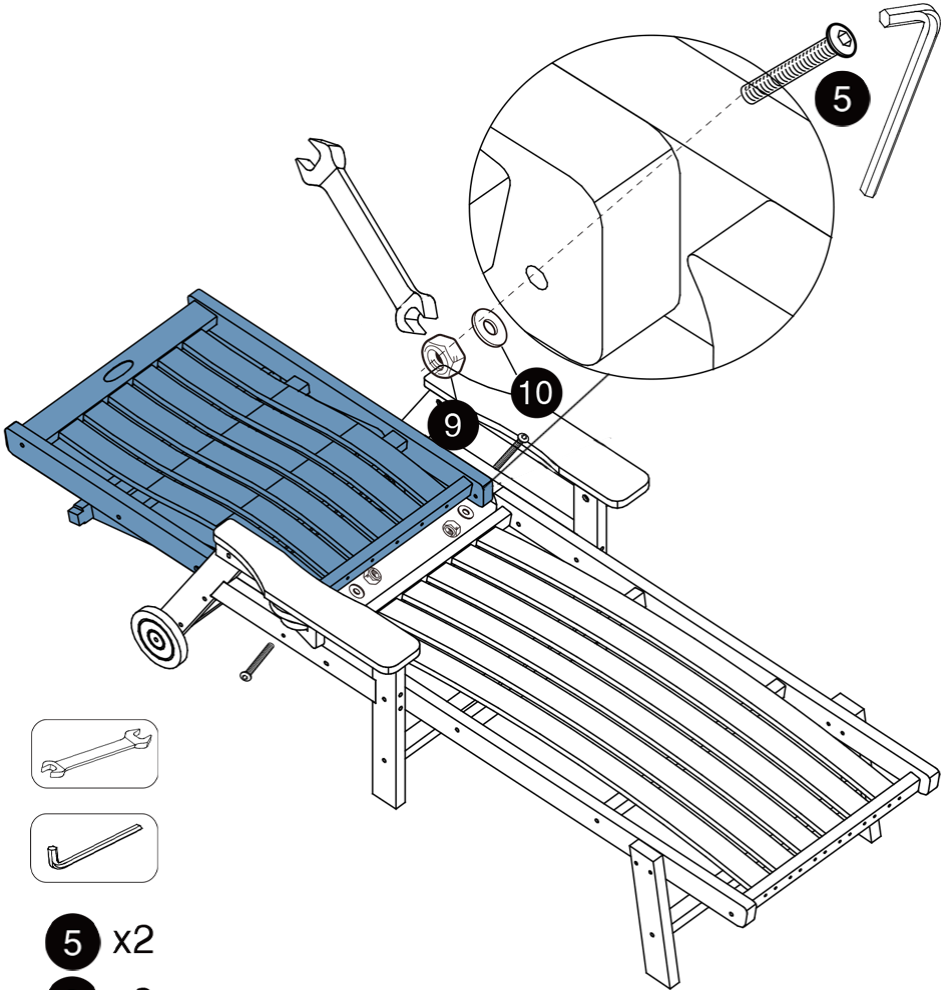
9 x4

10 x4



STEP 10

Secure B (Backrest) to the finished part in step 9, using hardware 5 (M6x60mm Bolt), Hardware 10 (Washer) and hardware 9 (M6 Nut). Repeat the same operation on the other side of the lounge chair.



5 x2

9 x2

10 x2

INSTALLATION COMPLETED



**PAY ATTENTION
DO NOT EXCEED THE MAXIMUM
LOAD OF 380LBS**

WARRANTY

We provide a basic warranty against defects in materials and workmanship for 2 years from the date of purchase for the product you have purchased. During this period, we will repair or replace defective parts at our sole discretion.

This warranty does not apply to units that have been improperly installed, mishandled, abused, damaged due to user error, or repaired or altered by unauthorized repair companies.

This limited 2-year basic warranty does not cover consequential or incidental damages. The warranty grants specific legal rights that may differ based on state laws, and customers may retain additional rights under applicable legislation.