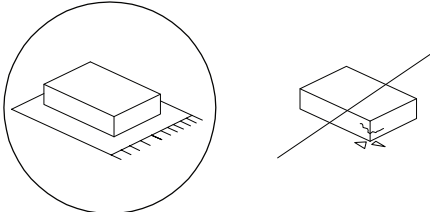


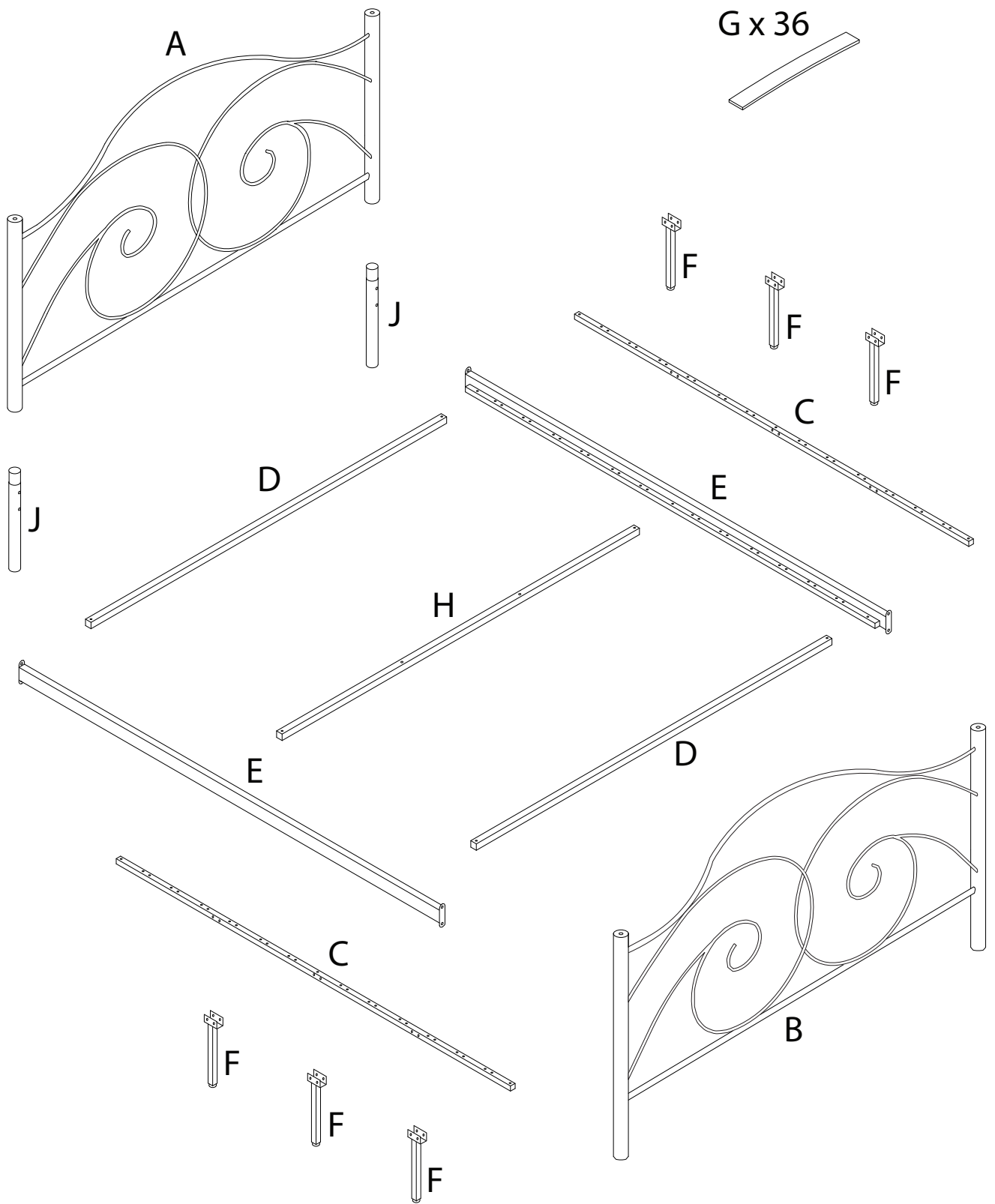
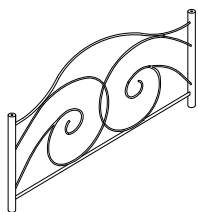

		<p>45'</p>
		
		<p>2</p>

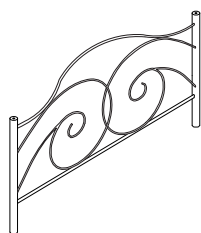


A



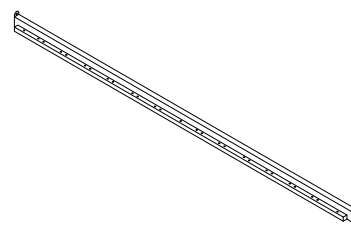
x 1

B



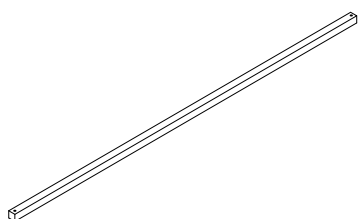
x 1

C



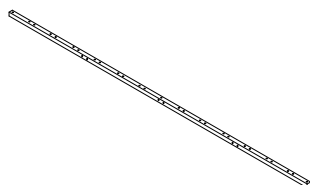
x 2

D



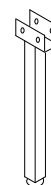
x 2

E



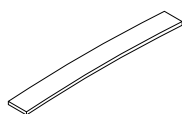
x 2

F



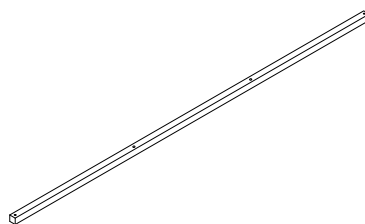
x 6

G



x 36

H



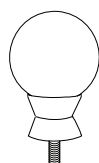
x 1

I



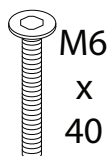
x 2

J



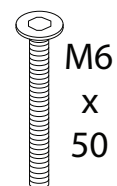
x 4

K



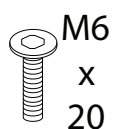
x 18

L



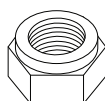
x 6

M



x 20

O



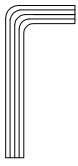
x 18

P



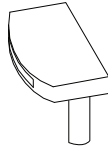
x 1

Q



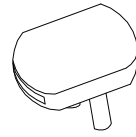
x 1

R



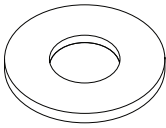
x 24

S



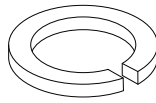
x 24

T



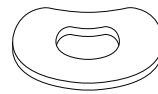
x 46

U



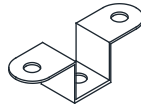
x 8

V






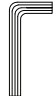

x 4

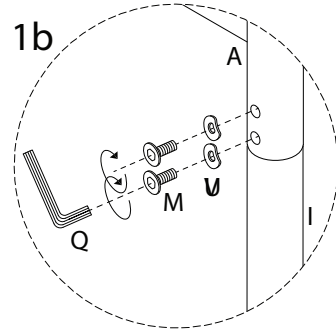
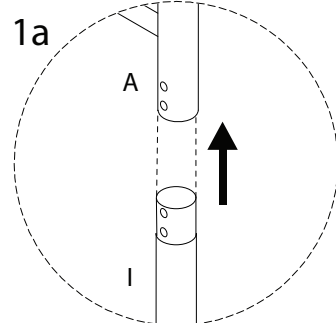
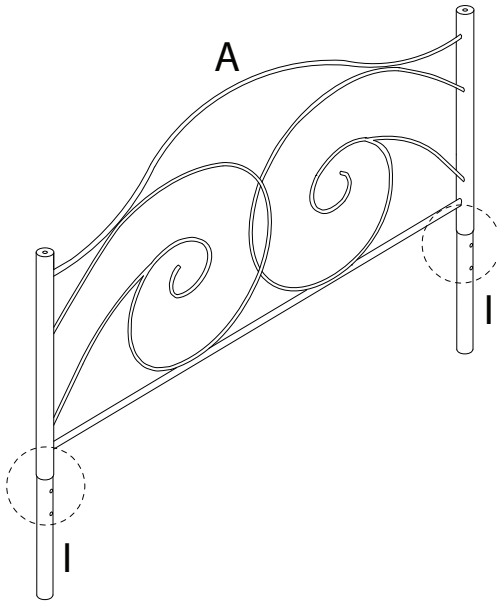
W



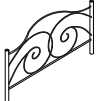

x 4

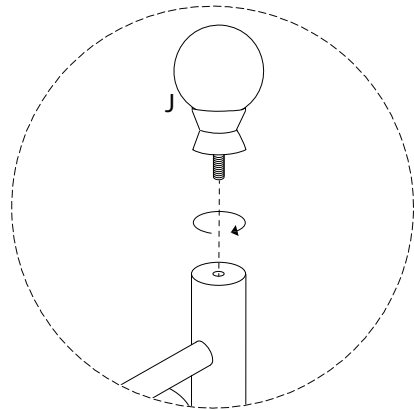
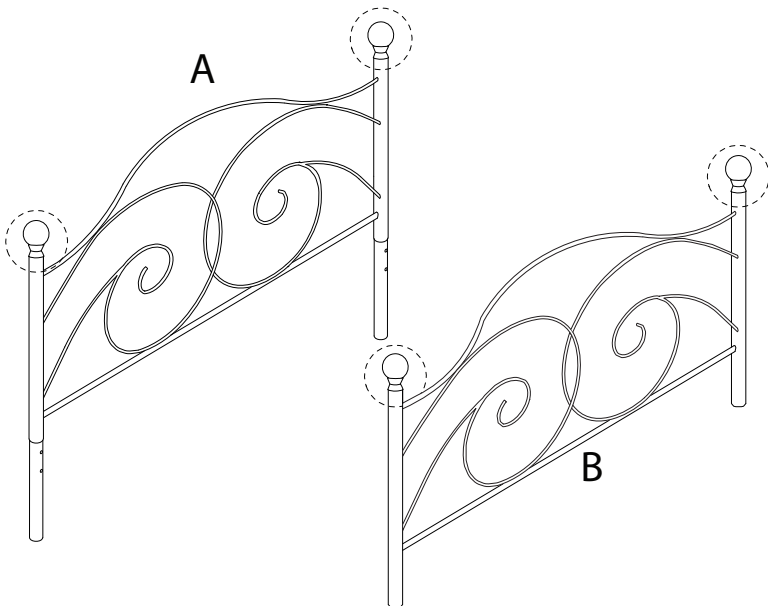
1

A  x 1	I  x 2	M  x 4	Q  x 1	V  x 4
--	--	--	--	--

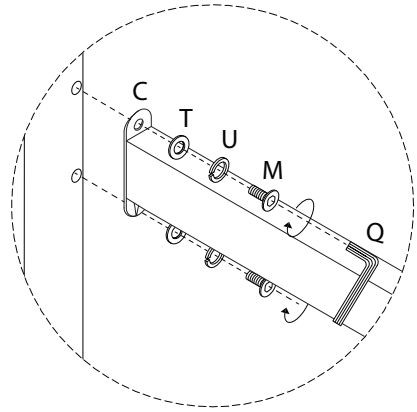
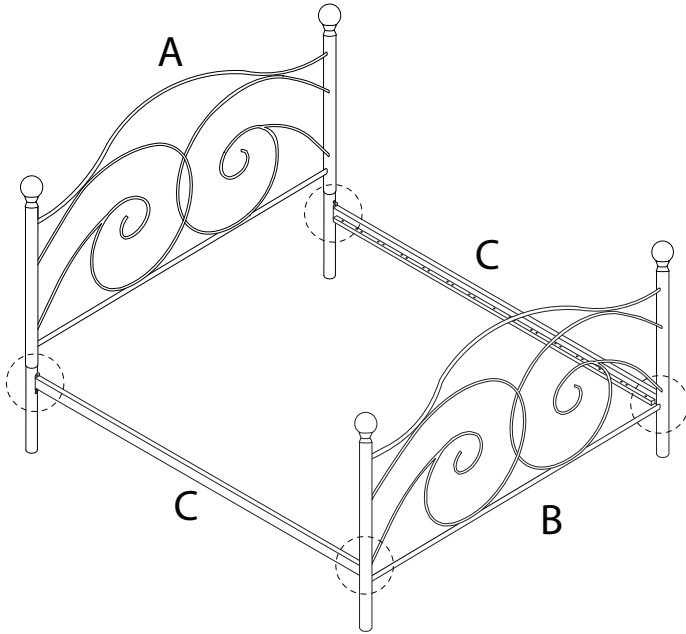
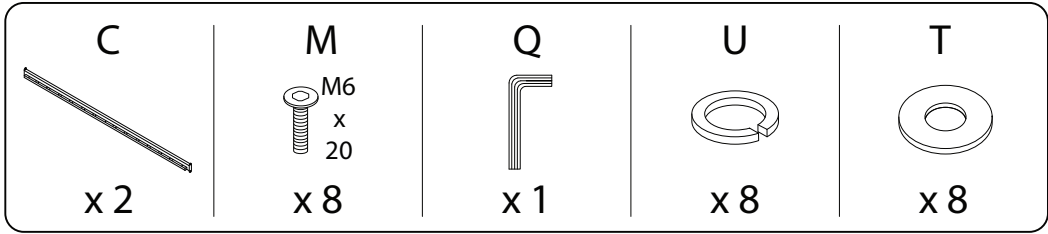


2

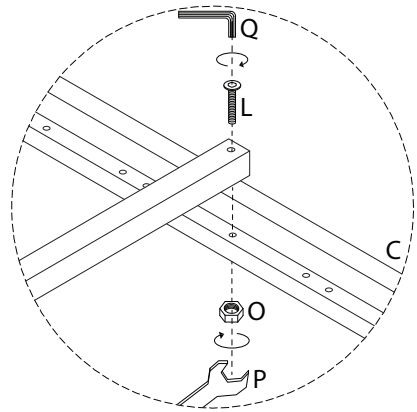
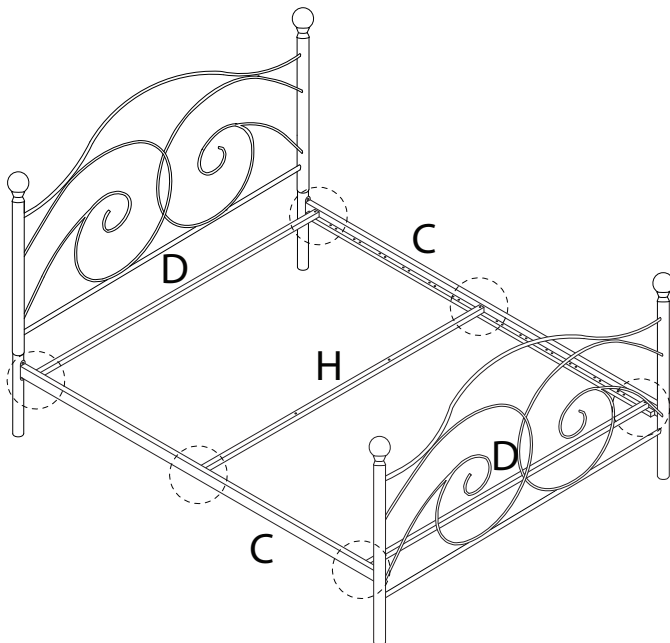
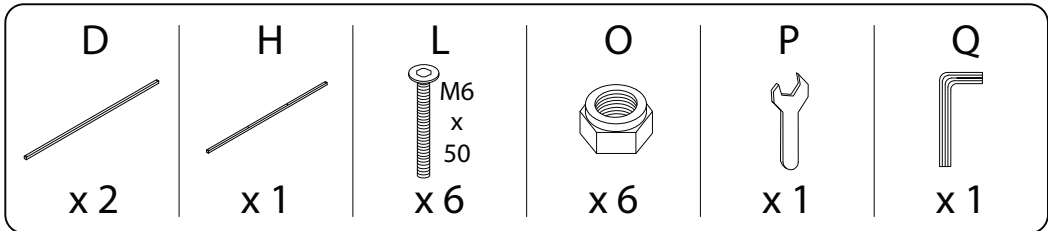
B  x 1	J  x 4
--	--





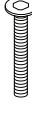
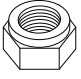

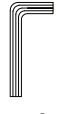
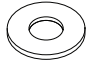
3

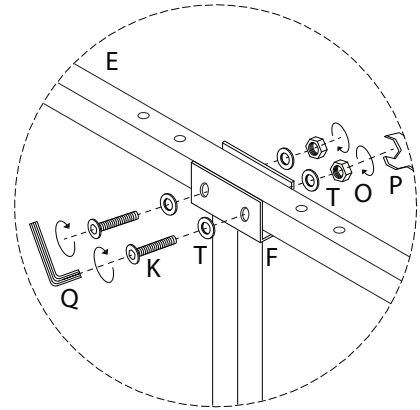
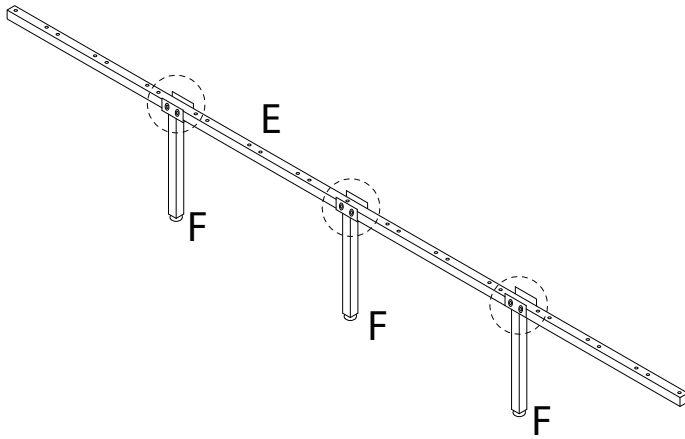


4

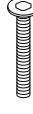

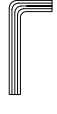
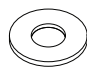
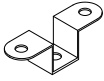


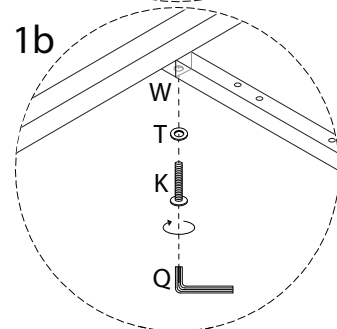
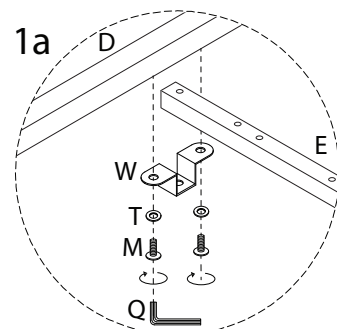
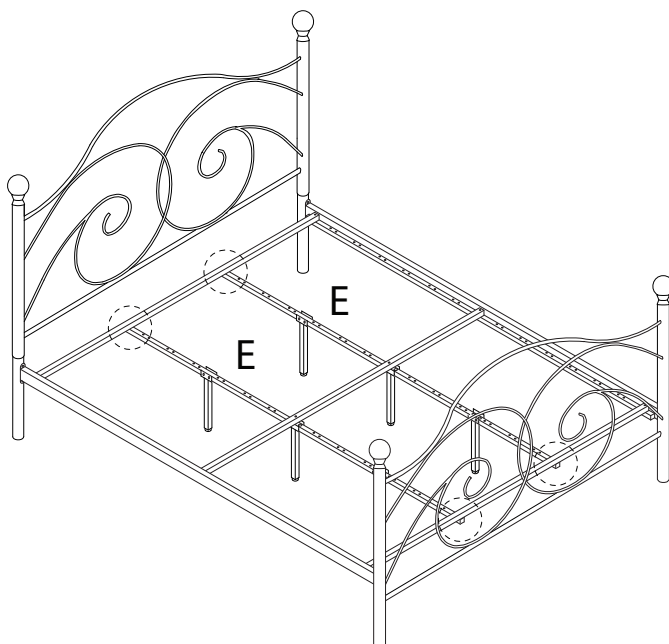
5 x 2

E  x 1	F  x 3	K M6 x 40  x 6	O  x 6	P  x 1	Q  x 1	T  x 12
---	---	--	---	---	---	--

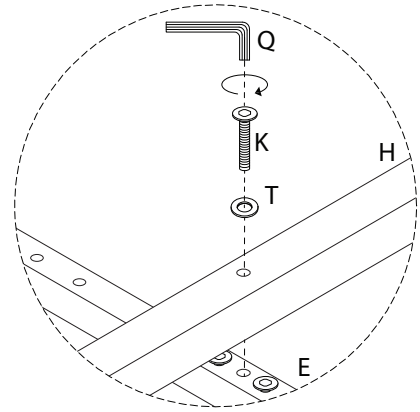
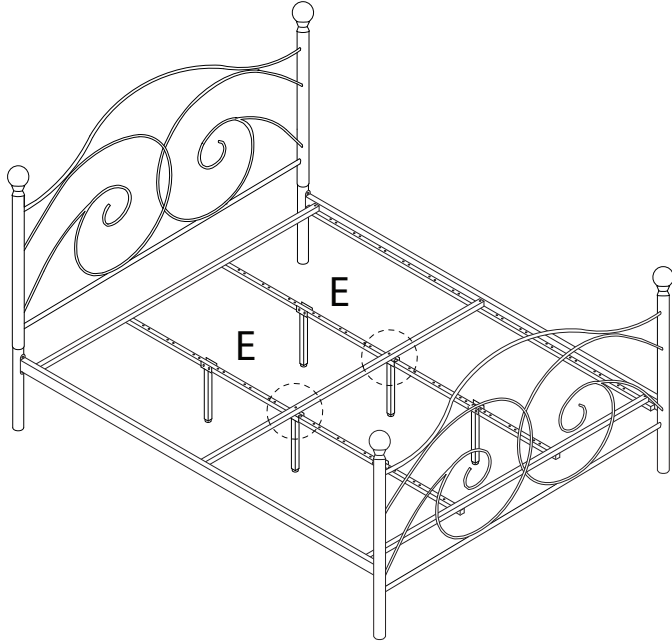
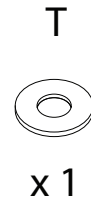
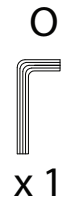
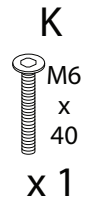


6

K M6 x 40  x 2	M M6 x 20  x 4	Q  x 1	T  x 6	W  x 2
--	--	---	---	---



7



8 x 12

