



DESIGNART ARMCHAIR COLLECTION

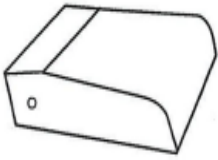
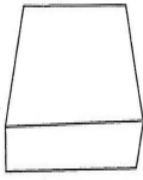
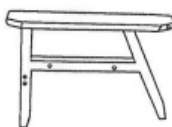
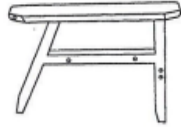


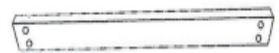


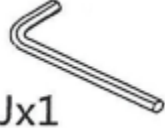
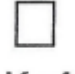

Thank you for your order!

Please note that each and every sale of DesignArt artwork, be it an oil painting, canvas art print, metal art, wood art, designed clock or one of our textile items supports an artist and allows them to live through their passion. Every DesignArt creation started with an artist's inspiration. A vision of what could be where nothing currently is. The deep desire to express one's own creativity and share it with the world. Through our many product lines, DesignArt allows artists and designers to express their ideas and creativity across many mediums.

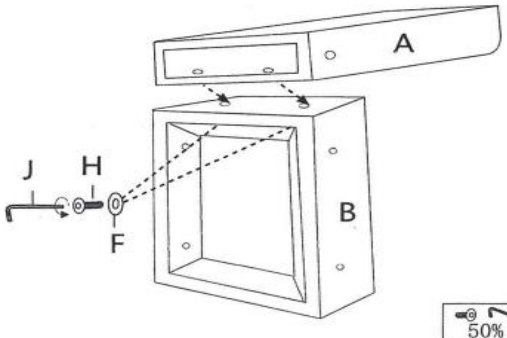
IMPORTANT – FOR CHAIR FABRIC CARE

PLEASE ONLY USE AN UPHOLSTERY CLEANER ON THE CHAIR FABRIC.

ARMCHAIR INSTRUCTIONS

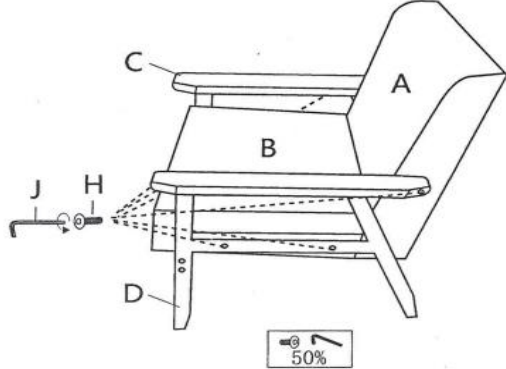
Ax1 	Bx1 	Cx1 	Dx1 	Ex4 	Fx2 
Gx1 	Hx8  M8*45mm	Ix4  M8*60mm	Jx1 	Kx4 	Lx10 

1



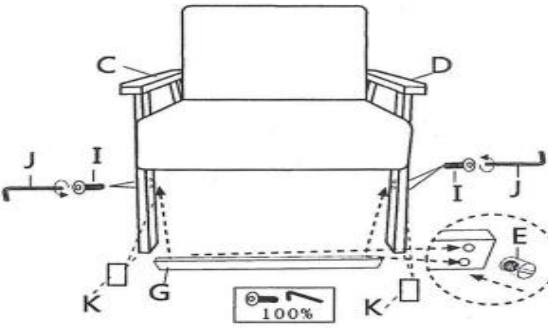
PLEASE ONLY TIGHTEN THE SCREW 50% UNTIL STEP 3 IS COMPLETED. AFTER STEP 3 IS DONE, PLEASE TIGHTEN 100%

2



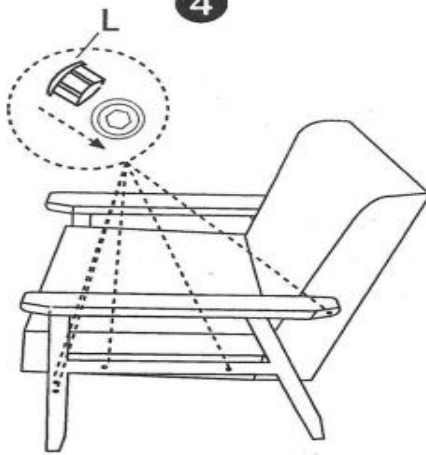
PLEASE ONLY TIGHTEN THE SCREW 50% UNTIL STEP 3 IS COMPLETED. AFTER STEP 3 IS DONE, PLEASE TIGHTEN 100%

3



PLEASE ADD **PART - G** AND THEN TIGHTEN ALL SCREWS FROM STEP 1, 2 & 3 TO A 100%

4



5

