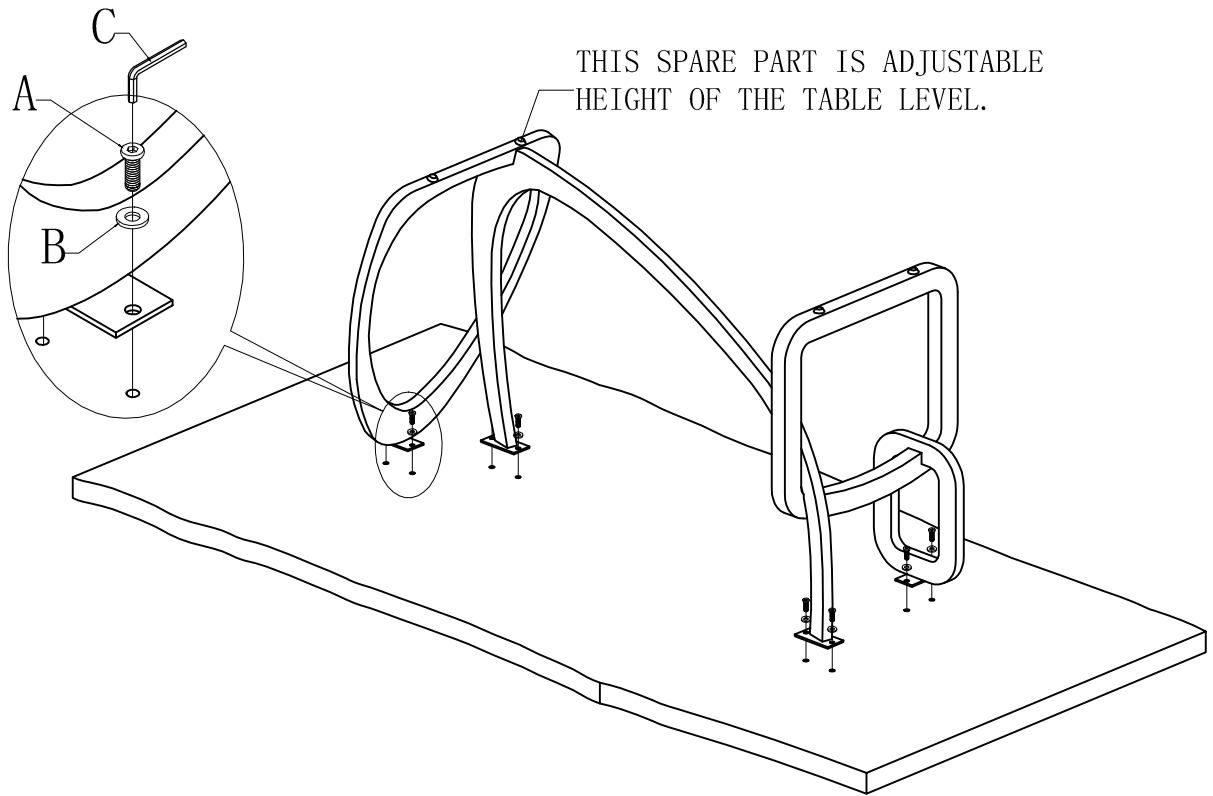
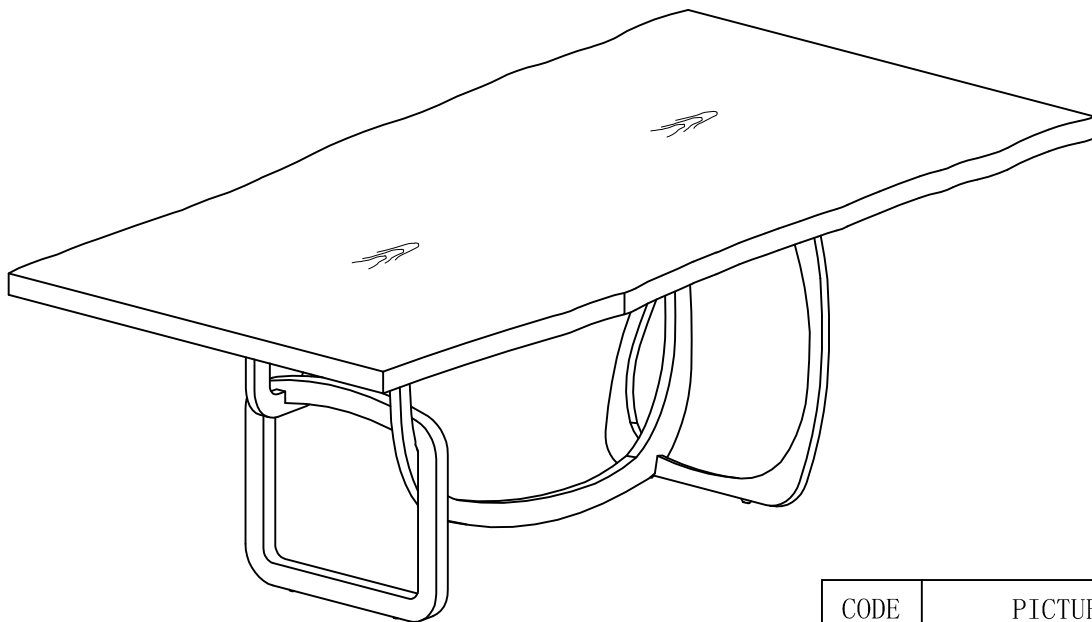





①



②



CODE	PICTURE	QTY
A	 M8*25mm	8
B	 $\phi$ 19mm	8
C	 M5*65mm	1