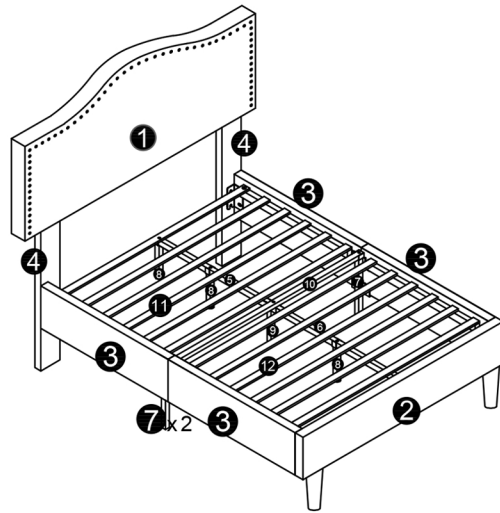
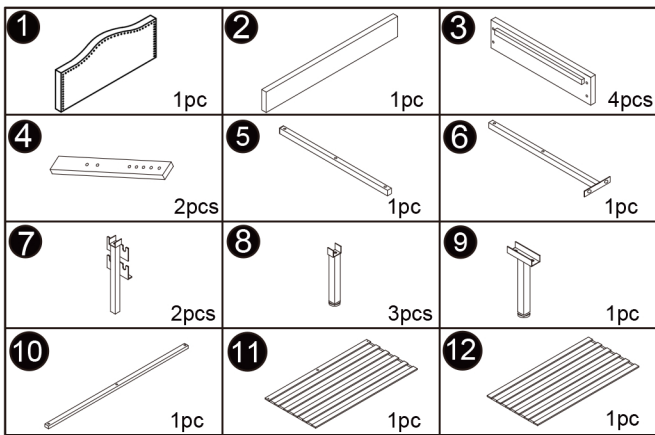


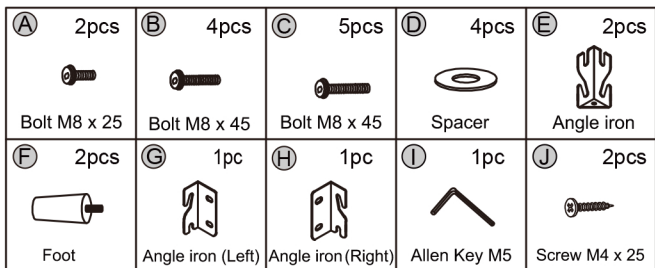
# Bed Frame Installation Manual



## Componets



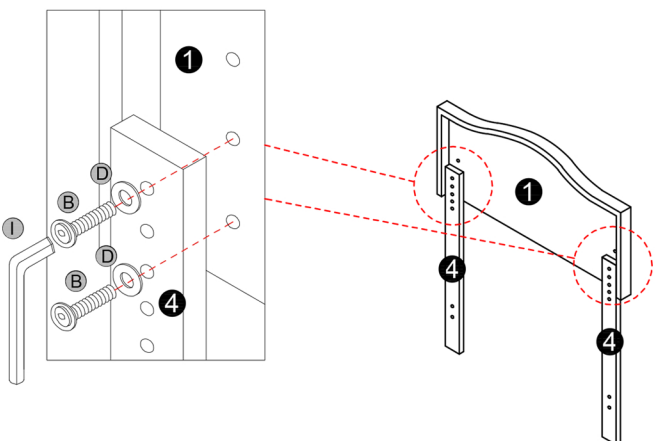
## Screws & Tools



Check all the components & screws before assembly. Do not install in case part is missing, contact us to get:.

**1**

 B x 4  D x 4  I x 1



**2**

 G x 1  H x 1  I x 1

