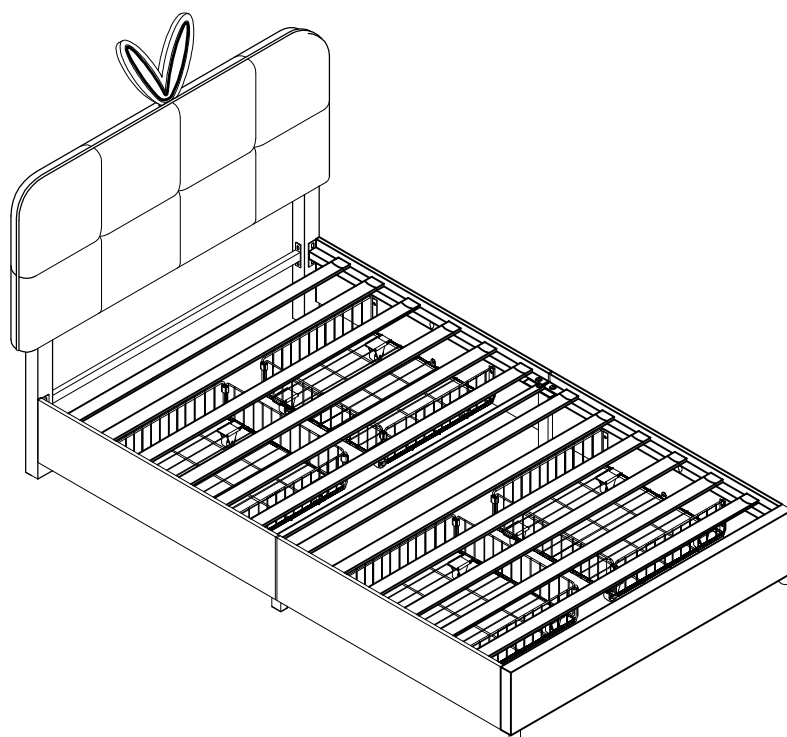


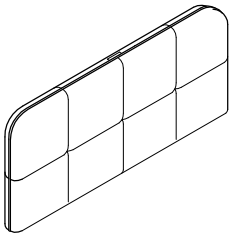
ASSEMBLY INSTRUCTIONS

267 T



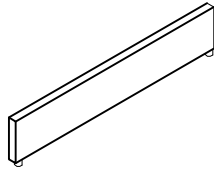
PARTS AND HARDWARE

① Headboard



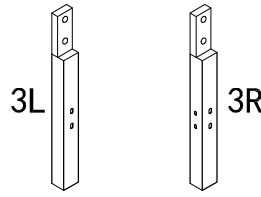
1PC

② Footboard



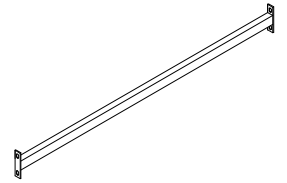
1PC

③ HB Leg



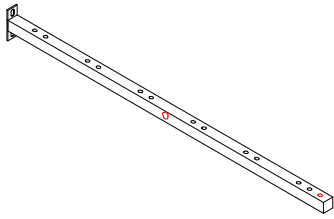
2PCS

④ HB Support Rail



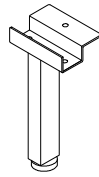
1PC

⑤ Side Rail Support



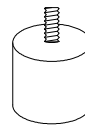
4PCS

⑥ Side Rail Feet



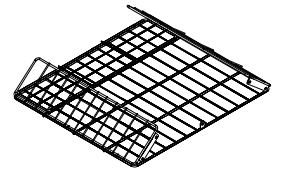
2PCS

⑦ Leg



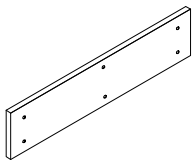
2PCS

⑧ Drawer



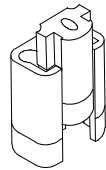
4PCS

⑨ Drawer panel



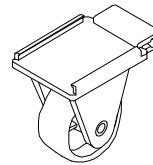
4PCS

⑩ Drawer connector



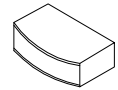
16PCS

⑪ Drawer wheel



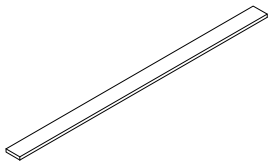
16PCS

⑫ Single Sided Plastic cap



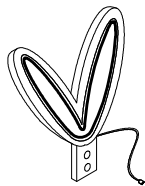
24PCS

⑬ Slat



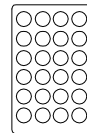
12PCS

⑭ HB



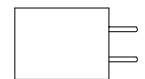
1PC

⑮ REMOTE CONTROL



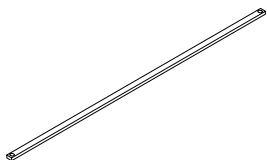
1PC

⑯ POWER



1PC

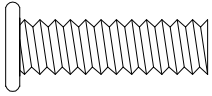
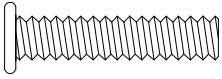
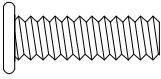

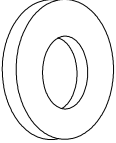
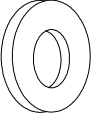
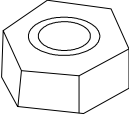
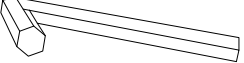

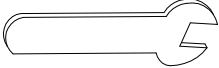
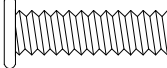
⑰ Center cross bar



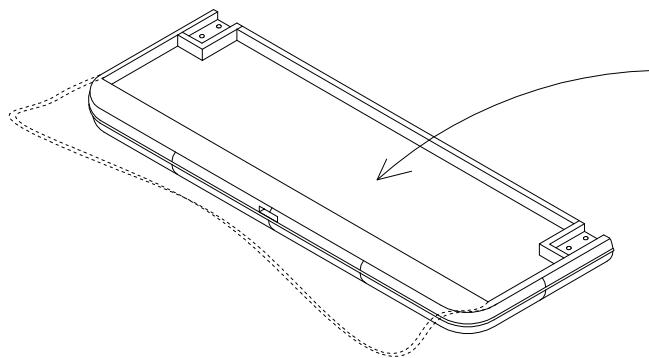
1PC

PARTS AND HARDWARE

HARDWARE LIST:

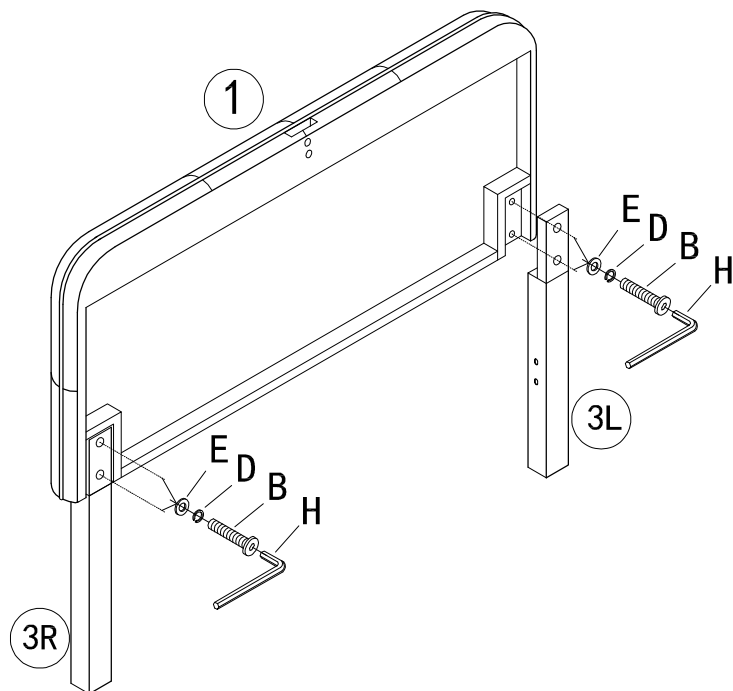
<p>A</p>  <p>m8*30mm 12PCS</p>	<p>B</p>  <p>m8*50mm 10PCS</p>	<p>C</p>  <p>m6*20mm 24PCS</p>	<p>D</p>  <p>m8 22PCS</p>
<p>E</p>  <p>m8*19mm 22PCS</p>	<p>F</p>  <p>m6*16mm 22PCS</p>	<p>G</p>  <p>M8 2PCS</p>	<p>H</p>  <p>m8 1PC</p>
<p>I</p>  <p>m6 1PC</p>	<p>J</p>  <p>1PC</p>	<p>K</p>  <p>m6*30mm 2PCS</p>	





STEP :Packing Details



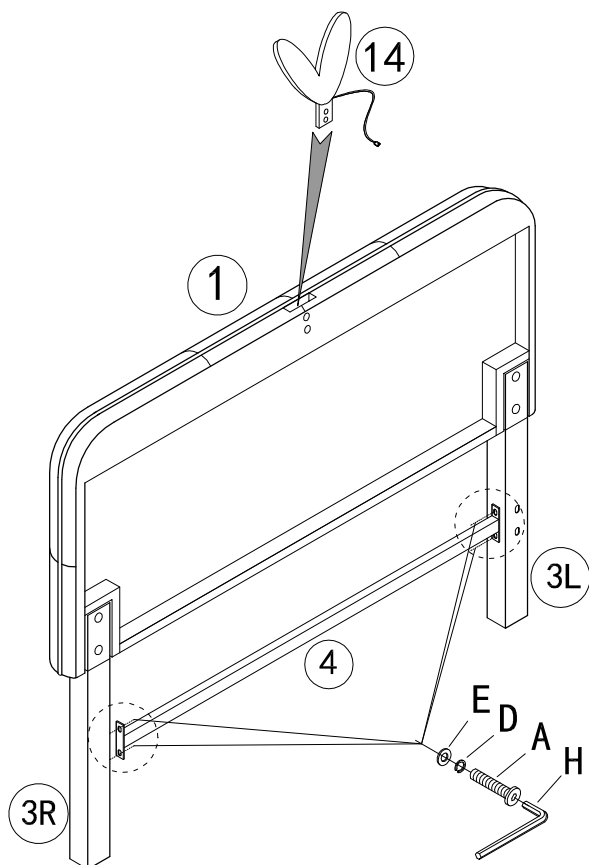
Components inside





STEP 1



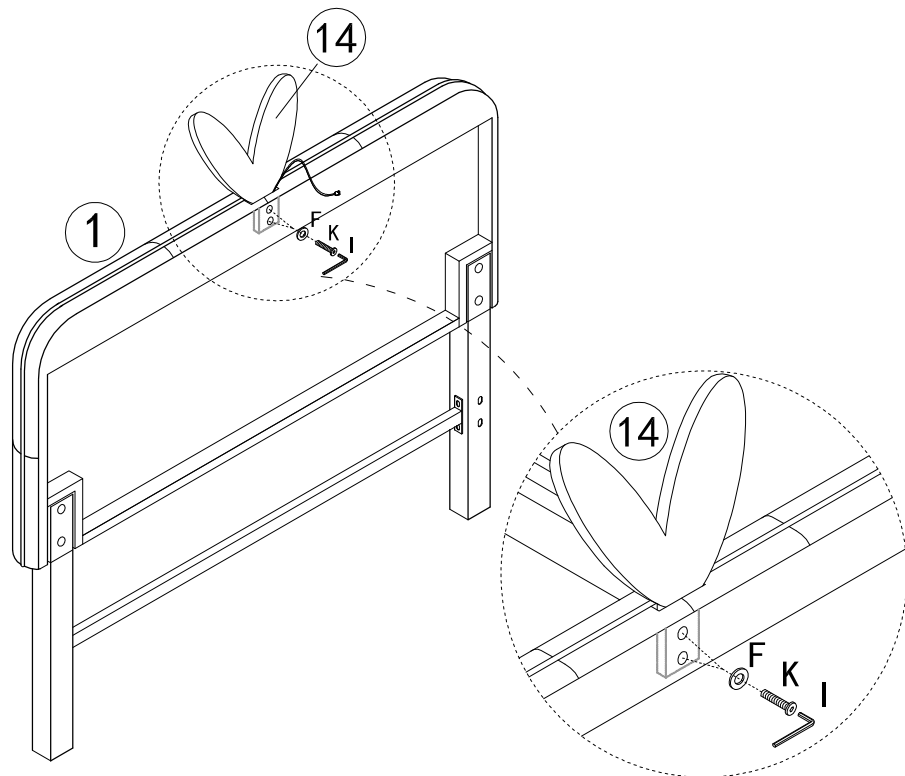
	B x 4PCS
	E x 4PCS
	D x 4PCS
	H x 1PC

STEP 2






	A x 4PCS
	E x 4PCS
	D x 4PCS
	H x 1PC

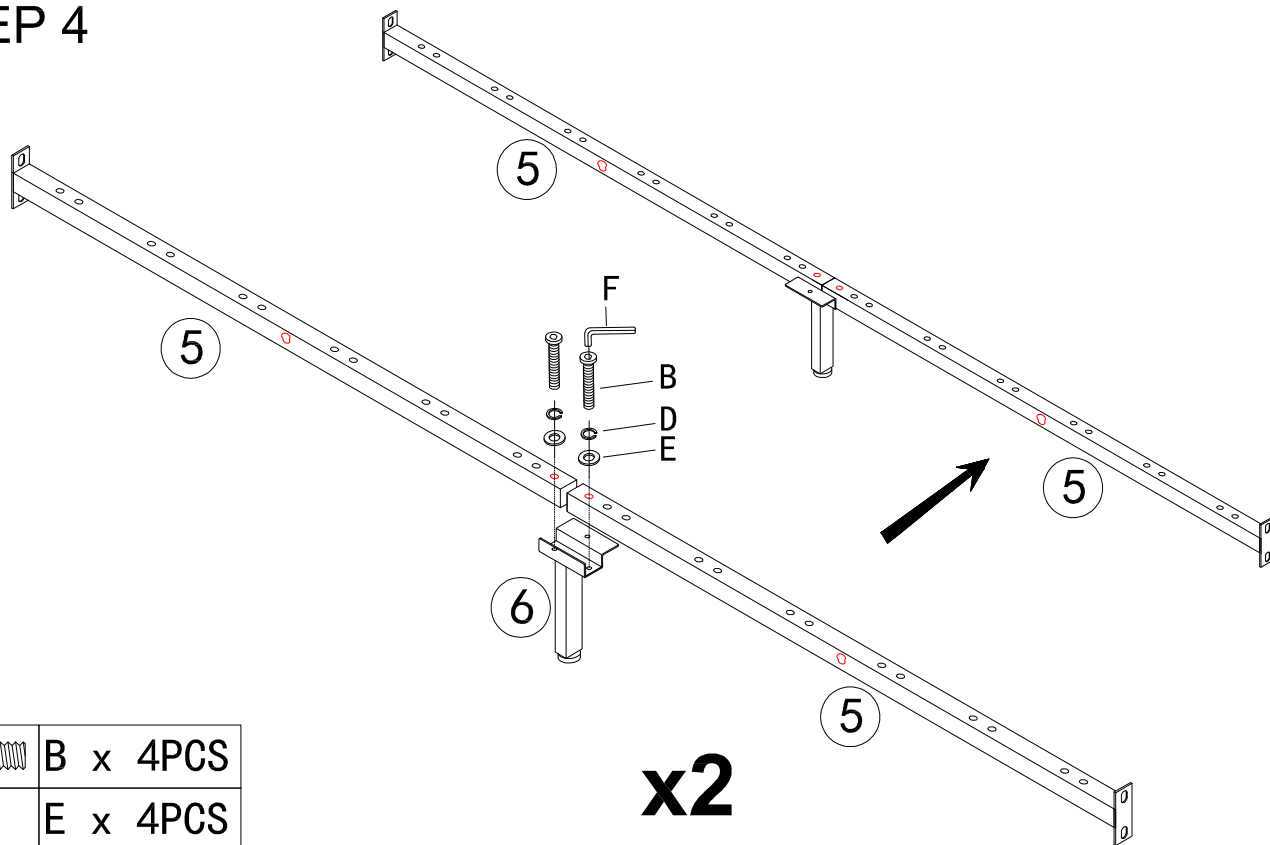
STEP 3







m6*30mm

	K x 2PCS
	F x 2PCS
	I x 1PC

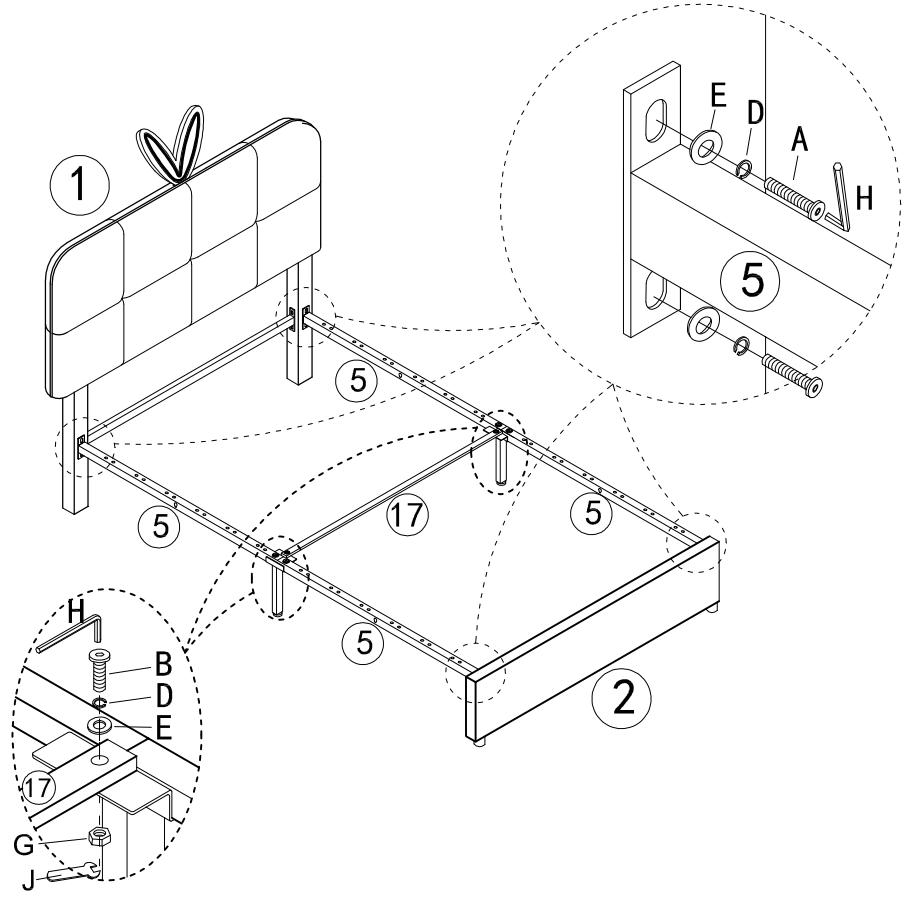
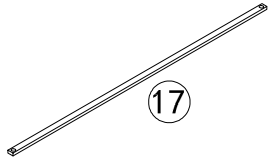
STEP 4



	B x 4PCS
	E x 4PCS
	D x 4PCS
	H x 1PC

x2

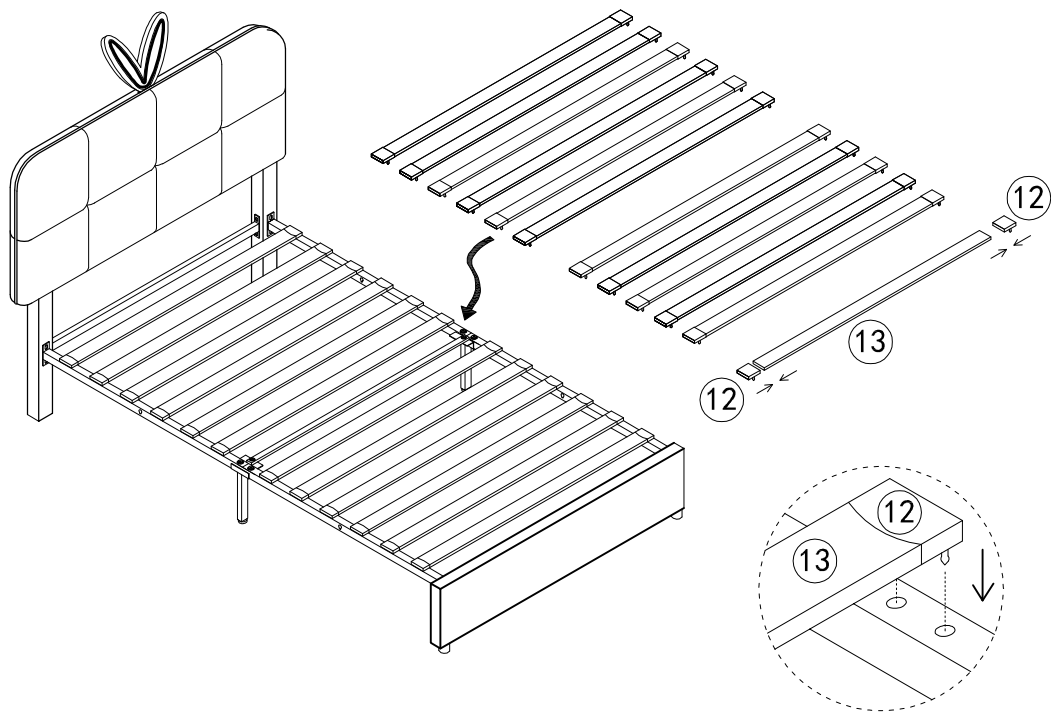
STEP 5



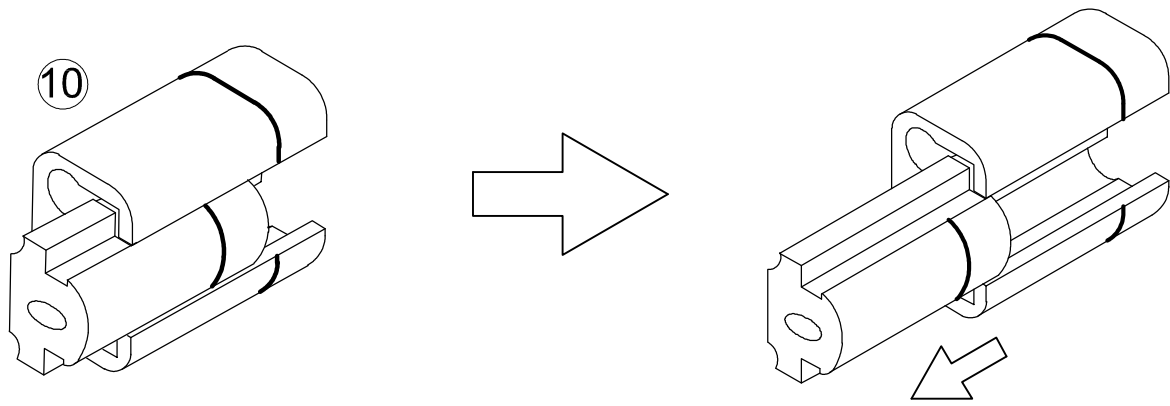
	B x 2PCS
	A x 8PCS
	E x10PCS
	D x10PCS
	H x 1PC
	G x 2PCS
	J x 1PC

STEP 6

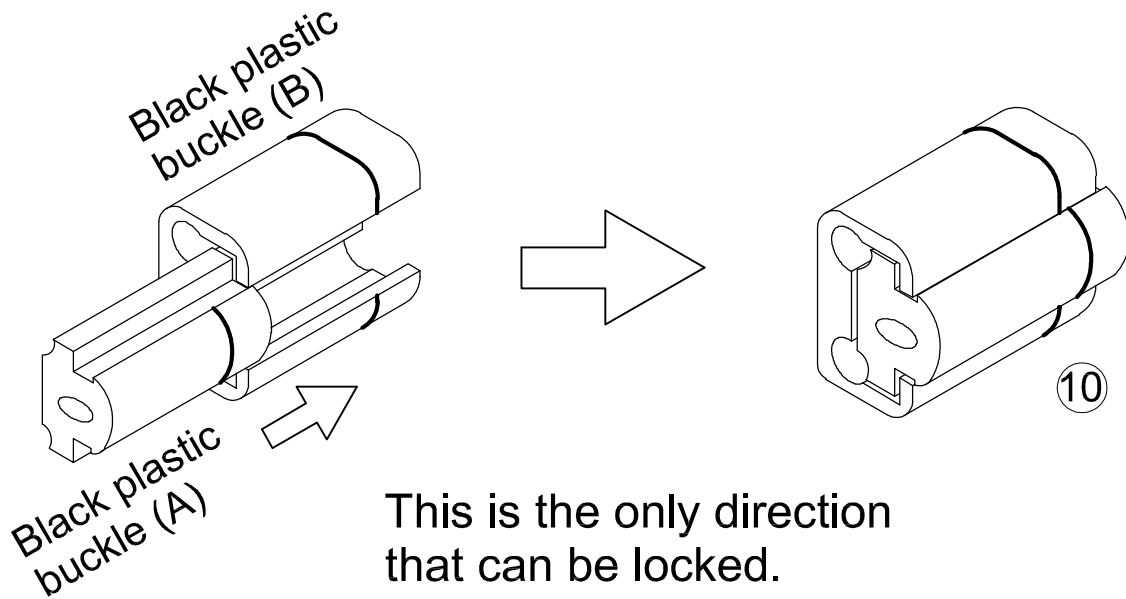
 12PCS	 24PCS
-----------	-----------



STEP 7:

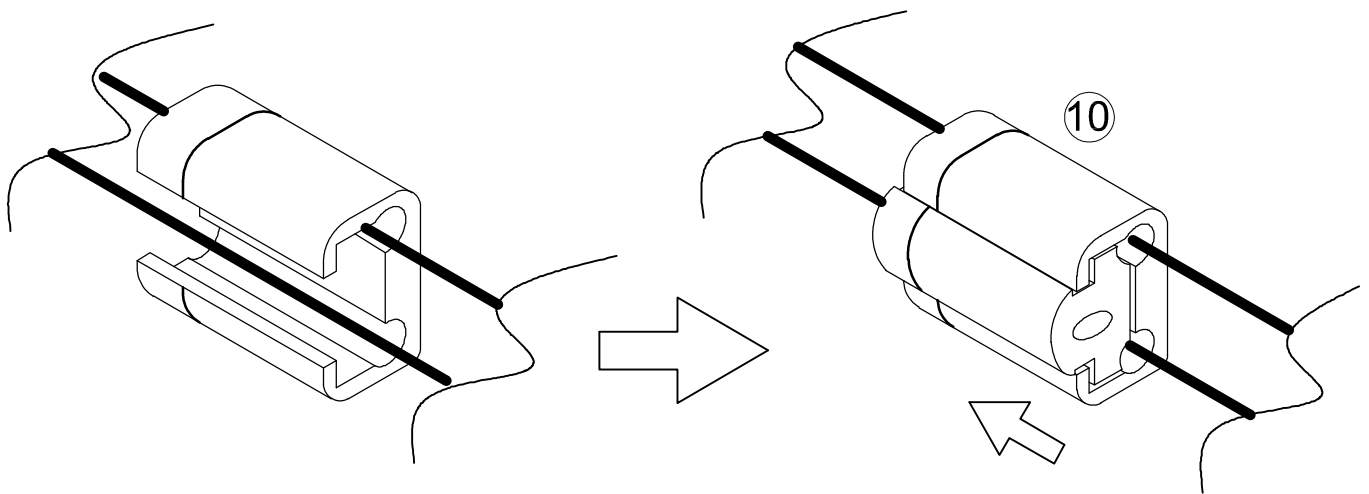


You can pull the buckle out by following the direction indicated by the arrow



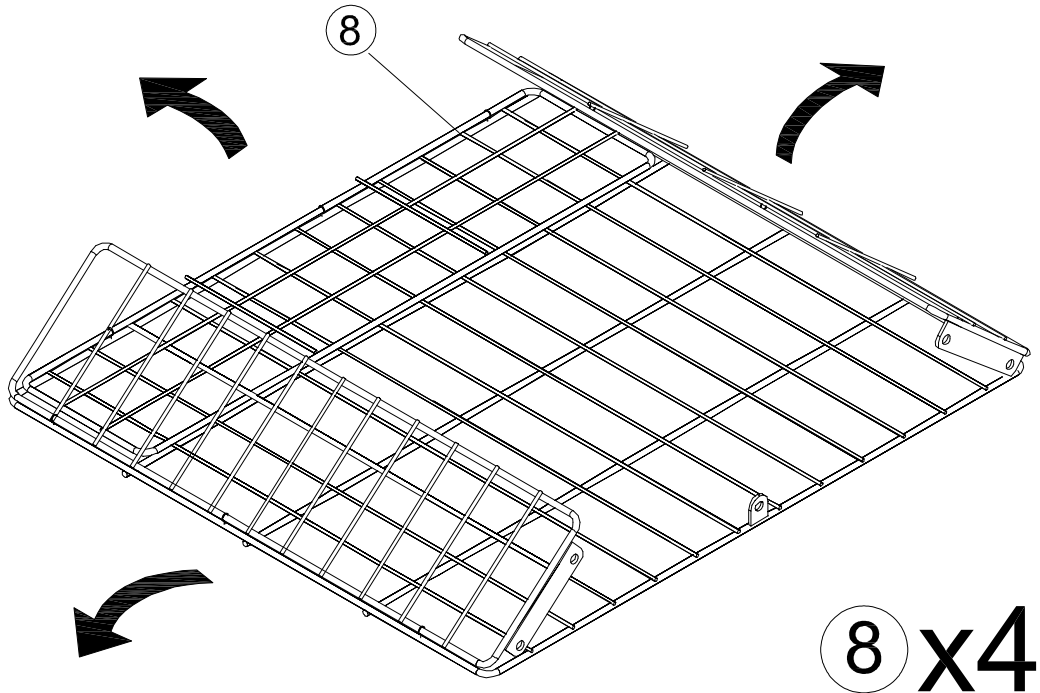
This is the only direction that can be locked.

STEP 8:

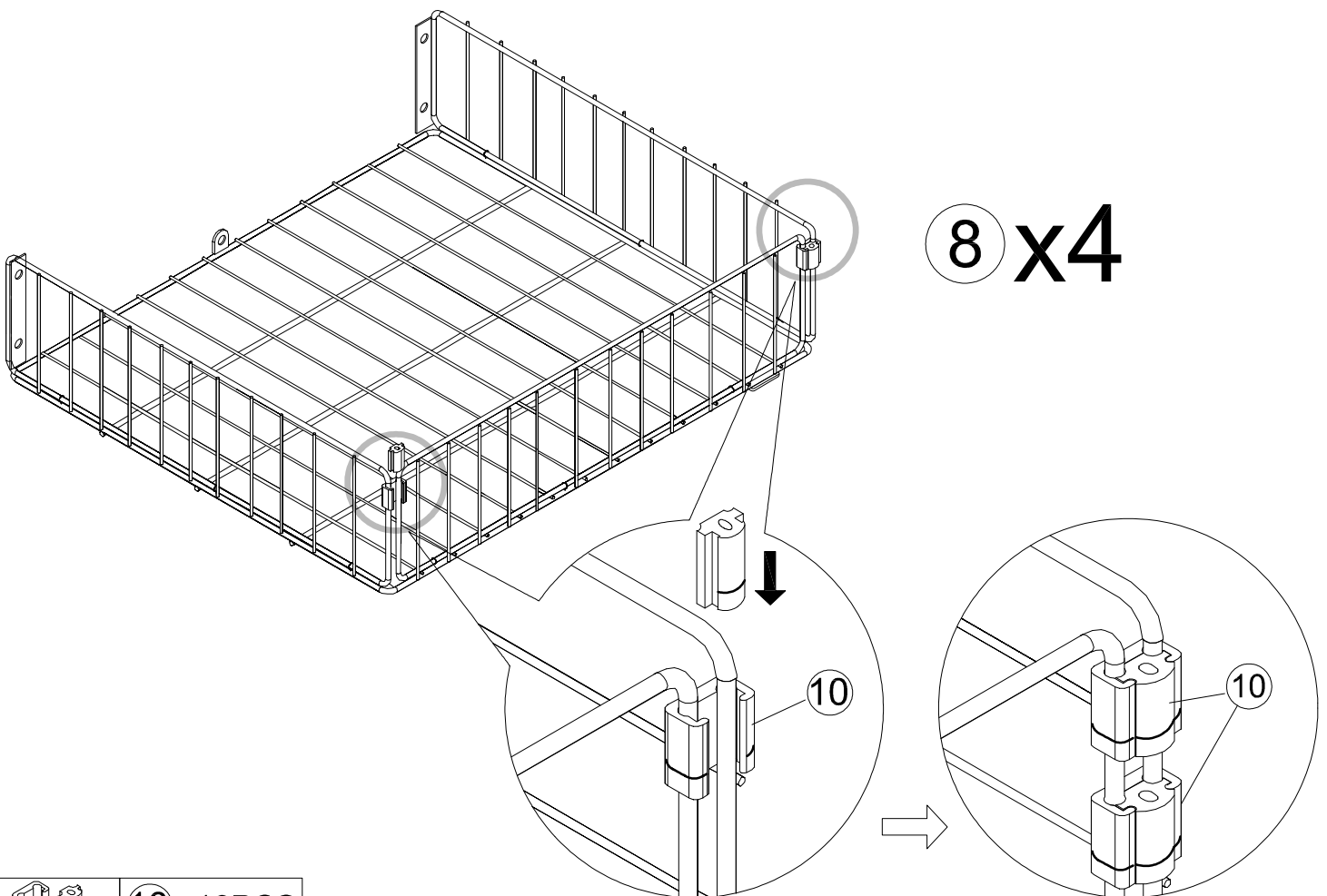


Place round iron tube as shown for better drawer assembly

STEP 9:

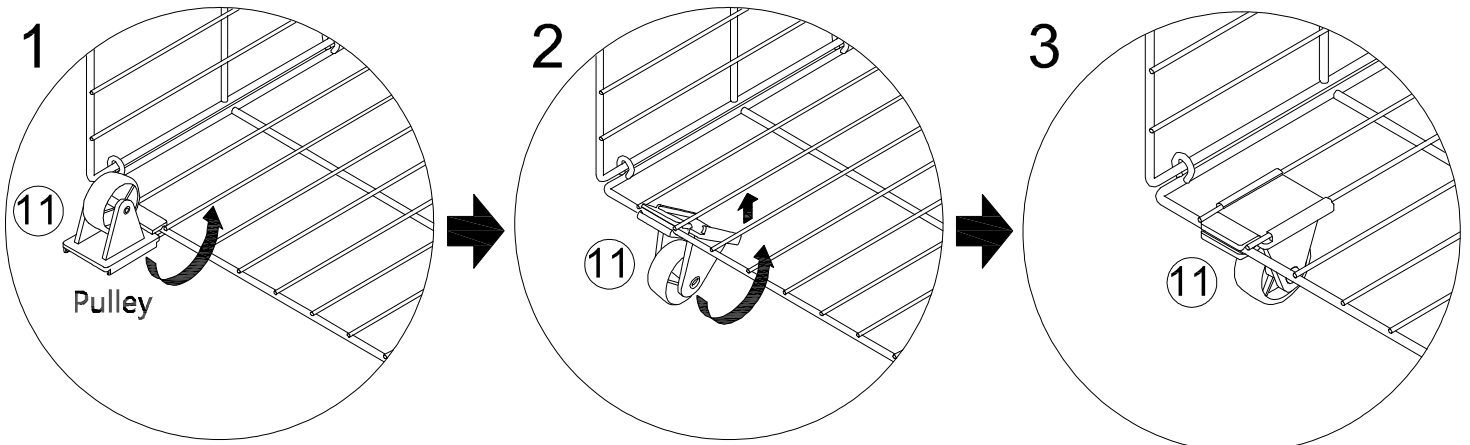


STEP 10:



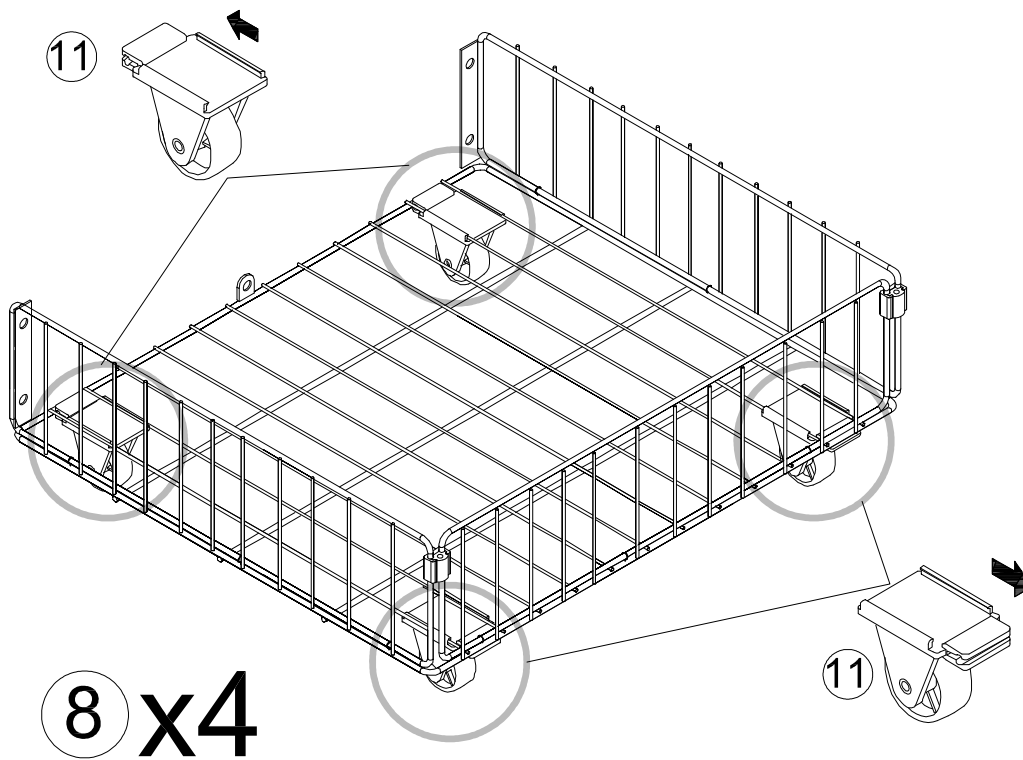
10 x16PCS

STEP 11:



1. As shown in the figure Clip the pulley into position first

2. Then push the pulley to the side, clamp the iron wire at the edge.

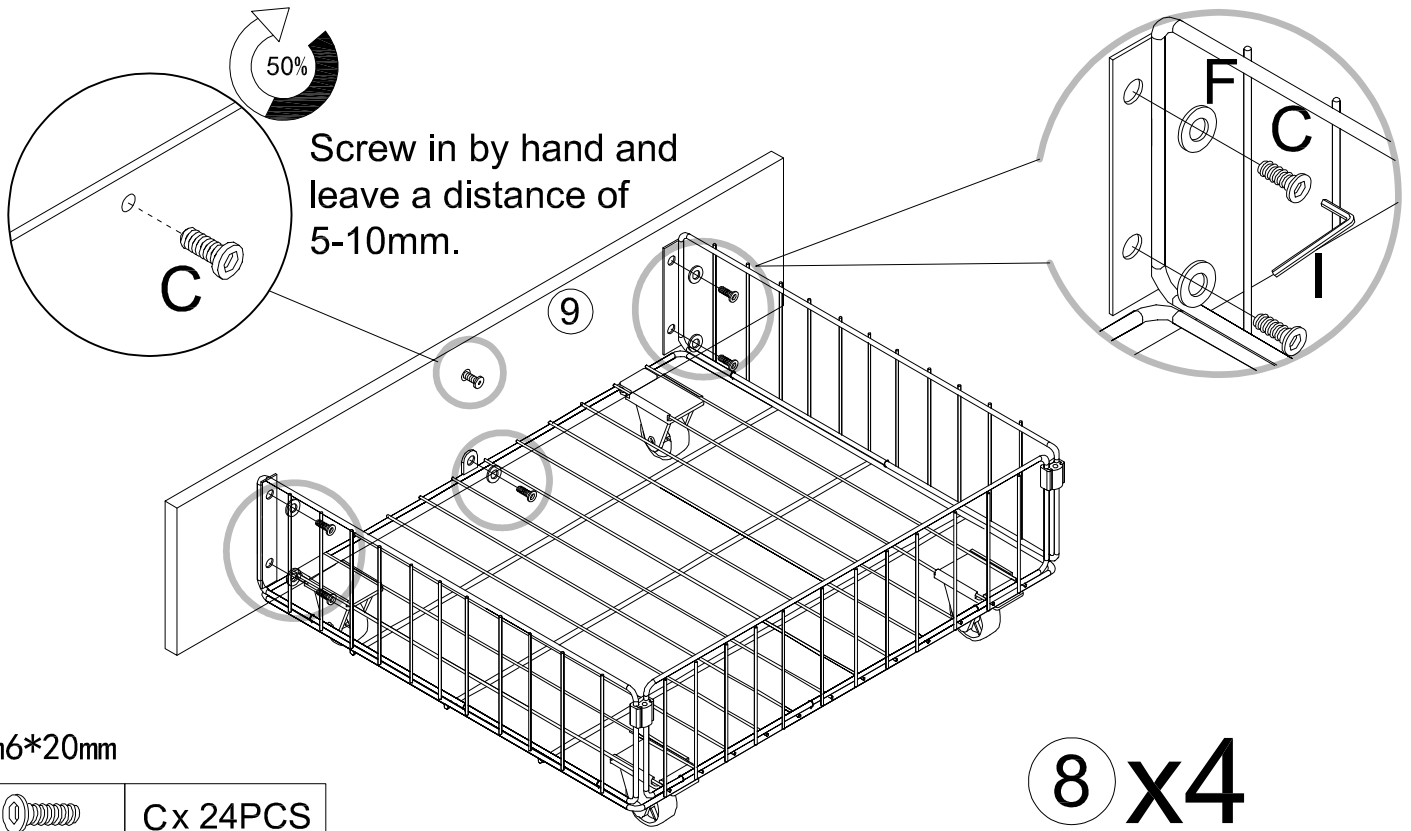


Place the round iron tubes as shown for better assembly of the drawers.






11 x 16PCS

STEP 12:

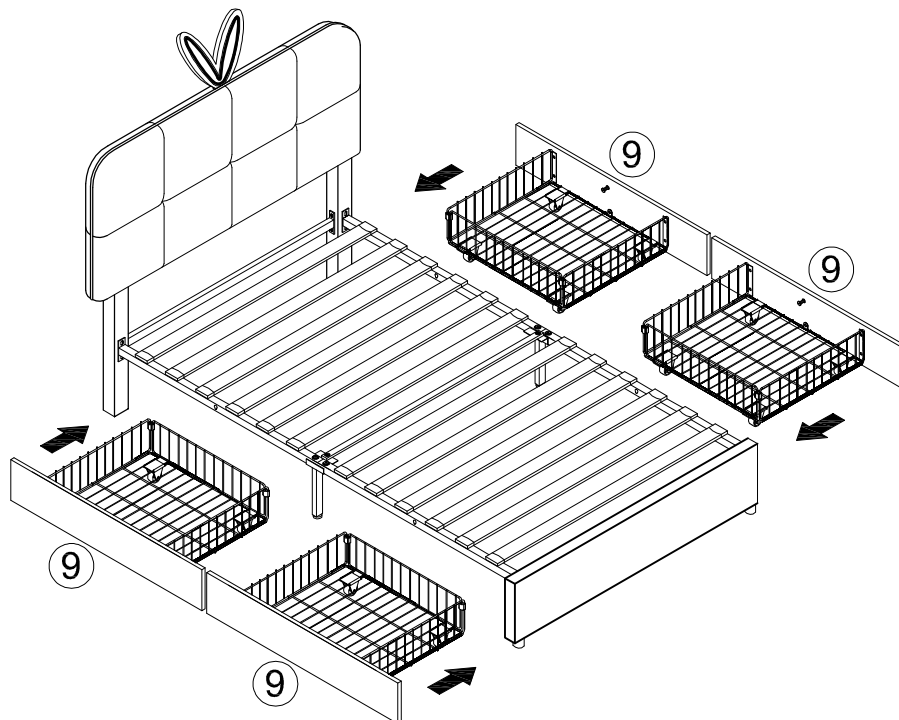


m6*20mm

	C x 24PCS
	F x 20PCS
	I x 1PC

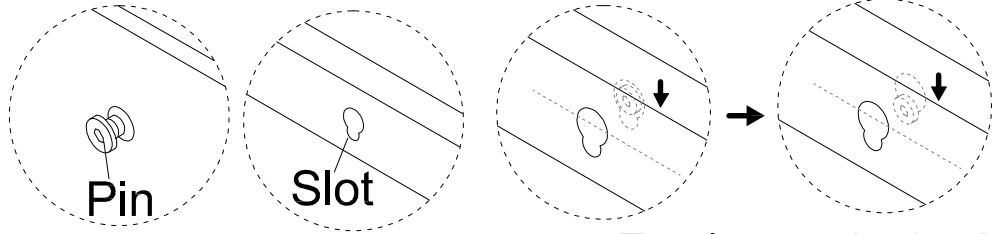
8 x 4

STEP 13:

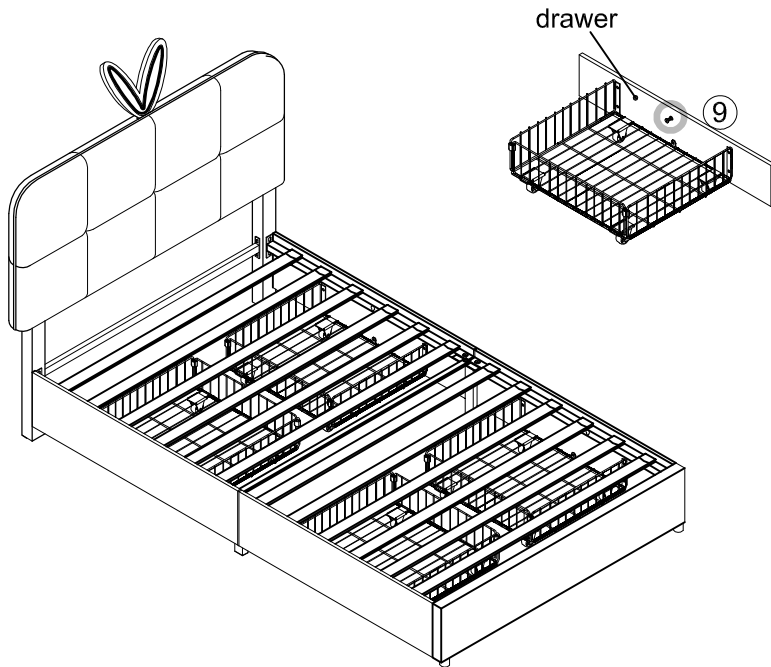


STEP 14:

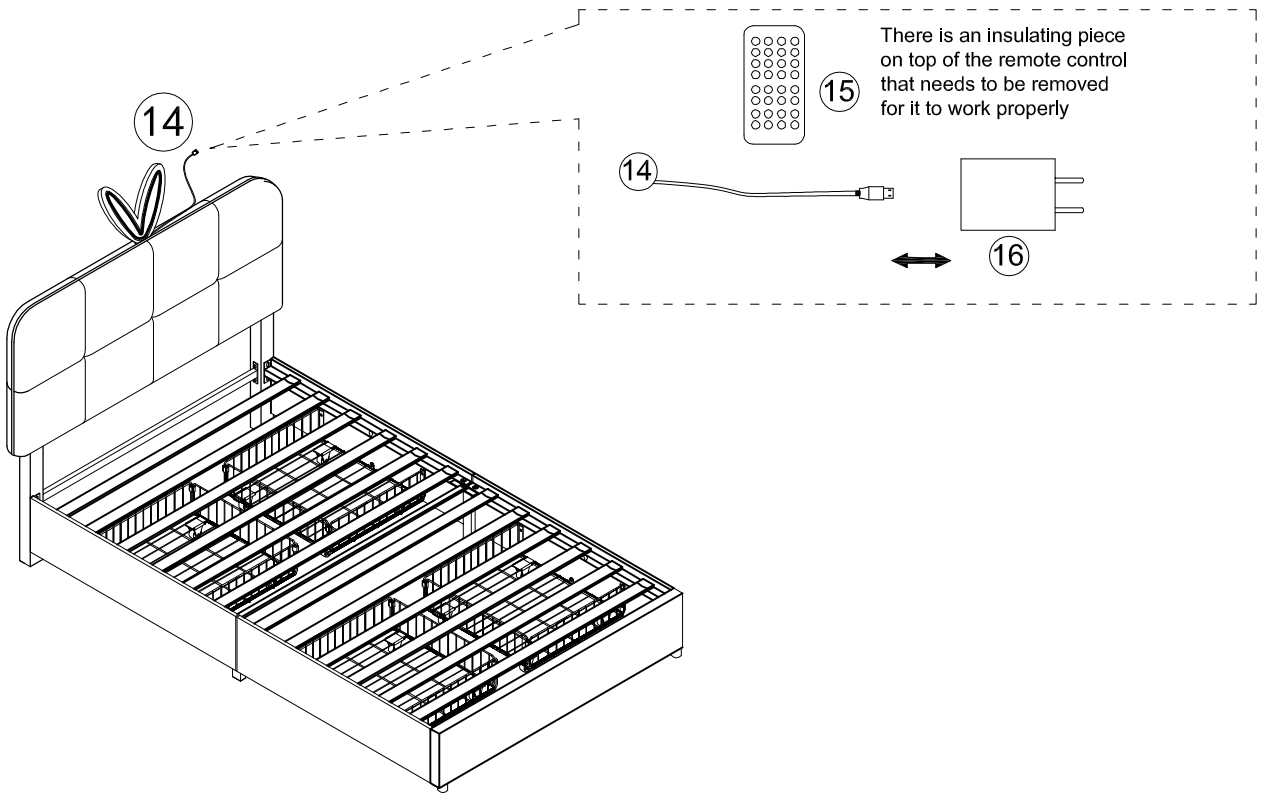
Drawer panel screw hang into side cross beam hole.



There is a screw head on the drawer board. Hang them in the hole as shown in the figure.



STEP 15:



There is an insulating piece on top of the remote control that needs to be removed for it to work properly