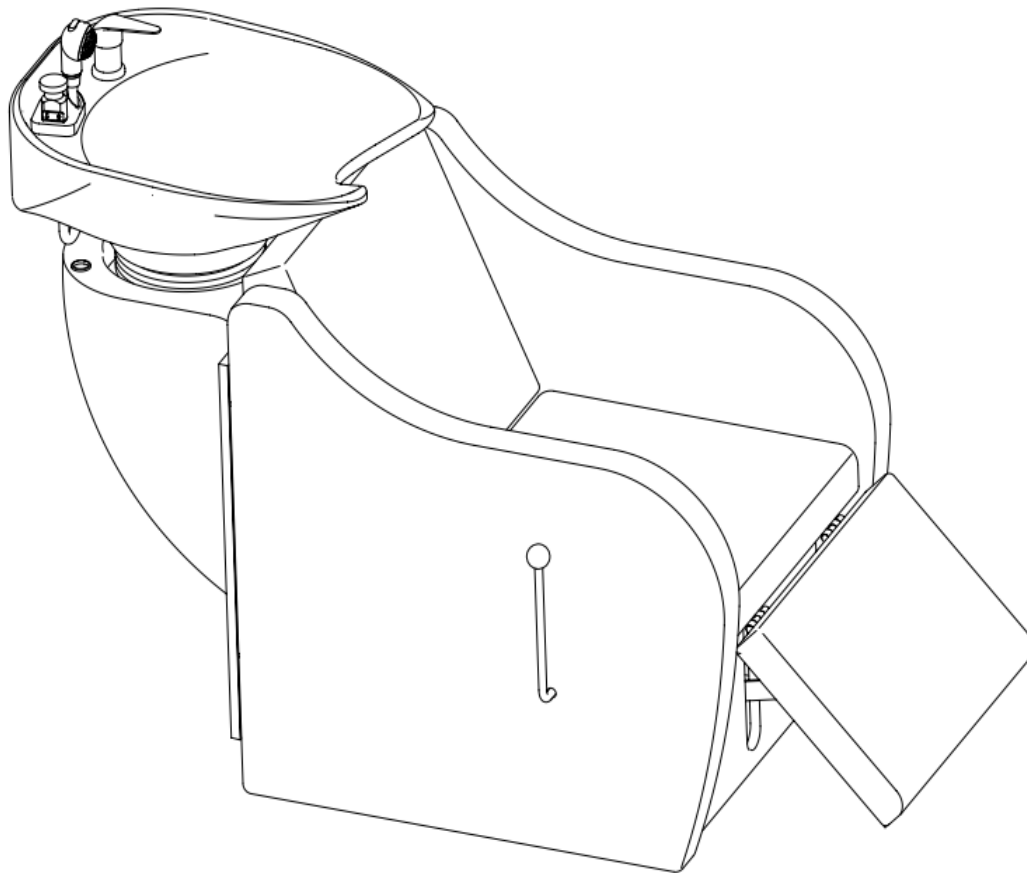


PRODUCT MANUAL



ATTENTION! PLEASE READ THESE INSTRUCTIONS BEFORE USING THIS DEVICE

PRODUCT MANUAL



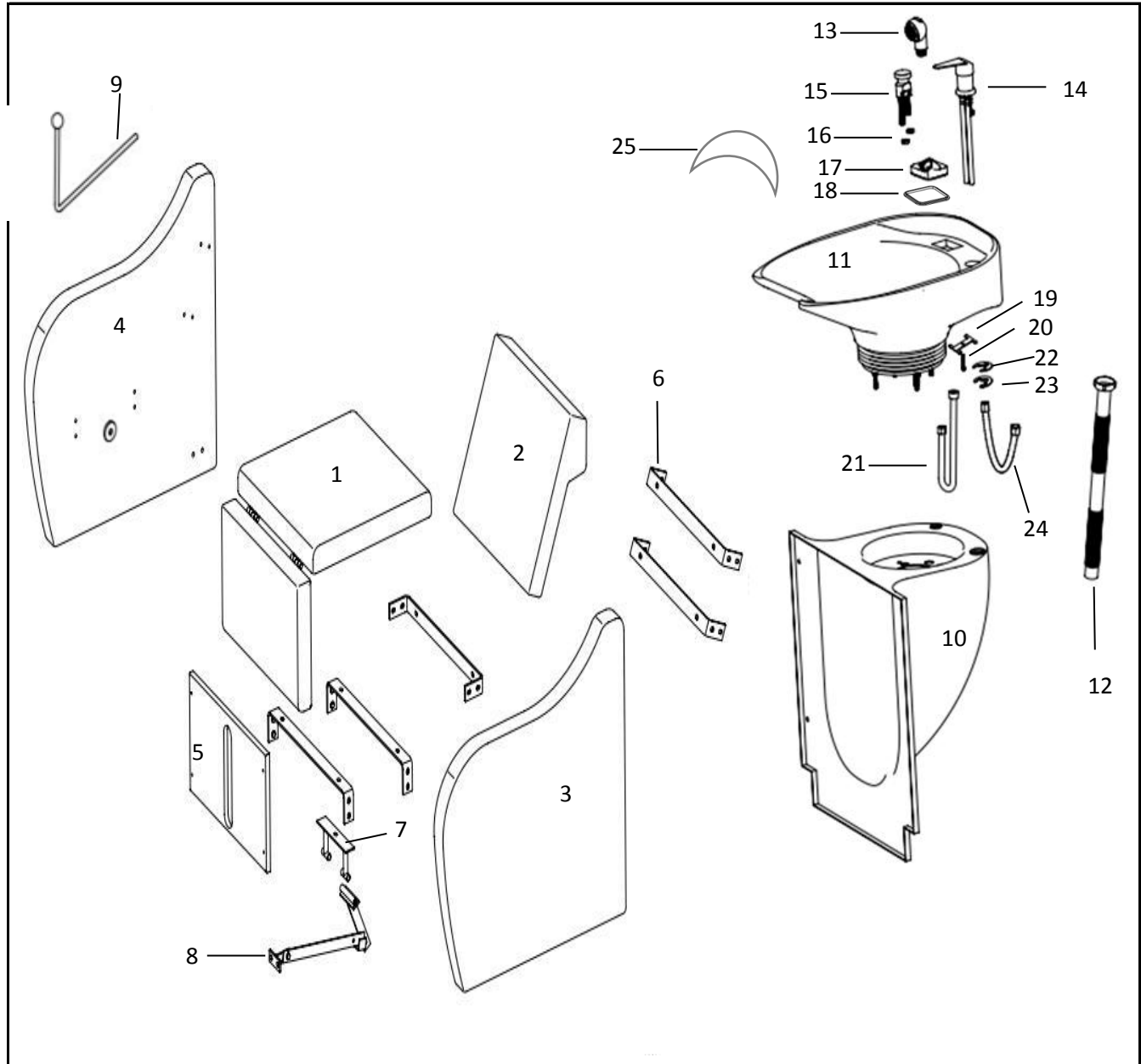
SAFETY



To reduce risk of injury when assembling & using the chair, follow these precautions:

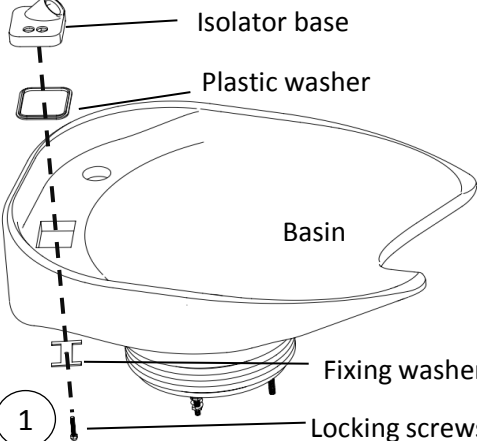
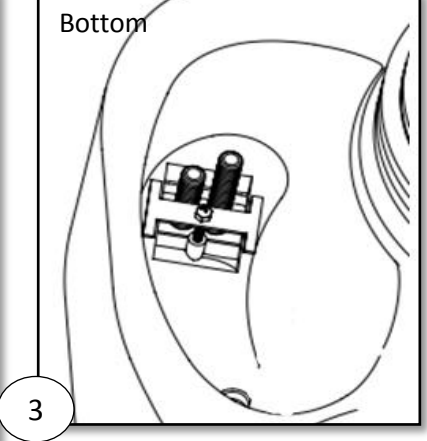
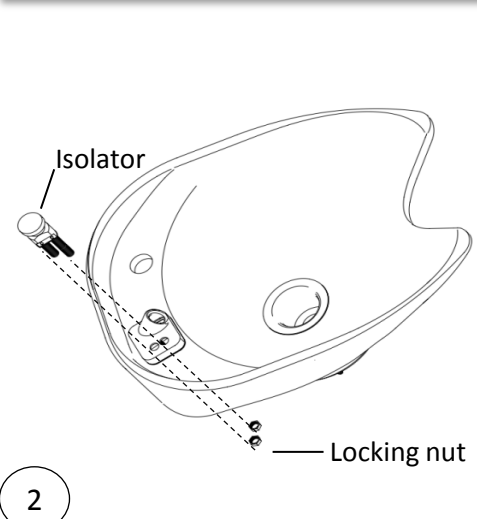
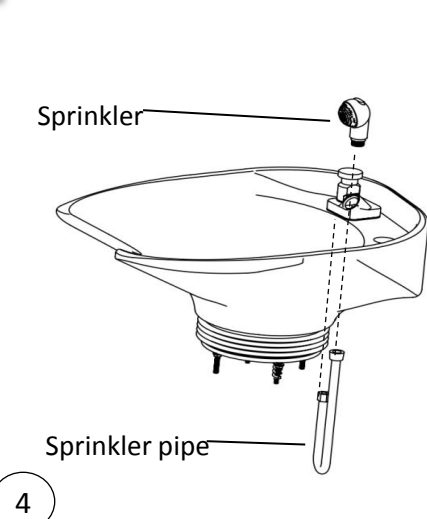
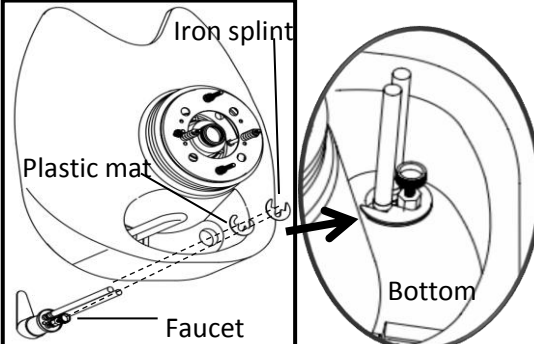
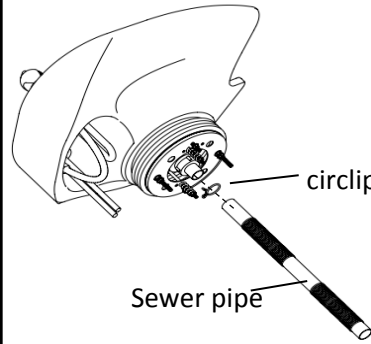
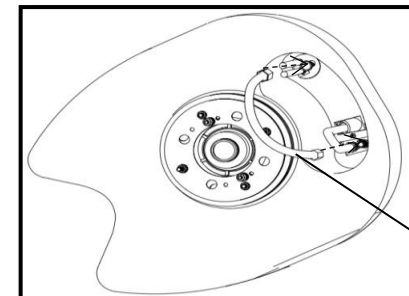
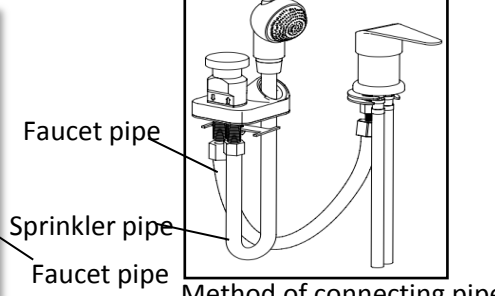
- Read all of these instructions before assembling and using your salon chair.
- It is helpful to have 2 people assemble and turn the chair upright after assembling.
- Do not over-extend the chair(0~150kg), creating the risk of falls or tipping the chair, and its occupant over, resulting in injury

PARTS & FEATURES



number	Picture	Part Name	Number	number	Picture	Part Name	Number
1		Seat cushion&leg-res	1	14		Faucet	1
2		Backrest	1	15		Isolator	1
3		Left handrest	1	16		Locking nut	2
4		Right handrest	1	17		Isolator base	1
5		Isolation board	1	18		Plastic washer	1
6		Handrail connector	5	19		Fixing washer	1
7		Reclining Level Connector	1	20		Locking screws	1
8		Stabilizer Bar	1	21		Sprinkler pipe	1
9		Reclining Lever	1	22		Iron splint	1
10		Basin support	1	23		Plastic mat	1
11		Basin	1	24		Faucet pipe	1
12		Sewer pipe	1	25		Neck-rest	1
13		Sprinkler	1	26		Screws	6

INSTALLATION INSTRUCTION

<p>First: Install the basin (1)</p>	 <p>Isolator base Plastic washer Basin Fixing washer Locking screws</p> <p style="text-align: center;">1</p>	 <p>Bottom</p> <p style="text-align: center;">3</p>
<p>Step 1 . Install Isolator base , Plastic washer , Fixing washer and Sprinkler pipe to the basin.</p> <p>Step 2 . Install Isolator and Locking nut to the basin.</p> <p>Step 3 . Install Sprinkler and Sprinkler pipe to the basin.</p> <p>Please follow up the diagram beside</p>	 <p>Isolator Locking nut</p> <p style="text-align: center;">2</p>	 <p>Sprinkler Sprinkler pipe</p> <p style="text-align: center;">4</p>
<p>Second : Install the basin(2)</p> <p>Step 1 . Install the faucet , plastic mat and iron splint to the basin.</p> <p>Step 2 . Install the faucet pipe to the faucet and isolator.</p> <p>Step 3 . Install the sewer pipe on bottom of the basin , then tighten it by circlip.</p> <p>Please follow up the diagram beside</p>	 <p>Iron splint Plastic mat Faucet Bottom</p>	 <p>circlip Sewer pipe</p>
		 <p>Faucet pipe Sprinkler pipe Faucet pipe Method of connecting pipe</p>

Third : Install handrests ,seat cushion&leg-rest , handrail connectors and

(Don't tighten all bolts)

Step 1 . Remove 4 bolts which pre-fixed on the seat cushion and Install 2 handrail connectors to the seat cushion&leg-rest by the 4 bolts .

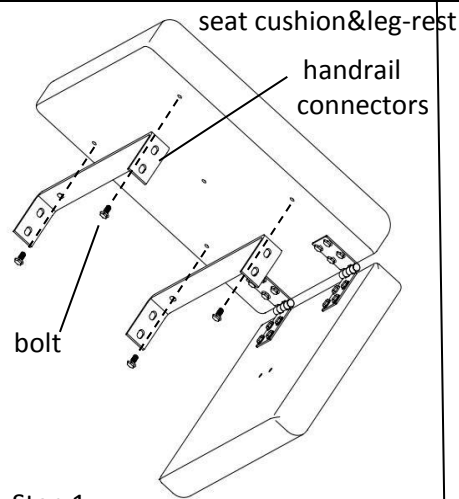
Step 2 . Install 2 handrail connectors to the backrest.

Step 3 . Install the backrest which installed 2 handrail connectors to the left handrest .

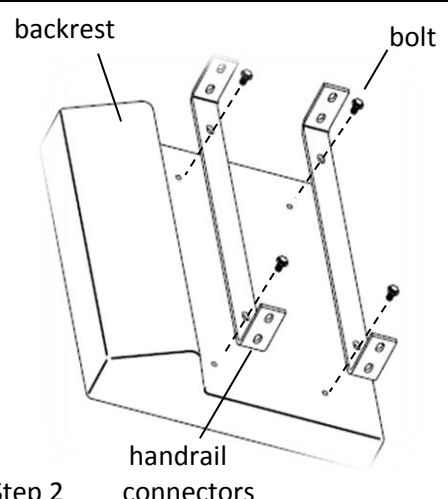
Step 4 .Install the backrest which installed 2 handrail connectors to the left handrest . Step 5 .Install the seat cushion&leg-rest which installed 2 handrail connectors and the last handrail connector to the left handrest .

Step 5 . Install right handrest .

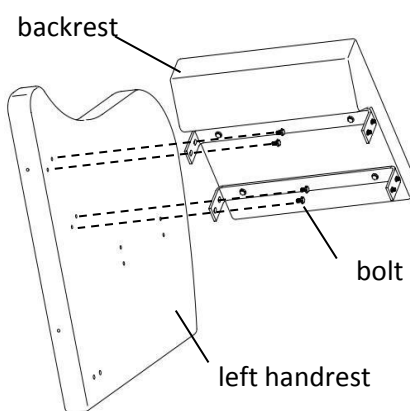
Please follow up the diagram beside.



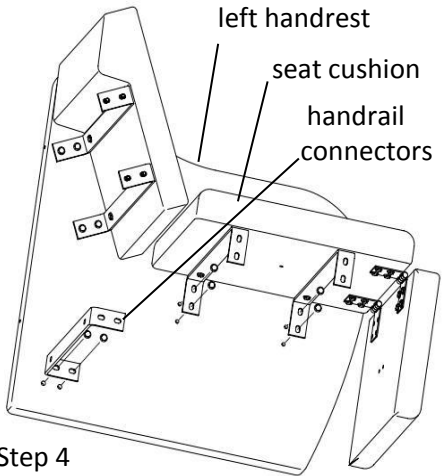
Step 1



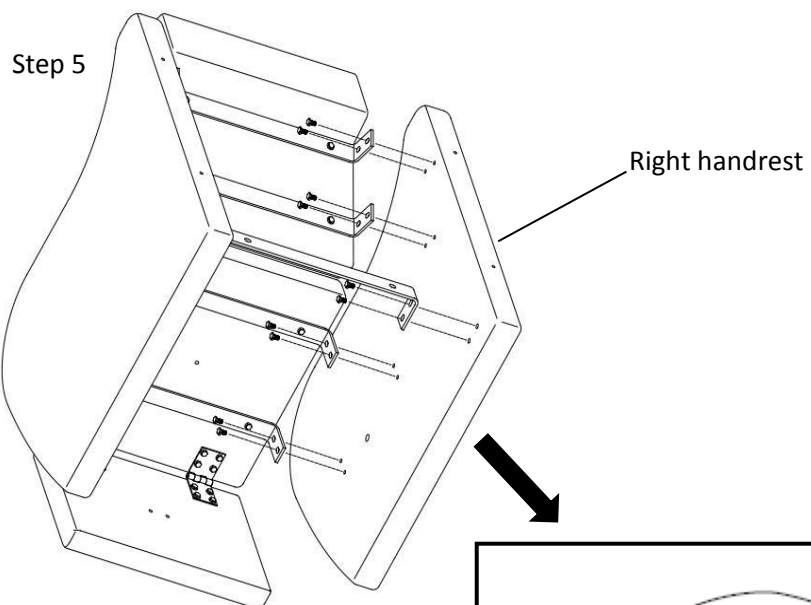
Step 2



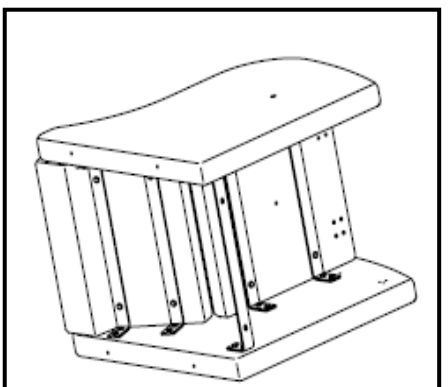
Step 3



Step 4



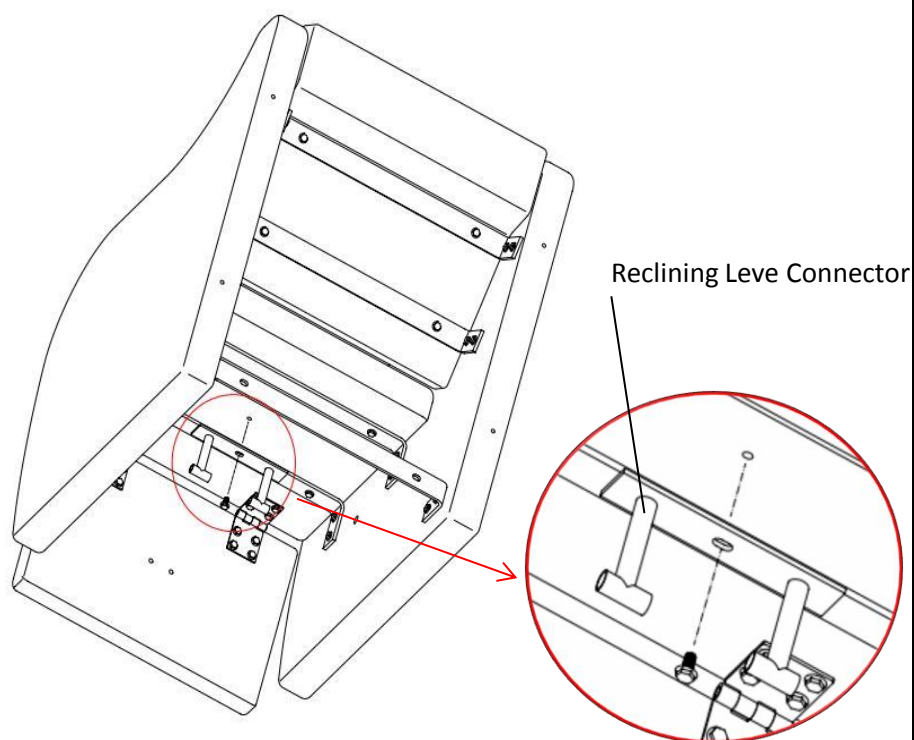
Step 5



**Fourth : Install Reclining
Leve Connector**

Step 1 . Remove the bolt
which pre-fixed on the bottom
of the seat cushion and Install
Reclining Leve Connector to
the bottom of seat cushion by
the bolt .

**Please follow up the diagram
beside.**

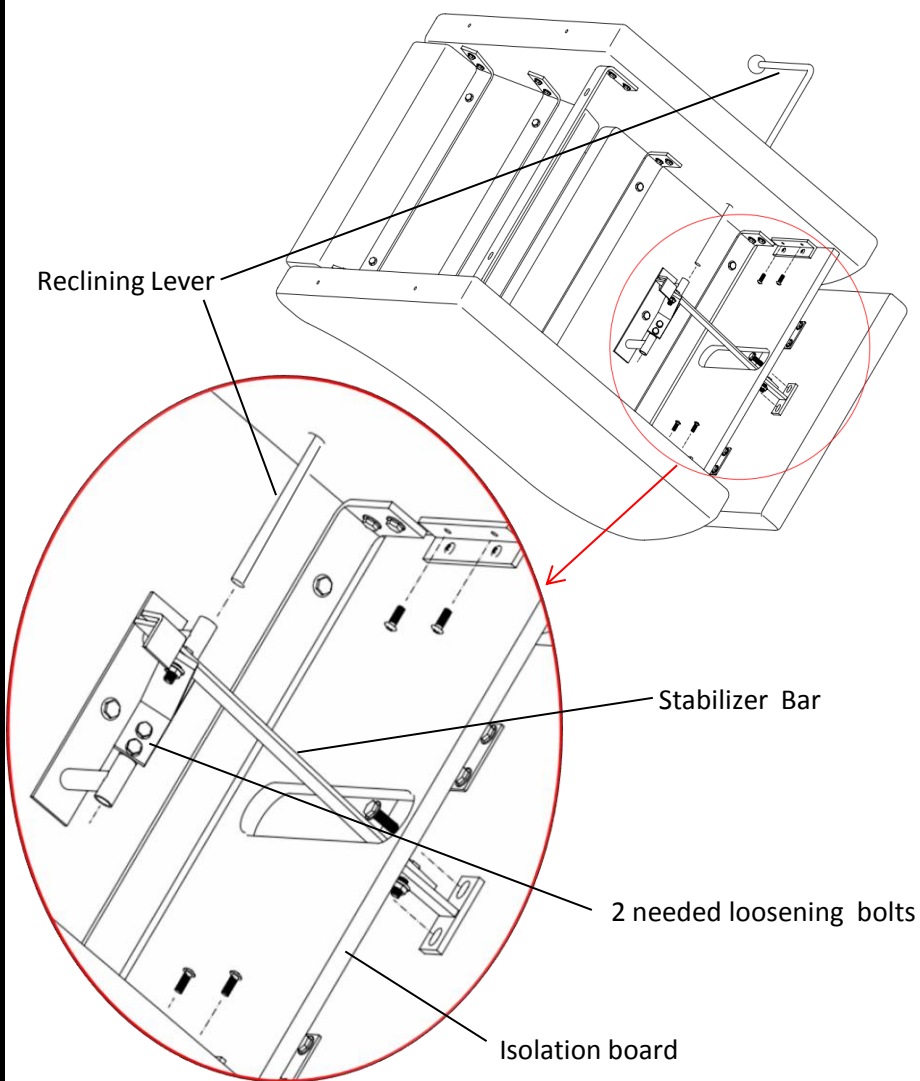


**Fifth : Install Stabilizer Bar
,Isolation board and
Reclining Lever**

Step 1 . Remove the 4 bolts
which pre-fixed on the
handrests and loosen the 2
bolts which pre-fixed on the
side of Stabilizer Bar and
remove the 2bolts which pre-
fixed on the leg-rest. Step
2 . Insert Stabilizer Bar
through the hole of Isolation
board.

Step 3 . Insert the
Reclining Lever through the
hole of right handrest into
Reclining Leve Connector
and Stabilizer Bar,then
tighten the 2 loosened bolts.
Step 4 . Please follow up the
diagram beside , tighten All
bolts .

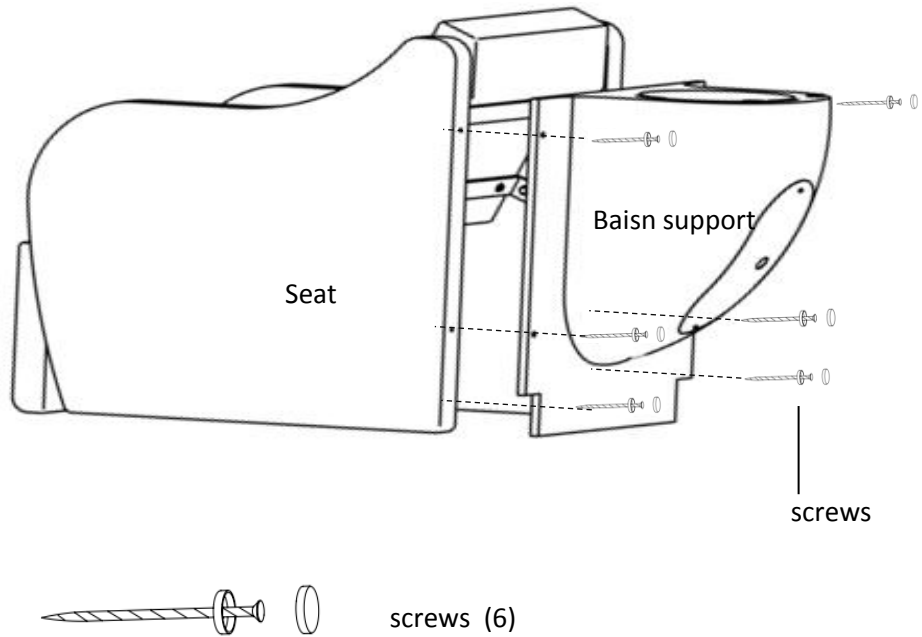
**Adjusting and make sure all
parts of the seat are OK and**



Sixth : Install basin support to the seat

Step 1 . Install the basin support to the seat by the 6 screws.

Please follow up the diagram beside.



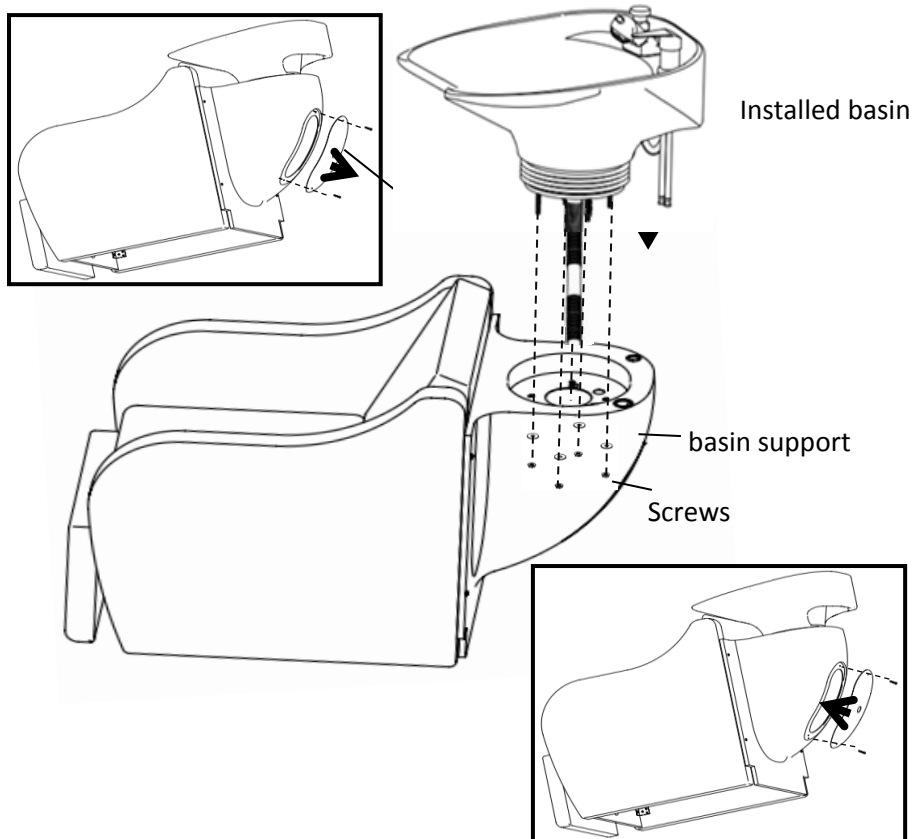
Fourth : Install the installed basin to the installed seat & basin support

Step 1 . Remove the cover of the basin support and remove the screws which pre-fixed on bottom of the basin

Step 2 . Install the basin to the basin support by the given screws.

Step 3 . Install the removed cover of basin support .

Please follow up the diagram beside.



OPERATING THE CHAIR

Recline the Legrest

- Push Lever on side of chair back to allow the legrest of the seat to raise up.
- Pull lever forward to allow the legrest to lower down.

