

# POLY & BARK

Assembly Instructions

## Savannah Dining Table

V2.03.31.20 | ITEM# DI-543



Assembly Instructions

# Savannah Dining Table

## ASSEMBLY REQUIREMENT

**2 PERSON ASSEMBLY | 30 MINUTES ASSEMBLY TIME (APPROXIMATE)**

**TOOLS REQUIRED: ALLEN WRENCH (PROVIDED), SPANNER WRENCH (PROVIDED)**

## ASSEMBLY PREPARATION

1. Remove all packaging materials, staples and packing straps from the carton.
2. Refer to Parts Checklist and ensure they are complete before you start assembling.
3. Place all components on a clean, flat and soft surface (e.g. carpet or rug) to prevent parts from getting scratched.

## TIPS FOR ASSEMBLY

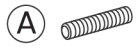
1. Allow ample room for assembly and in close proximity to where product will be placed.
2. Assemble the product on a surface that does not scratch or damage the exterior and finish of the furniture.
3. During assembly, do not over-tighten any fittings as this may cause damage.
4. **DO NOT USE POWER TOOLS TO ASSEMBLE THIS PRODUCT.**
5. Do not sit or stand on the partially assembled product, only use the product for which it is intended.

## CARE AND USE

- Recommended for indoor and residential use only.
- Please exercise caution when placing food or drinks on the surface. Use of a coaster or placemat is highly recommended to avoid damage to surface.
- Wipe with a soft, dry cloth. Do not use harsh abrasives or household cleaners as they may damage the finish.
- Check all the fittings periodically and re-tighten as necessary. Do not use the product if any of the parts is damaged or broken.
- Never allow any kind of liquid to remain on your furniture. Absorption can cause surface to warp or delaminate.
- Do not place hot items (e.g. hot drinks) directly onto the surface.
- Do not drag and/or pull the furniture.

**SAFETY PRECAUTIONS: 1. KEEP ALL HARDWARE PARTS OUT OF REACH OF CHILDREN. 2. DISPOSE PLASTIC PACKAGING MATERIAL IMMEDIATELY TO AVOID ANY RISK OF SUFFOCATION TO CHILDREN AND ANIMALS.**

## PARTS CHECKLIST



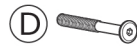
X4 M8 Bolts



X4 Rectangle Washers



X4 Nuts



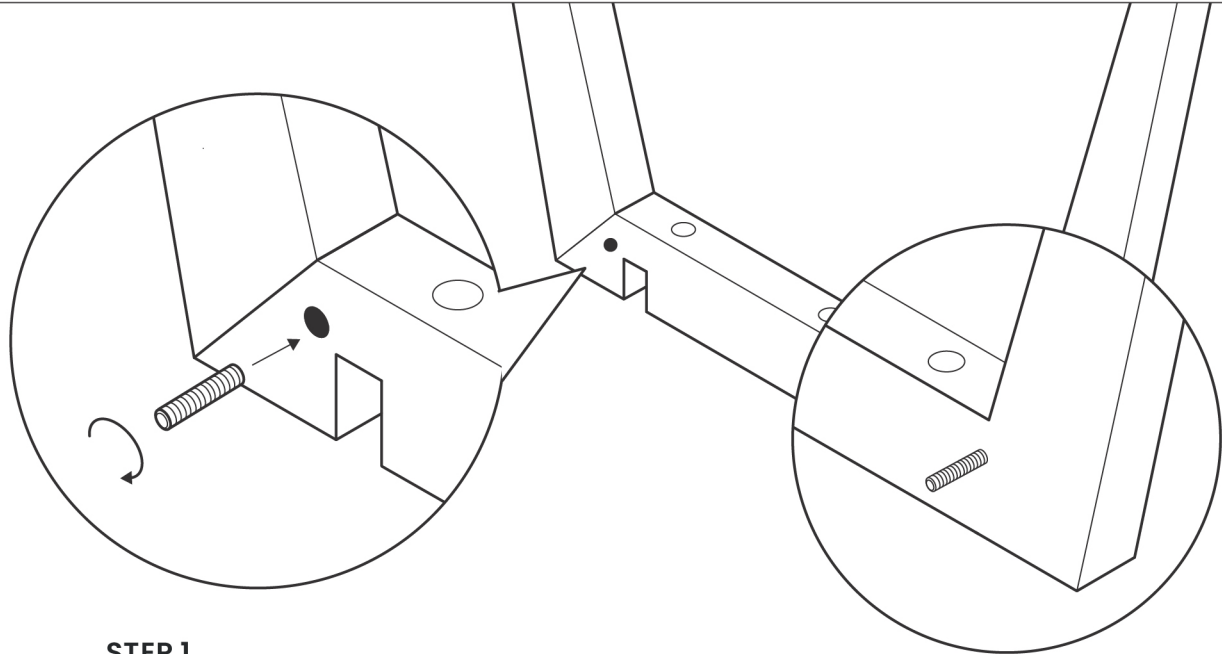
X8 70mm Screws



X8 Crush Washers

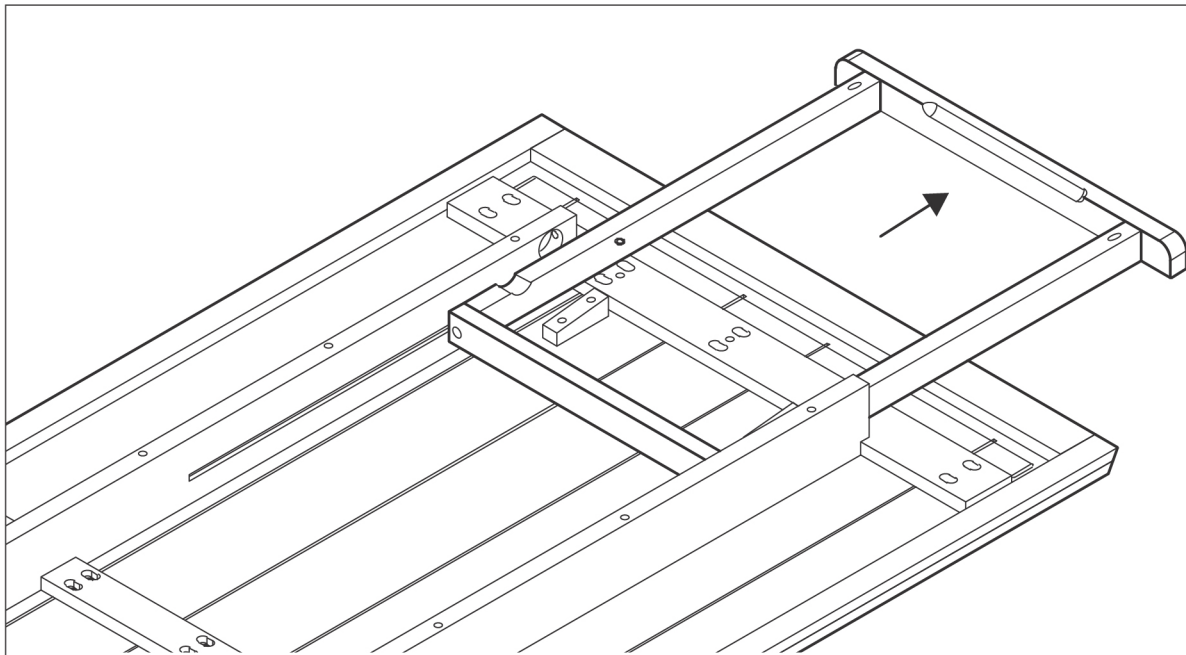


X8 Washers



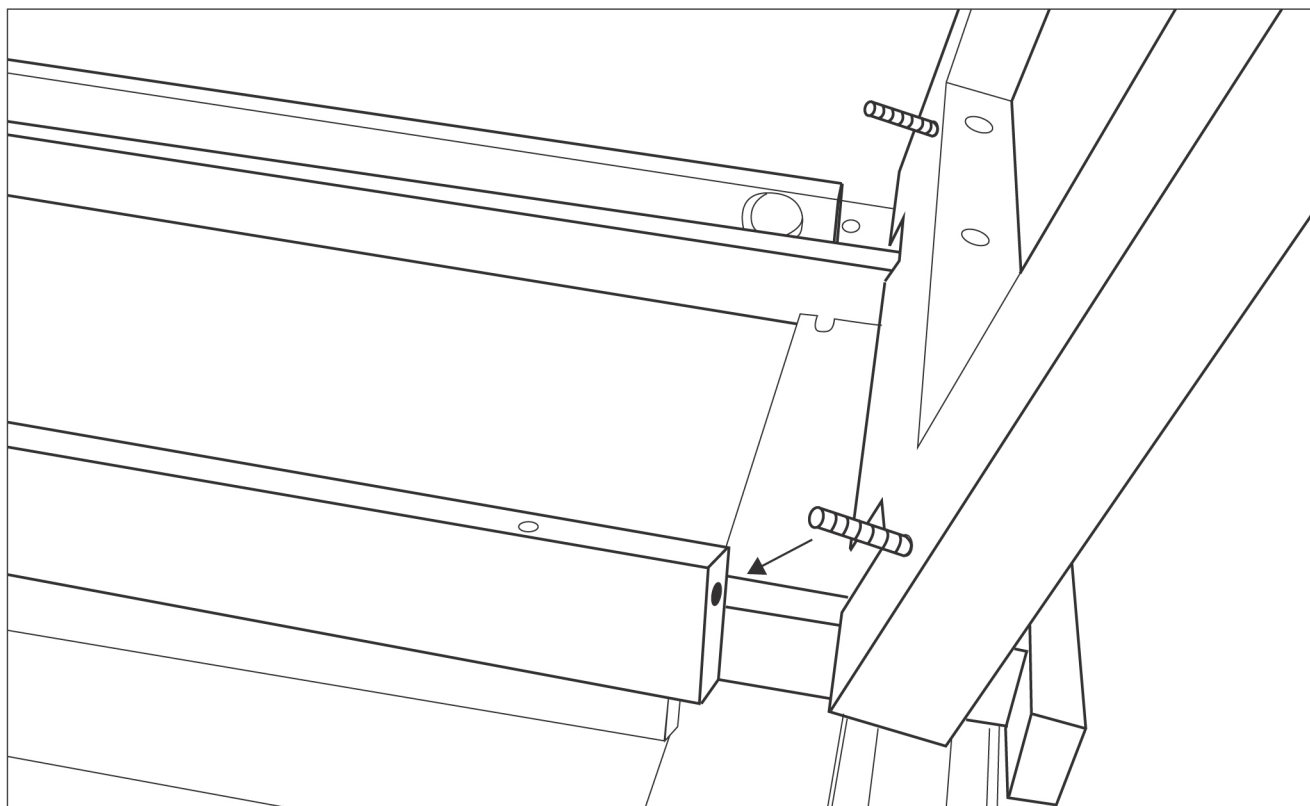
### STEP 1.

Insert Bolts **A** into upper holes as shown above, hand tightening.



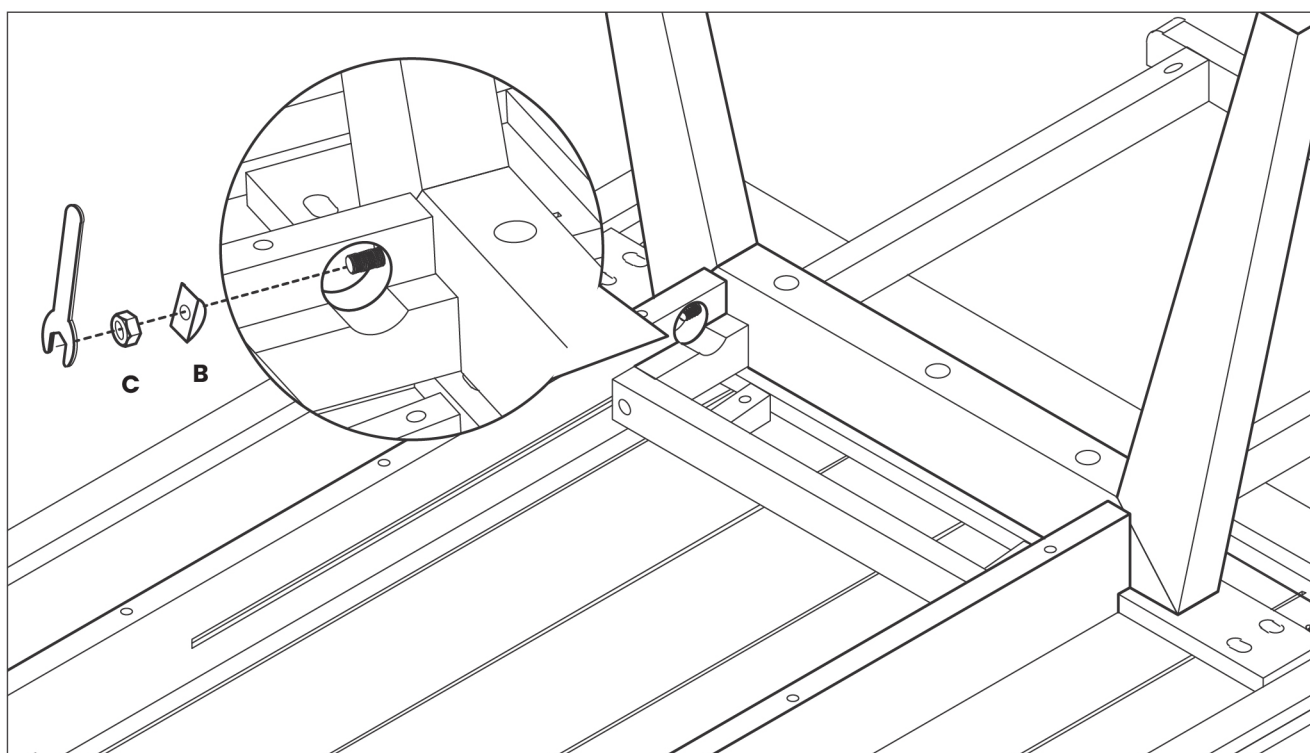
### STEP 2.

With another person pull out the table top extension.



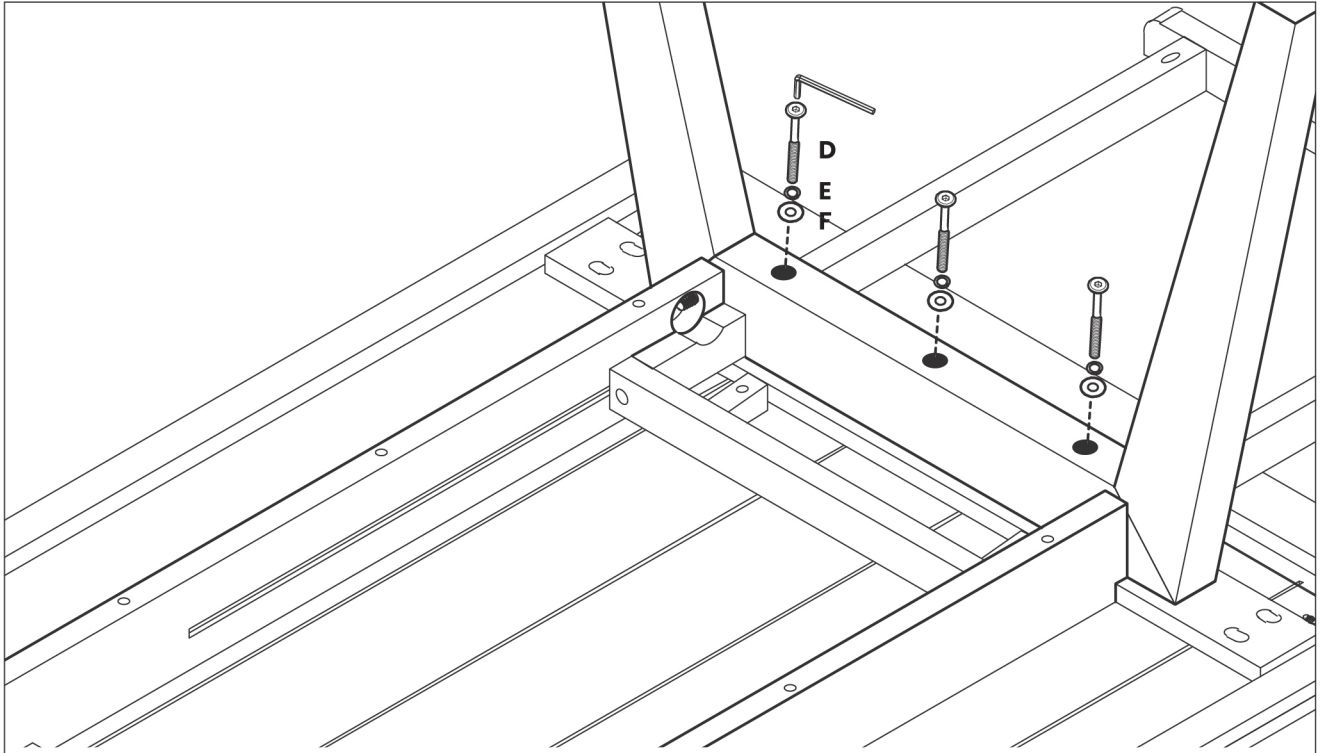
**STEP 3.**

Insert legs over the table top extension to the table apron as shown. Insert Bolts and Dowels into holes as shown.



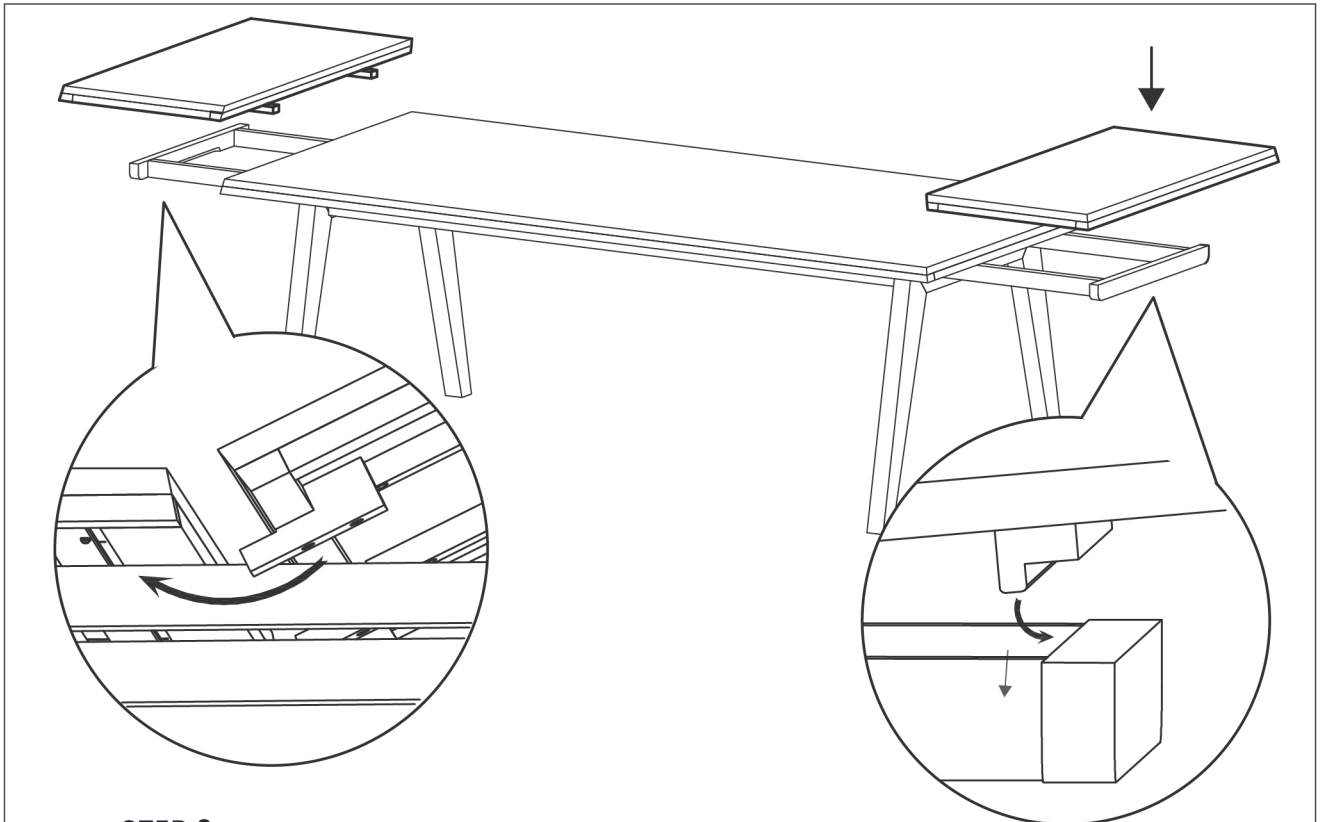
**STEP 4.**

Pull out extension runners until the rounded indentations align with the holes on the apron as shown above. Attach Rectangle Washer **B** and Nut **C**, hand tightening and finishing with Spanner. Ensure the legs are tightly secure.



**STEP 5.**

Secure the legs to table top using Bolt **D**, Crush Washer **E** and Washer **F** hand tightening screws and finishing with Allen Wrench. Ensure the legs are tightly secure.



**STEP 6.**

Insert the table leaf on the table top extension at an angle. Cook up your favorite meal (now that you have somewhere to put it, obviously with placemats), invite over your friends and family and enjoy!

## Missing something?

We work very hard to ship a perfect product, but sometimes furniture or hardware go missing or get damaged in transit.

Please contact us and we'll quickly make it right.



Need some help? Our support team is here for you.

 [help@polyandbark.com](mailto:help@polyandbark.com)  1 (855) 310-1450  [polyandbark.com](https://polyandbark.com)