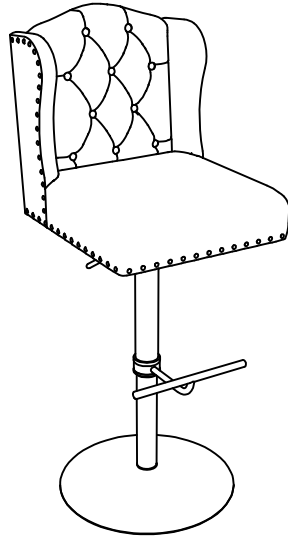
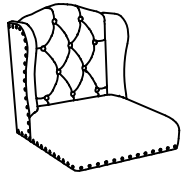
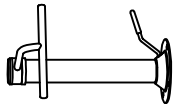
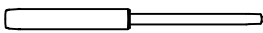



# ASSEMBLY INSTRUCTION

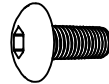

Bar chair  
TN-5681



## Component List

LABEL		DESCRIPTION	QTY
A		Seat	1
B		Foot rest	1
C		Gas lift	1
D		Base	1

## Hardware List

LABEL		DESCRIPTION	QTY
H1		Bolts M6×16mm	4
H2		Allen key M6	1

