



# HEADBOARD

## ASSEMBLY INSTRUCTIONS

Before assembling your headboard, please read through these instructions carefully and familiarize yourself with the different parts.

### PARTS LIST

- ① HEADBOARD PANEL 1 PC
- ② LEFT LEG 1 PC
- ③ RIGHT LEG 1 PC
- ④ SPACER BLOCK 2 PCS
- ⑤ PACKING STICK 2 PCS

Instructions apply for bed sizes  
TWIN > FULL

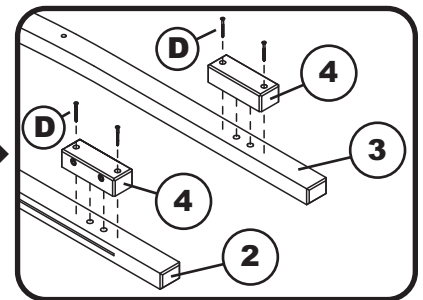
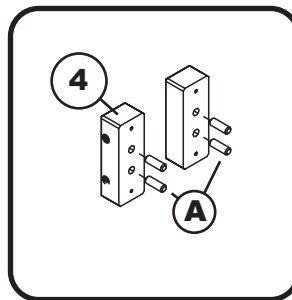
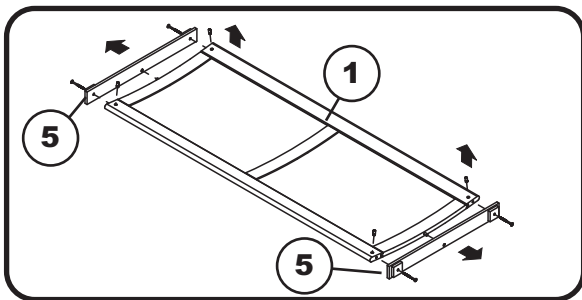
### HARDWARE

- |  |  |                                      |                                      |  |                                       |  |
|--|--|--------------------------------------|--------------------------------------|--|---------------------------------------|--|
| ① Wooden dowel - 4 pcs<br>Spare - 1 pc | ② JCB M6 X 70mm (2 3/4") - 4 pcs<br>Spare - 1 pc | ③ Barrel nut - 4 pcs<br>Spare - 1 pc | ④ Wood screw - 4 pcs<br>Spare - 1 pc | ⑤ JCB M6 X 25mm (1") - 4 pcs<br>Spare - 1 pc | ⑥ Flat washer - 4 pcs<br>Spare - 1 pc | ⑦ Split washer - 4 pcs<br>Spare - 1 pc |
| ⑧ Allen wrench - 1 pc<br>Spare - 1 pc  | HARDWARE FOR METAL BED FRAME                     |                                      |                                      |  |                                       |  |

NOTE: WE INCLUDE SPARE HARDWARE IN CASE DAMAGE OCCURS DURING ASSEMBLY.

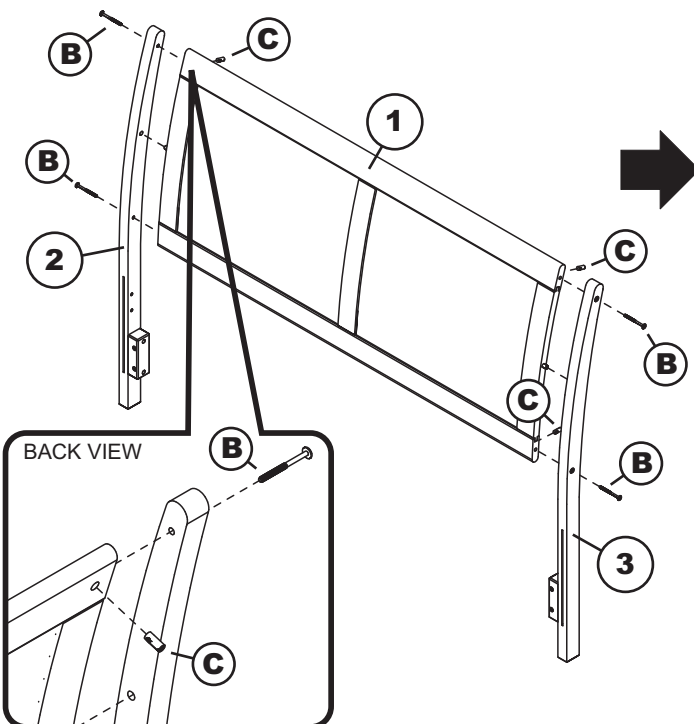
### Step 1

Remove packing stick (5) from headboard panel (1) and **DISCARD**. Insert wooden dowels (A) to the locator holes on spacer block (4). Attach the spacer blocks (4) to the legs (2) and (3), using wood screws (D), as shown below. Tighten with Phillips screwdriver. (customer supplied)



### Step 2

Attach the legs (2) and (3) to the headboard panel (1), using JCB (B) and barrel nut (C). Tighten with the Allen wrench (H).



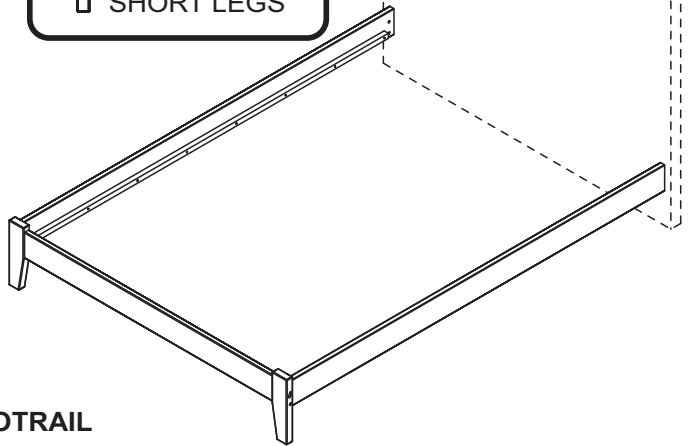
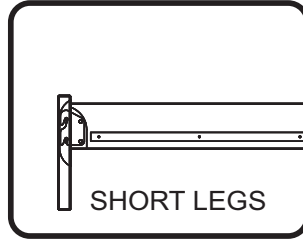
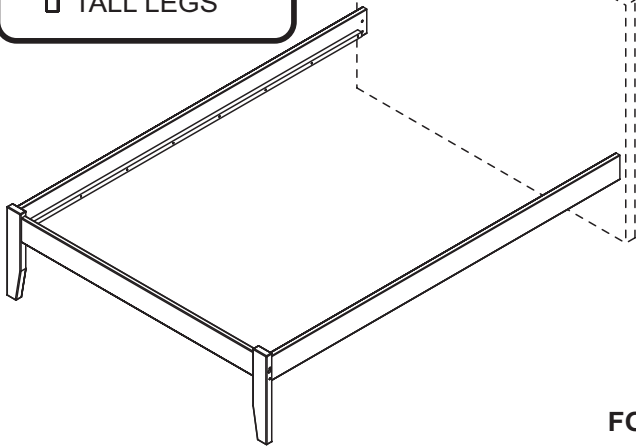
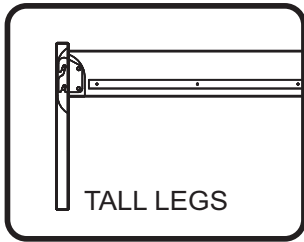
PO:

If you purchased a wood headboard to attach to metal bed frame, please refer to page 3.



# WOOD BED FRAME

Your Atlantic bed can be assembled using an open footrail or panel footboard.  
The open footrail has a choice of tall or short legs.



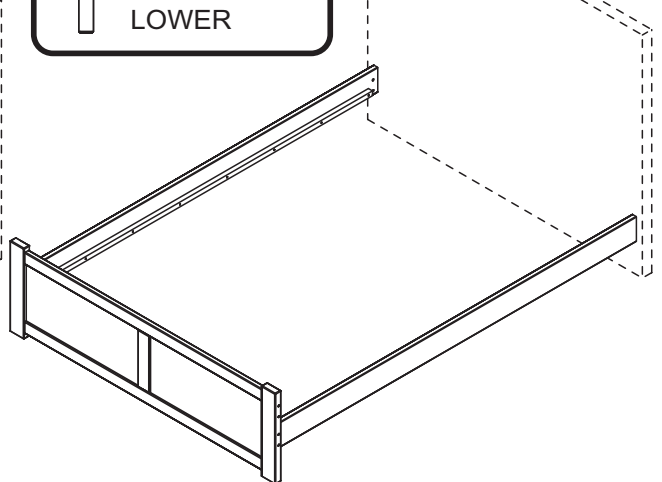
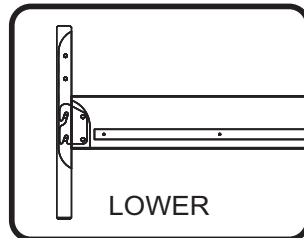
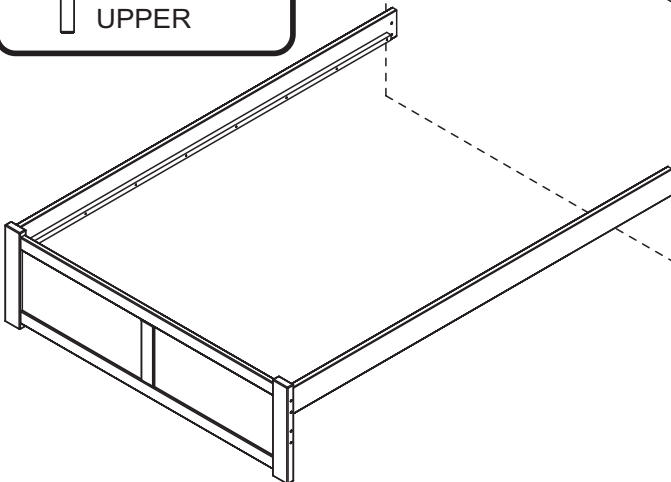
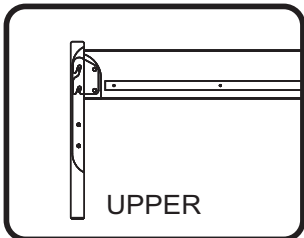
## FOOTRAIL

Storage drawers, Trundle bed or mattress only use TALL LEGS.

Foundation and mattress use SHORT LEGS.



The side rails can be attached to either the upper set of pins or lower set of pins.



## PANEL FOOTBOARD

Storage drawers, Trundle bed or mattress only use UPPER PINS.

Foundation and mattress use LOWER PINS.



## ATTACHING HEADBOARD TO METAL BED FRAME

### ASSEMBLY INSTRUCTIONS

Before assembling your bed, please read through these instructions carefully and familiarize yourself with the different parts.

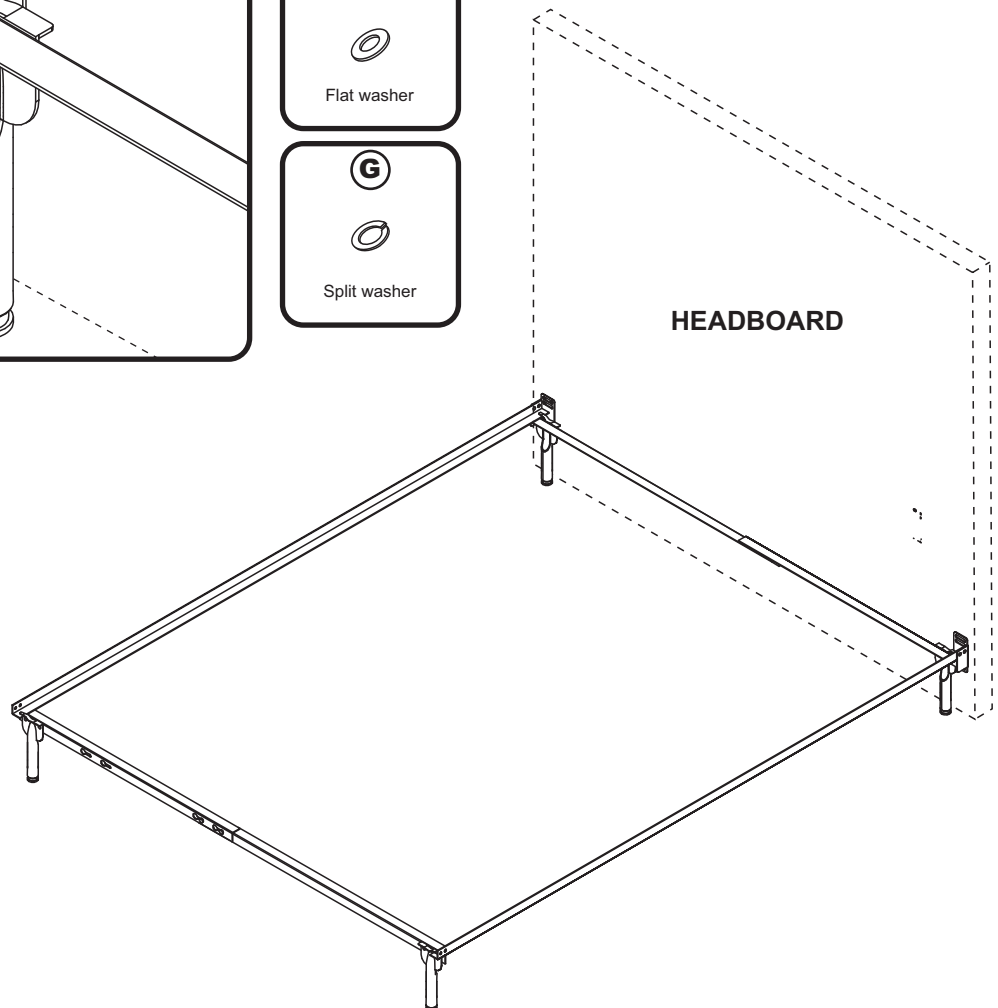
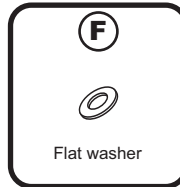
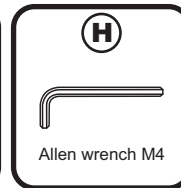
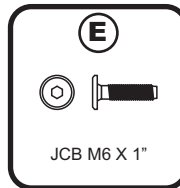
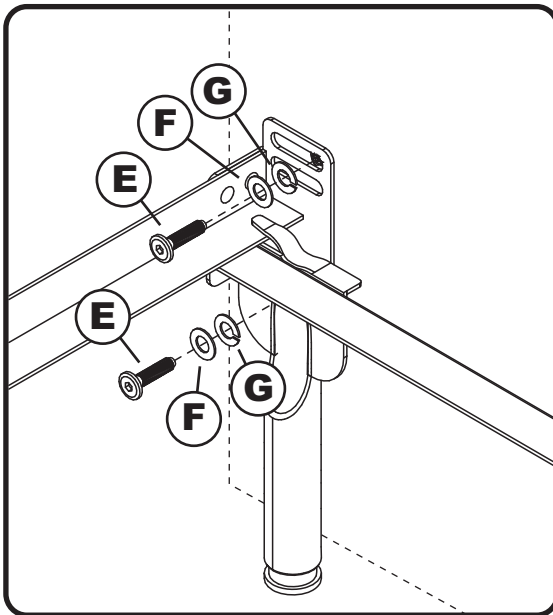
Instructions apply for bed sizes  
**Twin > Full**



Metal bed frames are sold separately from wood headboards. The hardware shown on this page is supplied with your Atlantic wood headboard for attaching the bed frame to the headboard. The metal bed frame is supplied with its own assembly instructions and hardware.

#### Step 1

Attach the headboard assembly to the metal frame using JCB (E), flat washer (F), and split washer (G) then tighten with Allen wrench (H), as shown below.



### Congratulations!

Your bed is now ready for use.

To ensure lasting safety, we recommend that you periodically check that all screws are tight and all parts are secure.