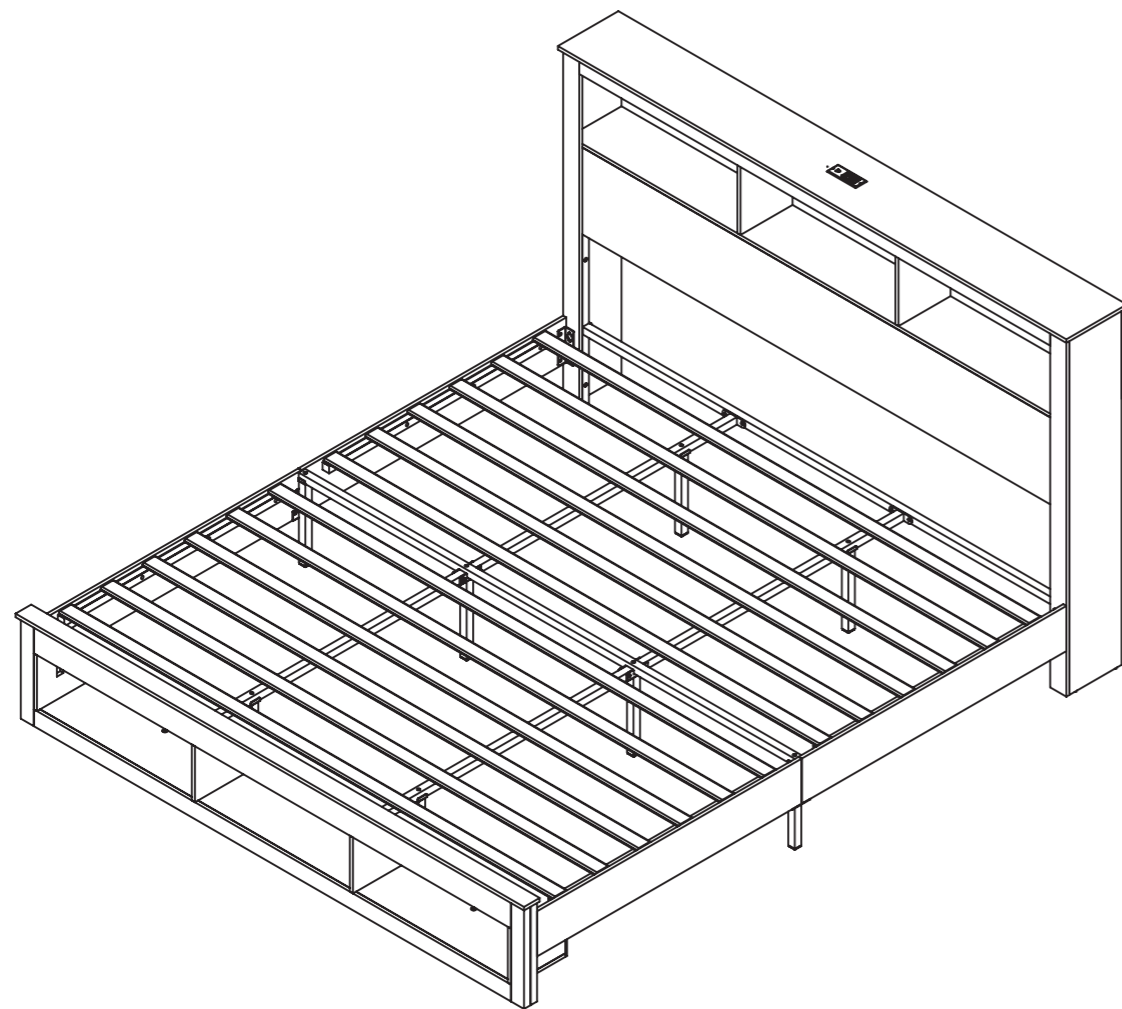


Storage Platform Bed Assembly Instructions



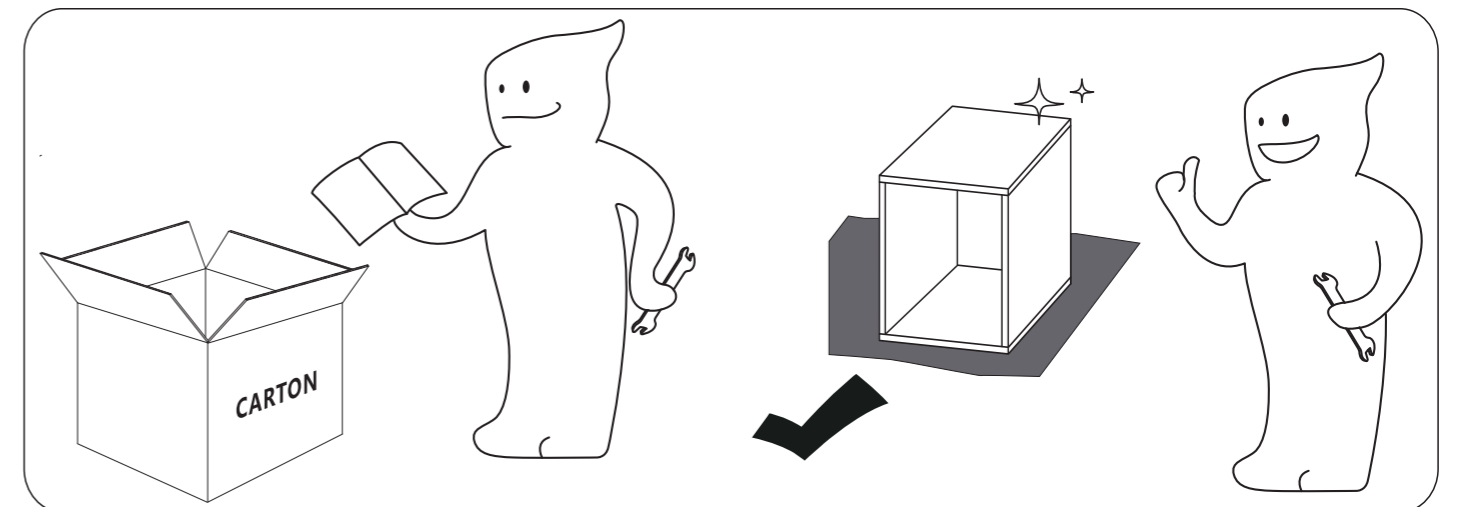
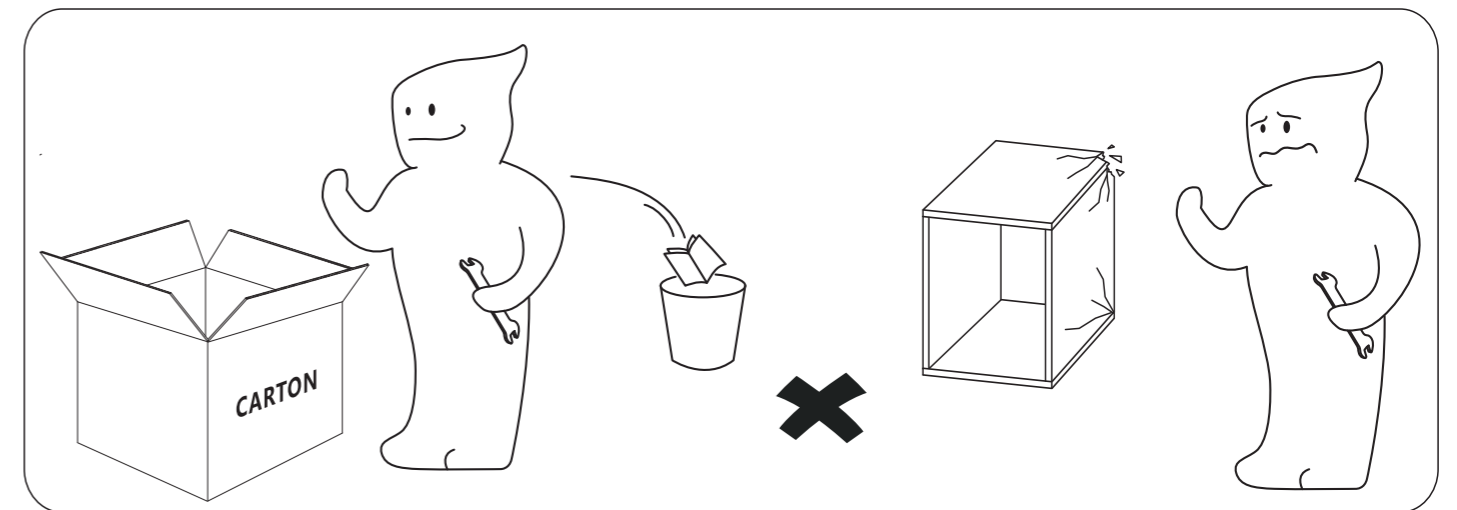
Dear Customers,

Thank you for purchasing our product. Please read this instruction manual carefully after receiving this product. It will help you assemble this product quickly, safely and correctly. You can keep this manual for future reference.

MADE IN CHINA



Please follow the instruction manuals and use a pad to protect the product during your assembly.



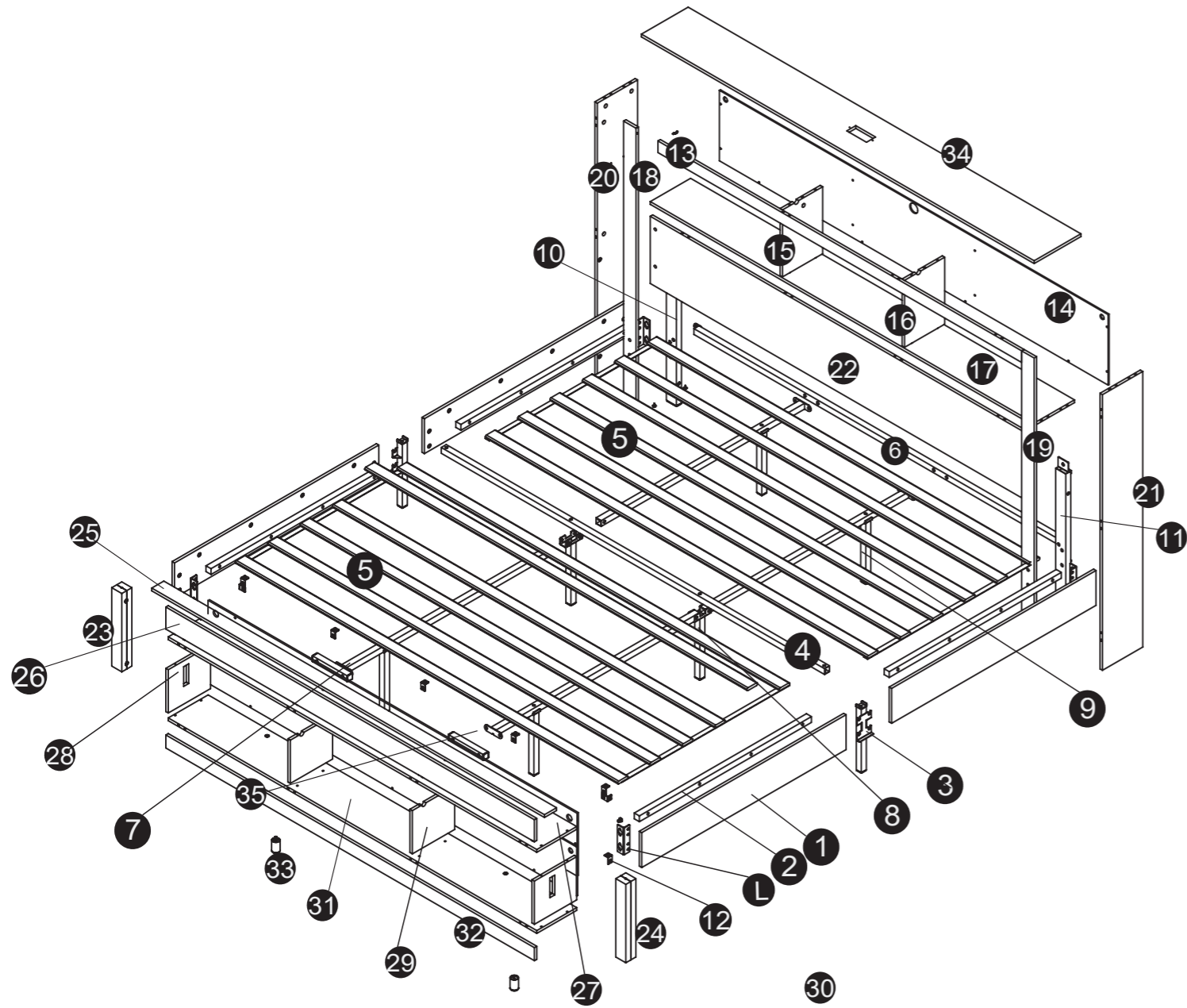
Note:

- 1. Should be assembled on flat ground to keep balance.
- 2. Before completing the installation, do not tighten the screws.



For easier and better assembly, 2 or more adults are required.

ASSEMBLY INSTRUCTIONS



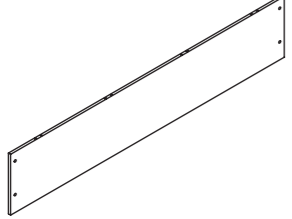


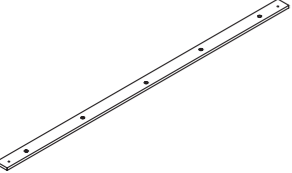
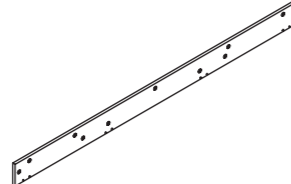
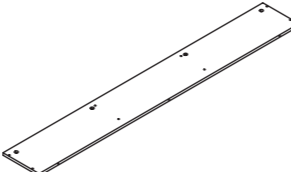
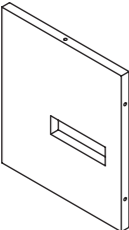
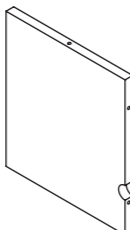
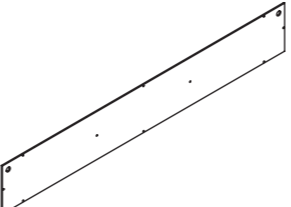
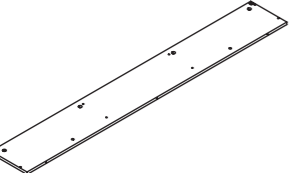
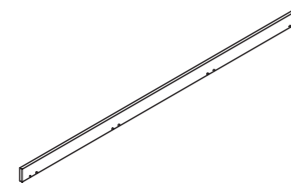
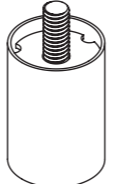
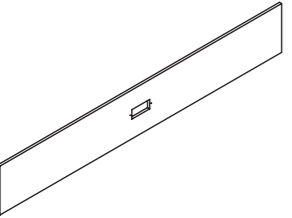
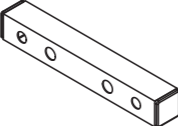
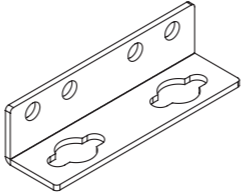
ASSEMBLY INSTRUCTIONS

PARTS LIST

1 4PCS	2 4PCS	3 2PCS
4 1PC	5 2PCS	6 1PC
7 4PCS	8 2PCS	9 4PCS
10 NUT 1PC	11 NUT 1PC	12 9PCS
13 1PC	14 1PC	15 1PC
16 1PC	17 1PC	18 1PC
19 1PC	20 1PC	21 1PC



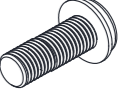




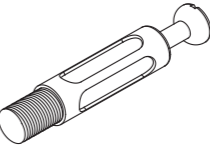
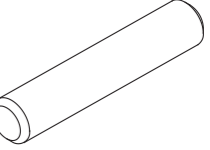
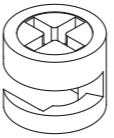
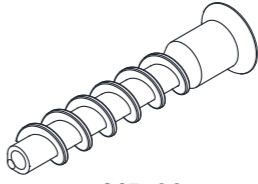
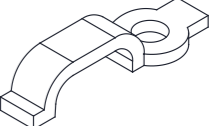

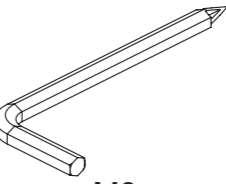
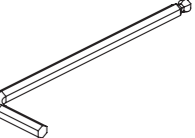
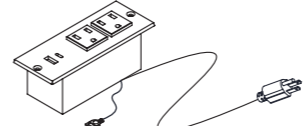


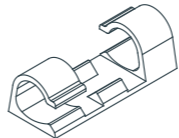
ASSEMBLY INSTRUCTIONS

PARTS LIST

22  1PC	23  1PC	24  1PC
25  1PC	26  1PC	27  1PC
28  2PCS	29  2PCS	30  1PC
31  1PC	32  1PC	33  2PCS
34  1PC	35  2PCS	L  4PCS

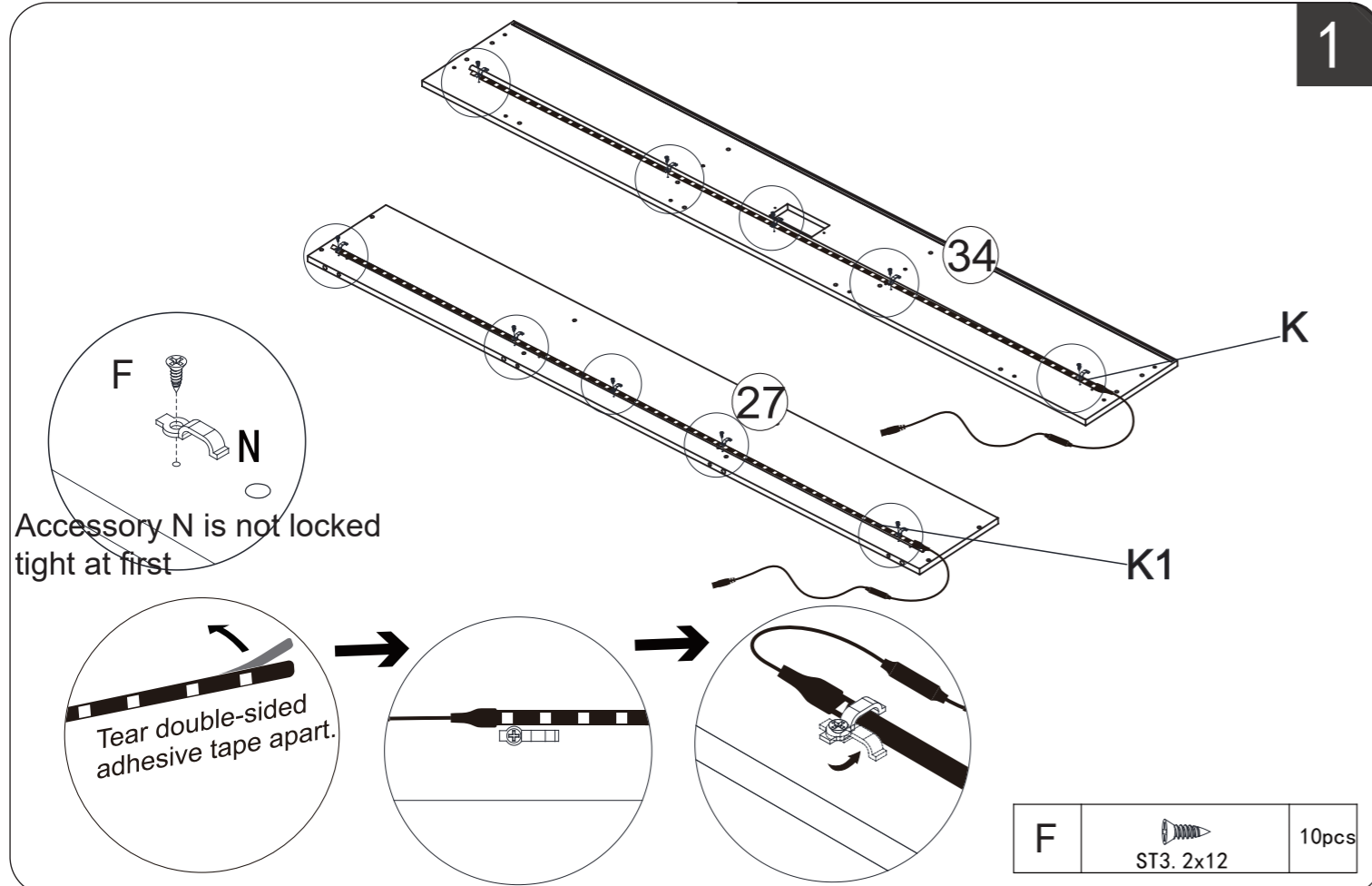
ASSEMBLY INSTRUCTIONS

PARTS LIST

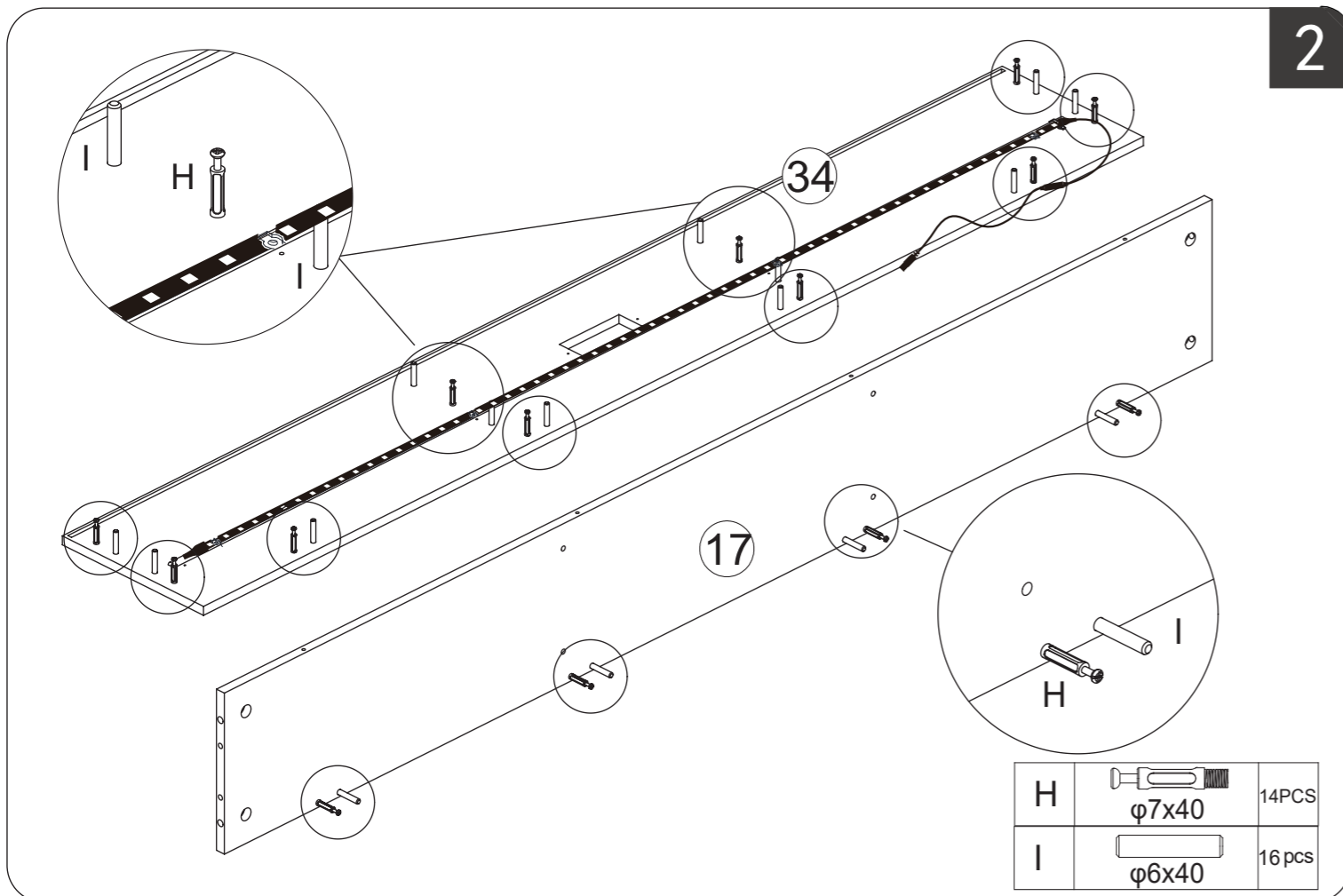
A  M8x12 32PCS	B  M8x20 22PCS	C  M8x33 26PCS
D  M8x45 10PCS	E  M8x60 4PCS	F  ST3.2x12 10PCS
G  ST4.2x12 2PCS	H  φ7x40 34PCS	I  φ6x40 36PCS
J  φ15x9.5 34PCS	M  M5x30 42PCS	N  10PCS
O  M5 1PC	P  M8 1PC	Q  M8 1PC
U  1PC	K  long 1PC	K1  short 1PC
R  4PCS		

ASSEMBLY INSTRUCTIONS

1

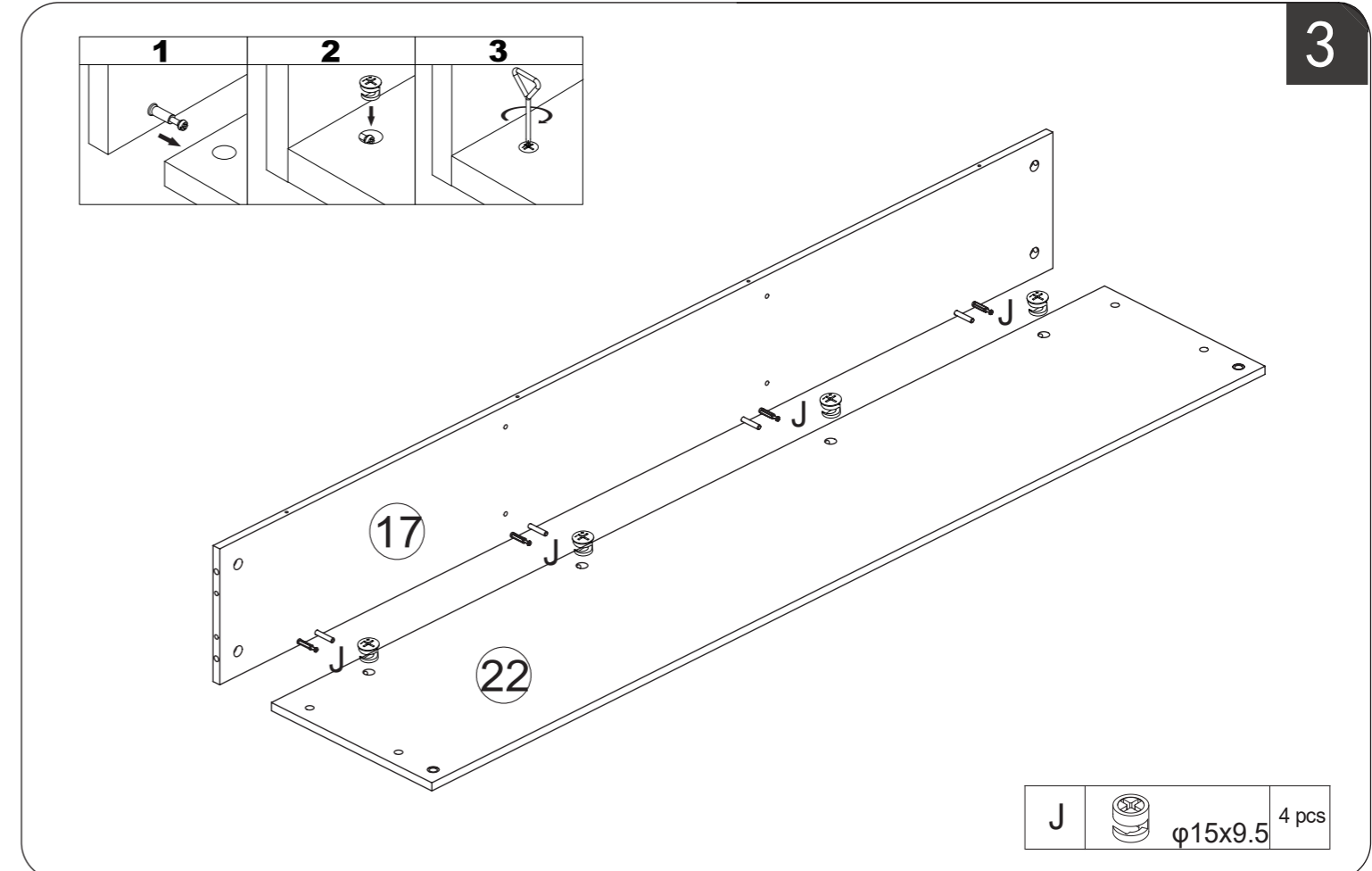


2

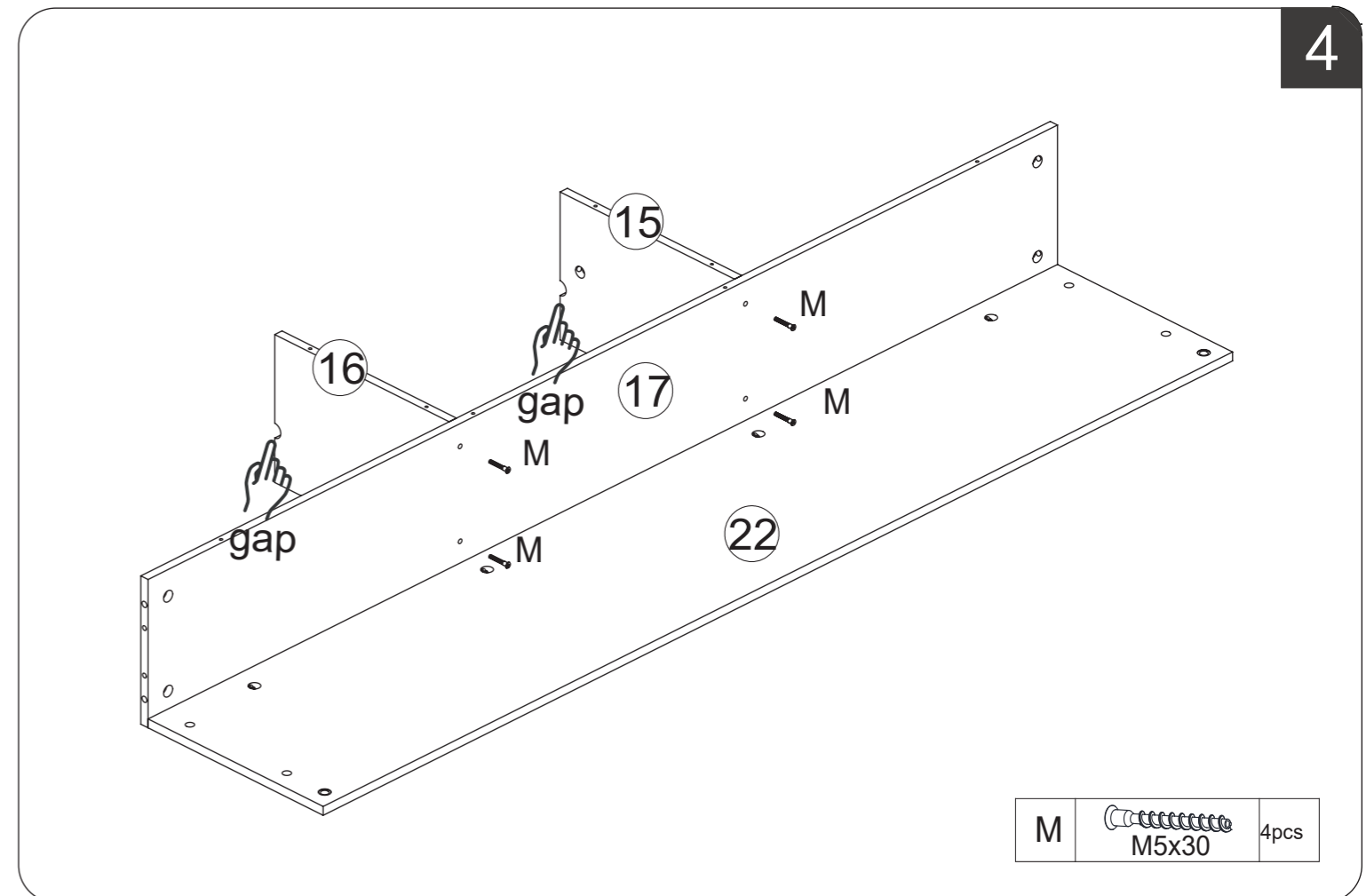


ASSEMBLY INSTRUCTIONS

3

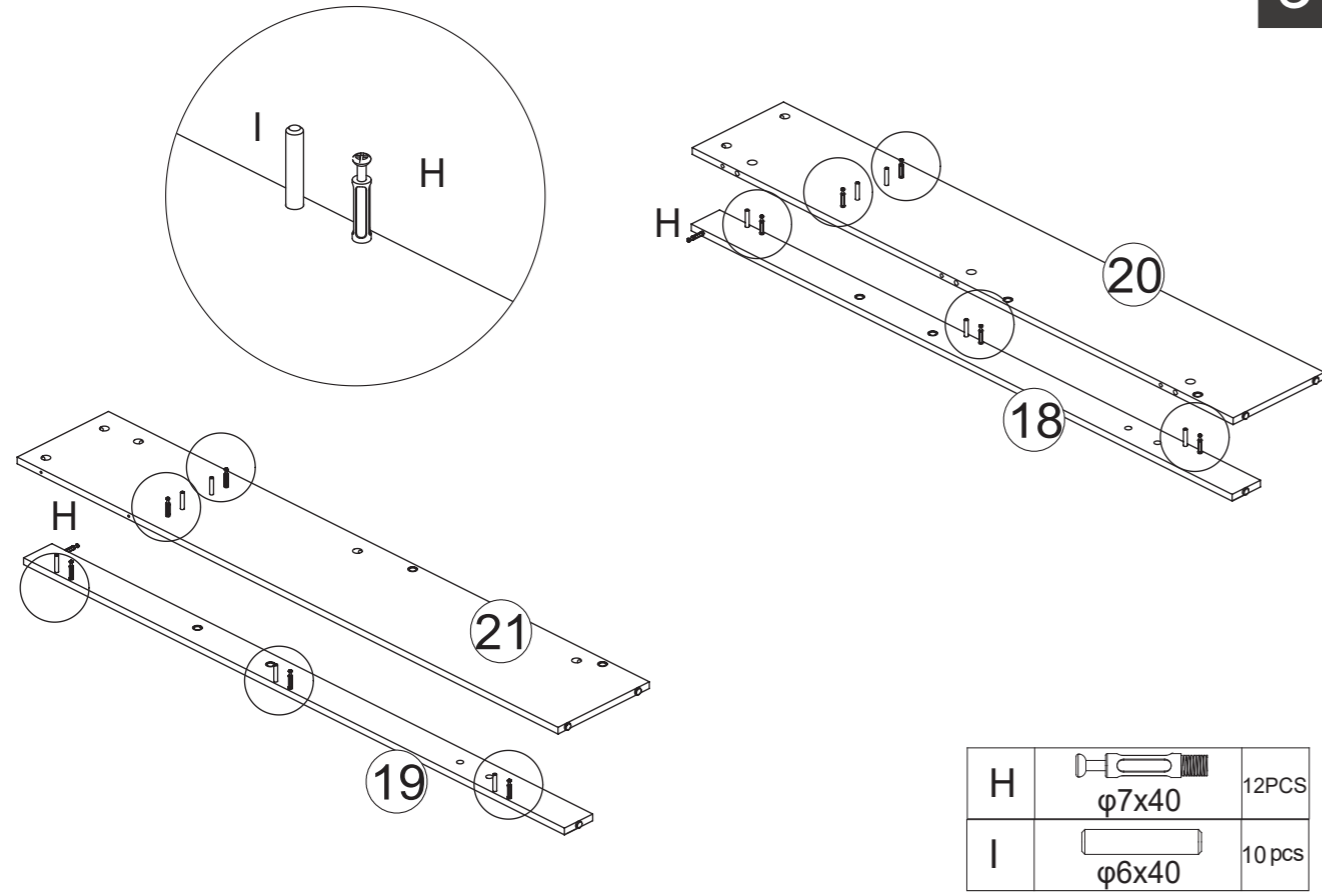


4



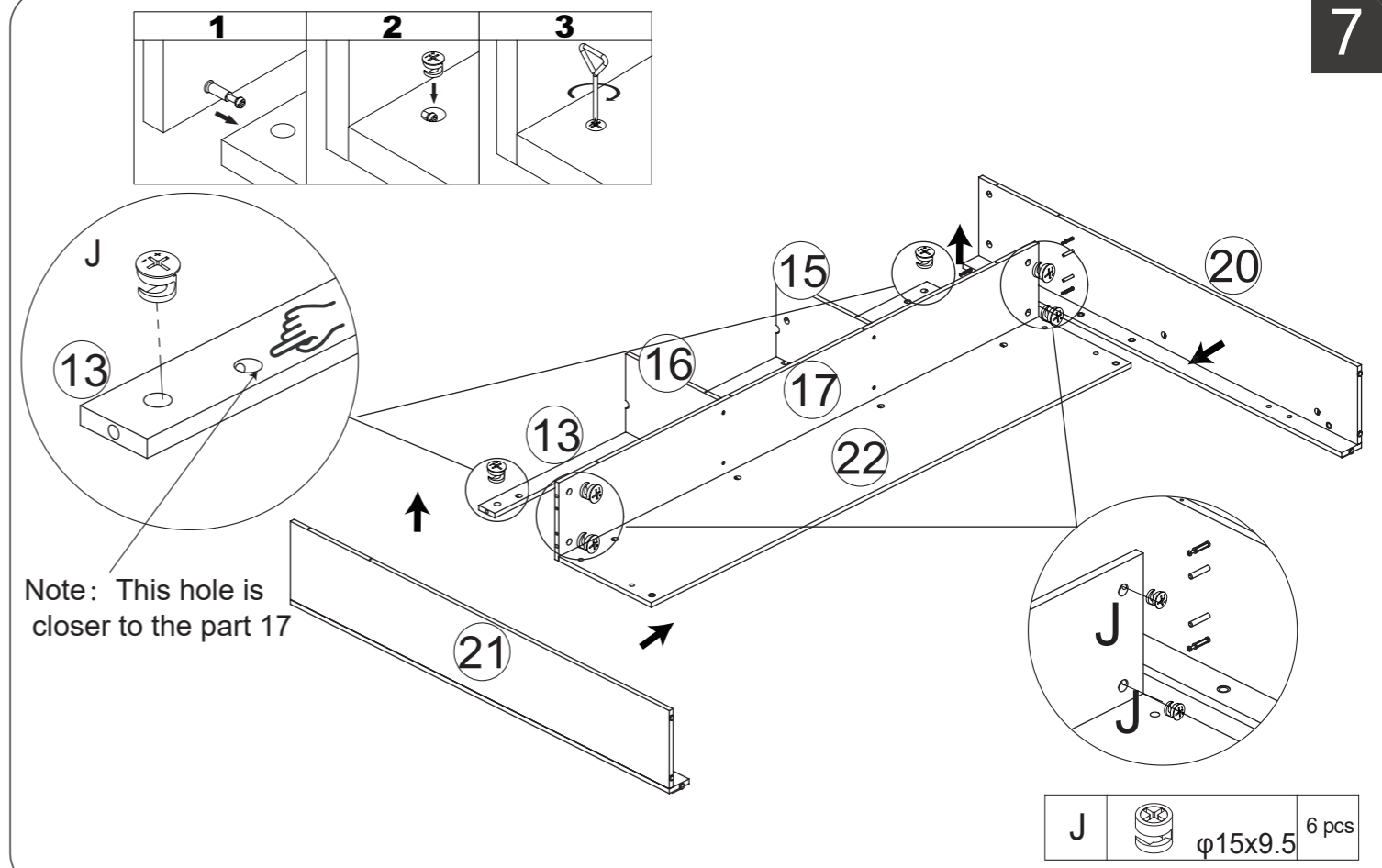
ASSEMBLY INSTRUCTIONS

5

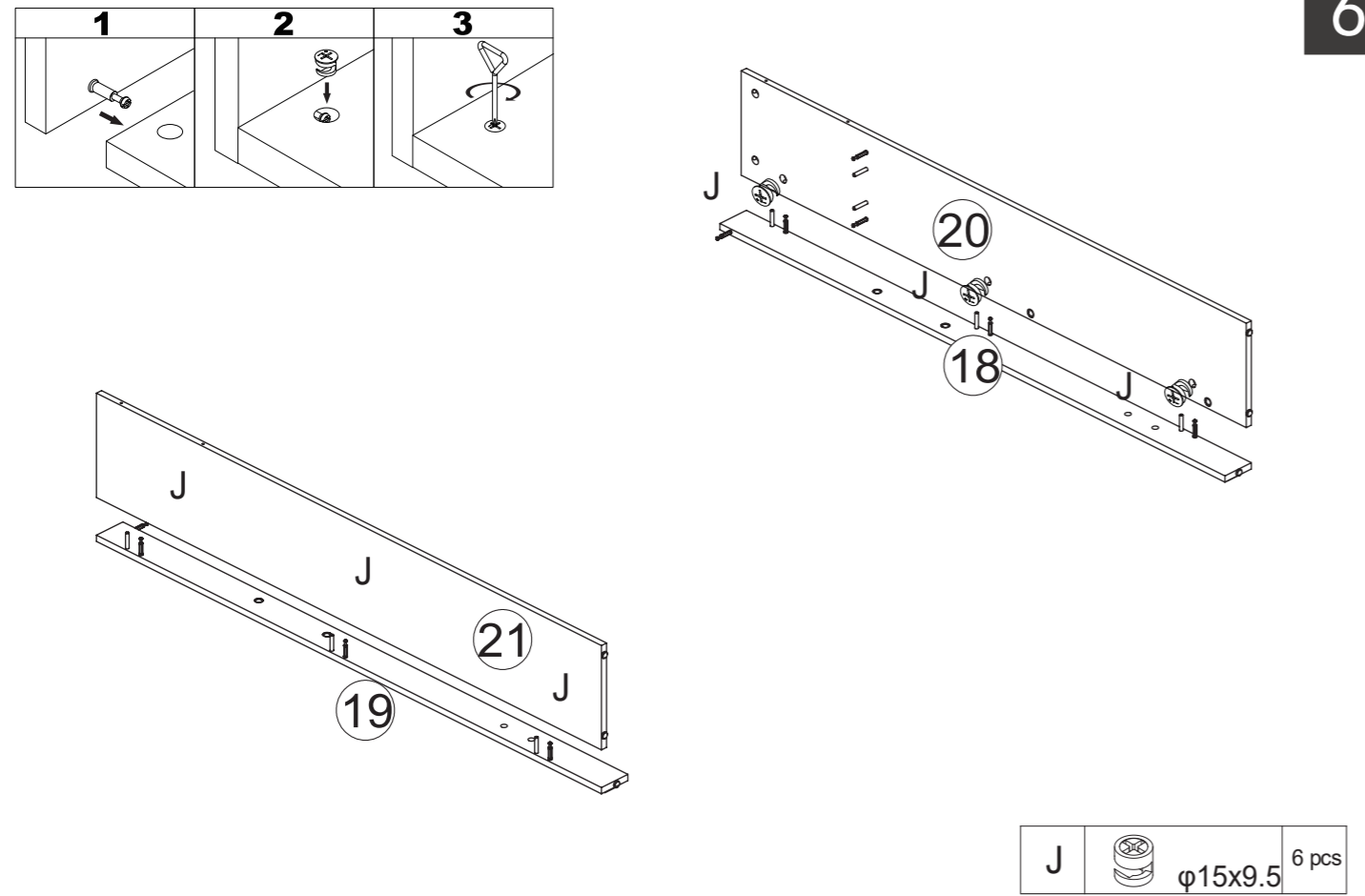


ASSEMBLY INSTRUCTIONS

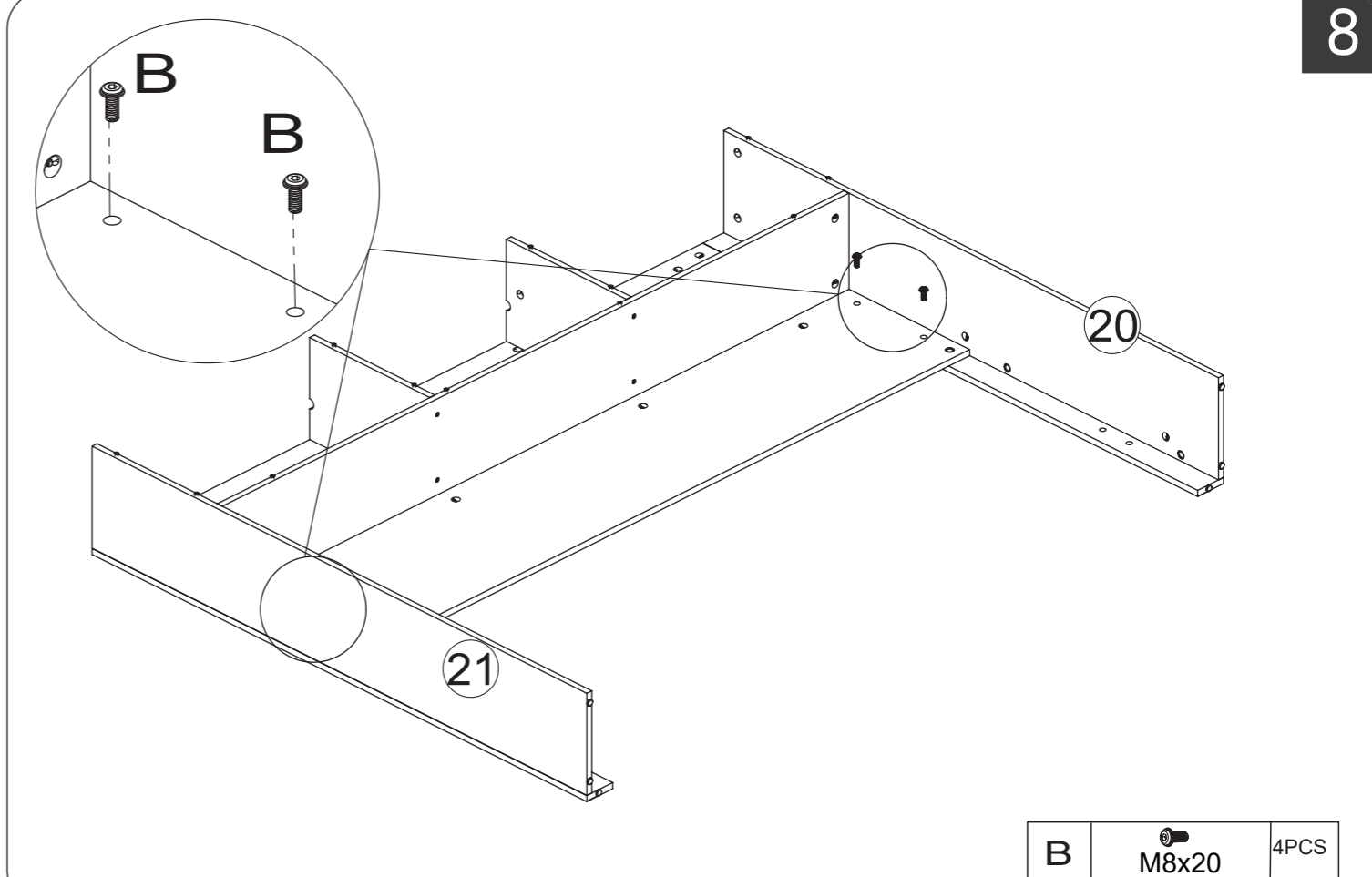
7



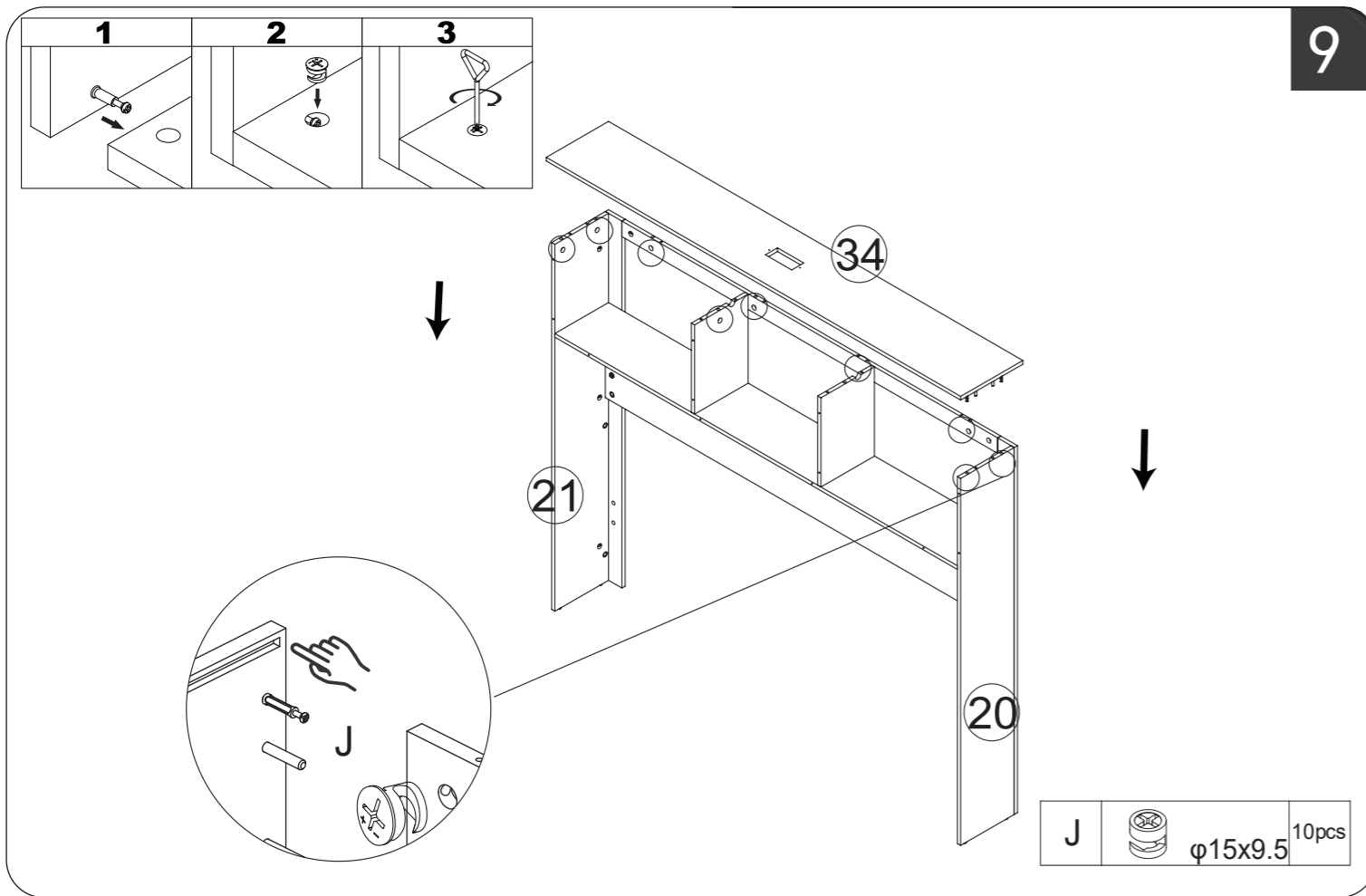
6



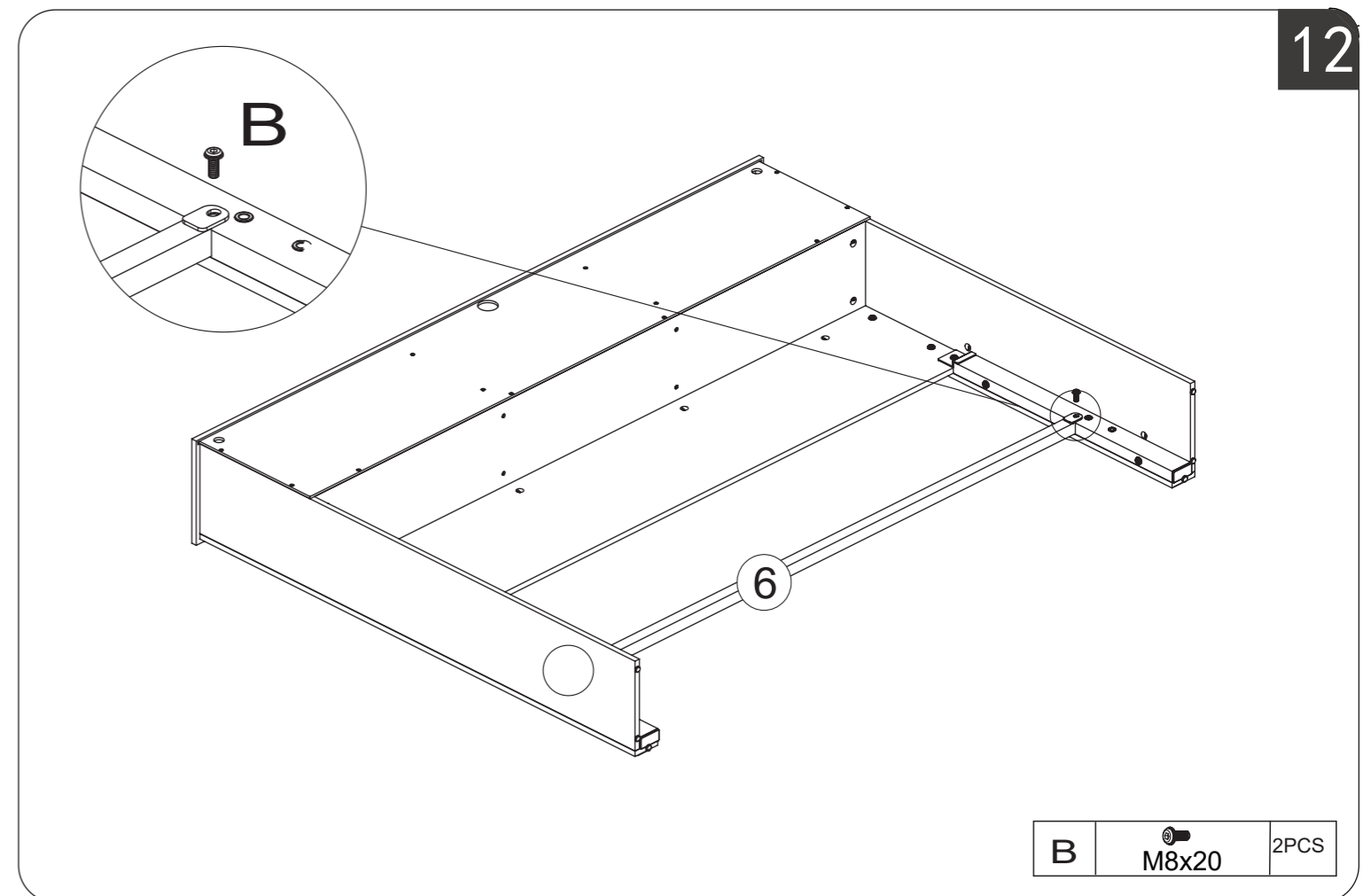
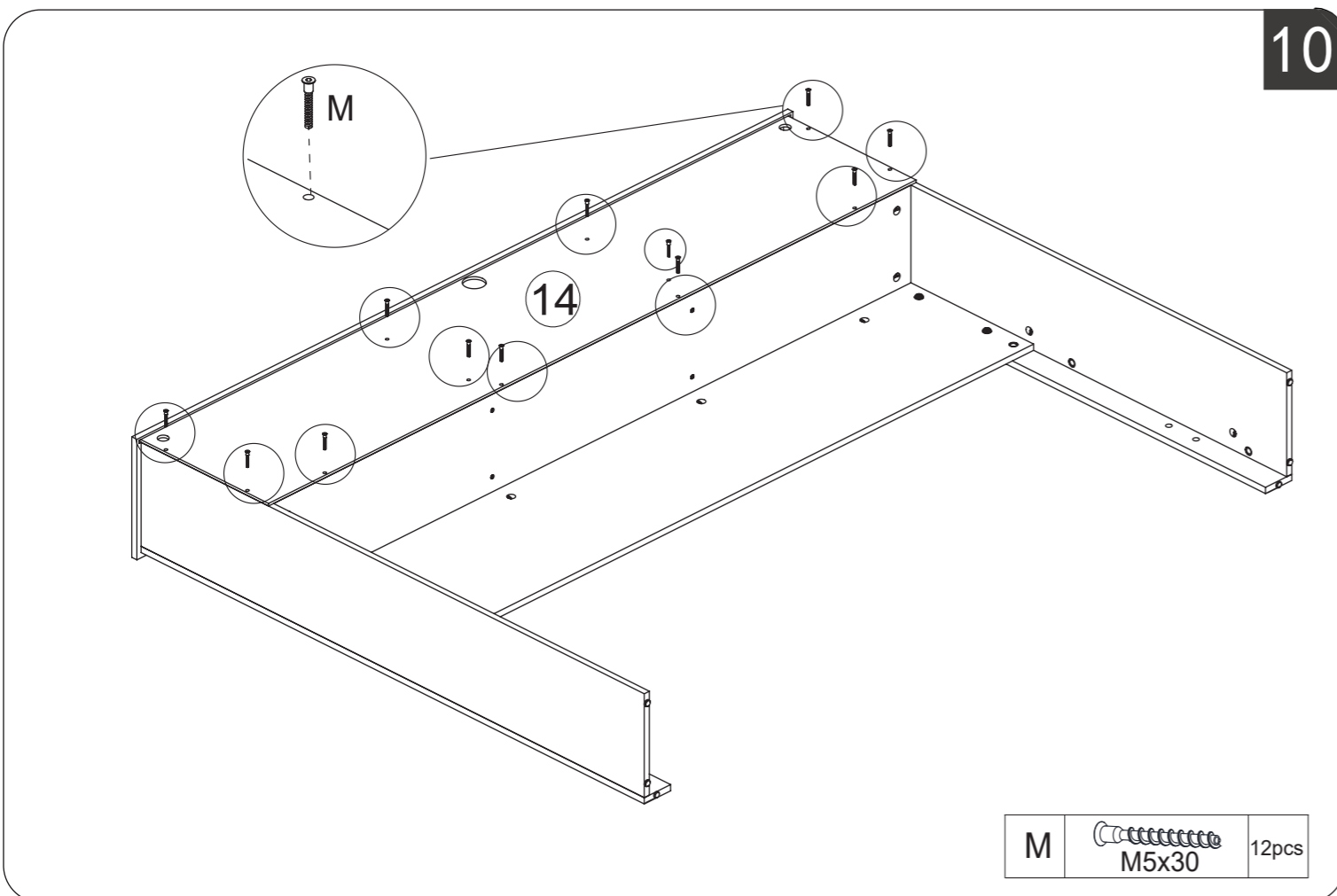
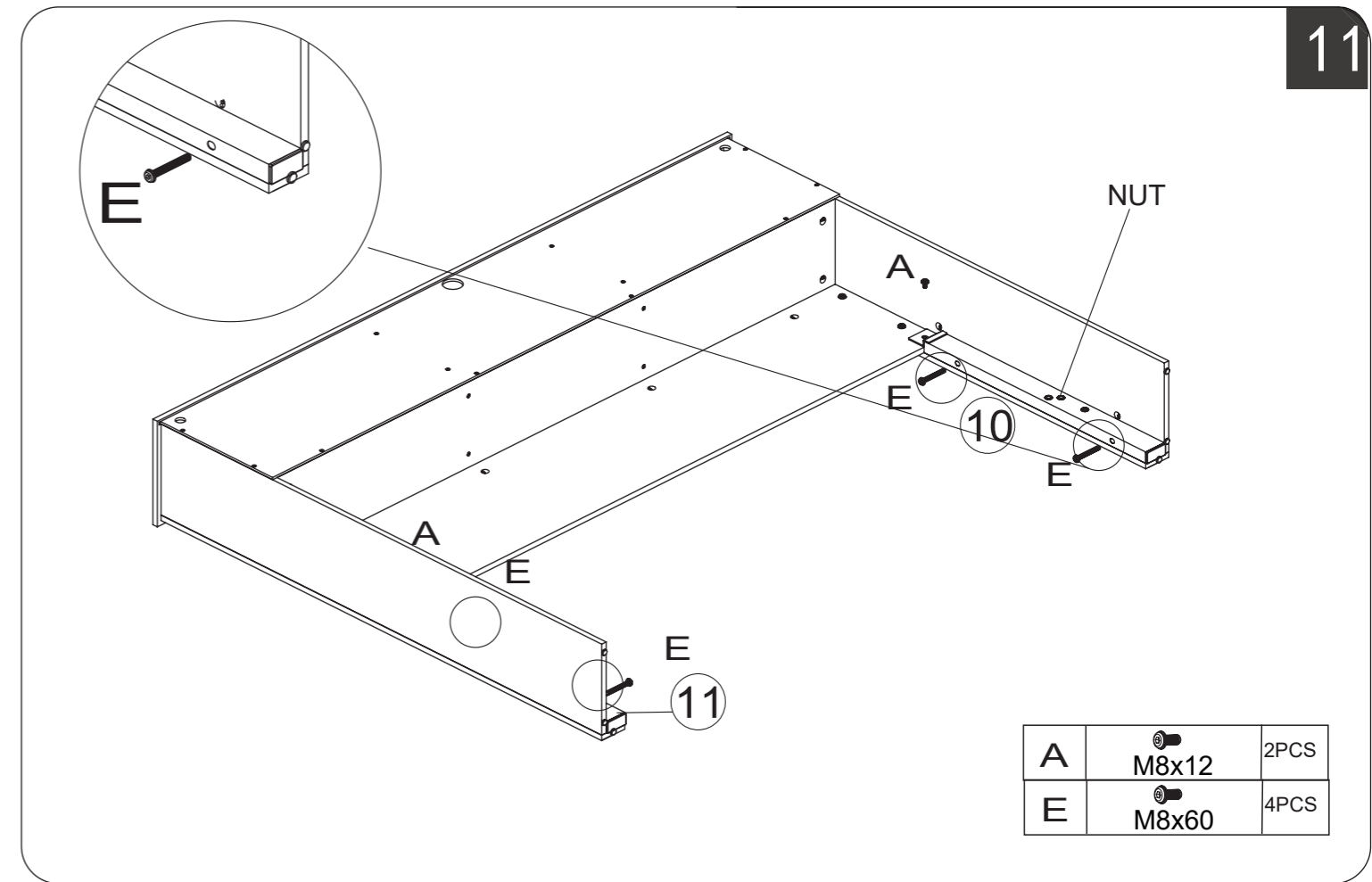
8



ASSEMBLY INSTRUCTIONS

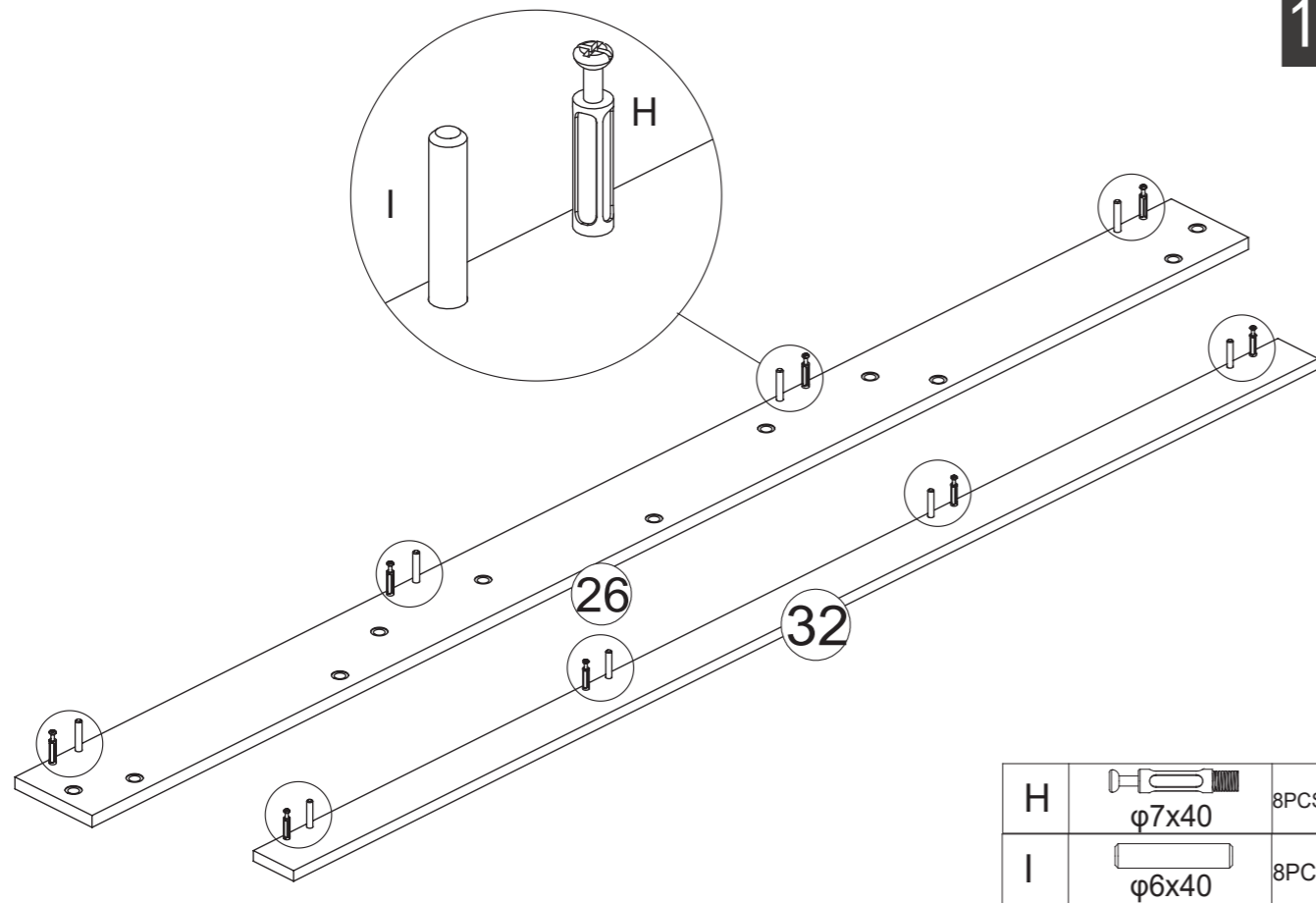


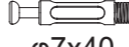
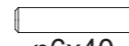
ASSEMBLY INSTRUCTIONS



ASSEMBLY INSTRUCTIONS

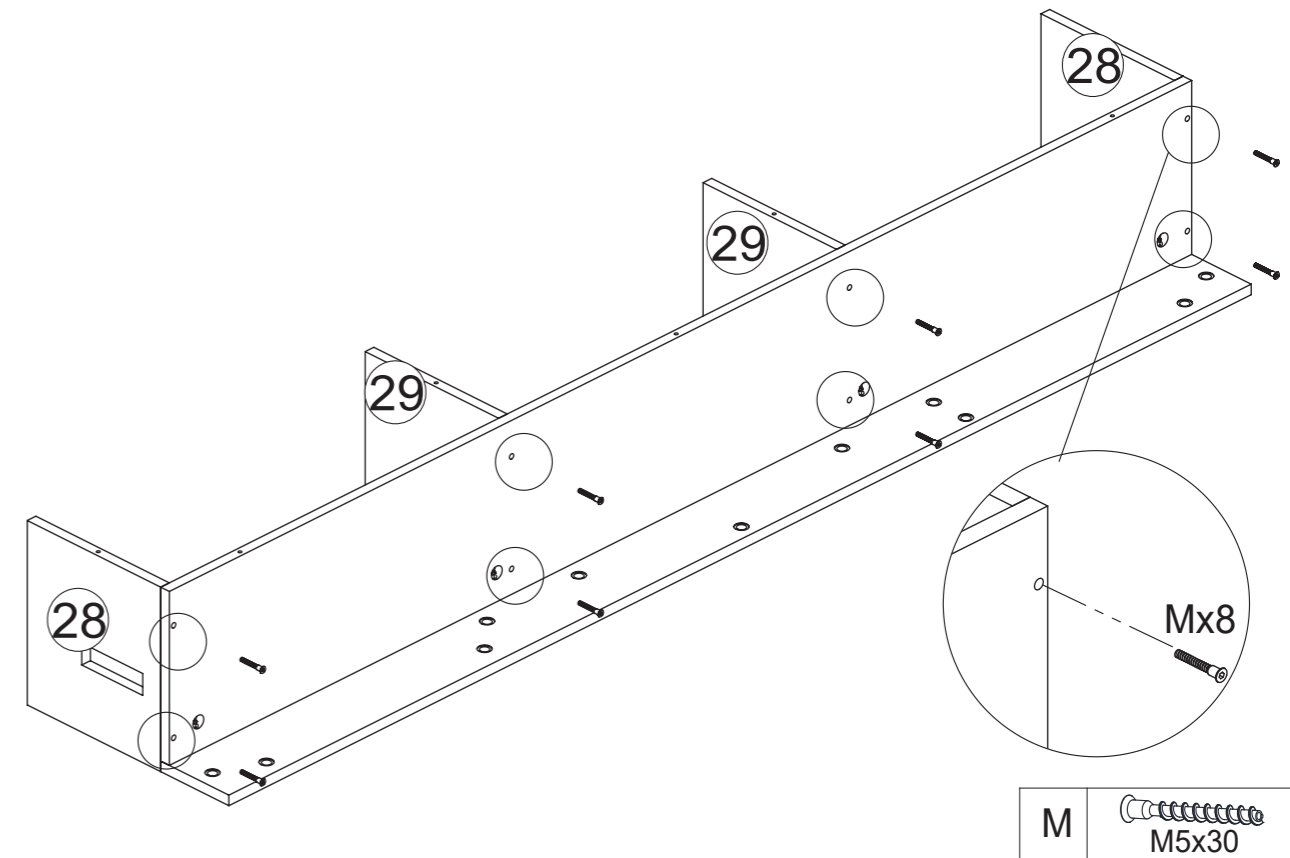
13




H		8PCS
I		8PCS

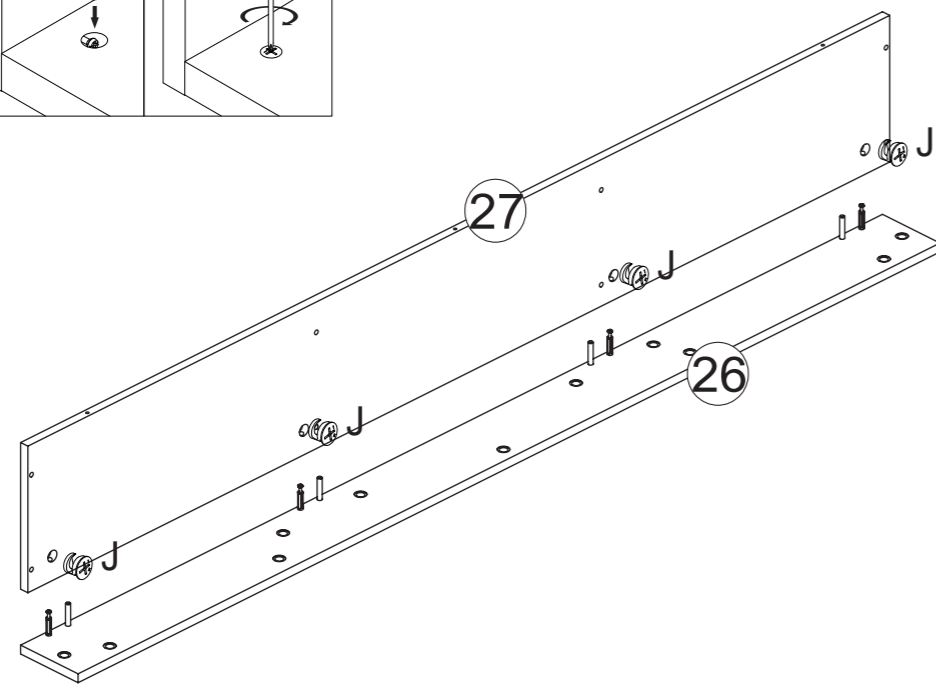
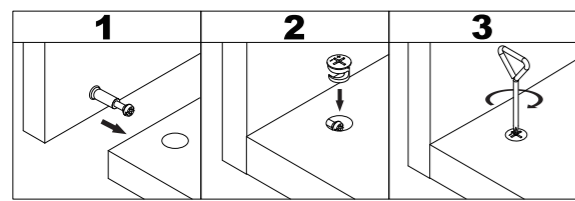
ASSEMBLY INSTRUCTIONS


15



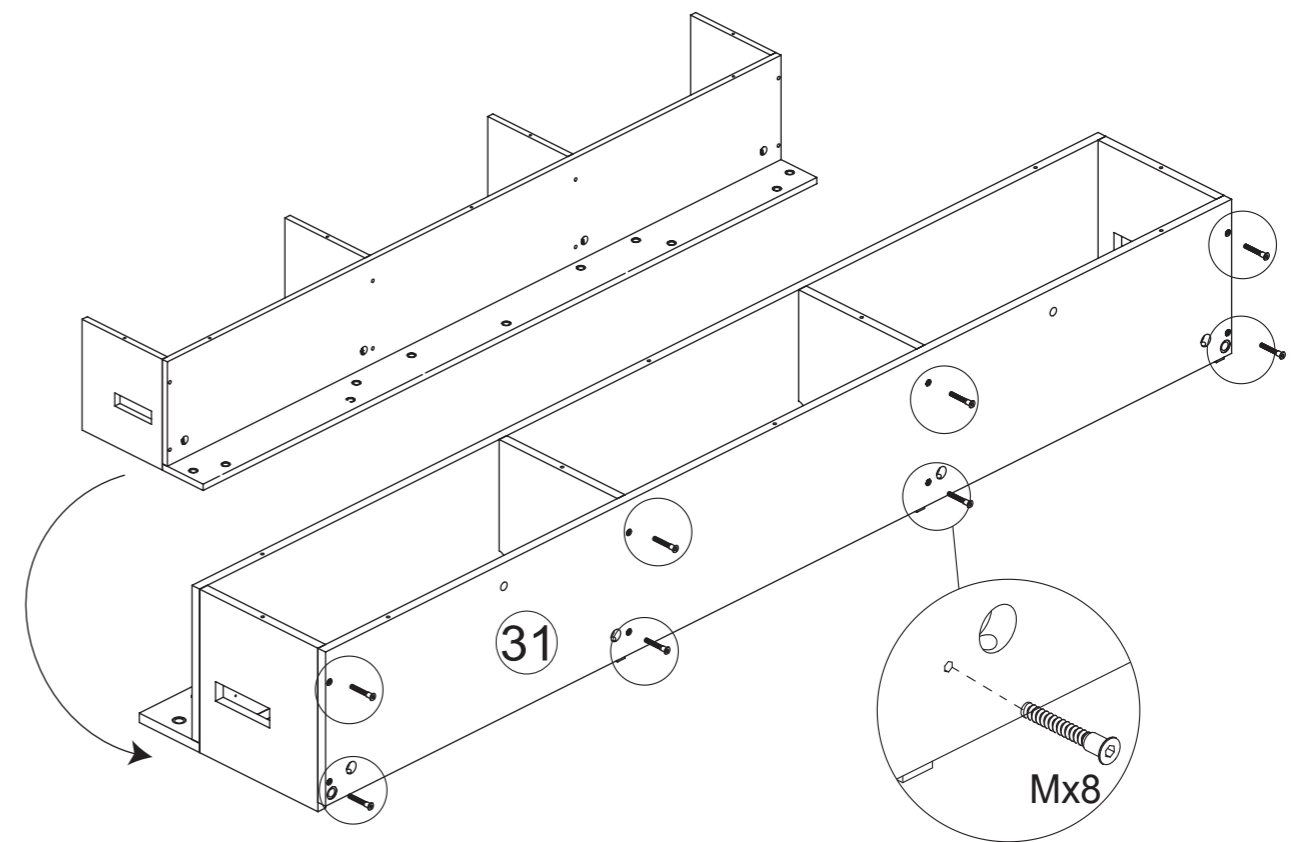
M		8pcs
---	--	------

14



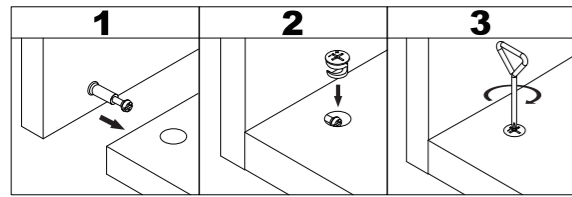
J		4 pcs
---	---	-------

16

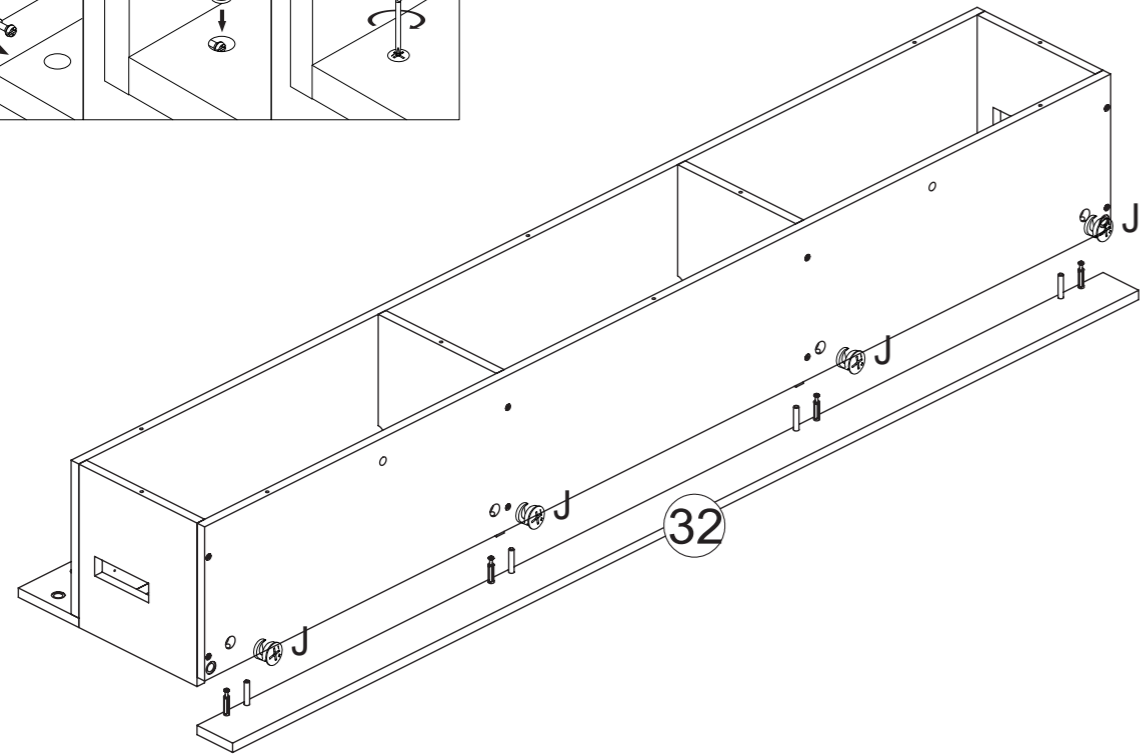



M		8pcs
---	---	------

ASSEMBLY INSTRUCTIONS



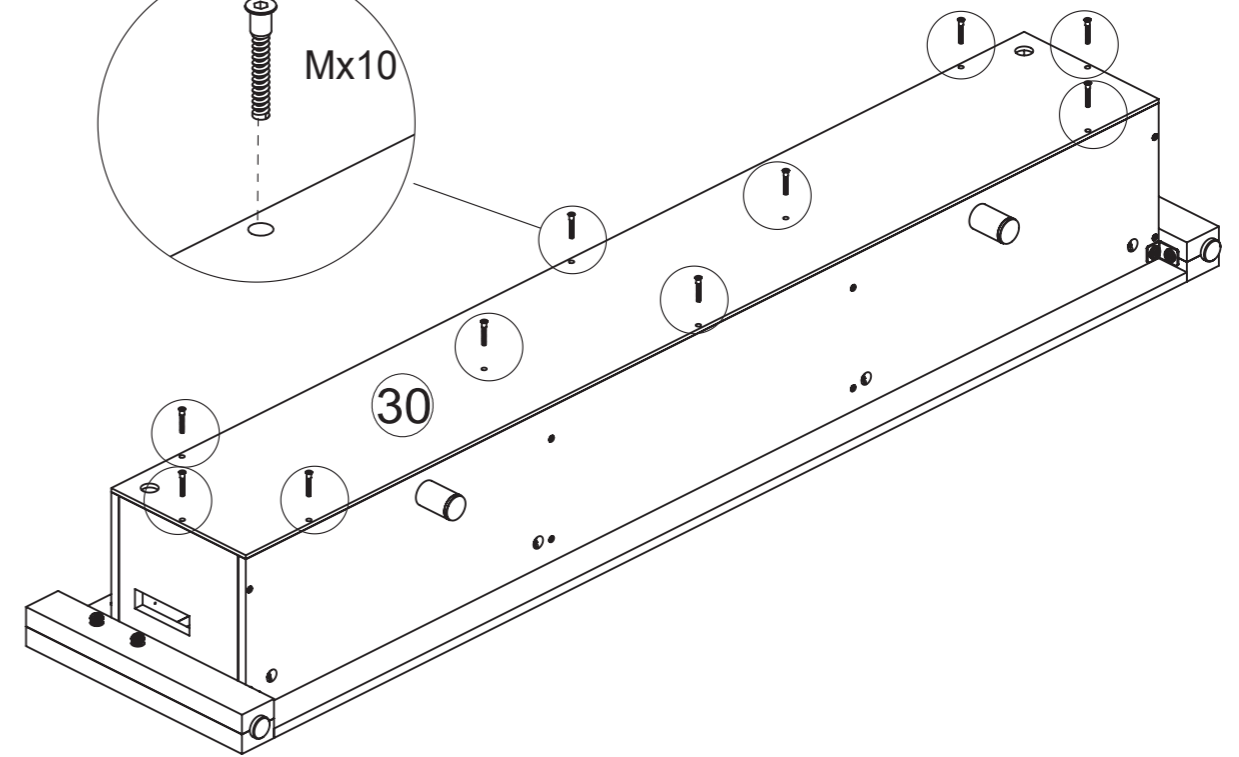
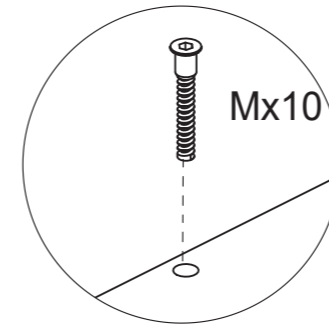
17




J		φ15x9.5	4 pcs
---	--	---------	-------

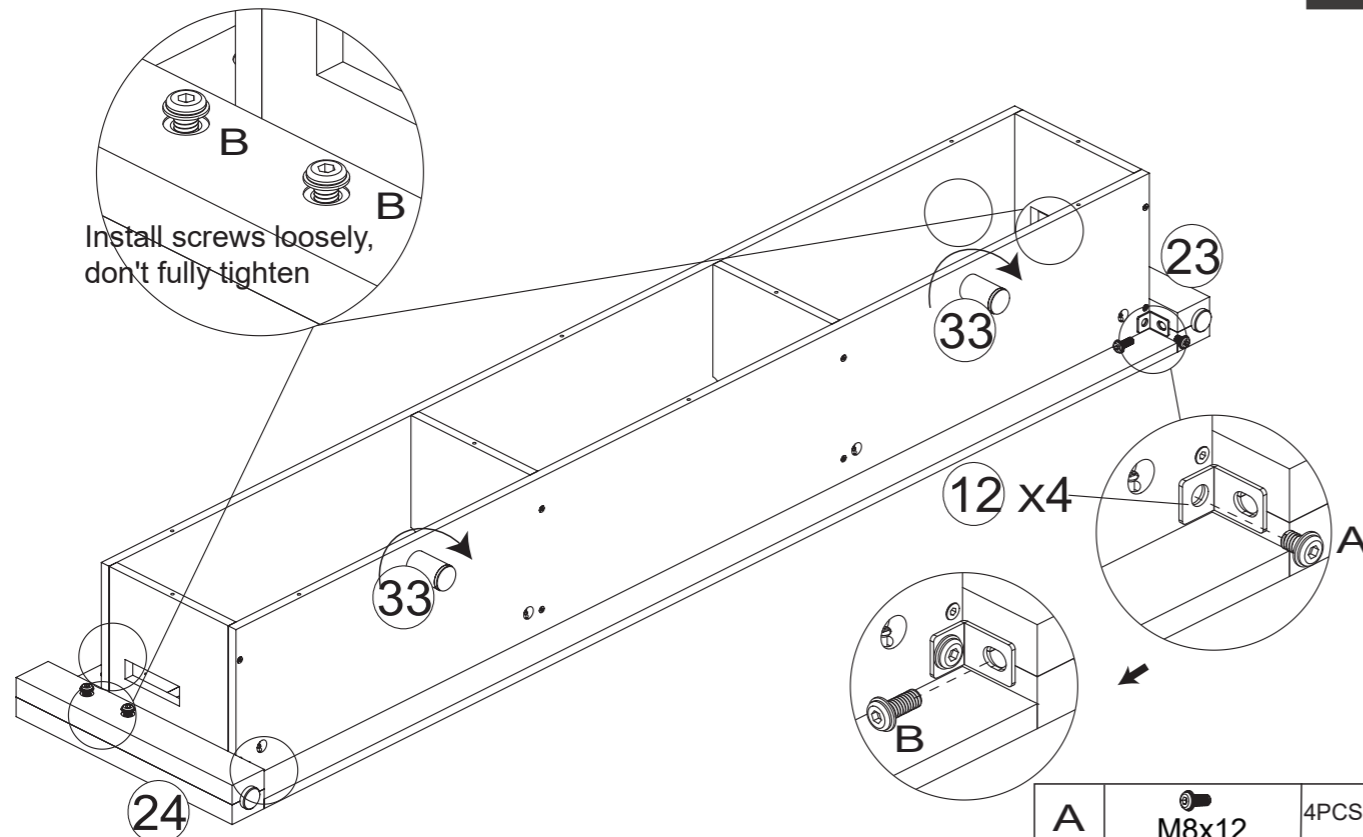
ASSEMBLY INSTRUCTIONS



19



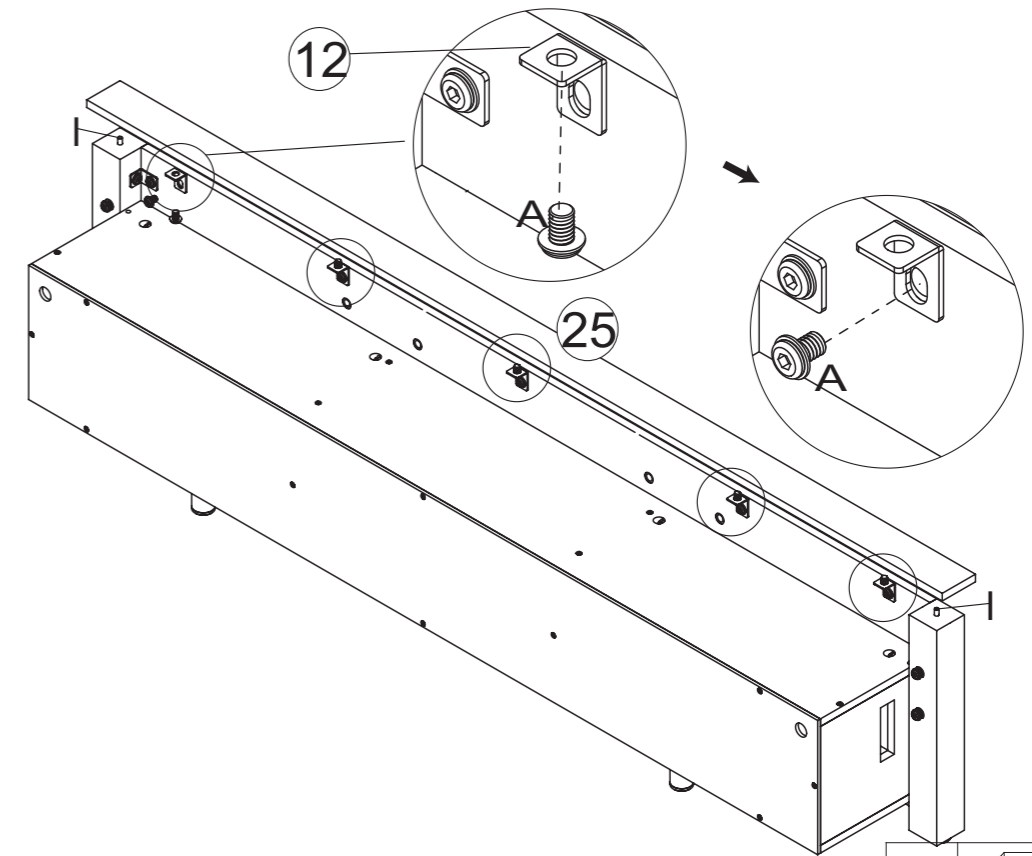
M		M5x30	10pcs
---	---	-------	-------

18



A		M8x12	4PCS
B		M8x20	8PCS

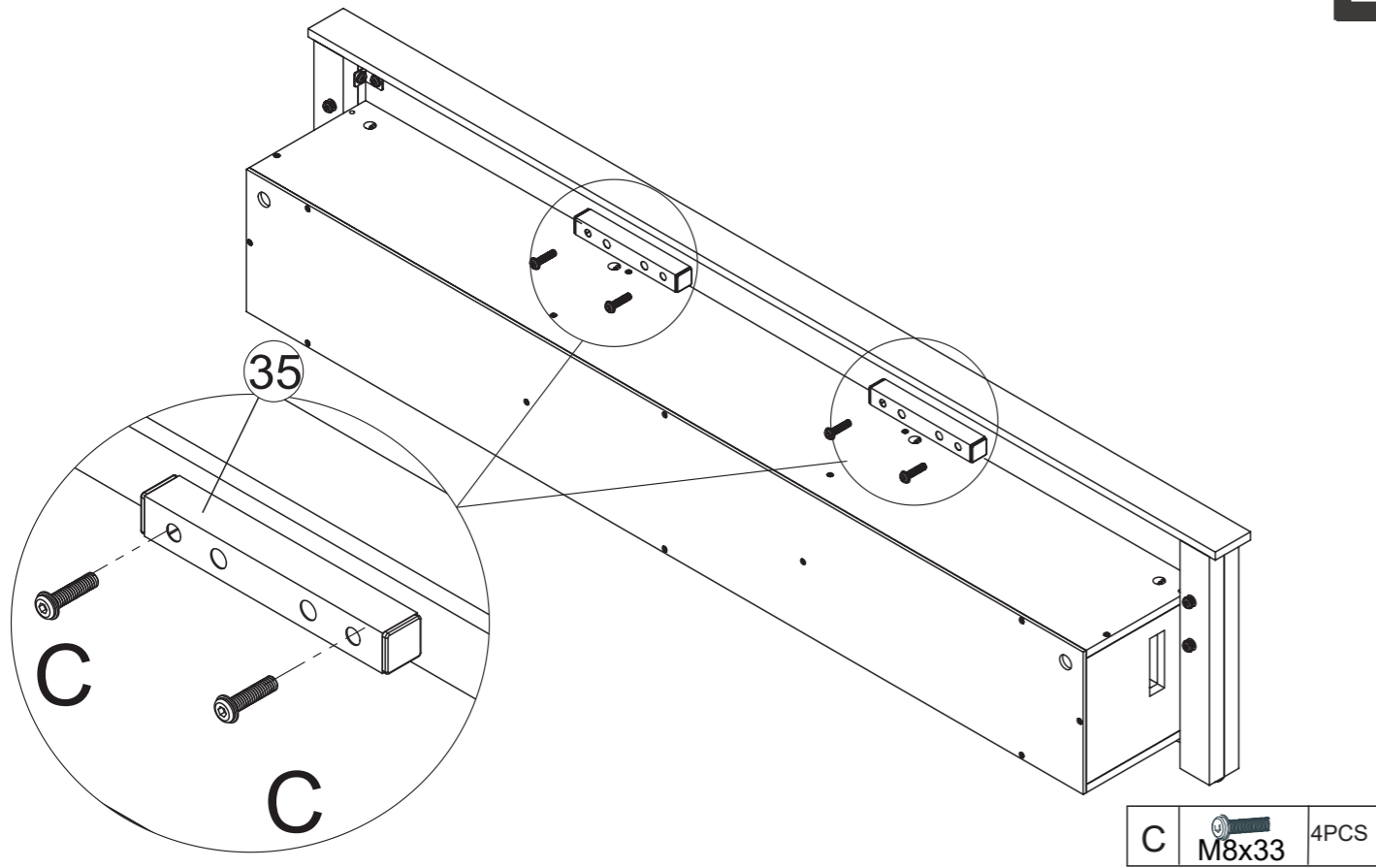
20



I		φ6x40	2PCS
A		M8x12	10PCS

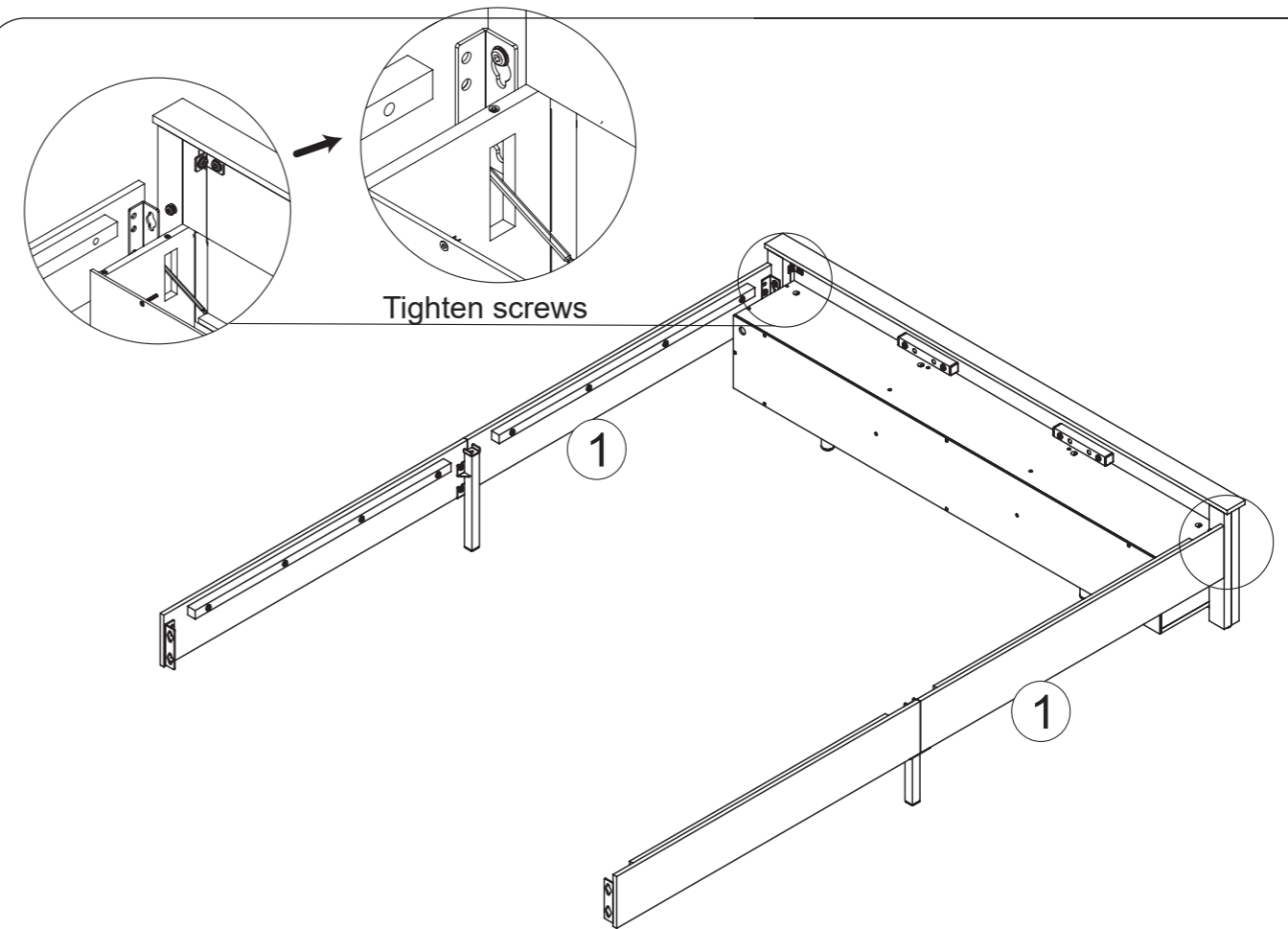
ASSEMBLY INSTRUCTIONS

21

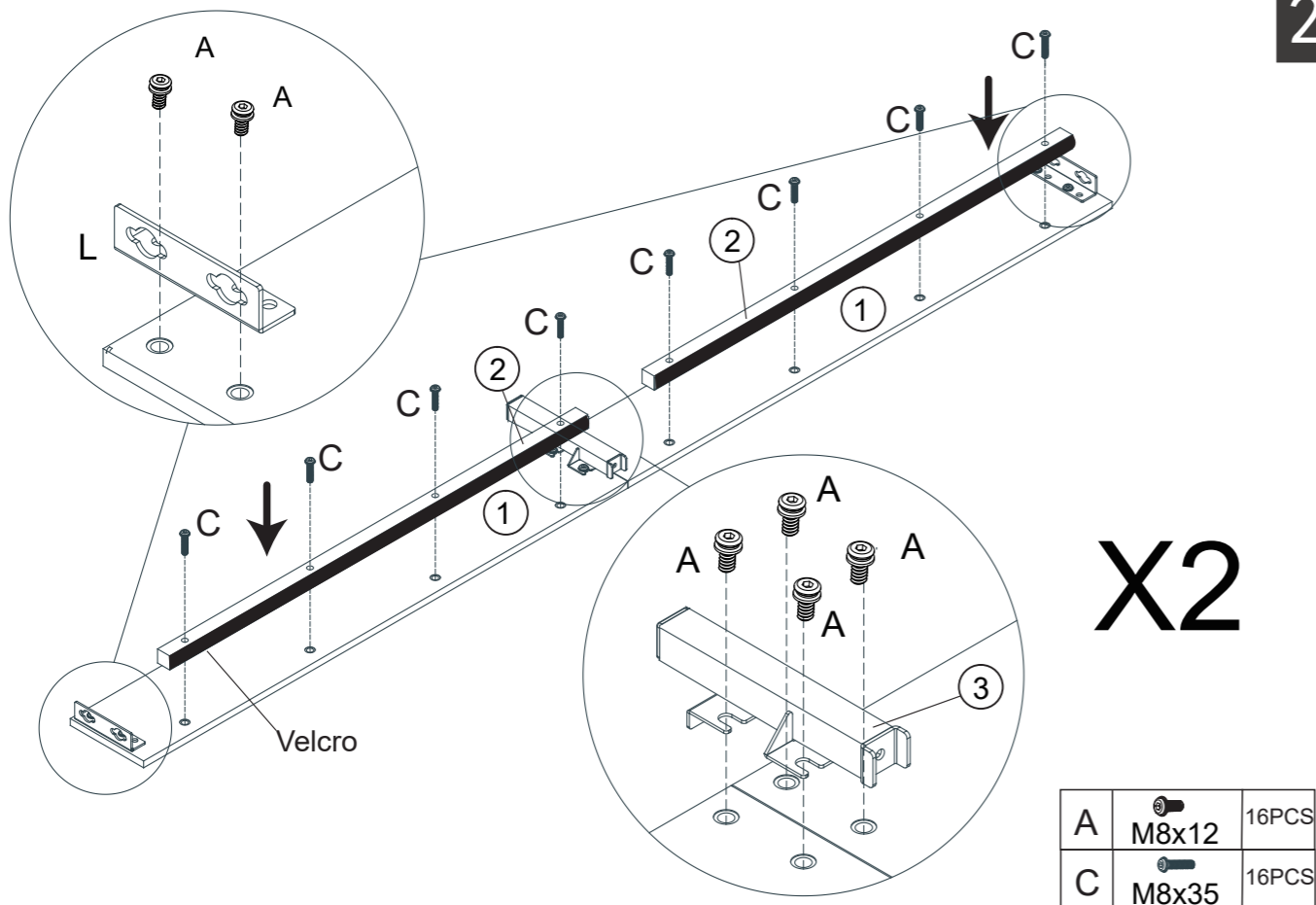


ASSEMBLY INSTRUCTIONS

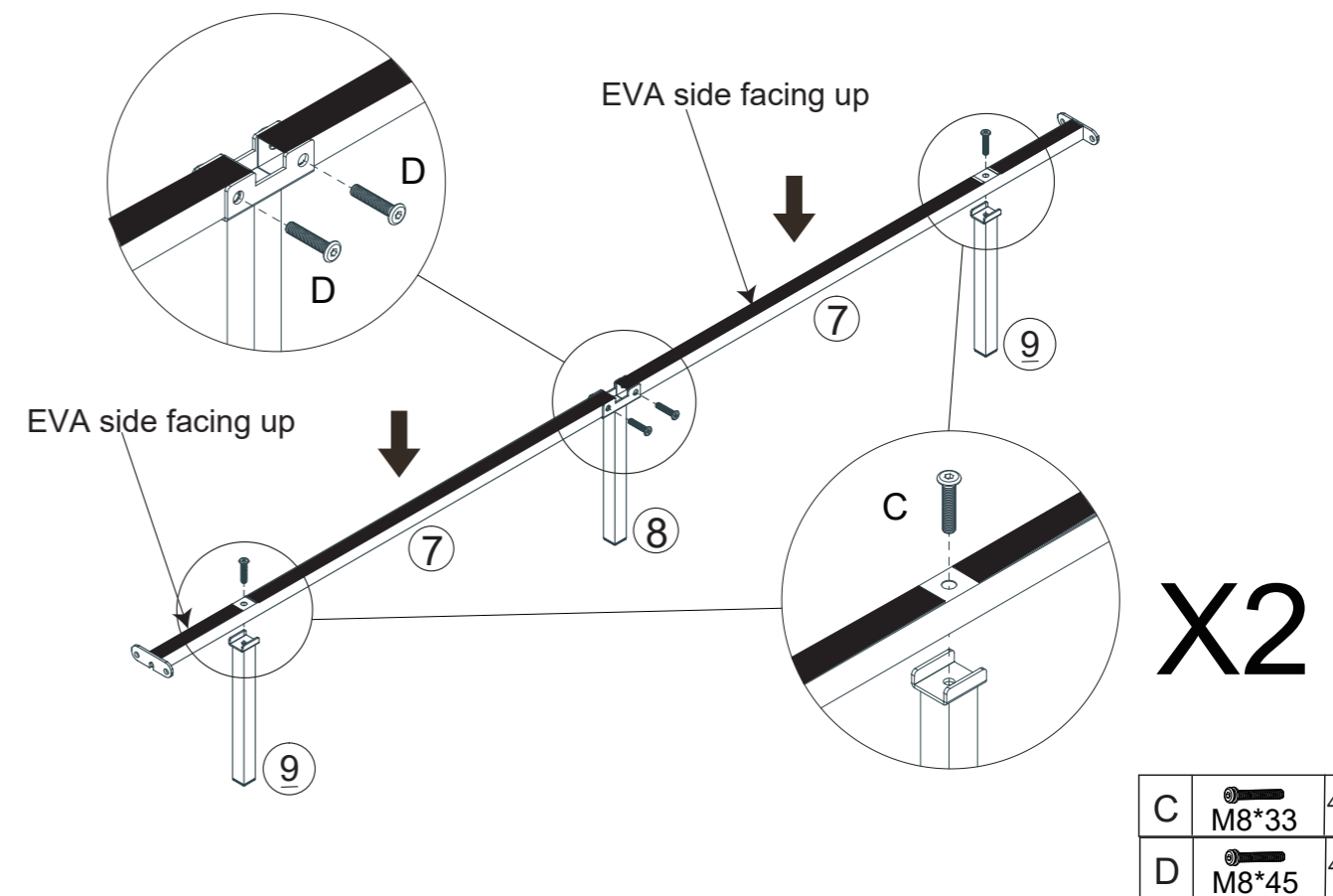
23



22

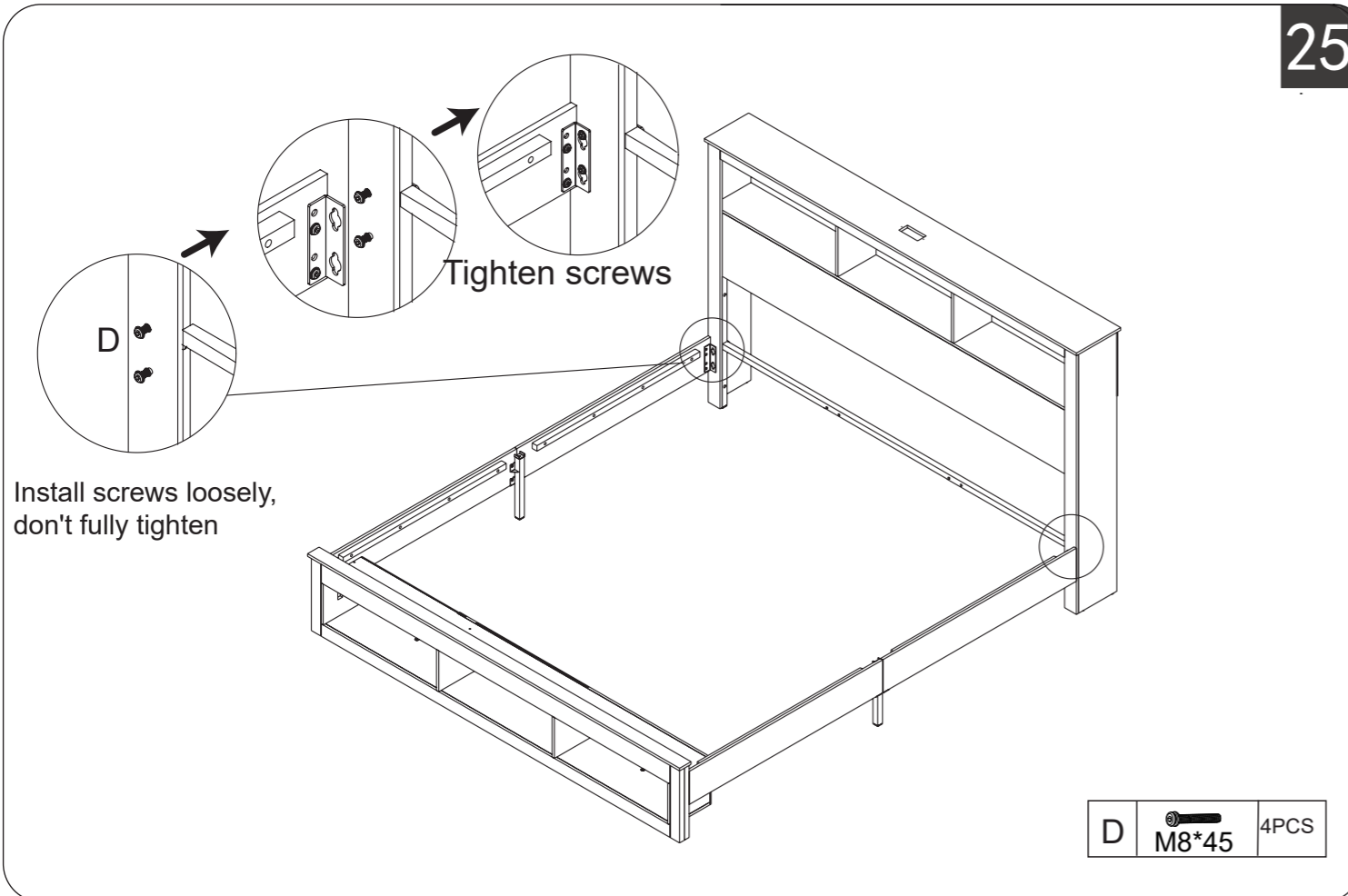


24



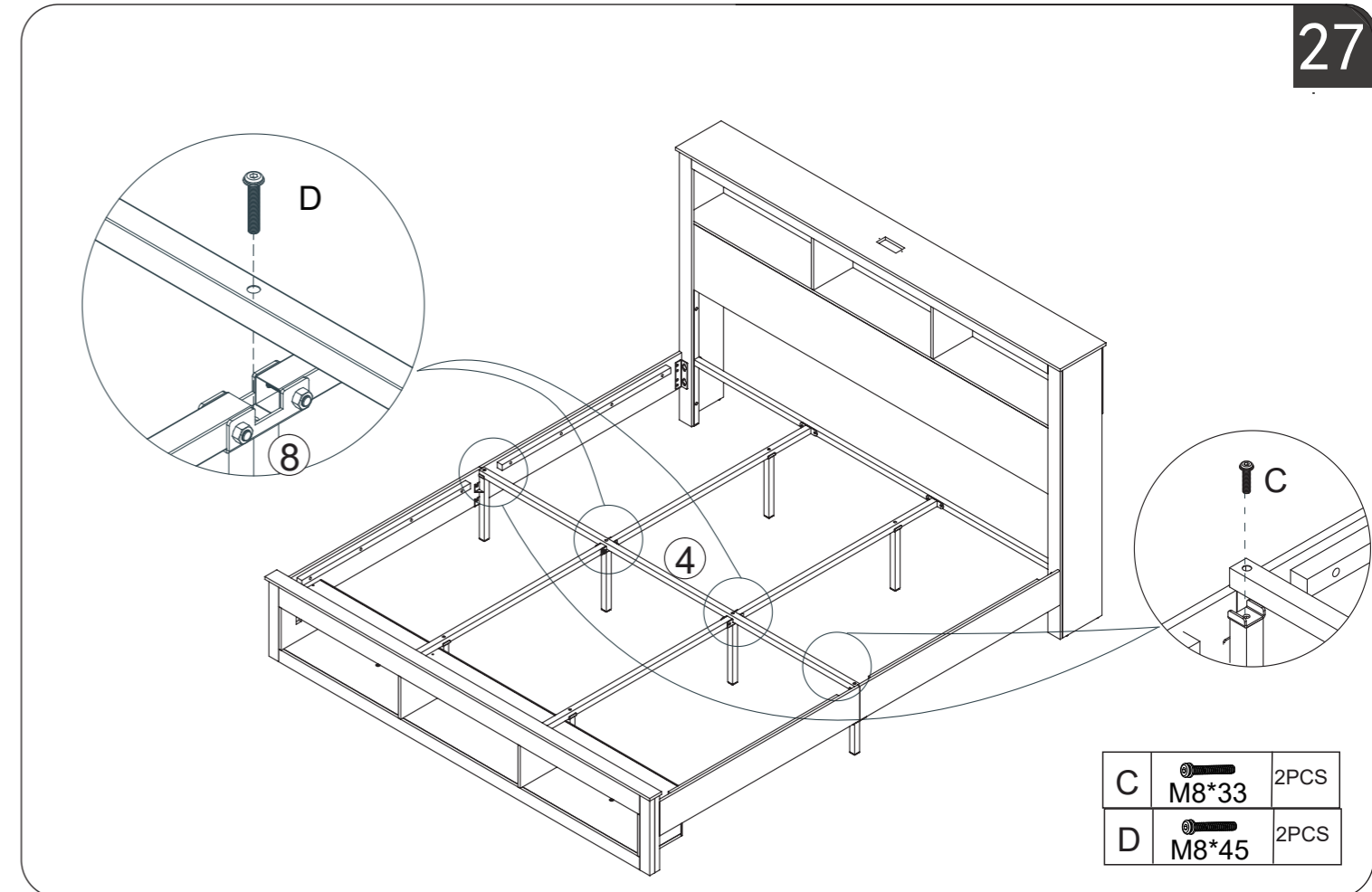
ASSEMBLY INSTRUCTIONS

25

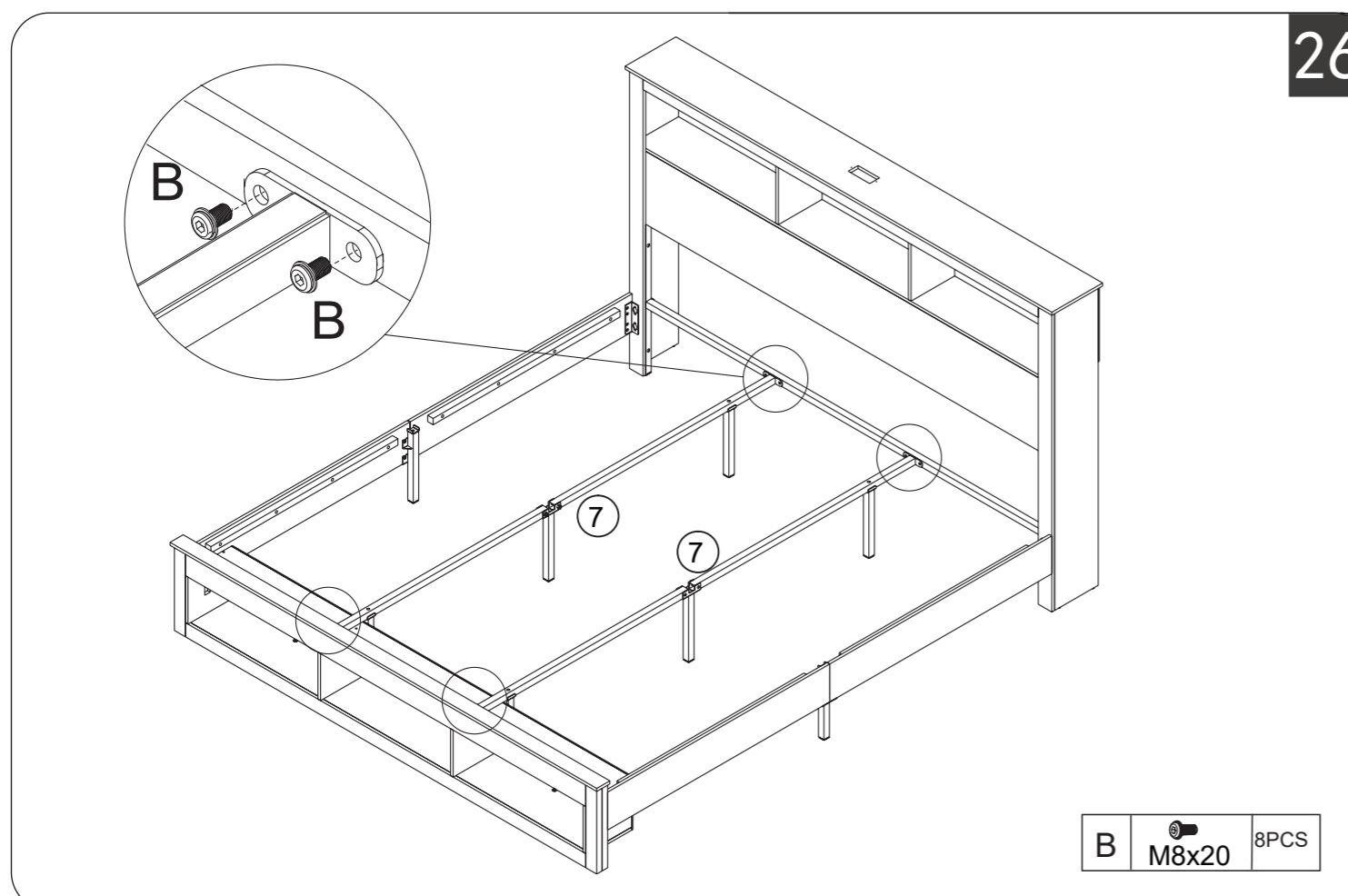


ASSEMBLY INSTRUCTIONS

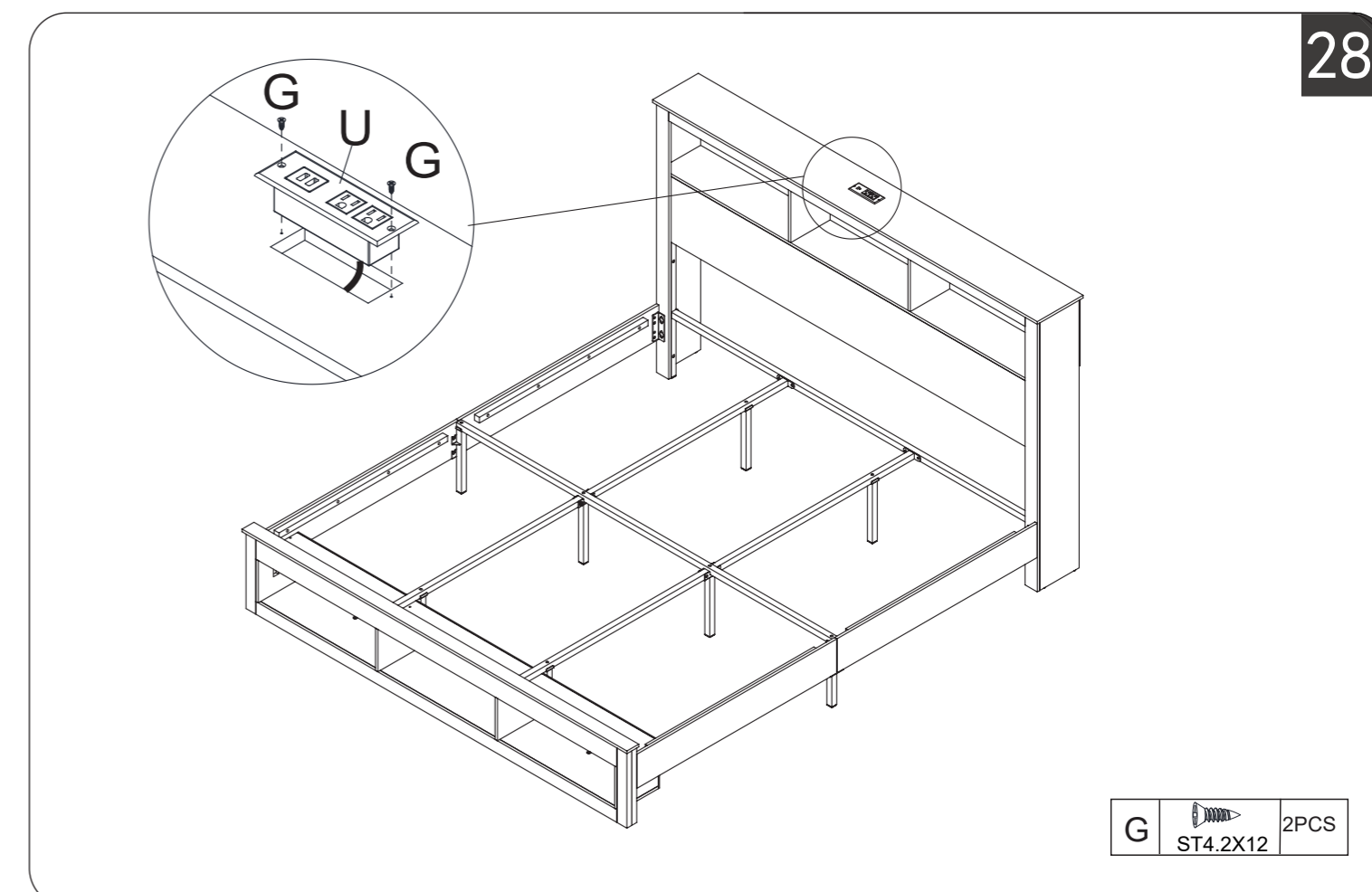
27



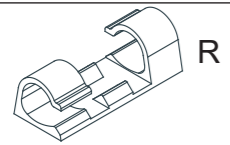
26



28



ASSEMBLY INSTRUCTIONS



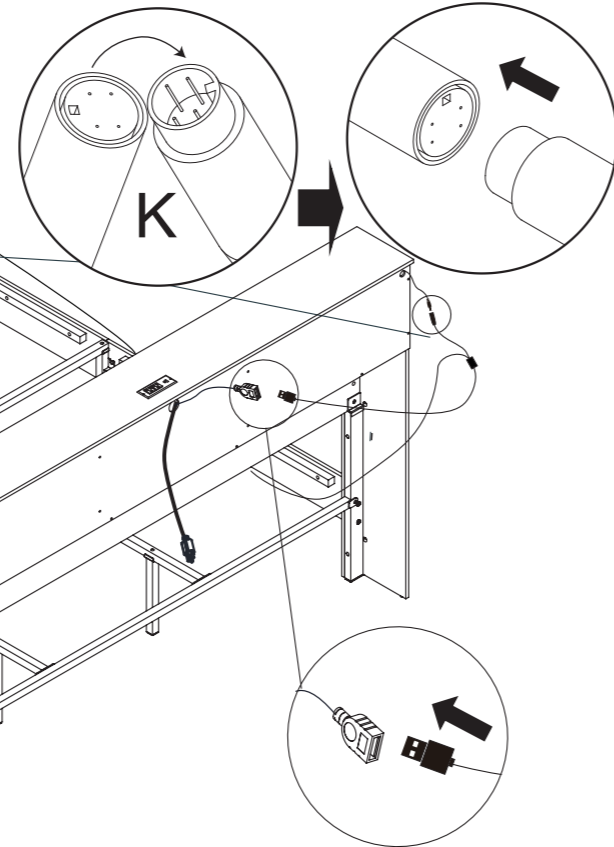
R

Use a line organizer to organize the circuit

Tips: The Led strip connector on headboard and footboard should be on the same side. If not, pls adjust the Led strip on headboard

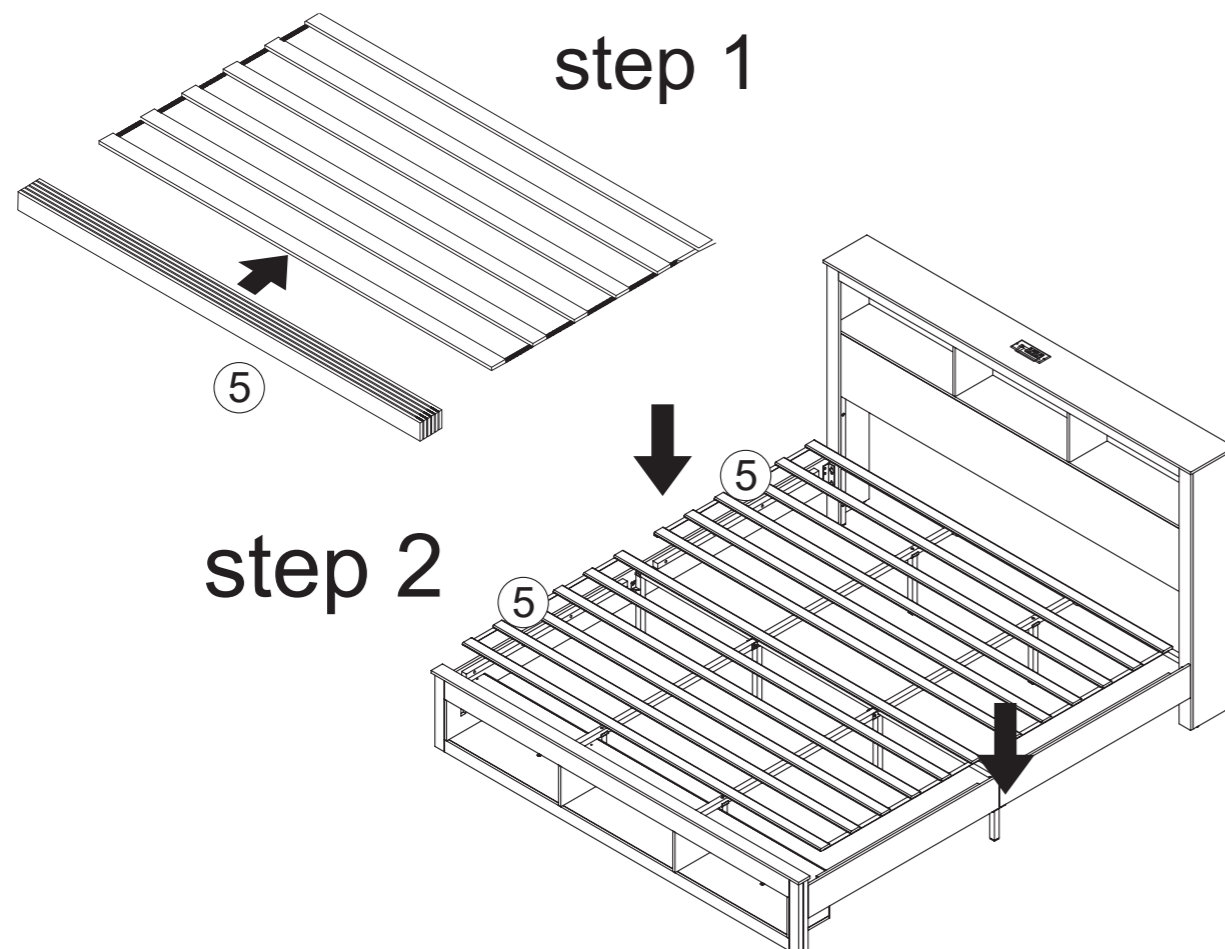
Connect cables from the lights on headboard and footboard with one power cable.

29



step 1

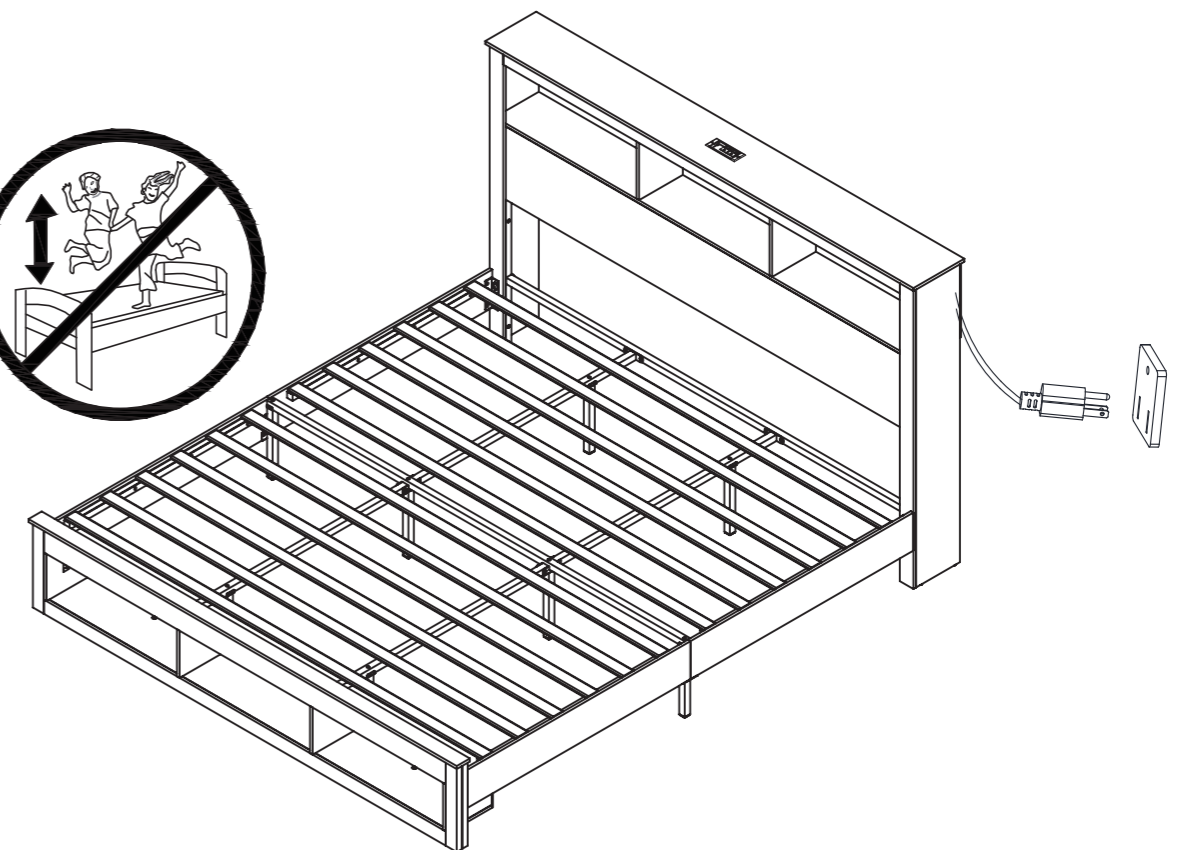
30



step 2

ASSEMBLY INSTRUCTIONS

31



Installation Complete