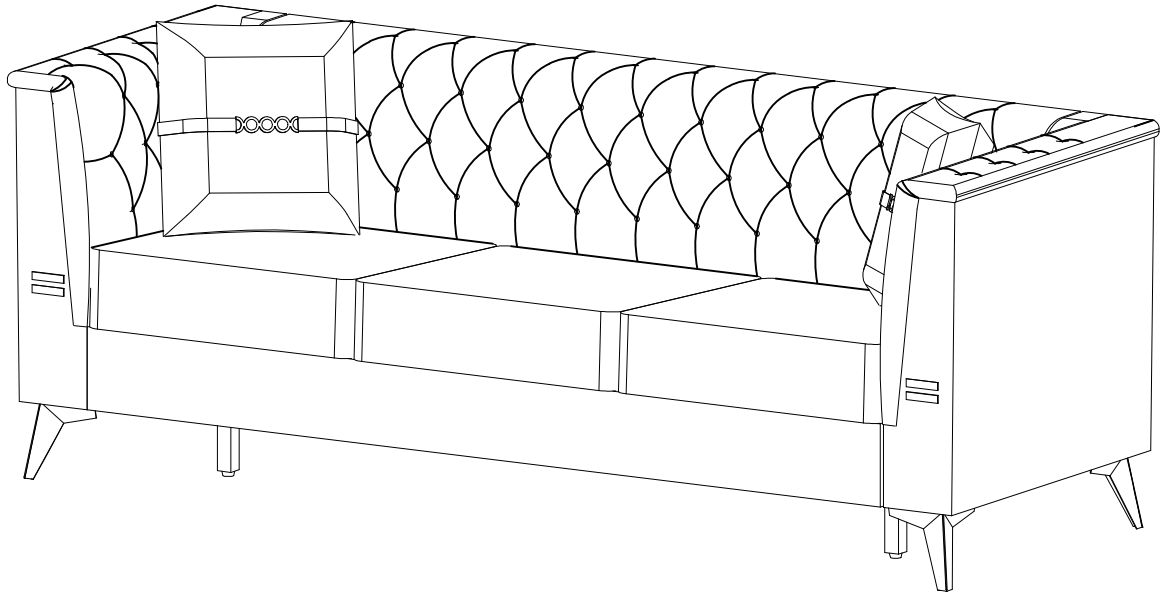

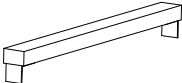
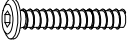
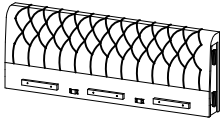

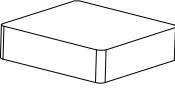
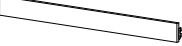




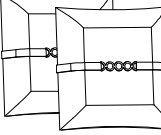
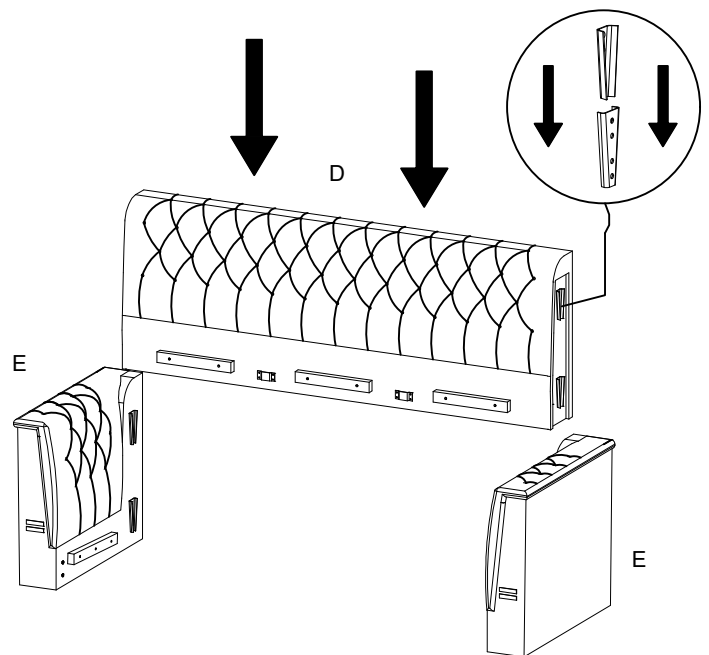


# ASSEMBLY INSTRUCTION

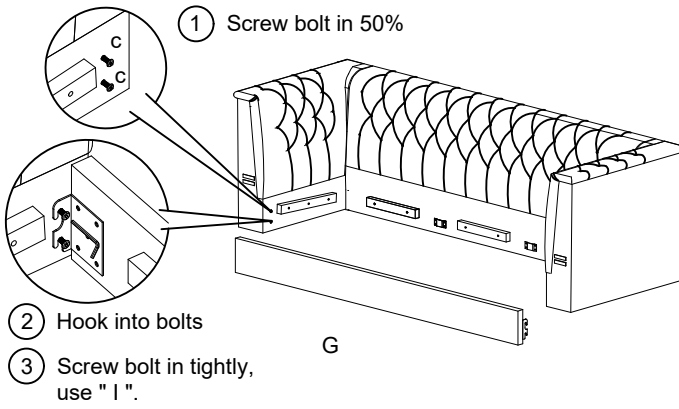


- (A)  Leg  
4 pcs
- (B)  Center Bar  
2 pcs
- (C)  JCBC Bolt M8 x 30  
12 pcs
- (D)  Backrest  
1 pcs
- (E)  Handrest  
2 pcs
- (F)  Seat Cushion  
3 pcs
- (G)  Front Board  
1 pcs
- (H)  Bottom Board  
1 pcs
- (I)  Allen Key  
1 pcs
- (J)  Flat Washer M8  
8 pcs
- (K)  Center Leg  
2 pcs
- (L)  Pillow  
2 pcs

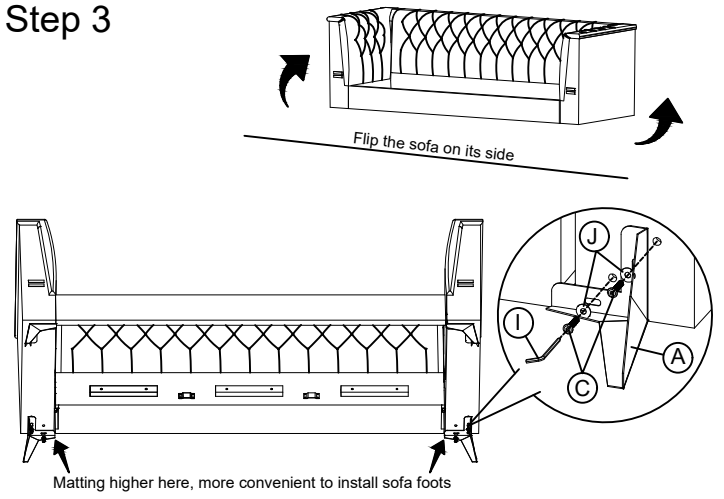
## Step 1



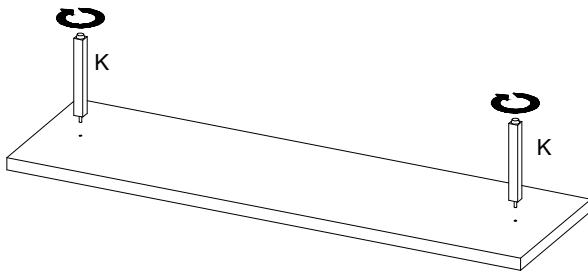
## Step 2



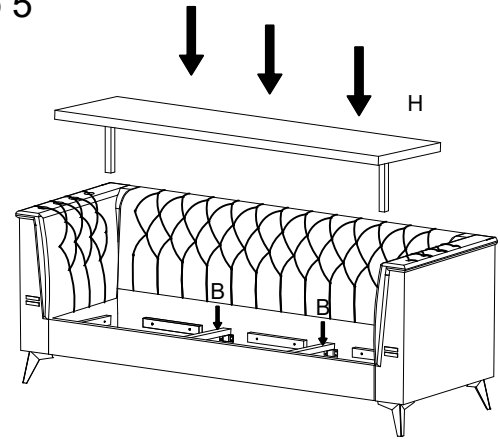
## Step 3



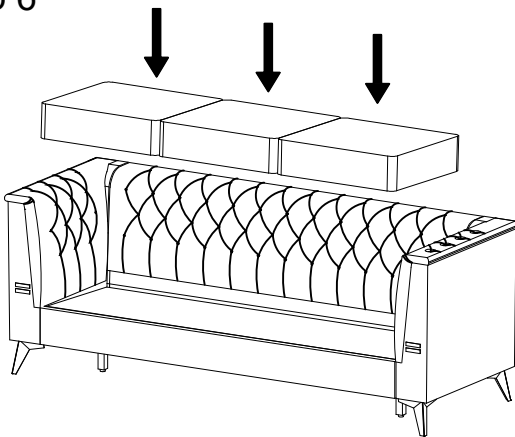
## Step 4



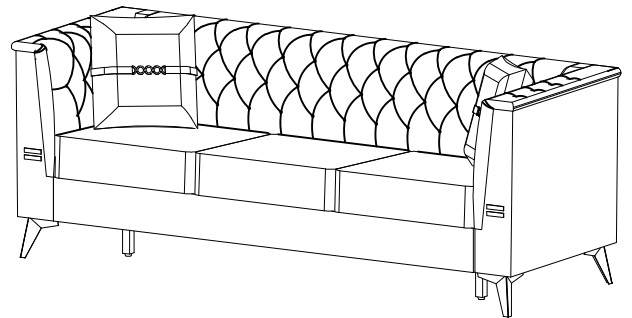
## Step 5



## Step 6



## Step 7



### Attention:

- \* Please do not move the sofa after installation. If you need to move the sofa, please disassemble the sofa first, and re-install it at your destination.
- \* please keep this installation instruction for your future use.