

## NOTICE

- \* Please make sure that you have all parts indicated and they are in good condition before you begin assembly of this item. Refer to part list and hardware list below for guidance.
- \* This item should be assembled on a soft surface to prevent scratching the finish during assembly.
- \* This item may require periodic tightening.

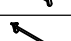

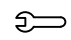
## PREPARATION

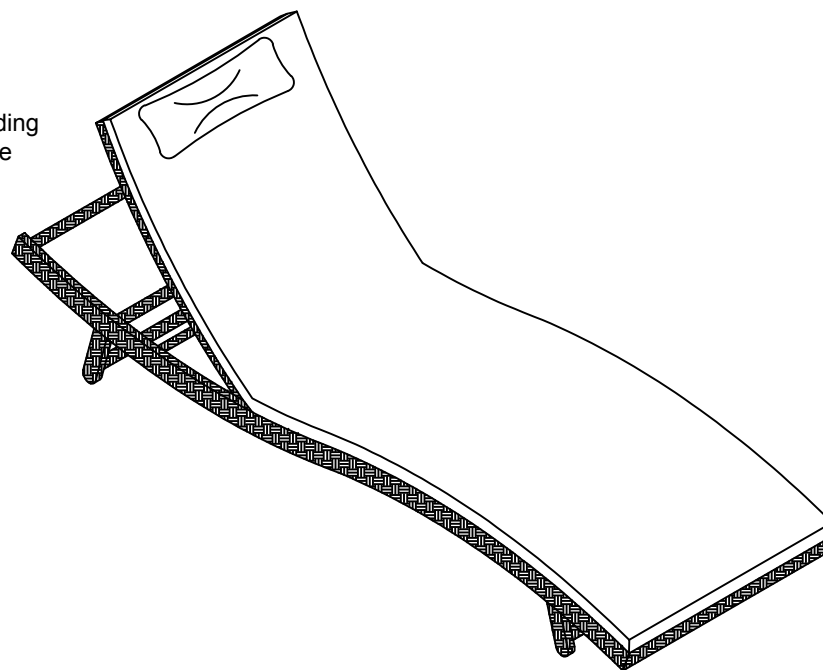
- \* Before beginning assembly of product, make sure all parts are present. Compare parts with part contents list and hardware contents list.
- \* If any part is missing or damaged, do not attempt to assemble the product.
- \* Estimated Assembly Time: **15 minutes**.
- \* Tools Required for Assembly (included): **Allen Key**

## CARE AND MAINTENANCE

Store outdoor furniture indoors or cover well when not in use. Remove wooden furniture from standing water. Dust regularly with small brush or vacuum. Spills should be taken care of immediately before they harden or stain with a slightly dampened sponge. Do not use bleach solutions

### Part List and Hardware List

PIECE	DESCRIPTION	PICTURE	QUANTITY
A	First Frame		1X
B	Second Frame		1X
C	Long Leg		1X
D	Short Leg		1X
E	Middle Leg		1X
CSH	Cushion		1X
HW1	Allen Bolt: M6x0.5x60 mm		2X
HW2	Allen Bolt: M6x0.5x20 mm		12X
HW3	Flat Washer M6x1 mm		16X
HW4	Hex M6		2X
HW5	Key		1X
HW6	Allen Key		1X



Weight Capacity : 352 lbs ( Sunlounger)  
Warning : Do not stand on Sunlounger/Chair  
Warning : Do not over torque bolts/screws

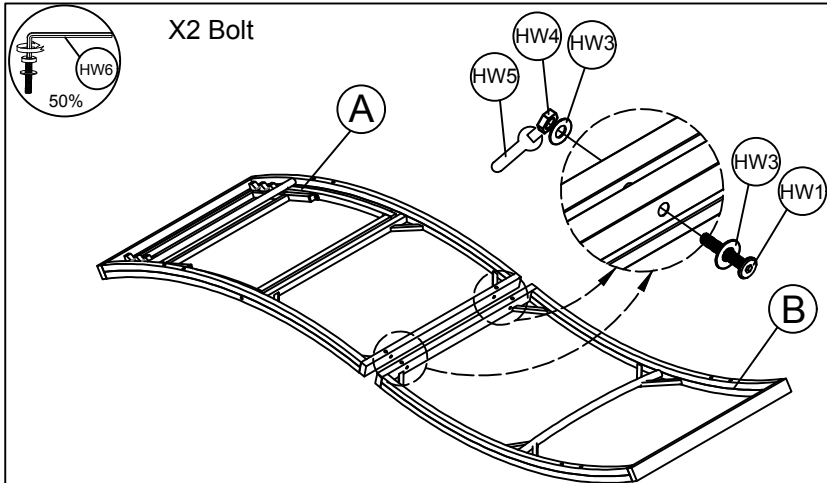
## PREPARATION

\* Before beginning assembly of product, make sure all parts are present. Compare parts with part contents list and hardware contents list.

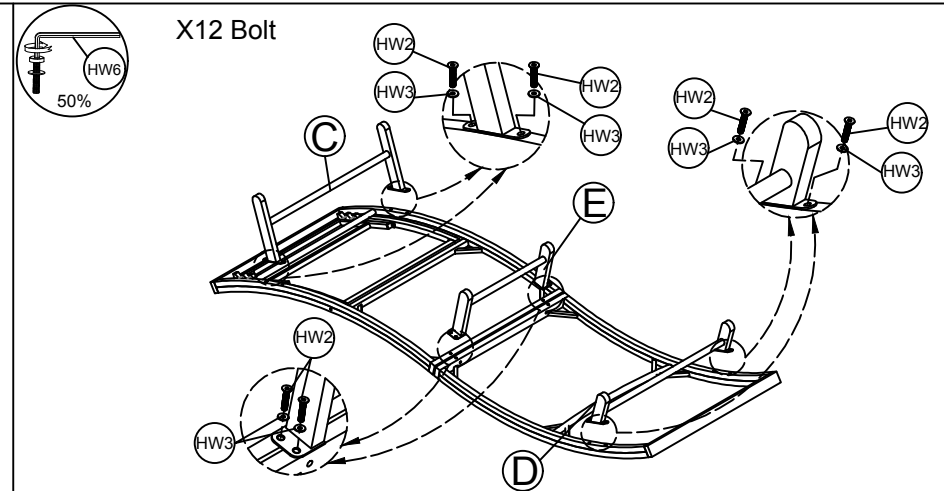
\* If any part is missing or damaged, do not attempt to assemble the product.

\* Estimated Assembly Time: **15 minutes.**

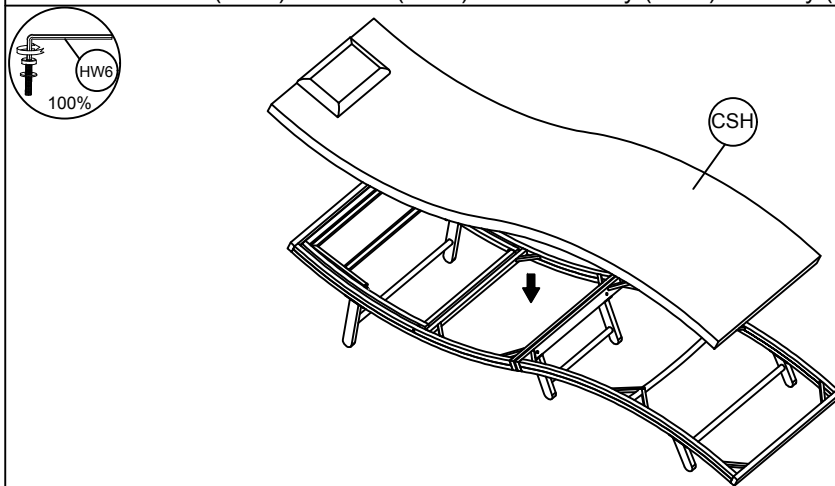
\* Tools Required for Assembly (included): **Allen Key**



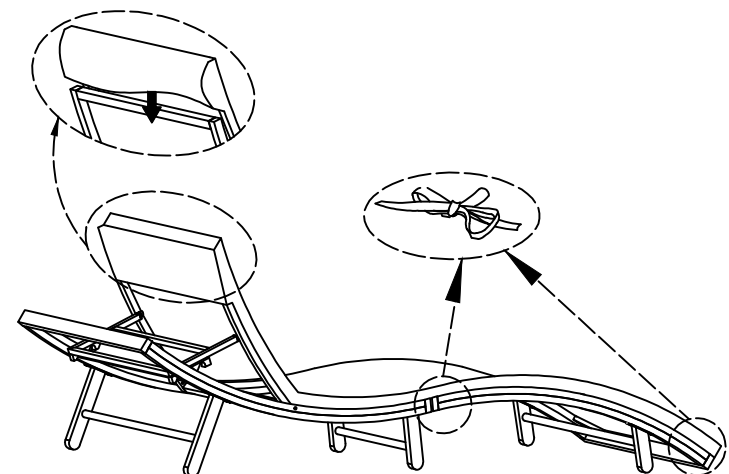
STEP 1: Connect First Frame (A) & Second Frame (B), tighten Bolt (HW1), Flat Washer (HW3) and Hex (HW4) with Allen Key (HW6) and Key (HW5).



STEP 2: Connect Long Leg (C), Short Leg (D), Middle Leg (E) & The Part from Step 1, tighten Bolt (HW2) & Flat Washer (HW3) with Allen Key (HW6).



STEP 3: Put Cushion (CSH).



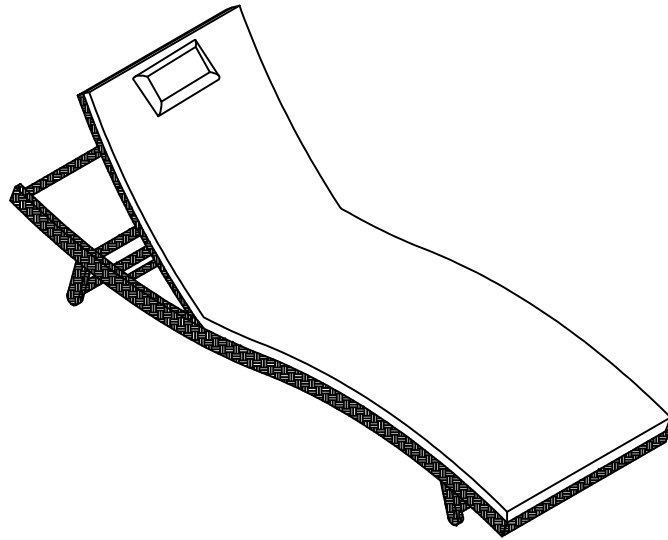
STEP 4: Tie Cushion to finish Sunlounger

## PREPARATION

---

- \* Before beginning assembly of product, make sure all parts are present. Compare parts with part contents list and hardware contents list.
- \* If any part is missing or damaged, do not attempt to assemble the product.
- \* Estimated Assembly Time: **15 minutes.**
- \* Tools Required for Assembly (included): **Allen Key**

### OPTION 1



### OPTION 2

