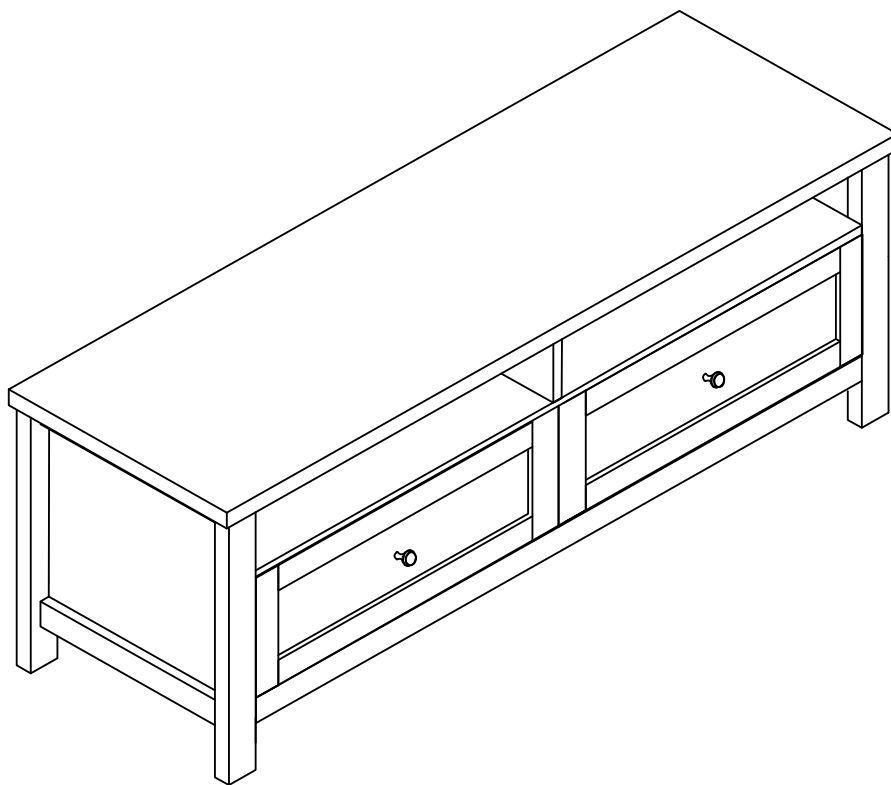


TV UNIT

Instruction manual





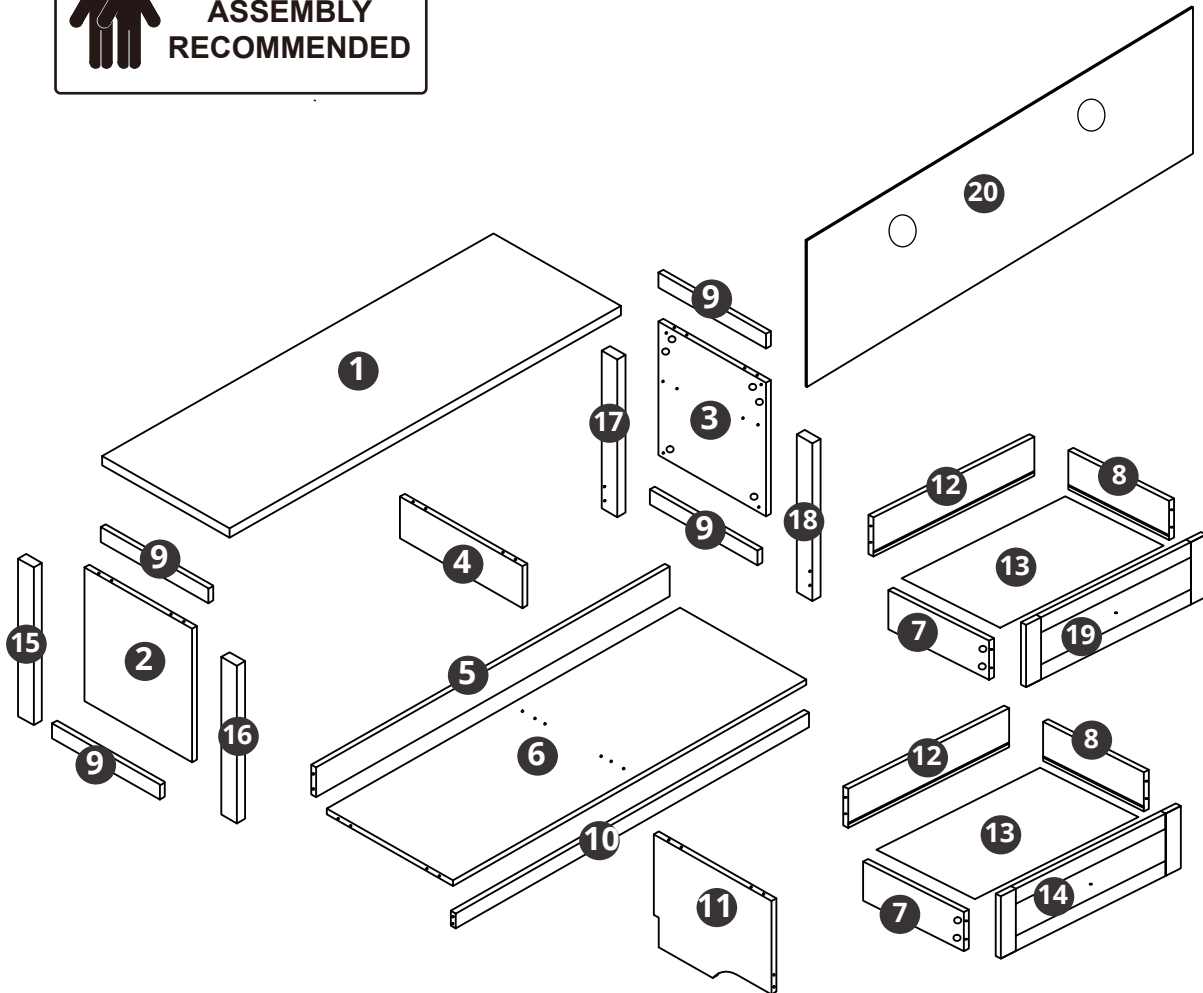
SAFETY AND CARE ADVICE

PLEASE READ THESE INSTRUCTIONS CAREFULLY AND KEEP FOR FUTURE

- *Check you have all the components and tools listed on pages 2 or 3.*
- *Remove all fittings from the plastic bags and separate them into their groups.*
- *Keep children and animals away from the work area, small parts could choke if swallowed.*
- *Make sure you have enough space to layout the parts before starting.*
- *Do not stand or put weight on the product, this could cause damage.*
- *Assemble on a soft level surface to avoid damaging the unit or your floor (use opened out unit carton).*
- *We do not recommend the use of power drill/drivers for inserting screws, as this could damage the unit. Only use hand screwdrivers.*

COMPONENTS — PANELS

Please check you have all the panels listed below:



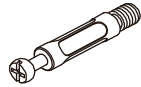
PANEL LIST

1	Top Panel	x1	14	Drawer Front Panel	x1
2	Left Side Panel	x1	15	Left Back Frame	x1
3	Right Side Panel	x1	16	Left Front Frame	x1
4	Middle Panel	x1	17	Right Back Frame	x1
5	Back Base Panel	x1	18	Right Front Frame	x1
6	Bottom Panel	x1	19	Drawer Front Panel	x1
7	Drawer Left Side Panel	x2	20	Back Panel	x1
8	Drawer Right Side Panel	x2			
9	Side Cross Bar	x4			
10	Front Base Panel	x1			
11	Bottom Support Leg	x1			
12	Drawer Back Panel	x2			
13	Drawer Base Panel	x2			

COMPONENTS — FITTINGS

Please check you have all the fittings listed below:

A



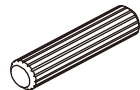
Peg M6*35mm x35

B



Lock M15*12mm x35

C



Dowel M8*30mm x25

D



Handles x2

E



Screw M4*40mm x12

F



Screw M3.5*12mm x20

G



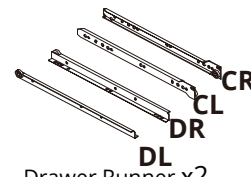
Pin x24

H



Plastic Feet x5

CR CL DR DL



Drawer Runner x2

I



Screw M4*25mm x12

J



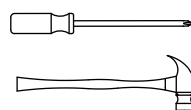
Screw M4*10mm x2

K



Hole cover x6



TOOLS NEEDED
(We don't provide)

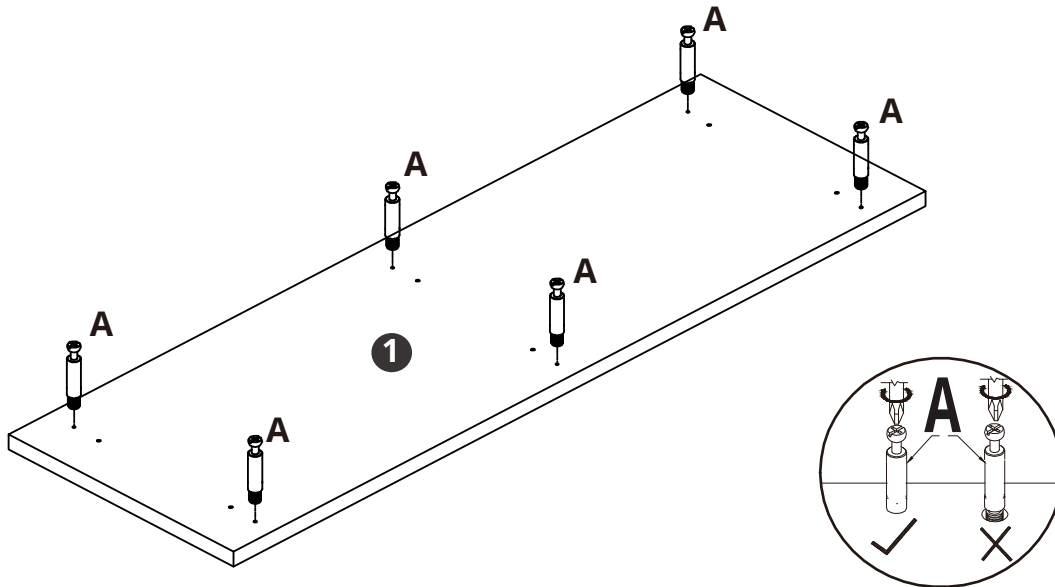


Phillips Screwdriver x 1
Hammer x 1

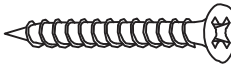

ASSEMBLY INSTRUCTIONS

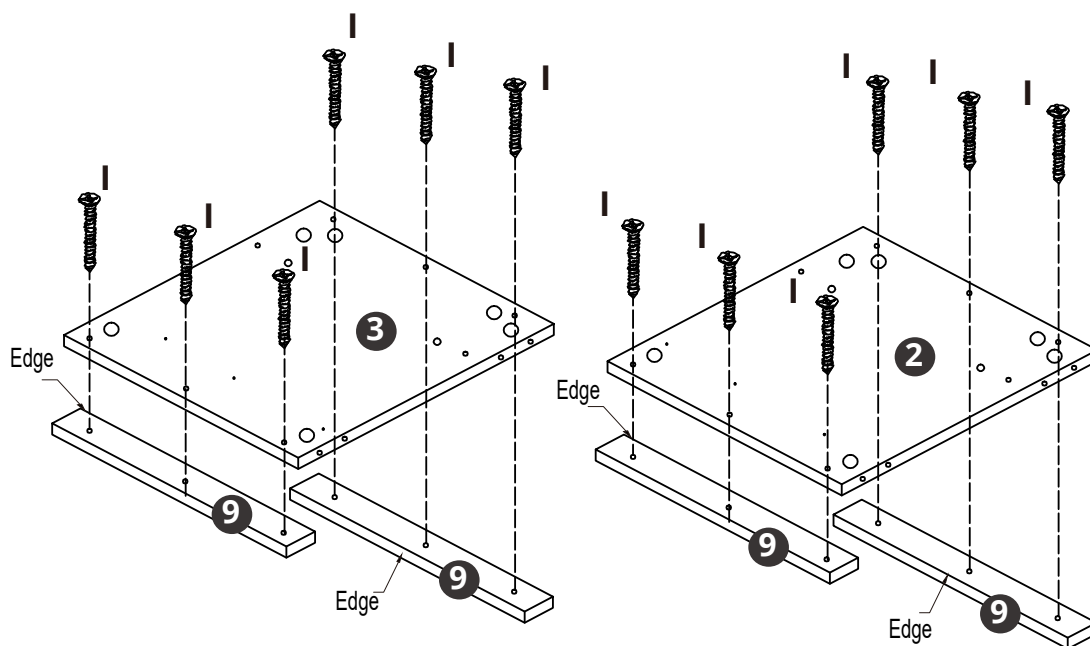
Step 1

A		6	
---	--	---	---



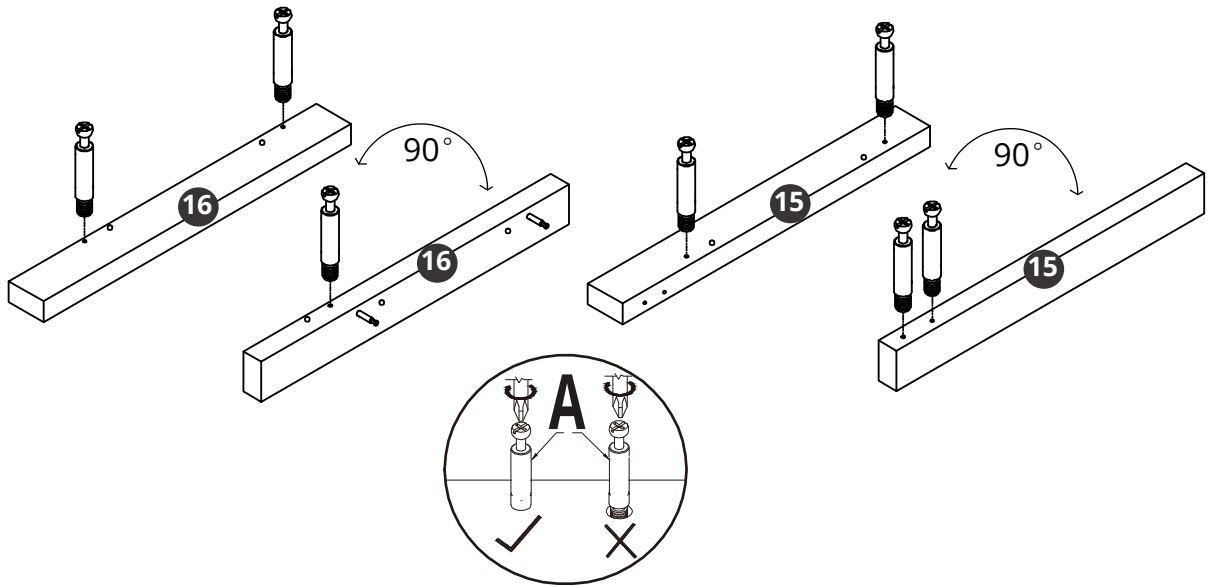
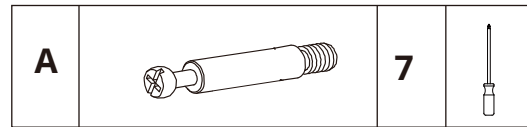
Step 2

I		12	
---	--	----	---

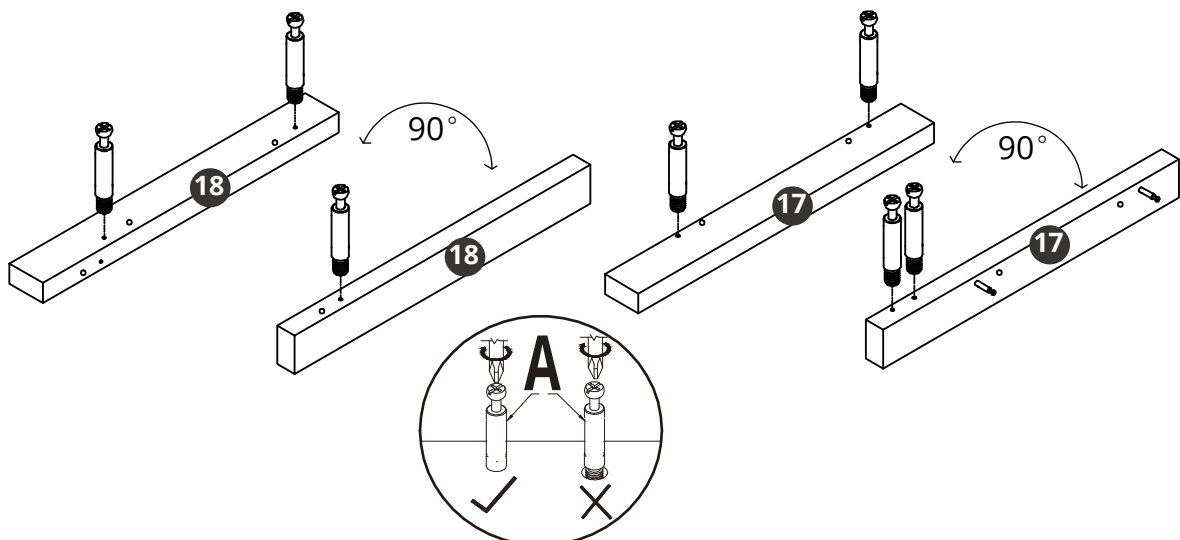
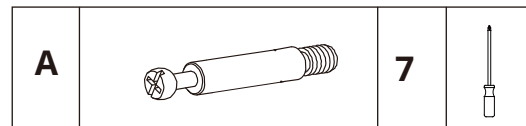


ASSEMBLY INSTRUCTIONS

Step 3






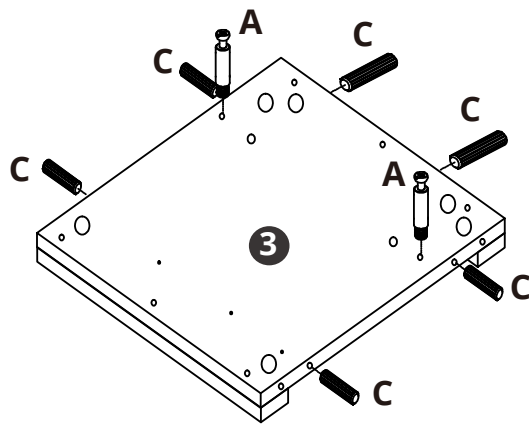
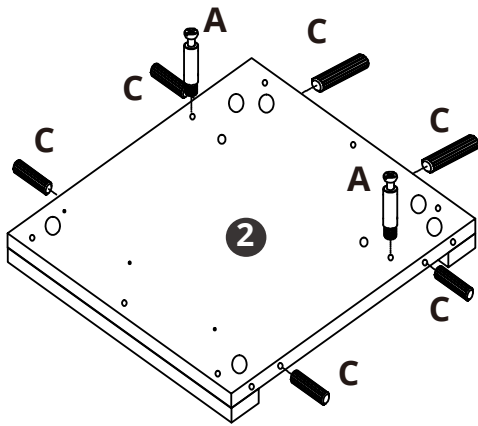
Step 4



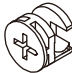

ASSEMBLY INSTRUCTIONS

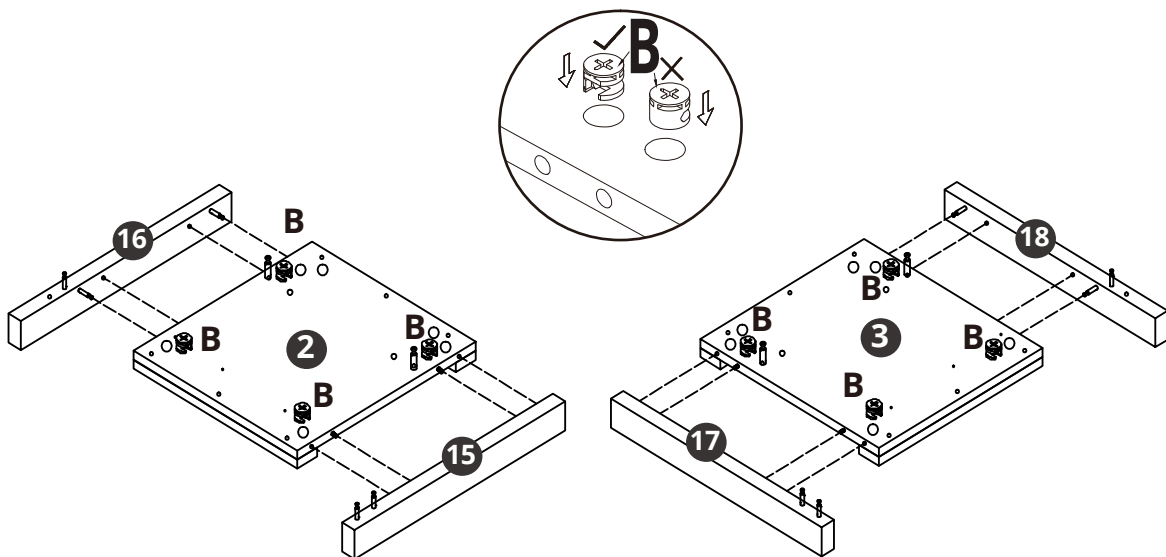
Step 5

C		12	
A		4	







Step 6

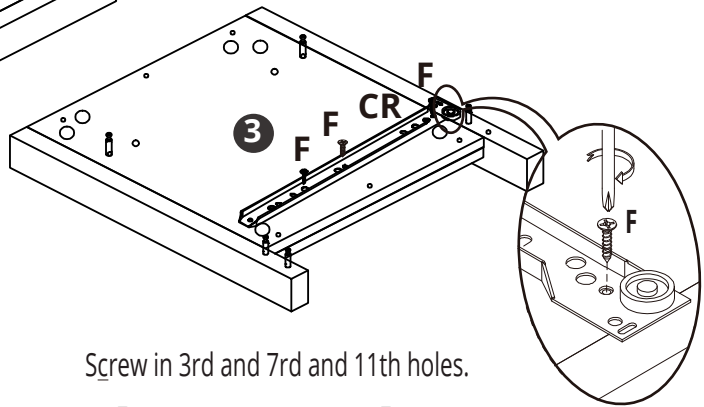
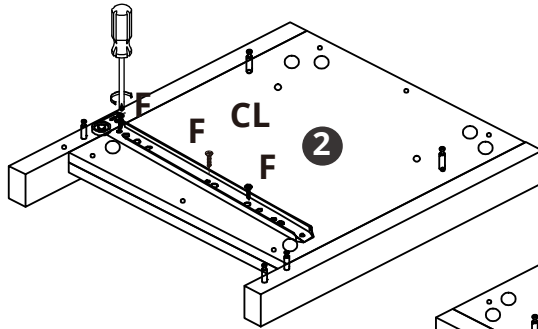
B		8	
---	---	---	---



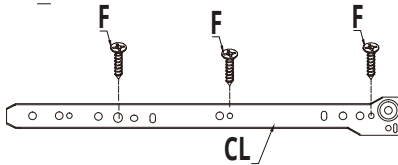
ASSEMBLY INSTRUCTIONS

Step 7

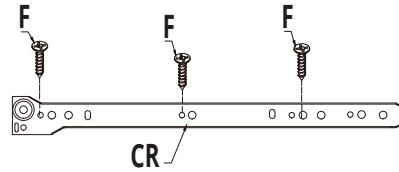
F		6	
CL		1	
CR		1	






Screw in 3rd and 7rd and 11th holes.

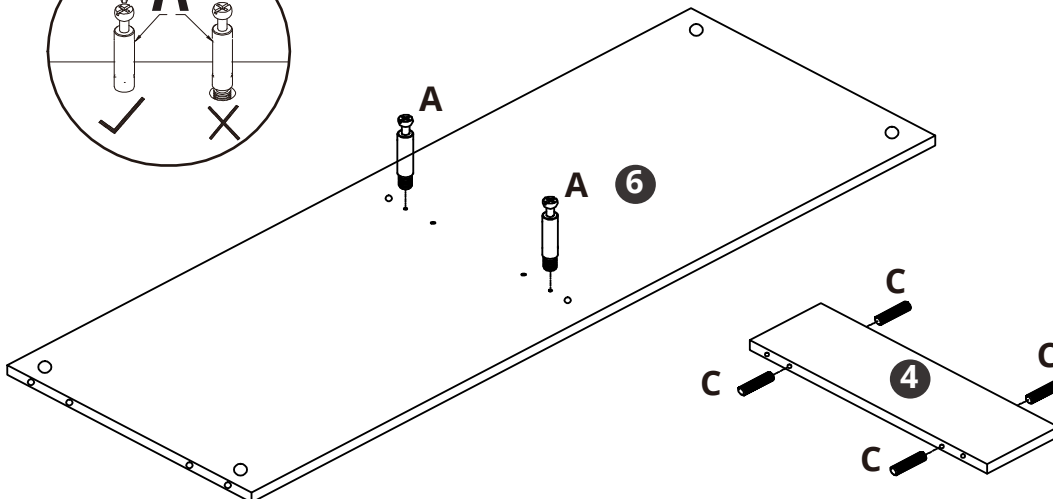
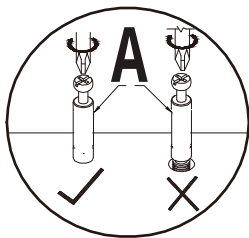


Screw in 3rd and 7rd and 11th holes.



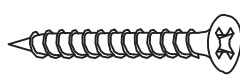

Step 8

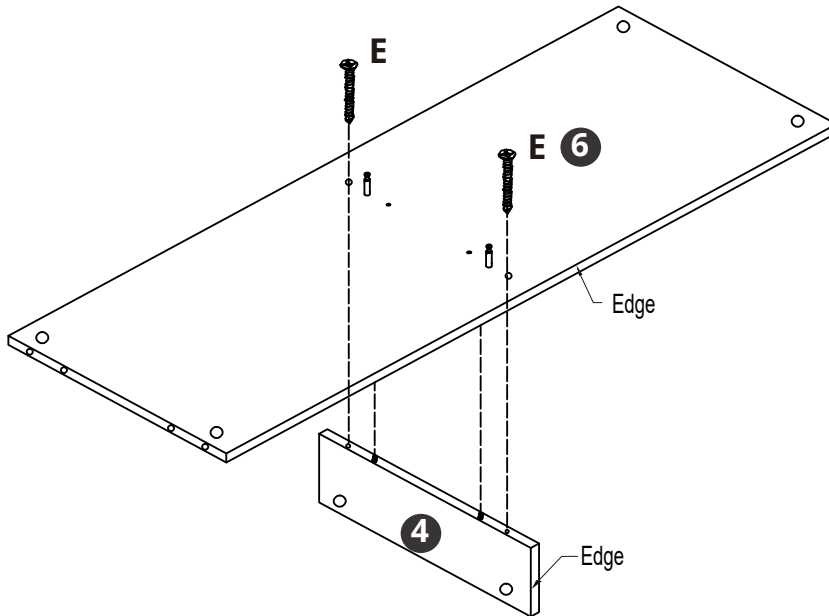
A		2	
C		4	








ASSEMBLY INSTRUCTIONS

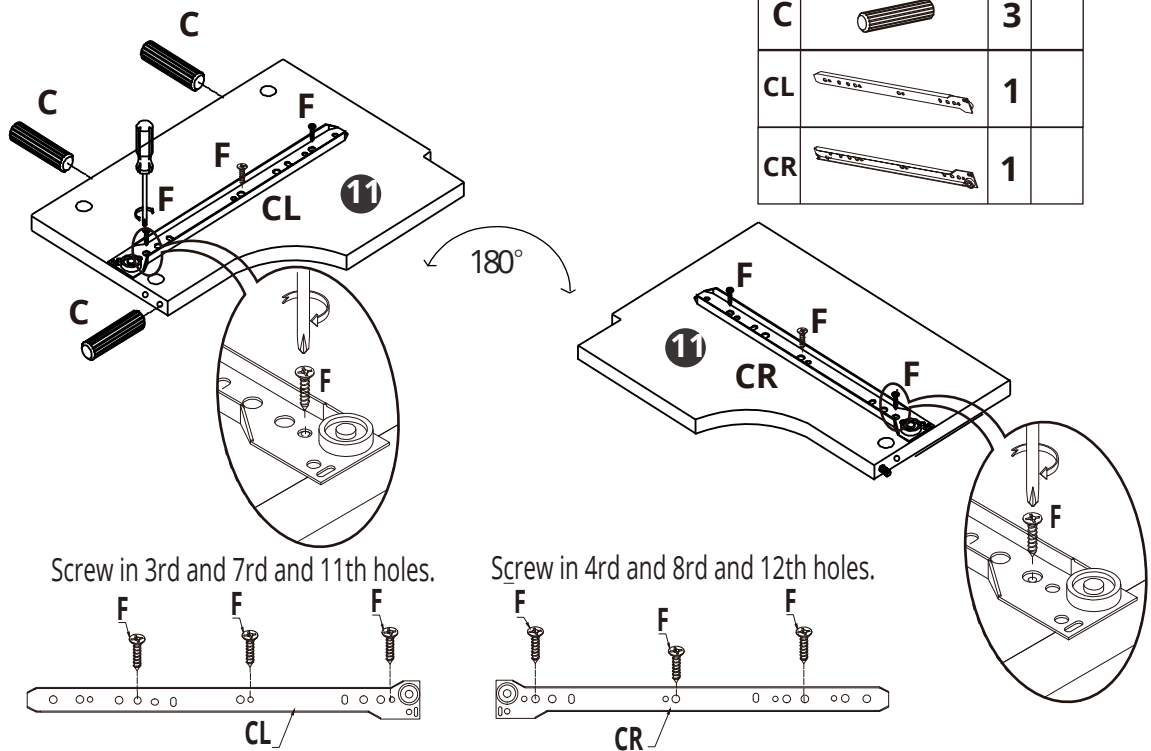
Step 9

E		2	
---	--	---	---








Step 10

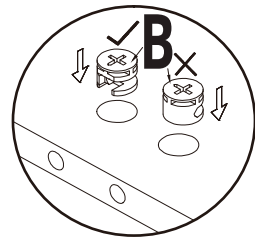
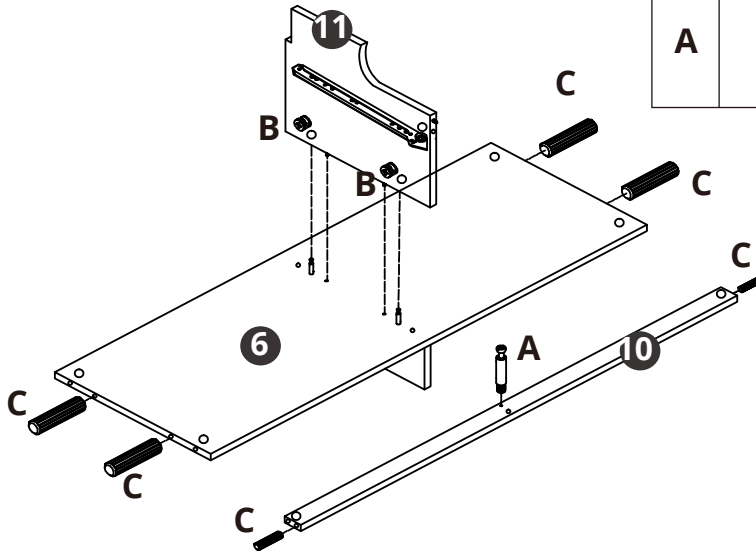
F		6	
C		3	
CL		1	
CR		1	





ASSEMBLY INSTRUCTIONS

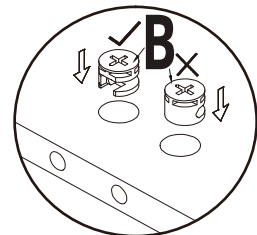
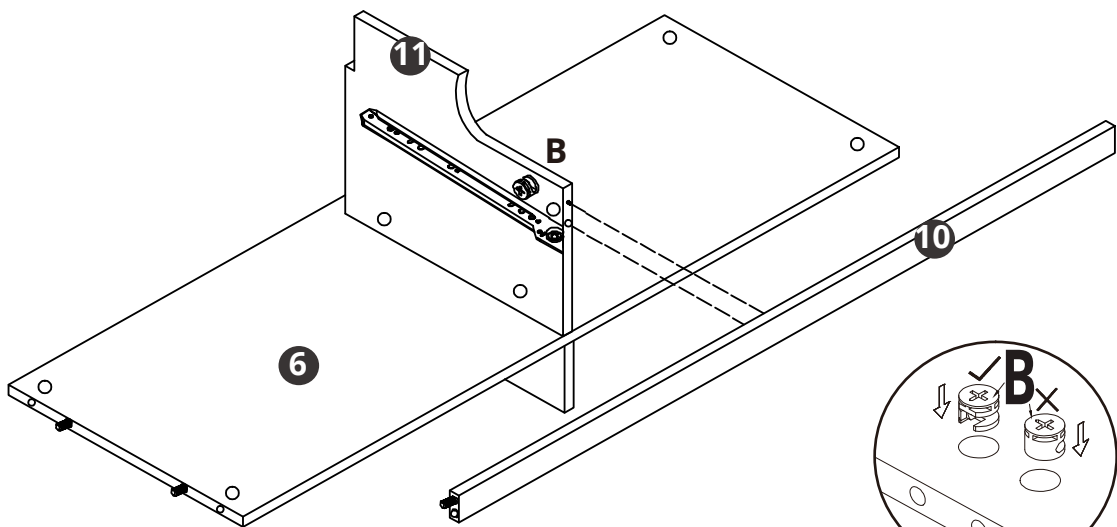
Step 11

C		6	
B		2	
A		1	



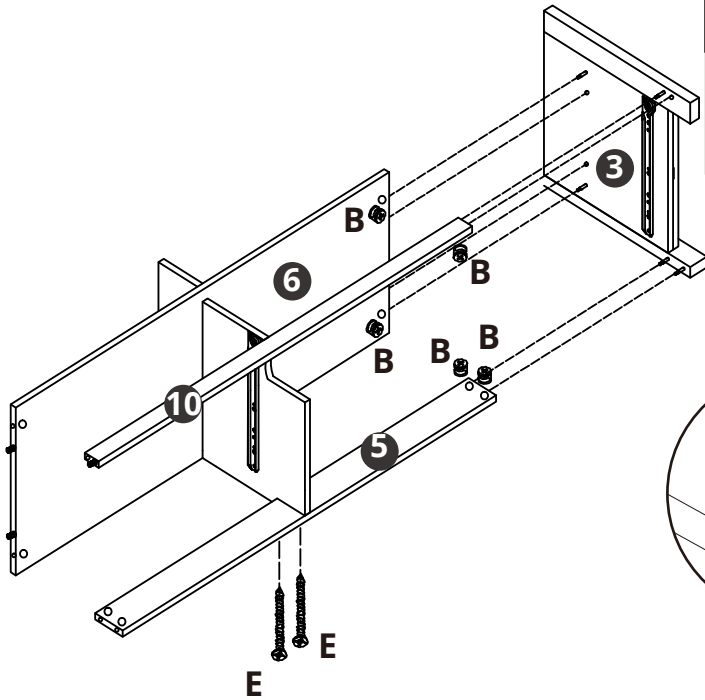
Step 12

B		1	
---	---	---	---

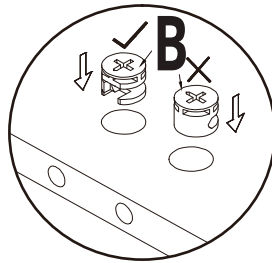


ASSEMBLY INSTRUCTIONS

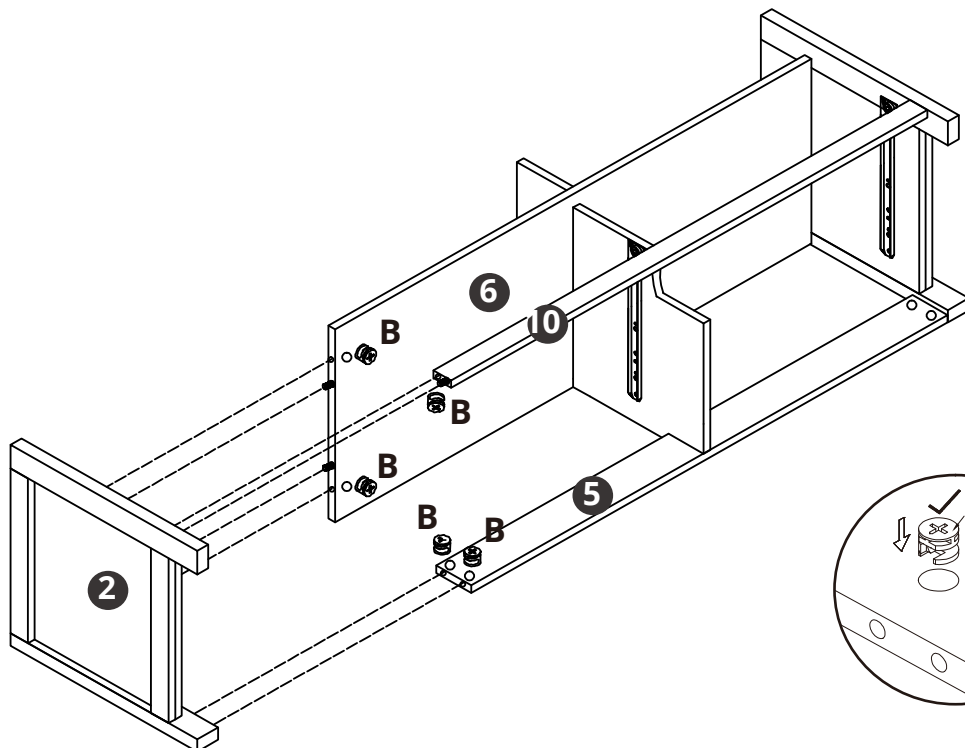
Step 13



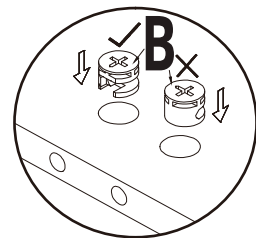
B		5	
E		2	



Step 14

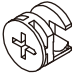




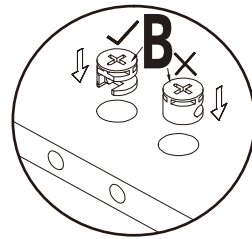
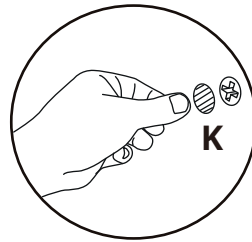
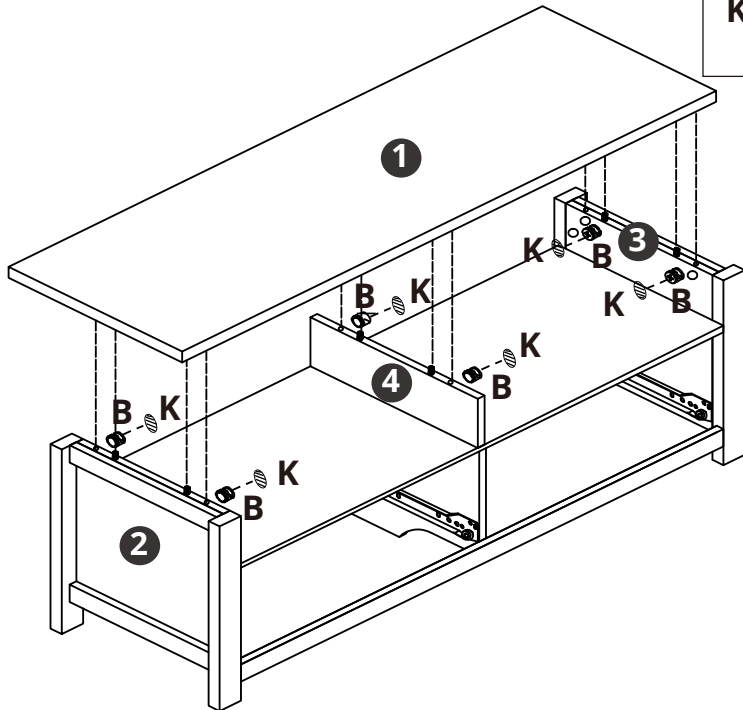
B		5	
---	--	---	--



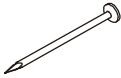



ASSEMBLY INSTRUCTIONS

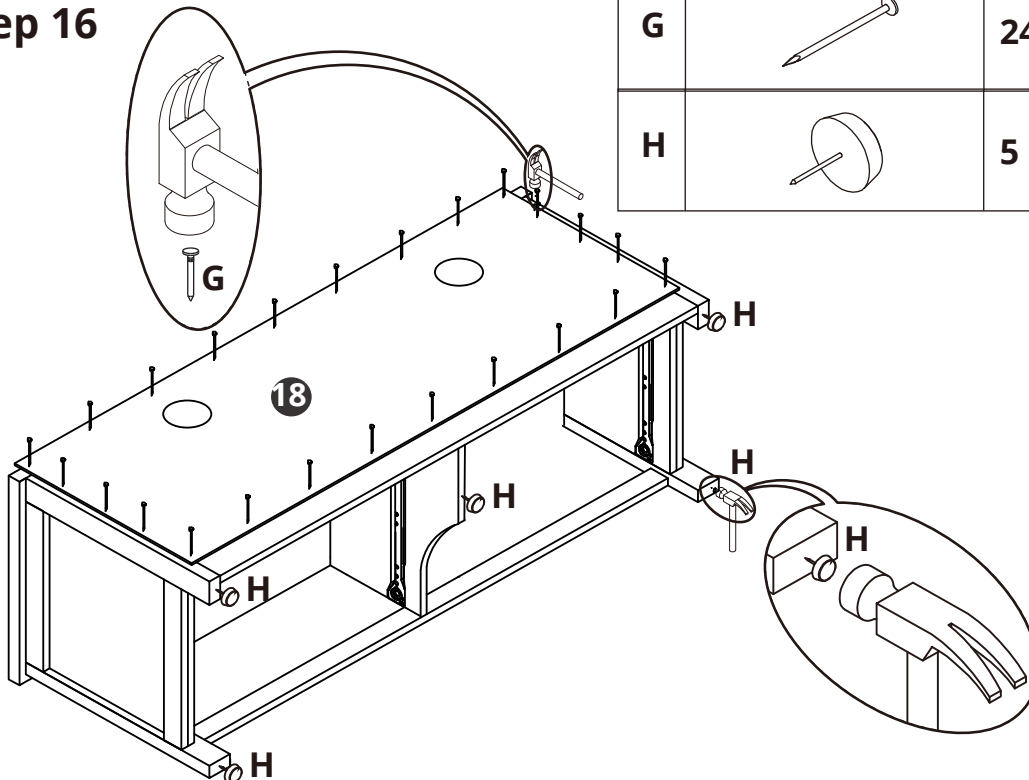
Step 15

B		6	
K		6	



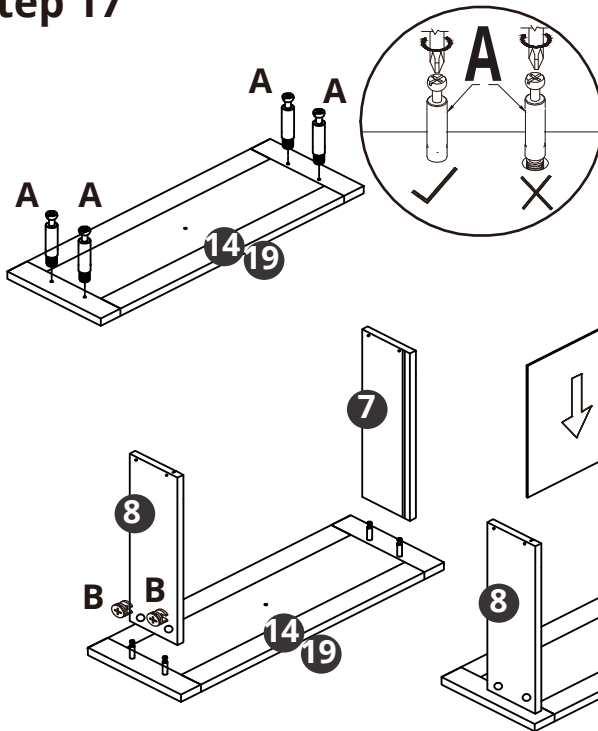
Step 16





G		24	
H		5	

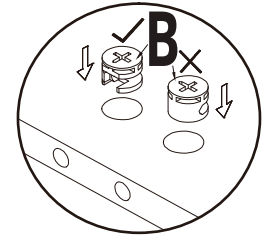


ASSEMBLY INSTRUCTIONS

Step 17

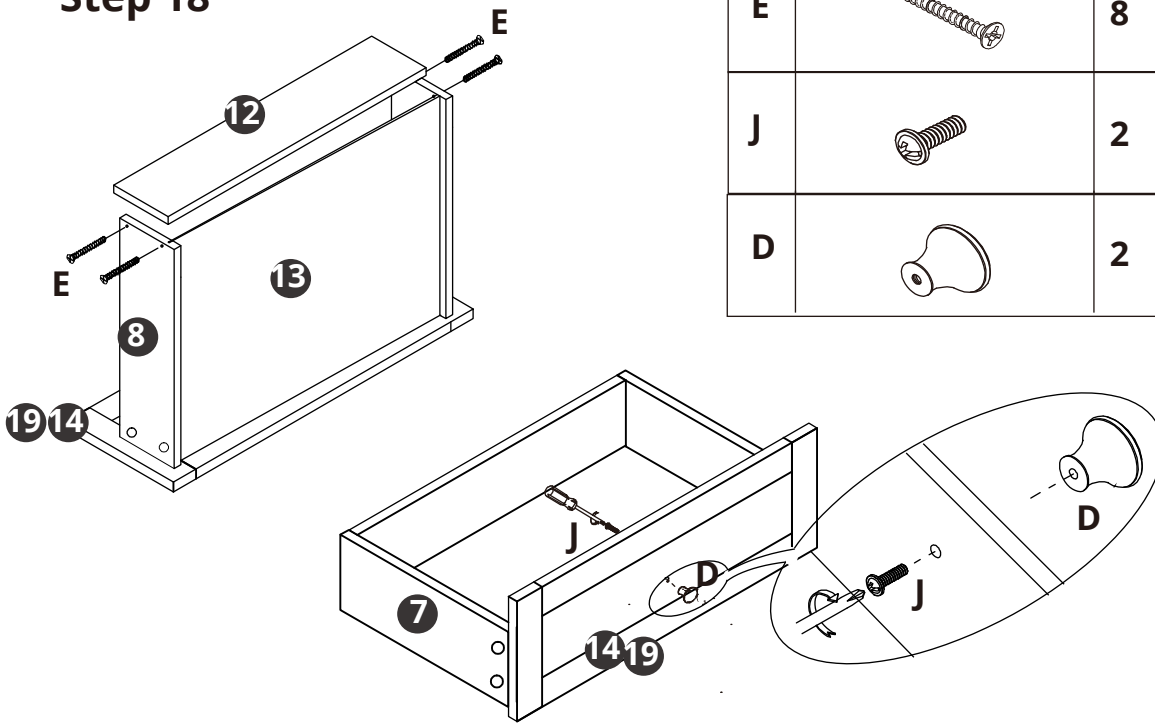







A		8	
B		8	



X2

Step 18



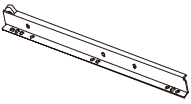
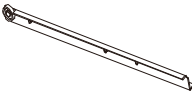


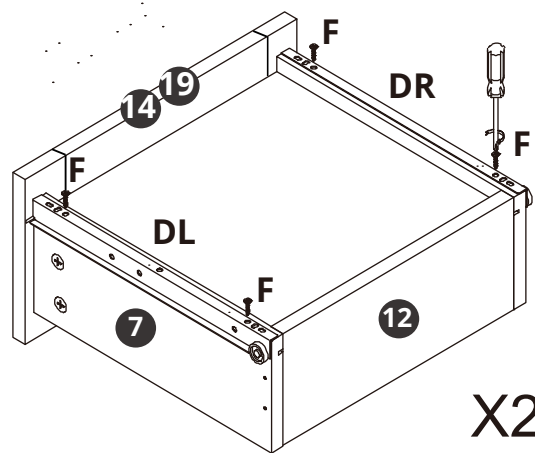
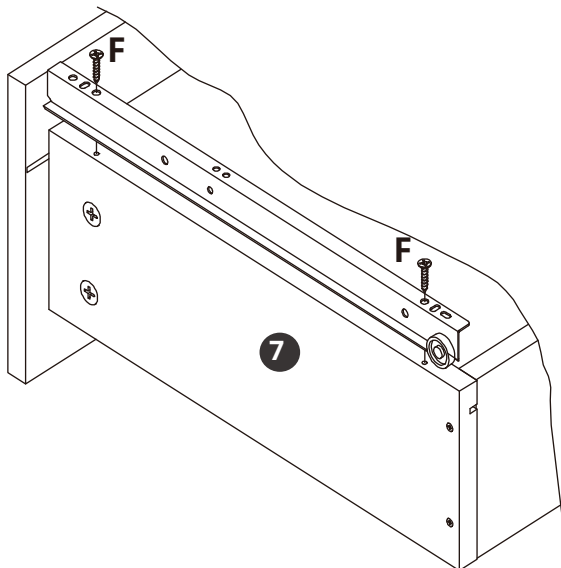
E		8	
J		2	
D		2	

X2

ASSEMBLY INSTRUCTIONS

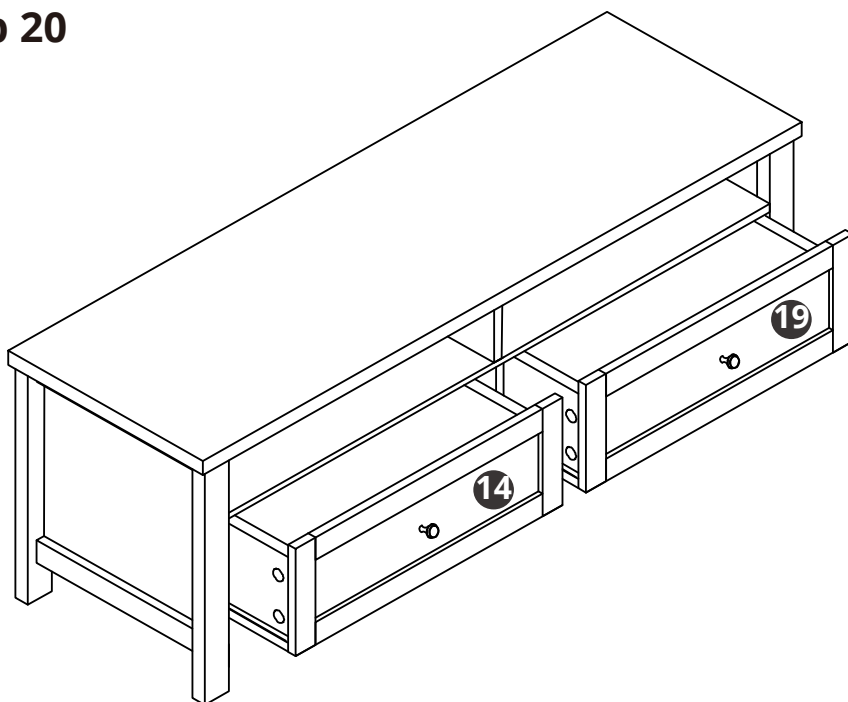
Step 19

F		8	
DR		2	
DL		2	



X2

Step 20



Congratulations!
Now you have finished assembling the product.