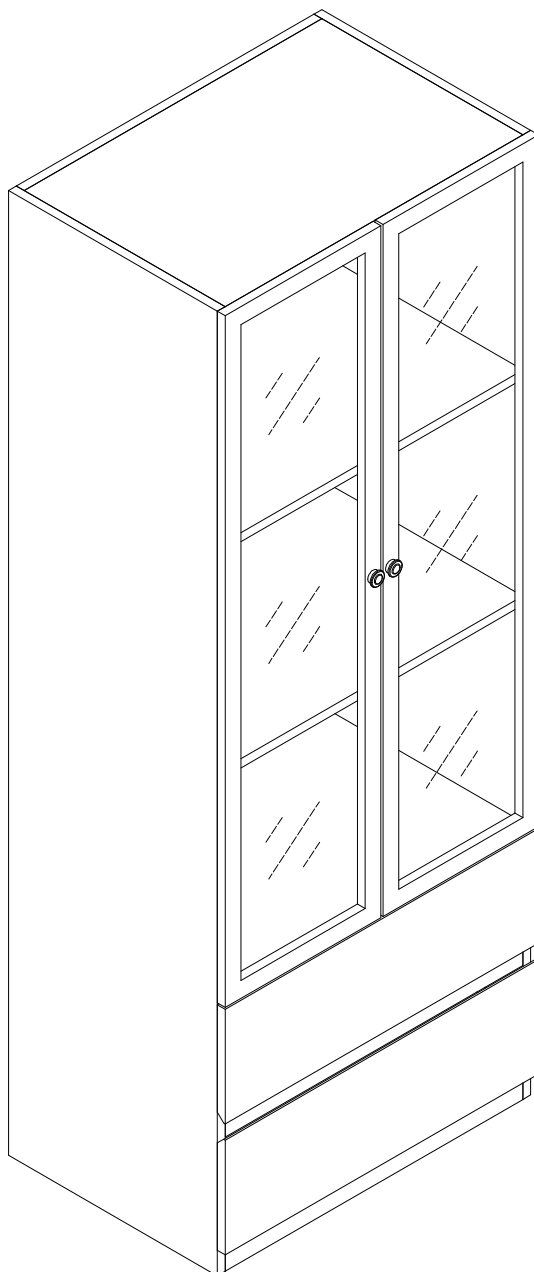
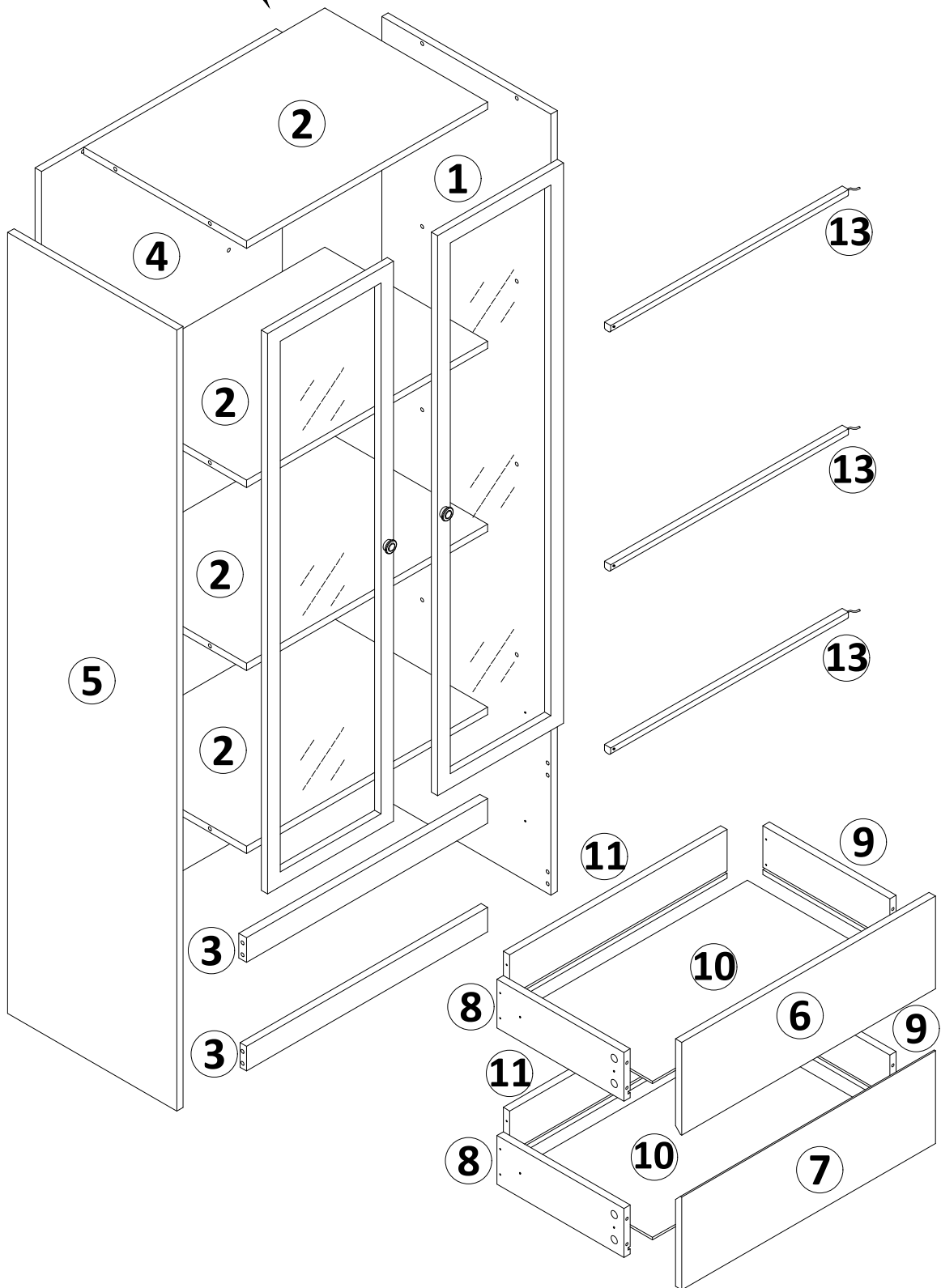


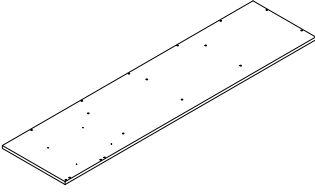
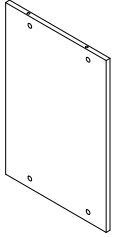
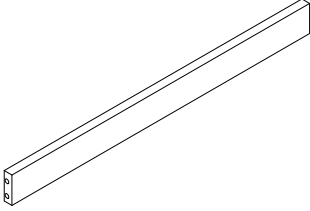
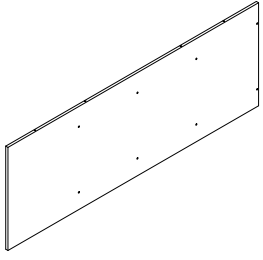
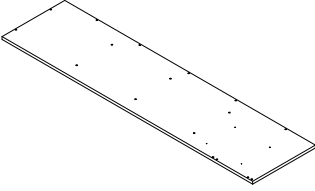
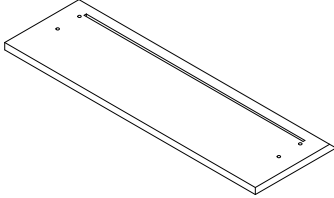
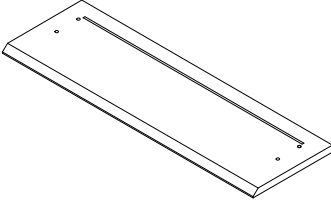
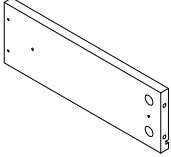
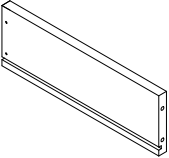
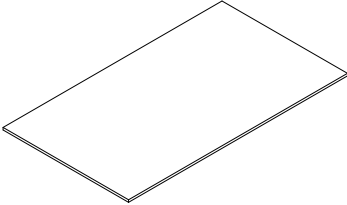
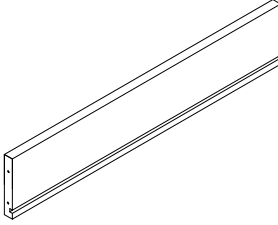

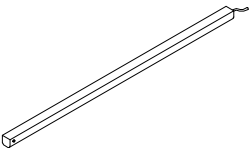
# Glass Display Cabinet



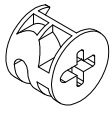
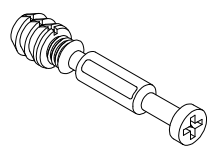
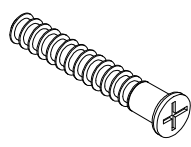
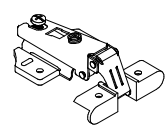
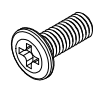

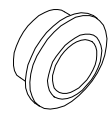
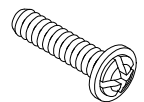
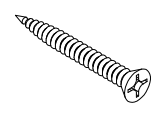
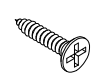
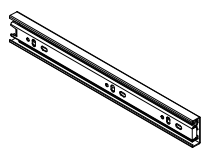
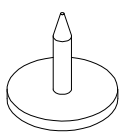
Each wooden board has an number sticker. Match them one-by-one according to the steps in the assembly manual.

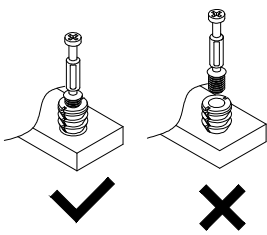


# PARTS LIST

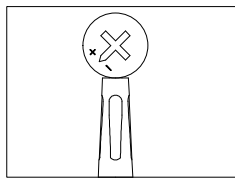
<b>1</b> 	<b>2</b> 	<b>3</b> 	<b>4</b> 
<b>1PC</b>	<b>4PCS</b>	<b>2PCS</b>	<b>1PC</b>
<b>5</b> 	<b>6</b> 	<b>7</b> 	<b>8</b> 
<b>1PC</b>	<b>1PC</b>	<b>1PC</b>	<b>2PCS</b>
<b>9</b> 	<b>10</b> 	<b>11</b> 	<b>12</b> 
<b>2PCS</b>	<b>2PCS</b>	<b>2PCS</b>	<b>2PCS</b>
<b>13</b> 	<p>·The number in the upper left corner indicates the panel code, and the number in the lower middle indicates the quantity.</p> <p>·If you encounter any missing or damaged panels, please contact us immediately at <a href="mailto:ATJafurn@outlook.com">ATJafurn@outlook.com</a>. We will prioritize resolving your issue promptly.</p>		
<b>3PCS</b>			

# HARDWARE LIST

<b>A</b>	<b>B</b>	<b>D</b>	<b>E</b>	<b>E1</b>
				
$\varnothing 15*10\text{MM}$ 42PCS	$\varnothing 6*35\text{MM}$ 42PCS	$\varnothing 7*38\text{MM}$ 8PCS	4PCS	$\varnothing 4*6\text{MM}$ 8PCS
<b>E2</b>	<b>F</b>	<b>G</b>	<b>H</b>	<b>I</b>
				
$\varnothing 3.5*16\text{MM}$ 16PCS	2PCS	$\varnothing 4*25\text{MM}$ 2PCS	$\varnothing 3.5*35\text{MM}$ 8PCS	$\varnothing 3.5*14\text{MM}$ 16PCS
<b>K</b>	<b>L</b>			
				
10"	4PCS	4PCS		

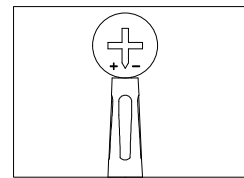


This part cannot be separated, please install in strict accordance with the assembly requirements.



**X**

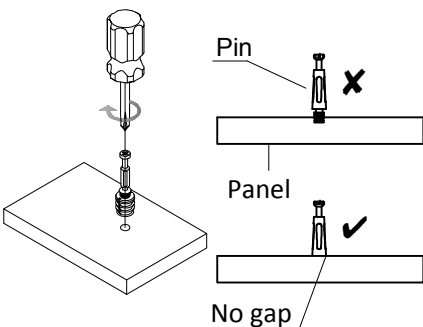
Adjust connecting piece direction until it is properly lined up with the hole.



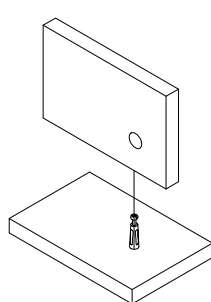
**✓**

Insert bolt when connecting piece direction is properly lined up.

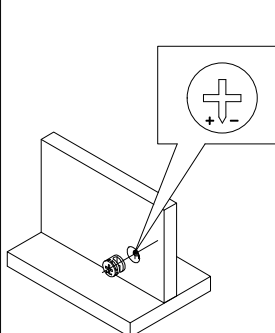
**1.**



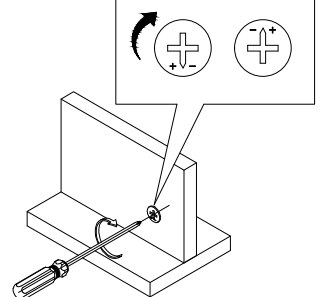
**2.**



**3.**

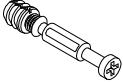



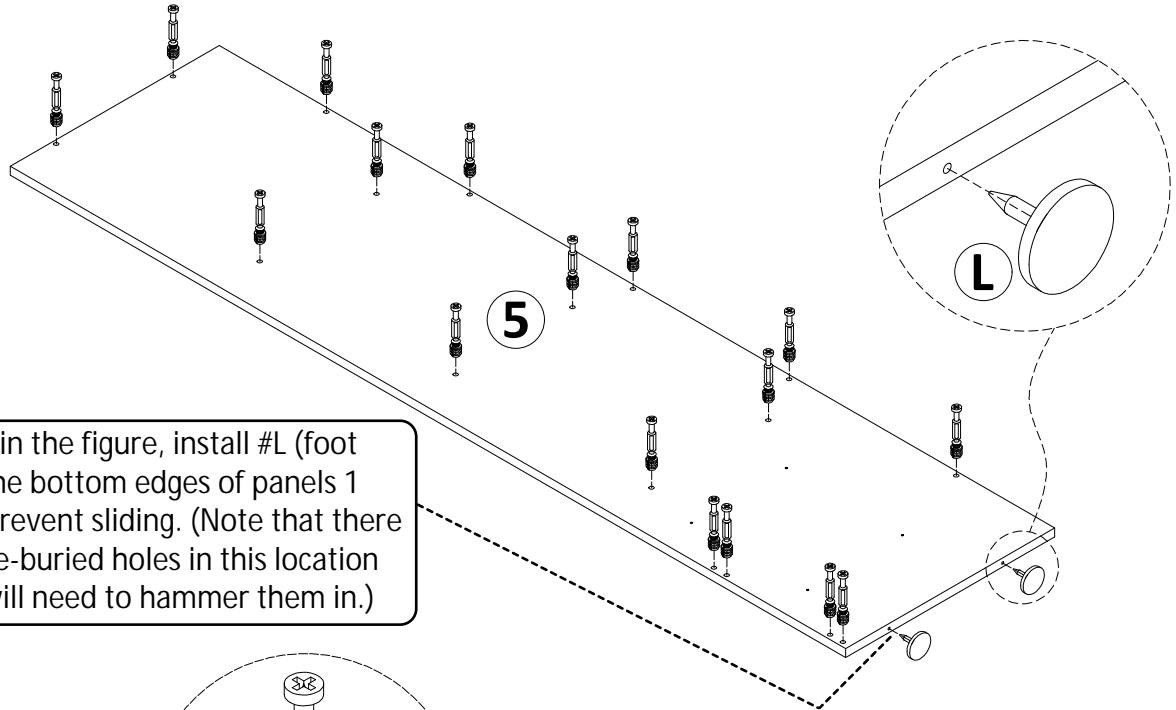
**4.**



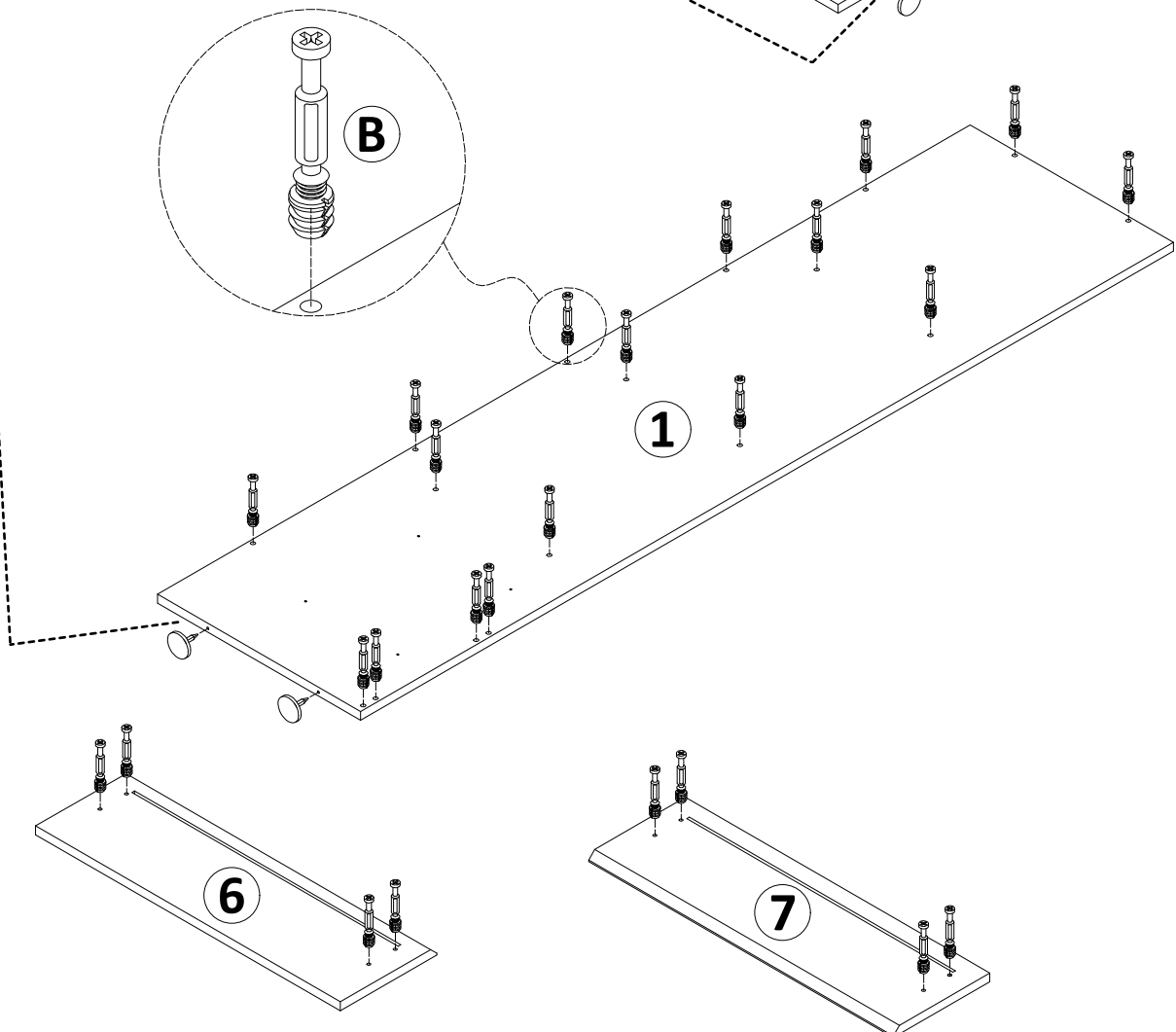
# Step 1

As shown in the diagram, screw #B (connector bolt) into the corresponding holes of the panels 1/5/6/7.

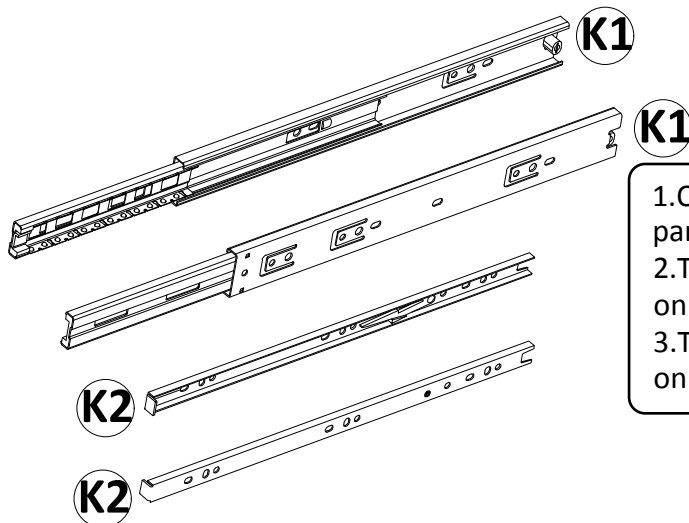
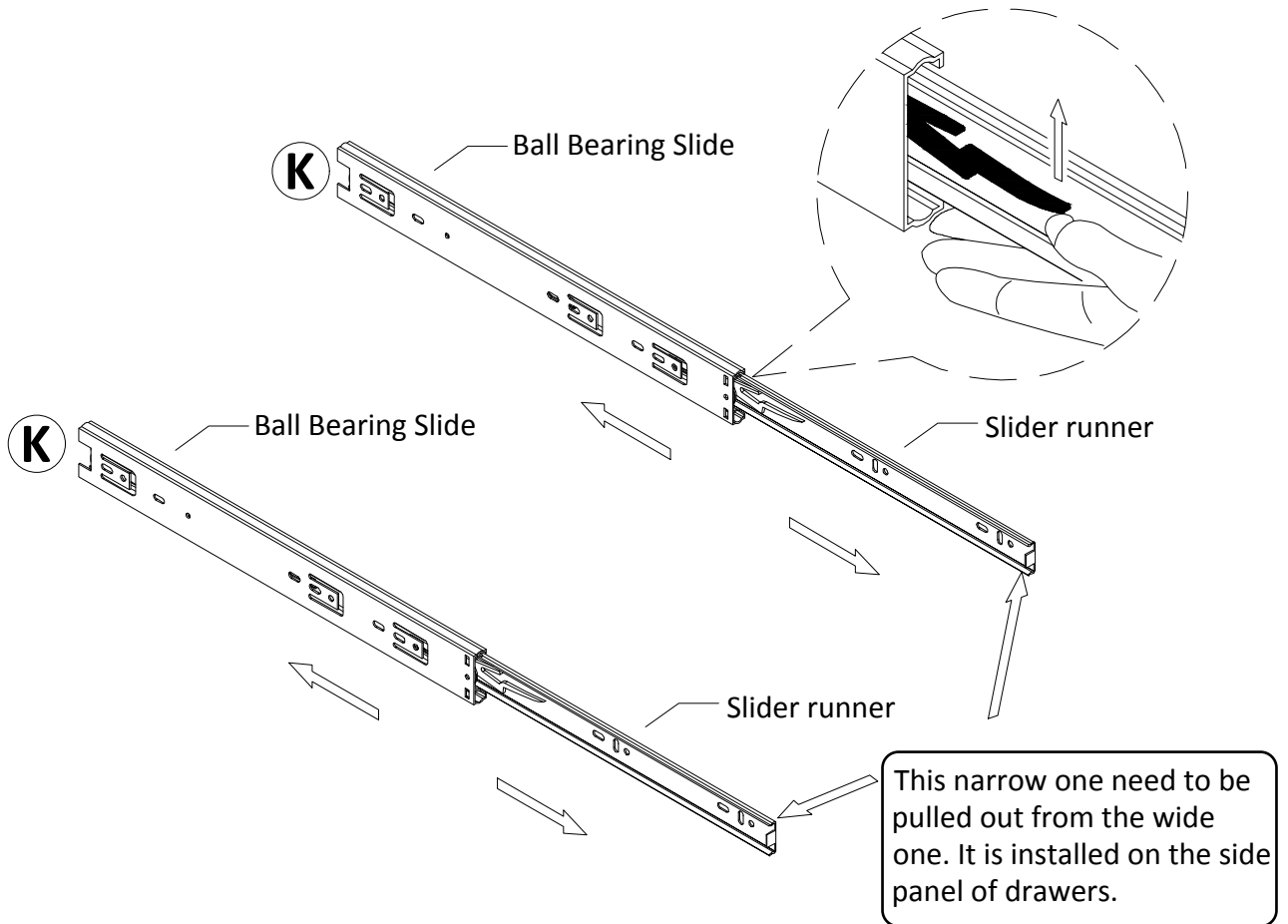
**B**  **X42**  
**L**  **X4**



As shown in the figure, install #L (foot nails) to the bottom edges of panels 1 and 5 to prevent sliding. (Note that there are no pre-buried holes in this location and you will need to hammer them in.)



## Step 2

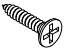



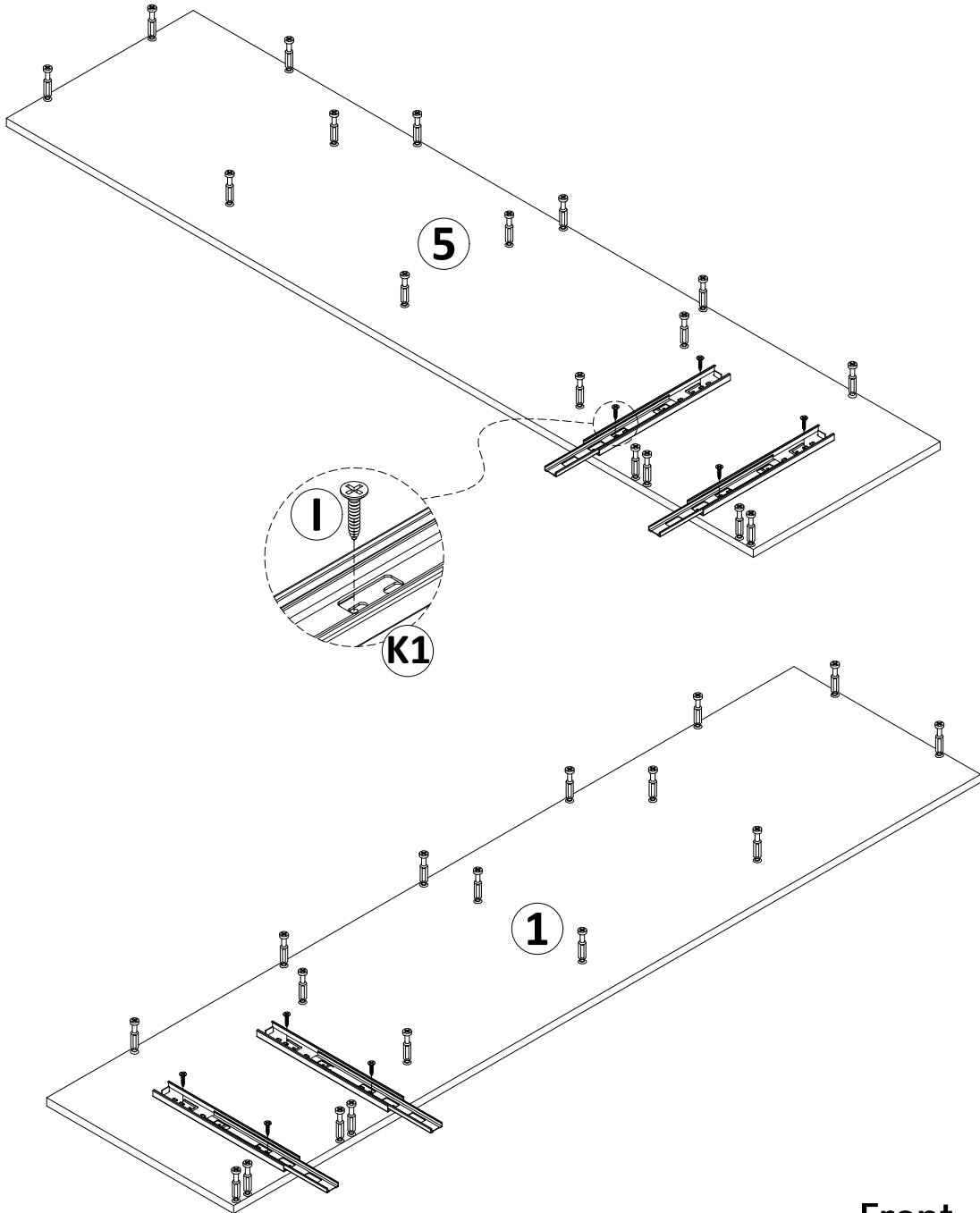
1. One set of guide rail should be four parts.
2. Two wide guide rails are installed on the side panel of the cabinet.
3. Two narrow guide rails are installed on the side panel of drawers.

**Attention:**  
Take care when installing the slide rails as they have been pre-lubricated.

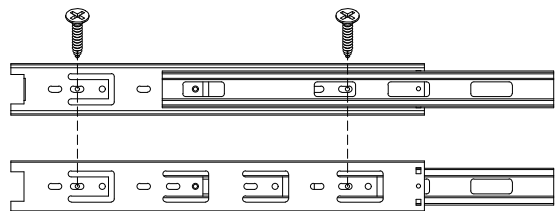
# Step 3

Secure the K1 (outer rail) to the pre-drilled holes on Panel 1 and Panel 5 using #1 (screws).

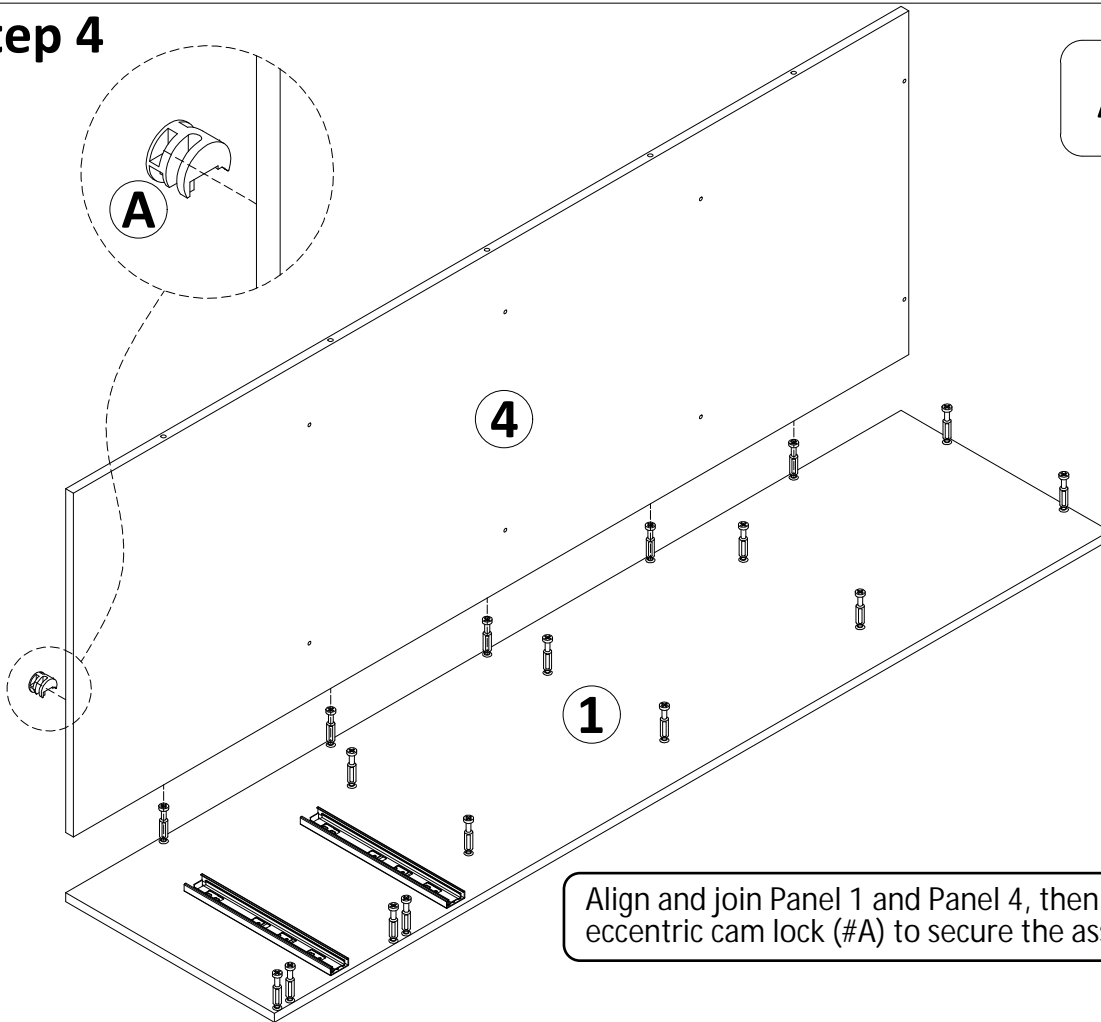
I		X8
K1		X4



Front



## Step 4

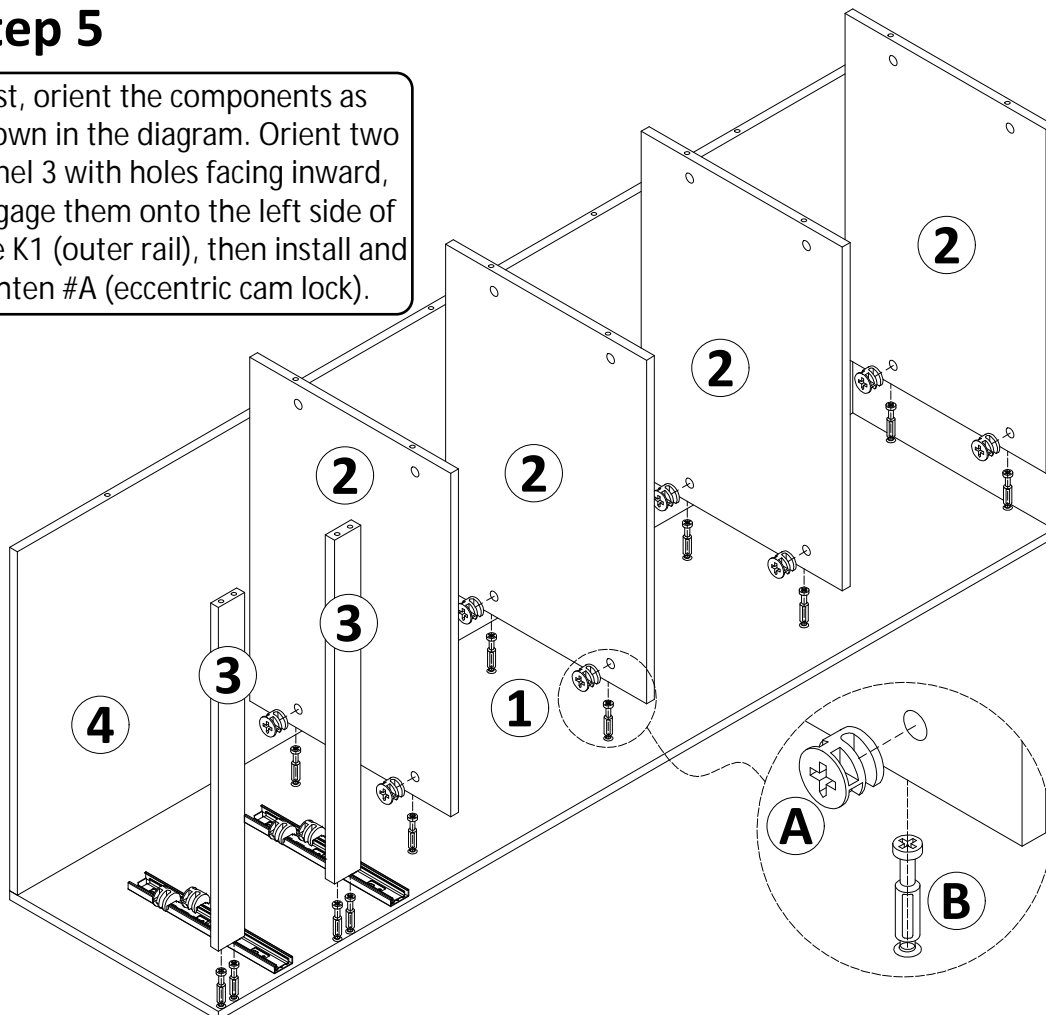


**A**  **X5**

Align and join Panel 1 and Panel 4, then install and tighten eccentric cam lock (#A) to secure the assembly.

## Step 5

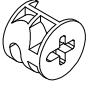
First, orient the components as shown in the diagram. Orient two Panel 3 with holes facing inward, engage them onto the left side of the K1 (outer rail), then install and tighten #A (eccentric cam lock).



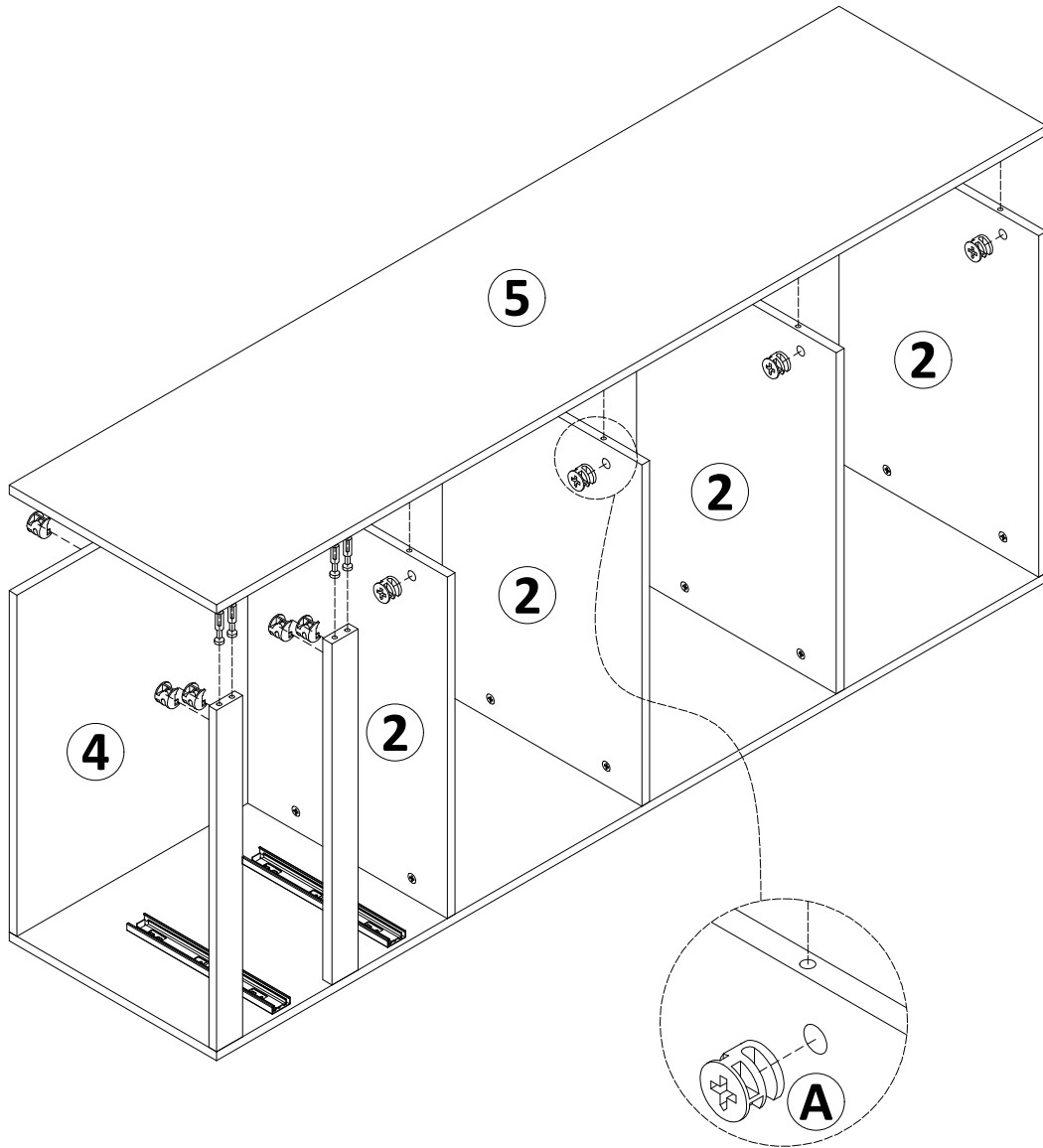
**A**  **X12**

Second, install the four Panels 2 onto Panel 1, ensuring that the side edge of Panel 2 without holes faces outward and the side edge with holes faces Panel 4. Tighten #A (eccentric cam lock) to secure.

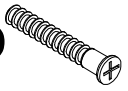
## Step 6

**A**  **X17**

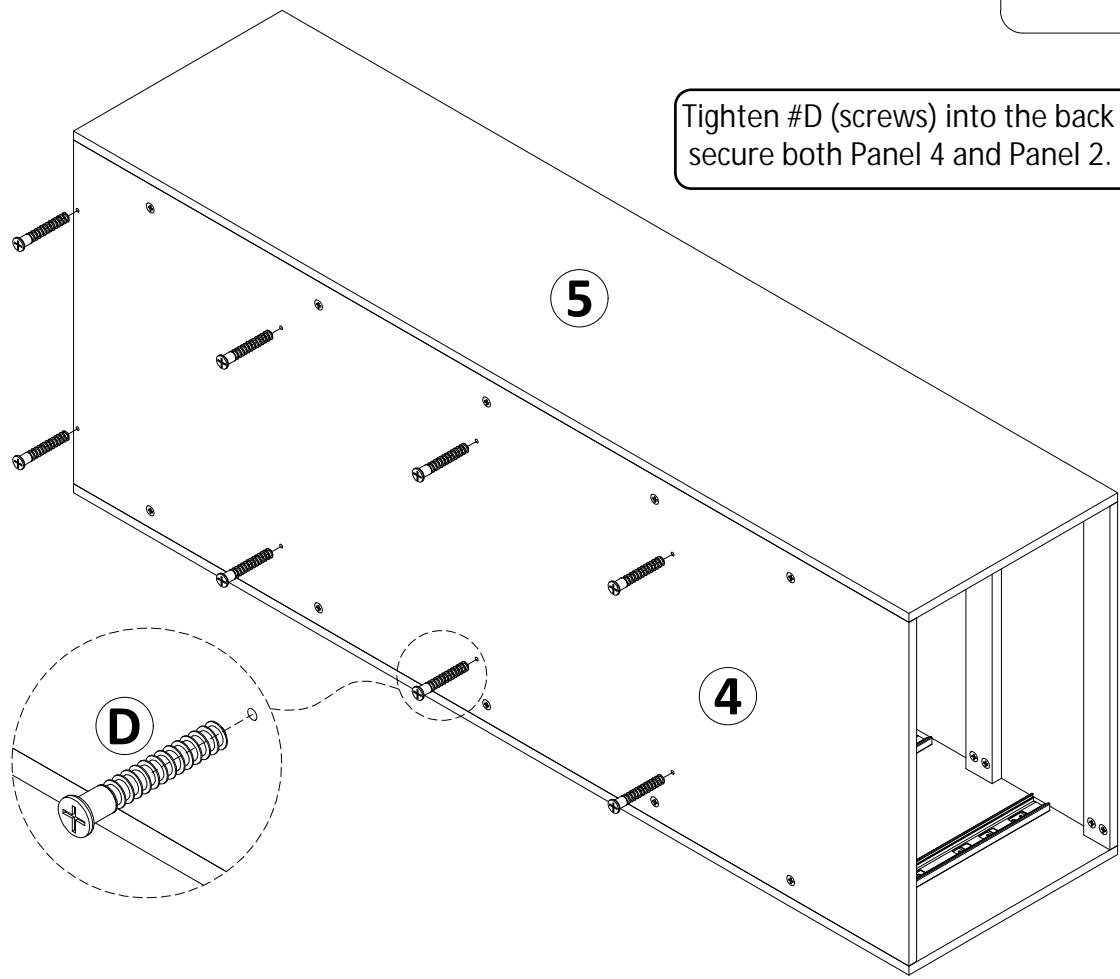
Align Panel 5 with the corresponding holes, install it, and tighten #A (eccentric cam lock) into the designated holes. (This step is recommended for two-person operation.)




## Step 7

**D**  **X8**

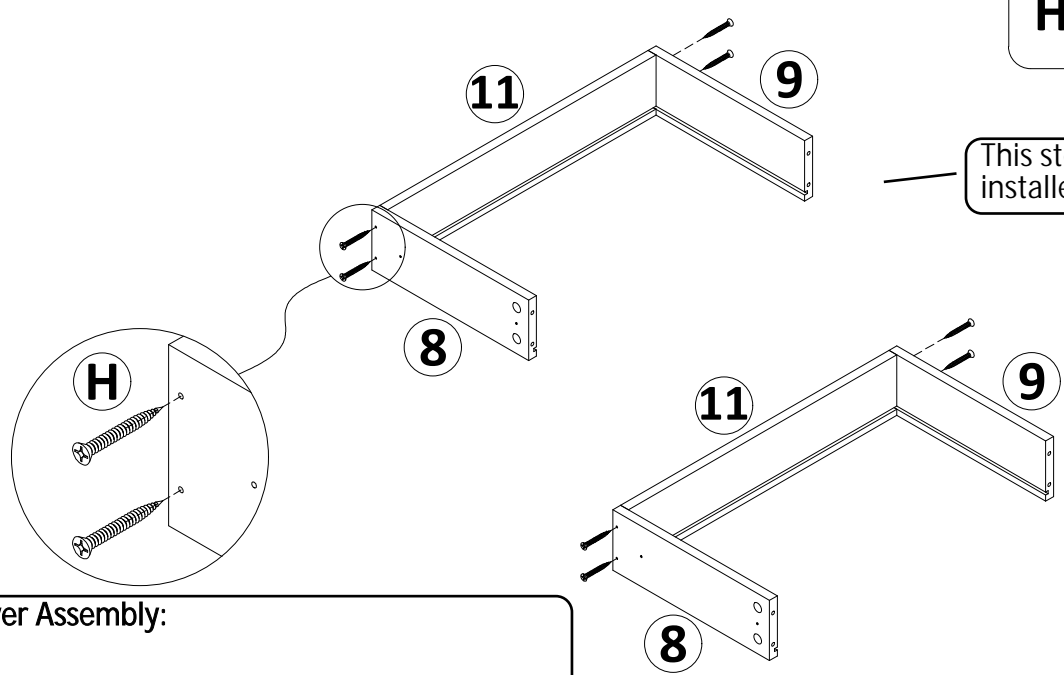
Tighten #D (screws) into the back of Panel 4 to secure both Panel 4 and Panel 2.



## Step 8

**H**  **X8**

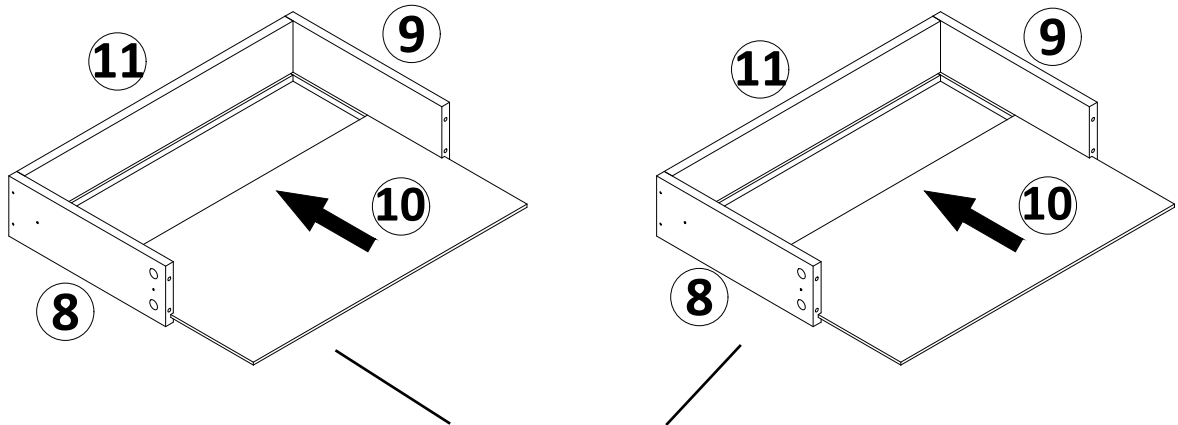
This step needs to be installed twice.



**Drawer Assembly:**  
Using #H (screws) secure Panel 8 and Panel 9 to both sides of Panel 11, ensuring the grooves are aligned in the same direction.

## Step 9

Insert the Panel 10 drawer base into the pre-assembled structure until it snaps into position.

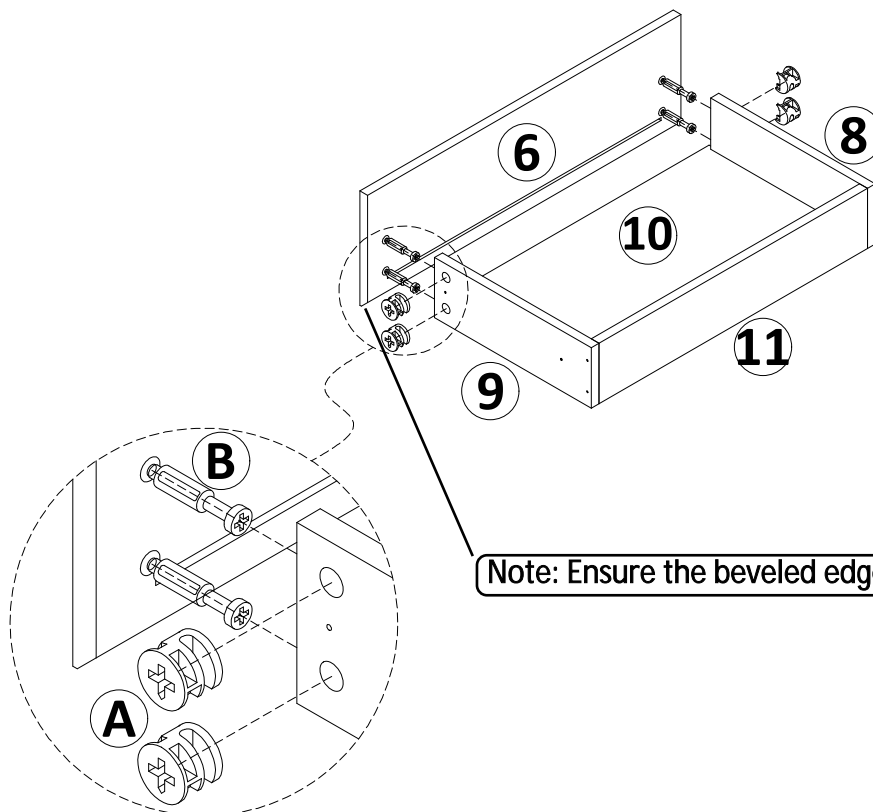


Push Panel 10 in. This step needs to be done twice.

## Step 10

Mount Panel 6 (drawer front) with the beveled edge facing downward, then secure it by tightening #A (eccentric cam lock) into the side mounting holes.



**A**  **X4**

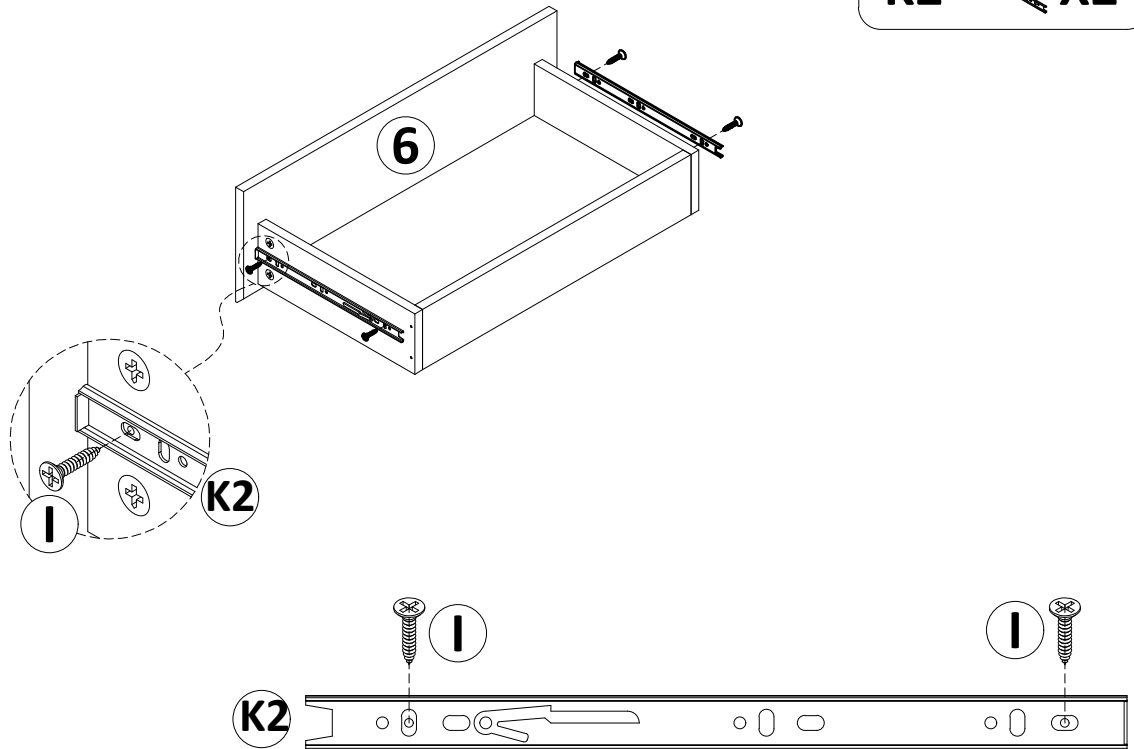


Note: Ensure the beveled edge of Panel 6 faces downward.

## Step 11


Attach the K2(inner rails) to both sides of the drawer using the #1 (screws).

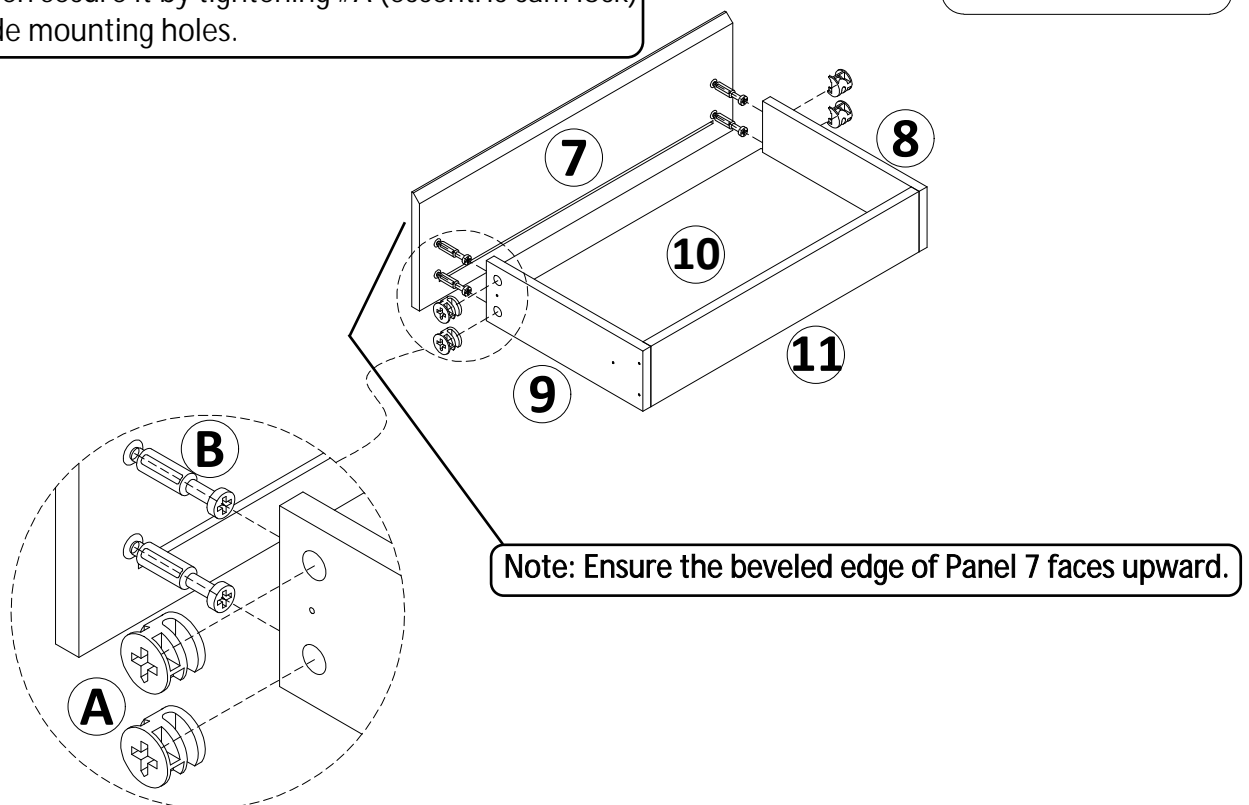
**I**  **X4**  
**K2**  **X2**



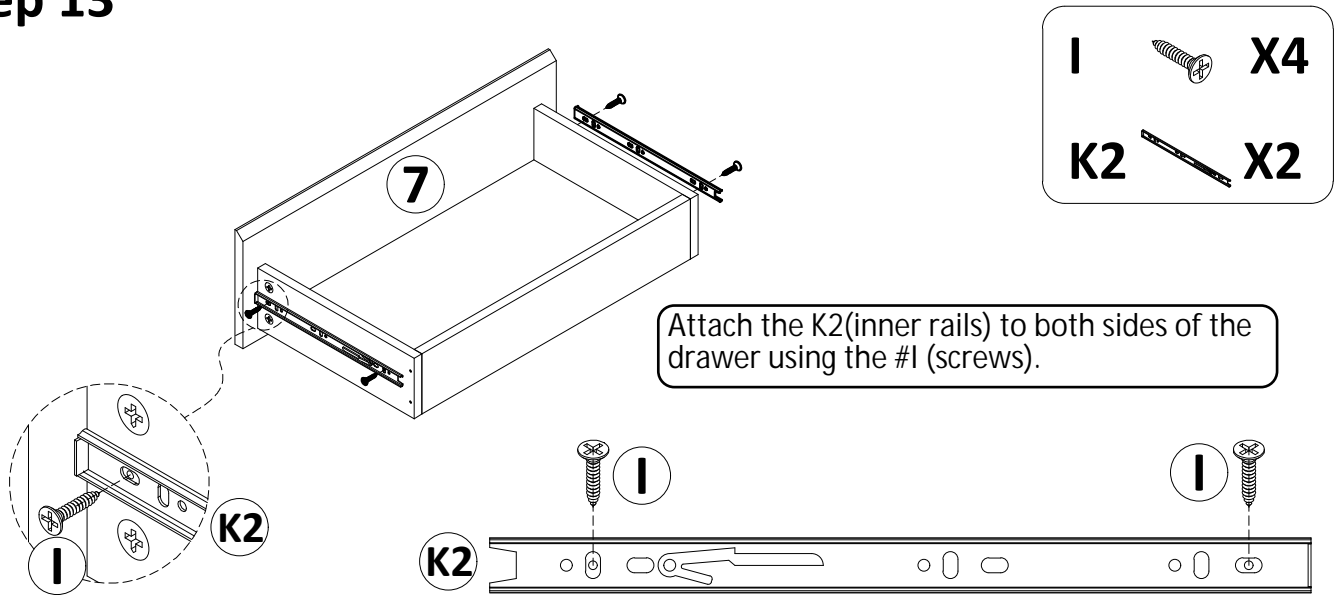
## Step 12

Install Panel 7(drawer front) with the beveled edge facing upward, then secure it by tightening #A (eccentric cam lock) into the side mounting holes.

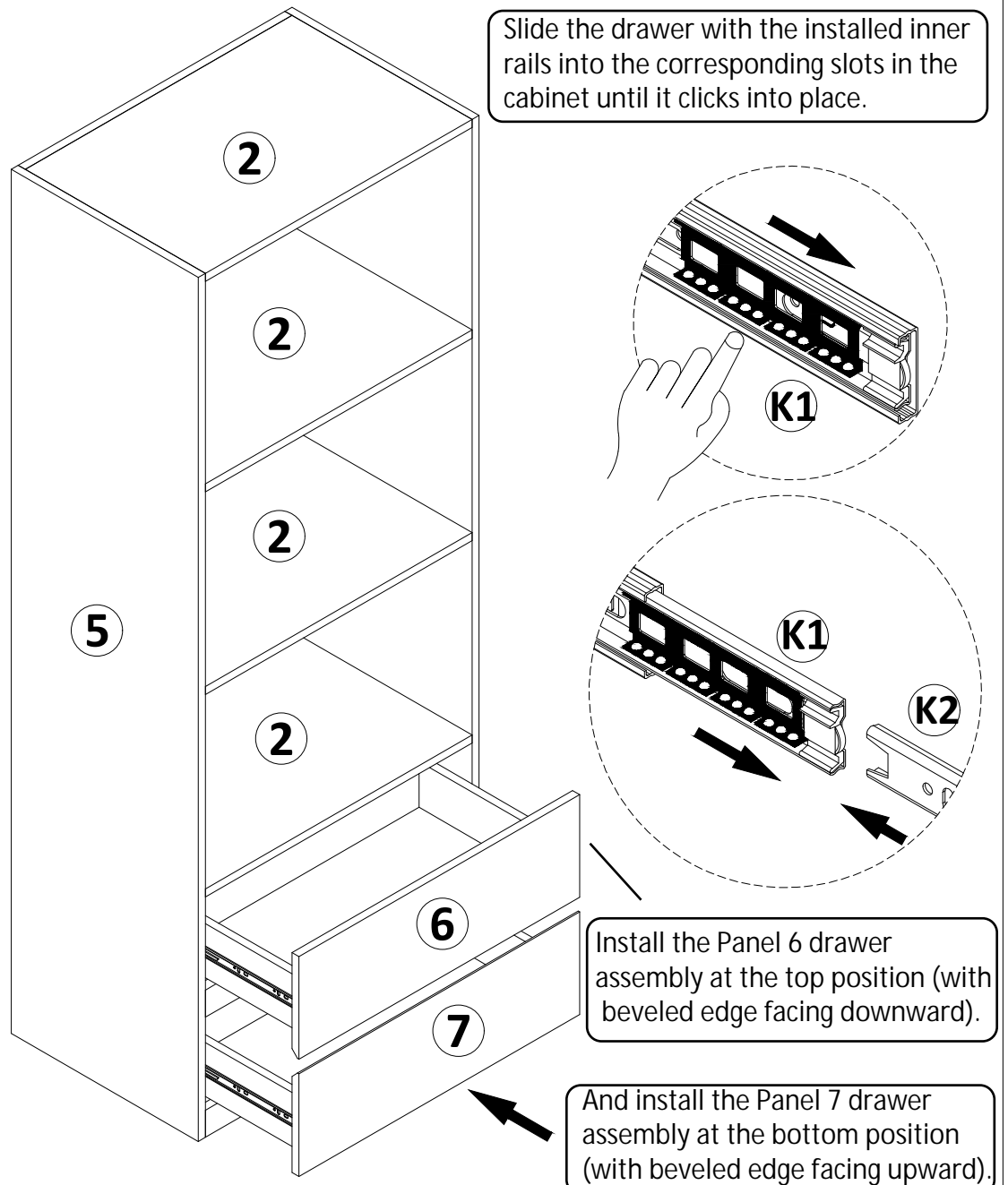
**A**  **X4**



## Step 13

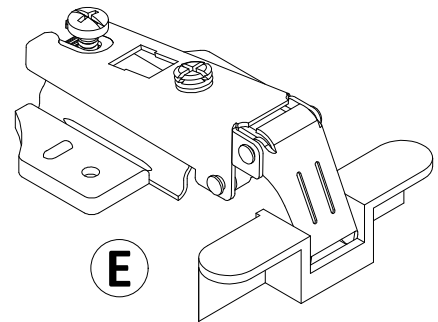
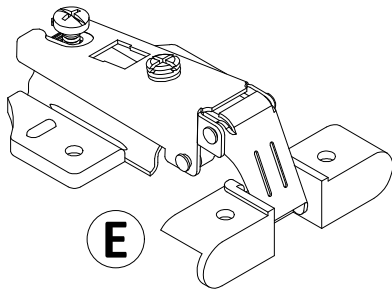


## Step 14



## Step 15

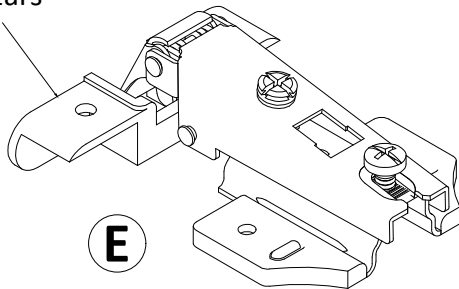
### Door Hinge Deformation Instruction



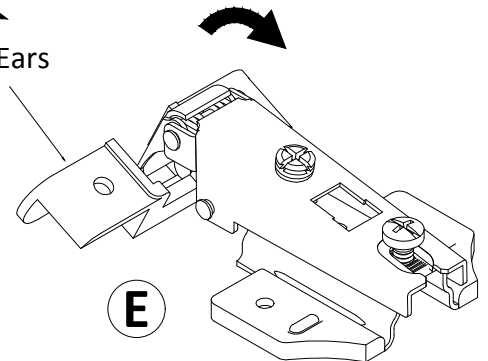
Before installing the door hinge, you need to take a small step to help the door hinge fit better into the door frame slot.

#### 1. Original Shape

Metal Ears

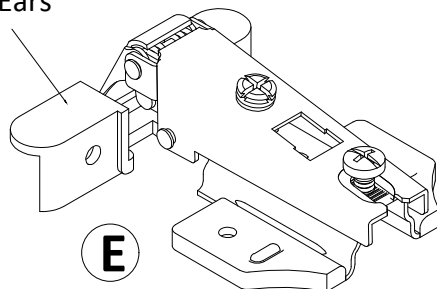


Metal Ears



2. Pull the metal ears back with your hands, and the door hinge will automatically deform.

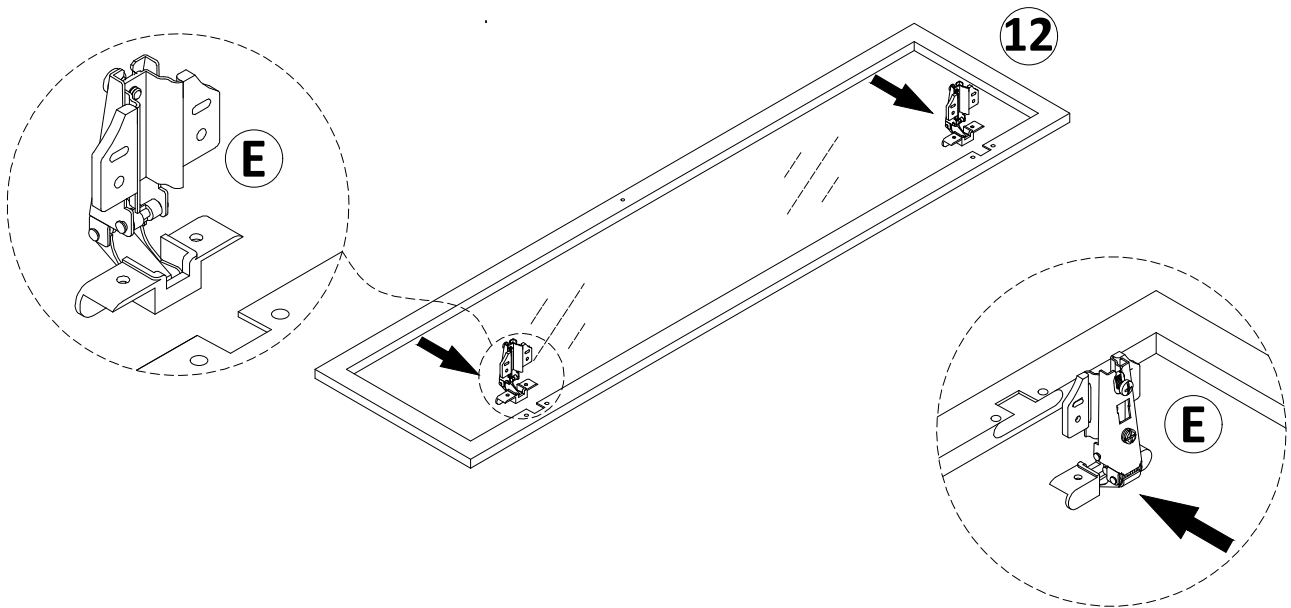
Metal Ears



3. Complete the transformation.

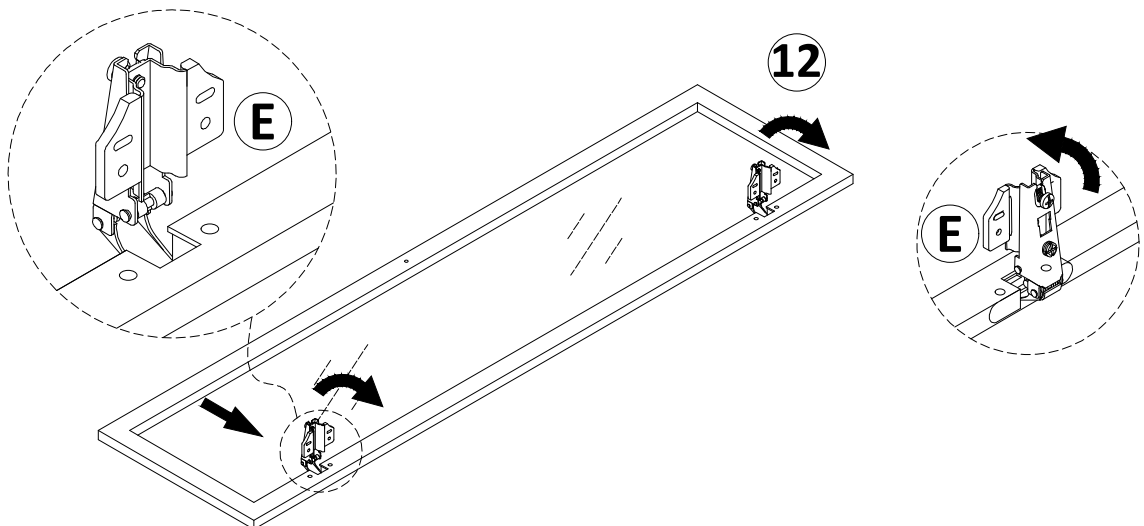
## Step 16

Orient the door hinges as shown before securing.





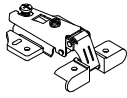

## Step 17

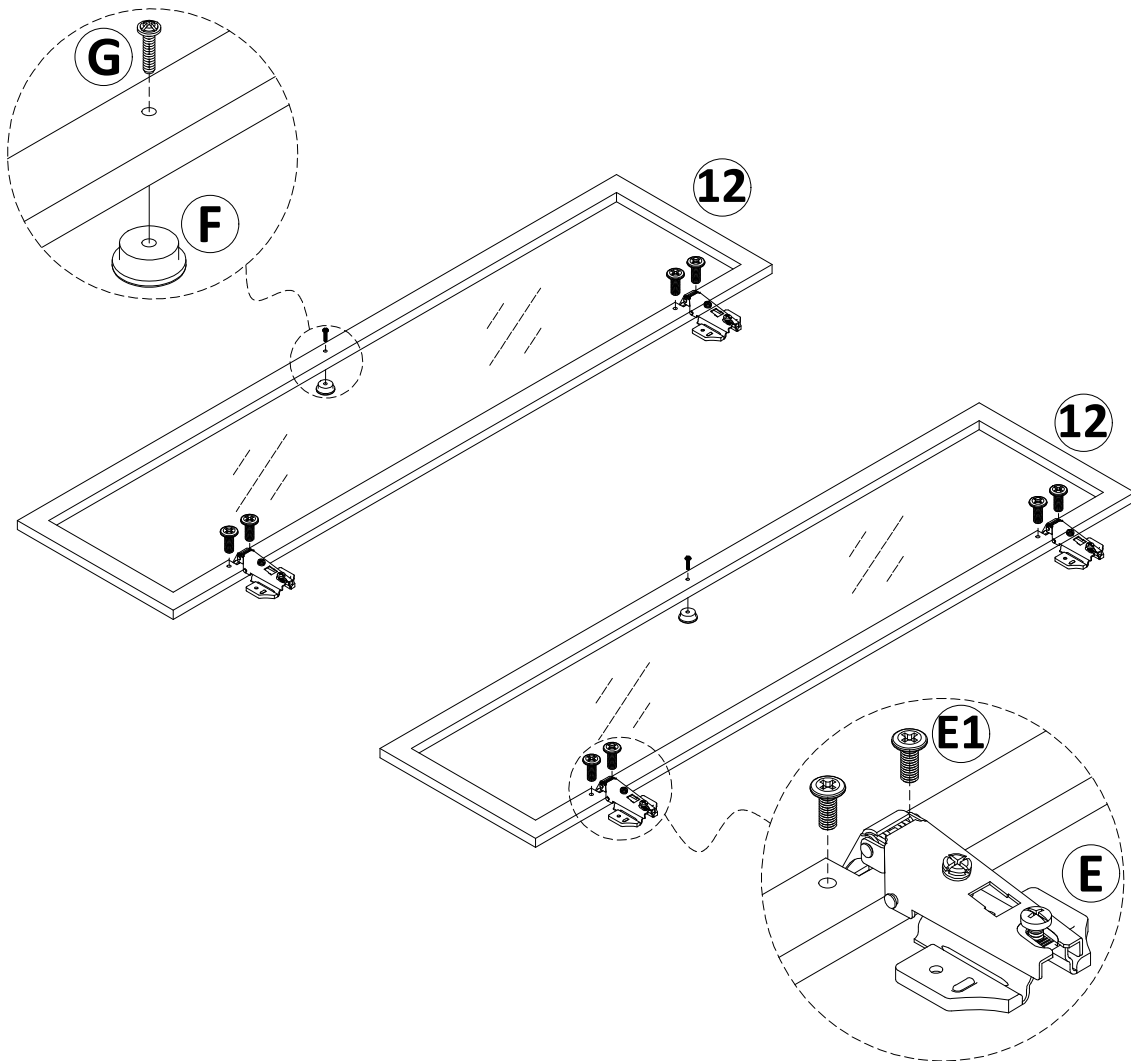
Mount the door hinges to the designated positions on the glass door as illustrated.



# Step 18


Use the E1 screws to attach the hinge to the designated position on the glass door. Then, use the #G (screws) to install the F (door handle) onto the door.

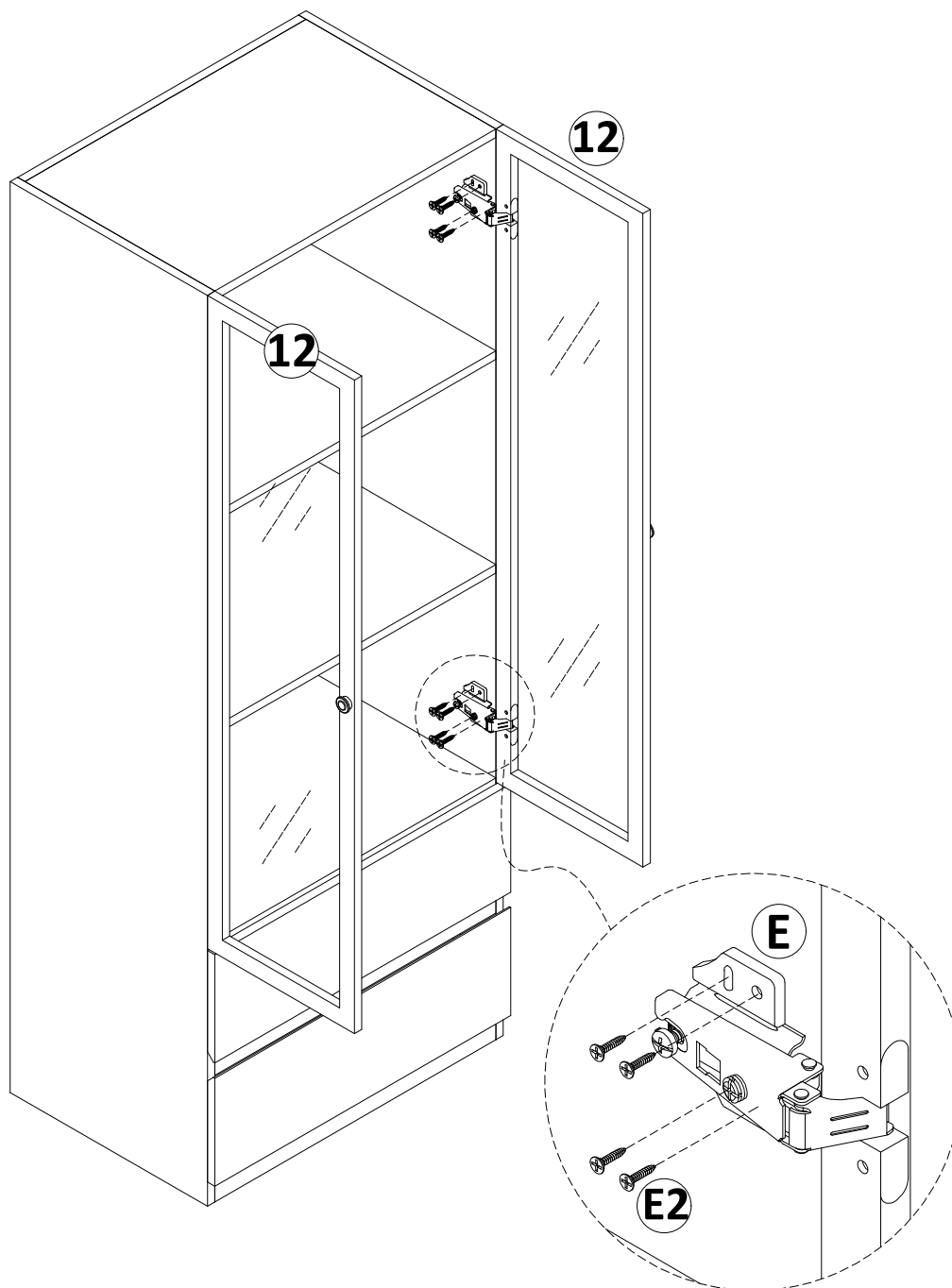
- G**  **X2**
- F**  **X2**
- E**  **X4**
- E1**  **X8**



## Step 19

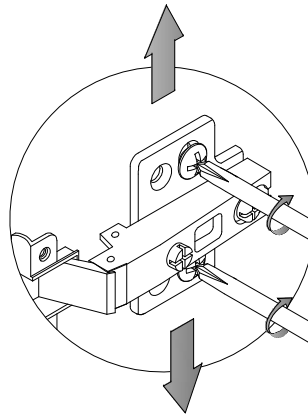
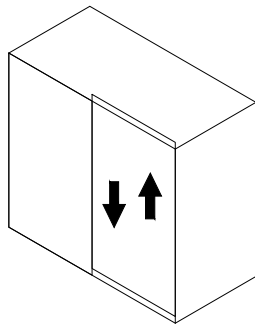
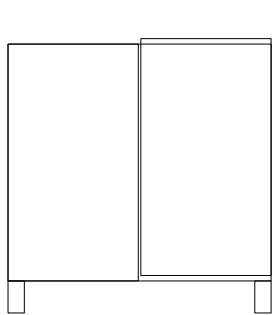
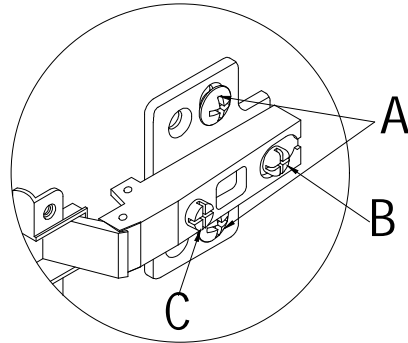
Using #E2 (screws) attach the glass door with installed hinges to the cabinet body.

E2  X16



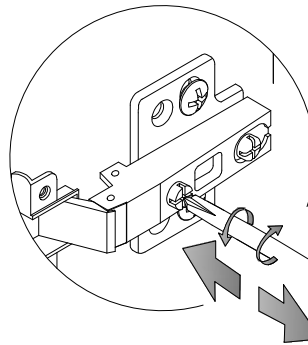
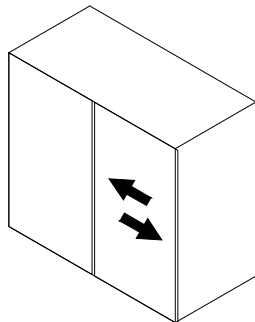
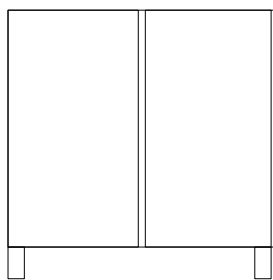
## Step 20

# Hinge Adjustment Diagram



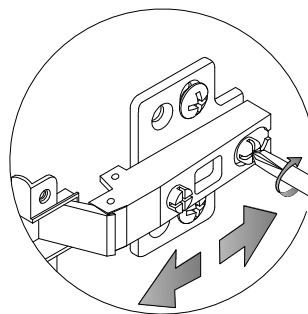
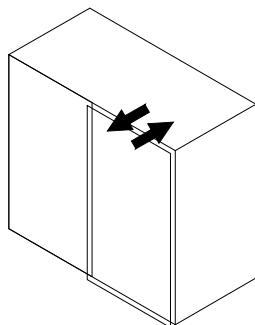
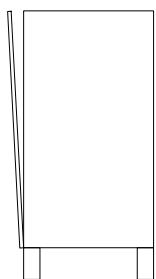
### To adjust the vertical height.

Loosen the four screws labeled 'A' on both hinges. Two of these screws are usually in slotted holes, allowing for adjustment up or down by a few mm. After making the adjustment, tighten the screws back into place.



### To adjust depth.

Loosen screw 'B' and adjust the door. If the door cannot be adjusted, loosen screw 'C' and try adjusting again. Once adjusted, tighten screws 'B' and 'C'.

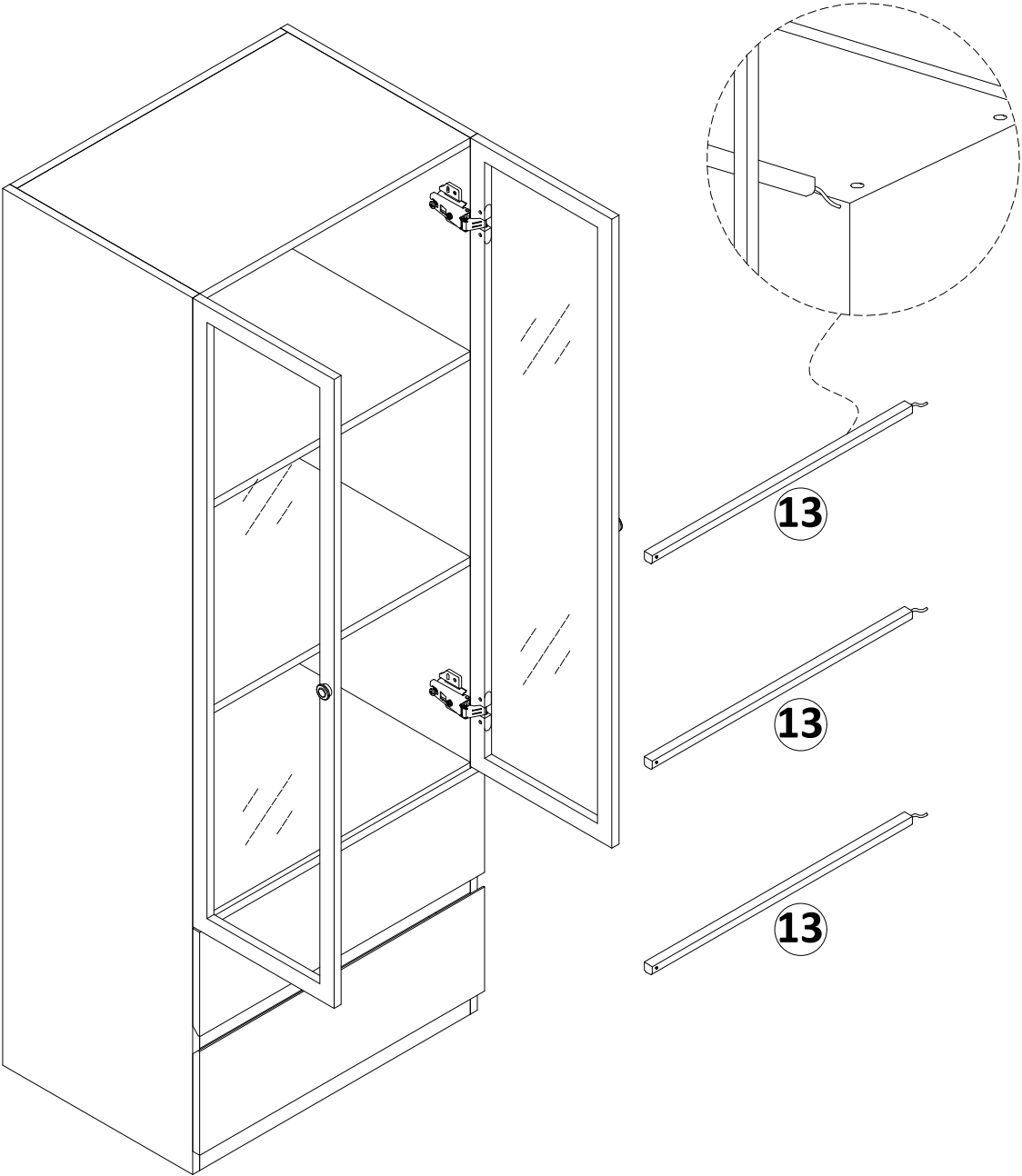


### To adjust side ways.

After loosening the 'C' screw, you can adjust the distance from the door to the cabinet. After the adjustment is completed, tighten the 'C' screw again.

# Step 21

Install the LED light strip inside the cabinet.



# Assembly Completed

